



US00D751880S

(12) **United States Design Patent**
Howell

(10) **Patent No.:** **US D751,880 S**
(45) **Date of Patent:** **** Mar. 22, 2016**

- (54) **SPRINKLER TOOL**
- (71) Applicant: **Arza H. Howell**, Salt Lake City, UT (US)
- (72) Inventor: **Arza H. Howell**, Salt Lake City, UT (US)
- (73) Assignee: **Arza H. Howell**, Salt Lake City, UT (US)
- (**) Term: **14 Years**
- (21) Appl. No.: **29/482,858**
- (22) Filed: **Feb. 21, 2014**
- (51) **LOC (10) Cl.** **08-03**
- (52) **U.S. Cl.**
USPC **D8/70**
- (58) **Field of Classification Search**
USPC D8/14, 70, 90, 98; D24/147; D32/35, D32/40, 46, 49; 29/264, 227, 240.5; 81/441, 81/53.2; 172/13, 18, 19, 22, 25; 408/225, 408/227, 211
CPC . B23B 51/0045; F16B 13/002; F16B 13/065; F16B 21/10; F16B 2013/007; Y10T 408/5583
See application file for complete search history.

D248,536 S *	7/1978	Domasin	D8/21
4,209,903 A *	7/1980	Owens	30/302
D297,498 S *	9/1988	Prince	D8/9
D334,577 S *	4/1993	Wheat	D15/139
D408,831 S *	4/1999	McGregor	D15/139
6,349,624 B1 *	2/2002	Fahringer	81/441
D540,632 S *	4/2007	Wong	D8/14
D541,606 S *	5/2007	Griffin et al.	D8/1
2011/0038678 A1 *	2/2011	Cousineau	408/81

* cited by examiner

Primary Examiner — Philip S Hyder

Assistant Examiner — Darlington Ly

(74) *Attorney, Agent, or Firm* — Workman Nydegger

(57) **CLAIM**

The ornamental design for a sprinkler tool, as shown and described.

DESCRIPTION

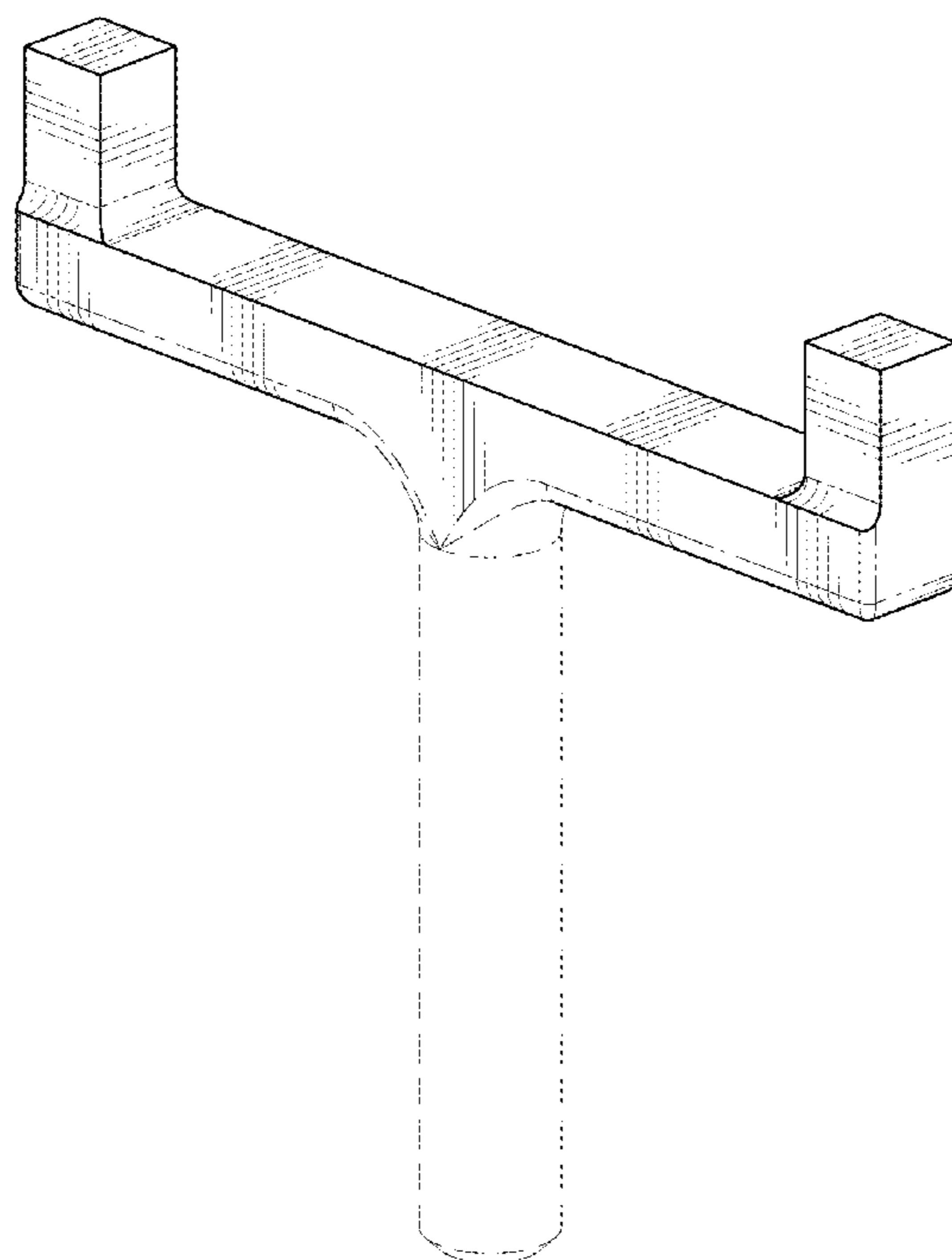
FIG. 1 is a perspective view of a sprinkler tool as used with a handheld drill;
 FIG. 2 is a perspective view thereof;
 FIG. 3 is a front elevational view thereof, a rear elevational view being a mirror image;
 FIG. 4 is a right side elevational view thereof, a left side elevational view being a mirror image;
 FIG. 5 is a bottom plan view thereof; and,
 FIG. 6 is a top plan view thereof.
 The broken lines in the drawings illustrate portions of the sprinkler tool and an environmental handheld drill that form no part of the claimed design.

1 Claim, 4 Drawing Sheets

(56) **References Cited**

U.S. PATENT DOCUMENTS

2,691,823 A *	10/1954	Dombrowski	30/300
2,809,864 A *	10/1957	Carr	239/201
D211,483 S *	6/1968	Terwilliger	D8/16
D242,894 S *	1/1977	Harris	D8/8



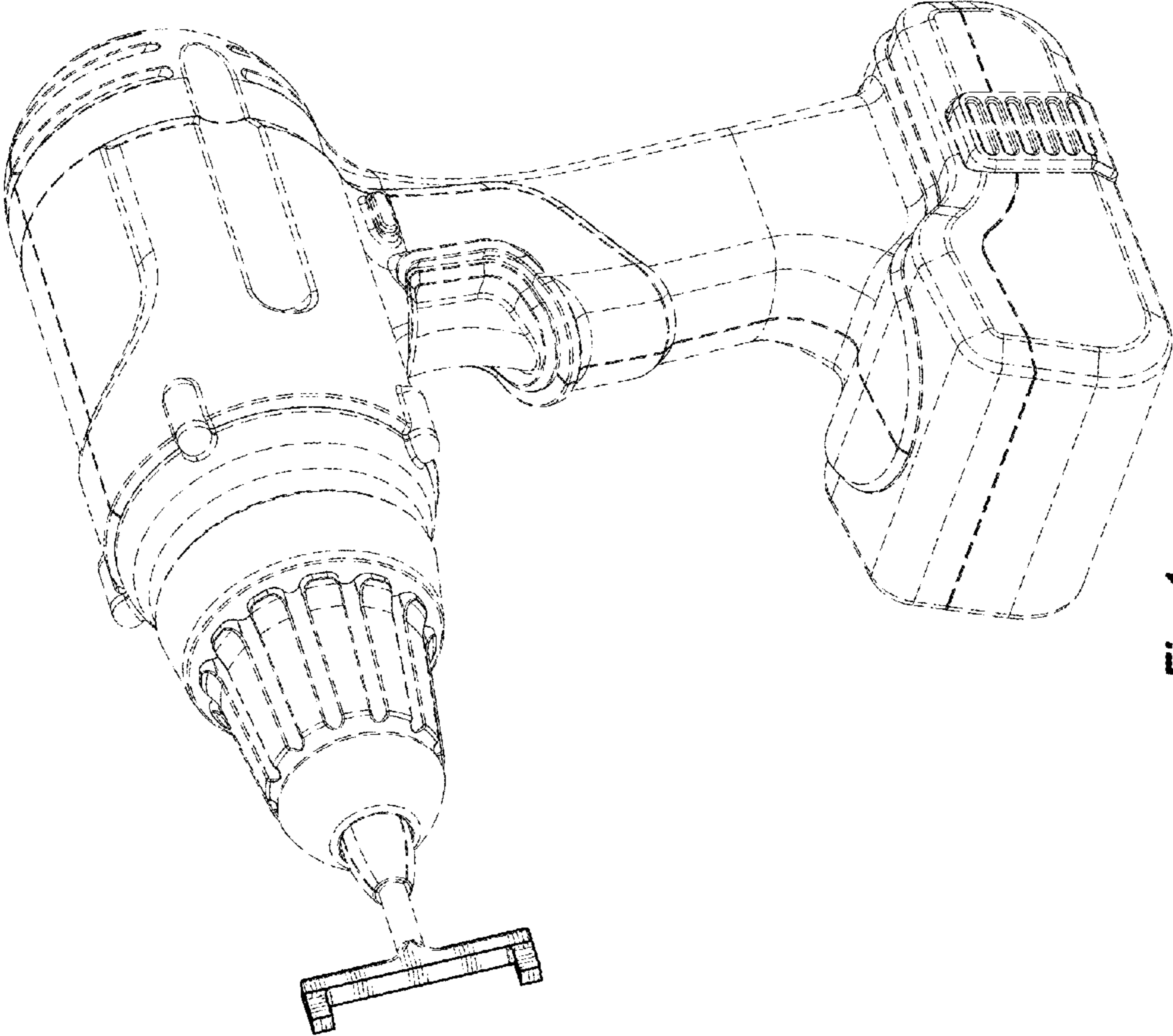


Fig. 1

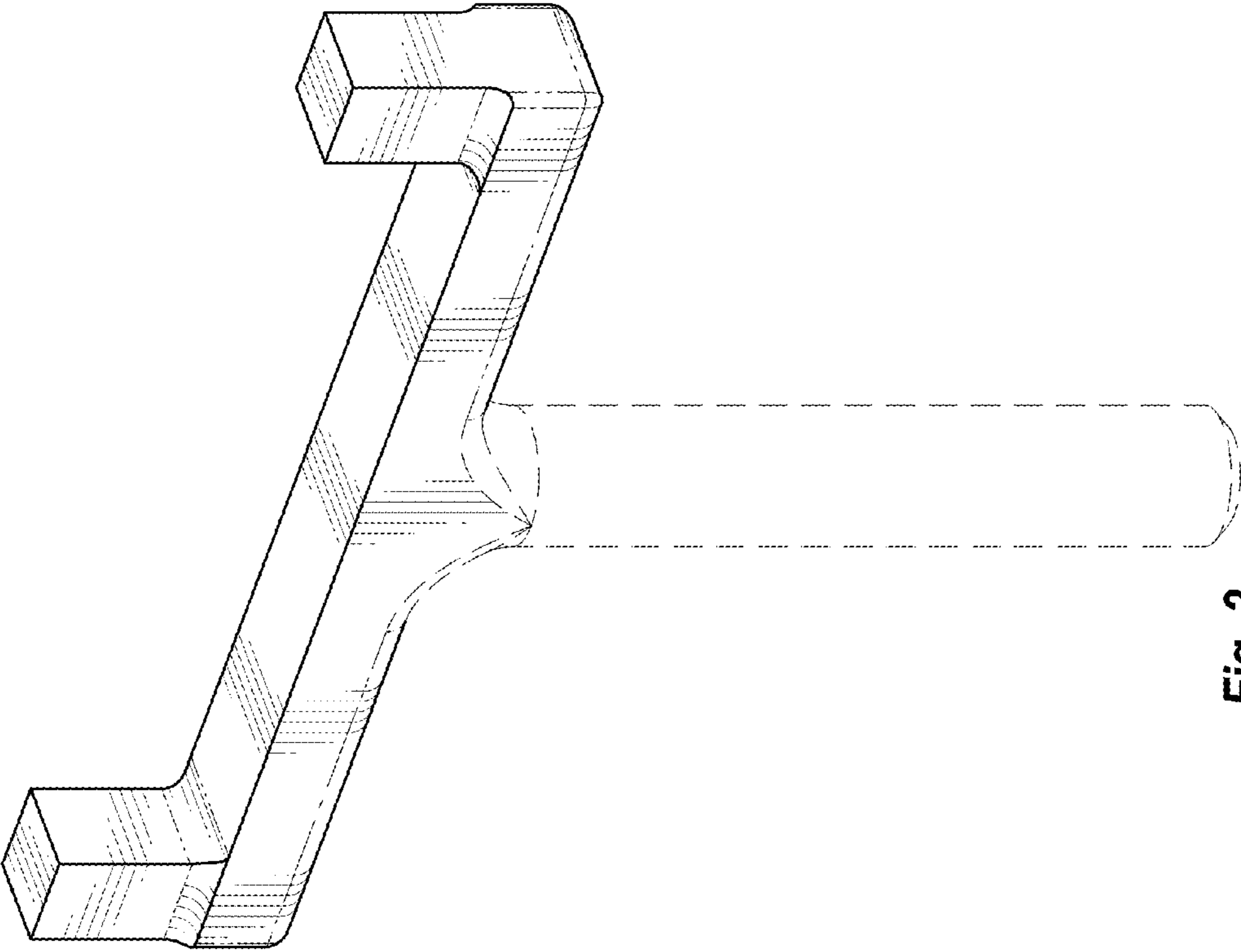


Fig. 2

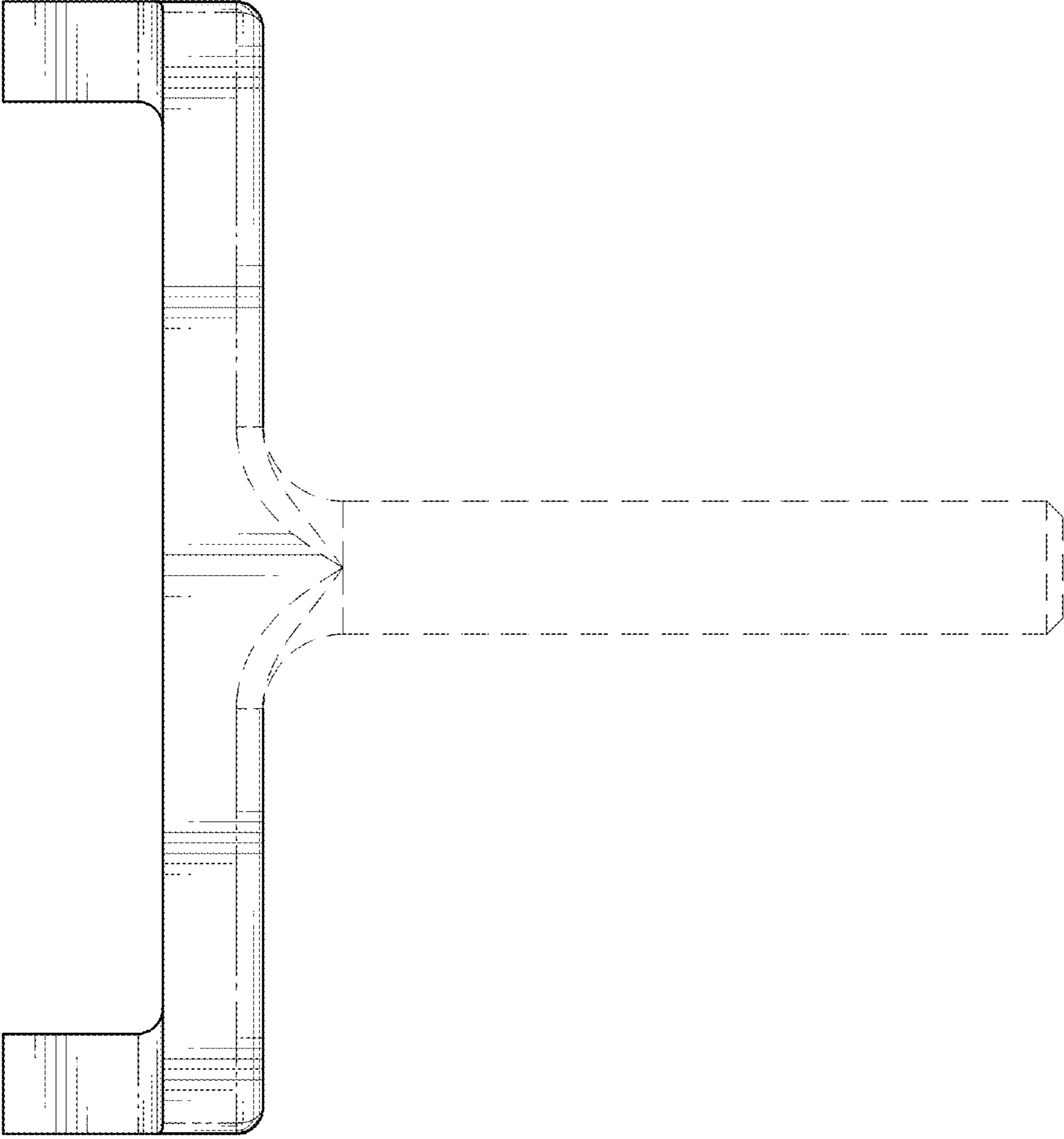


Fig. 3



Fig. 4

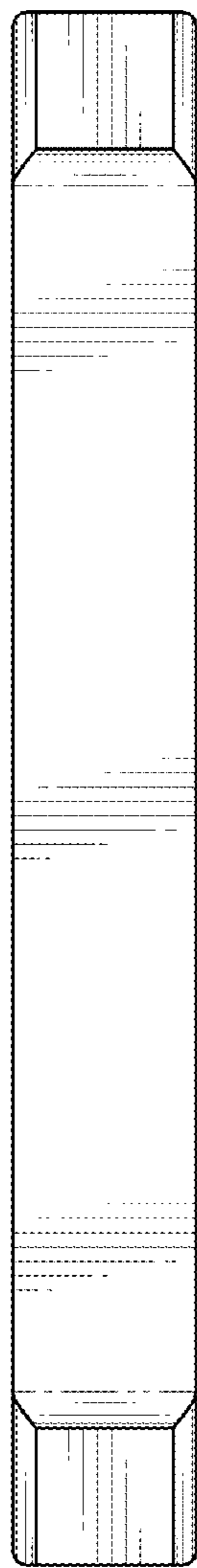


Fig. 5

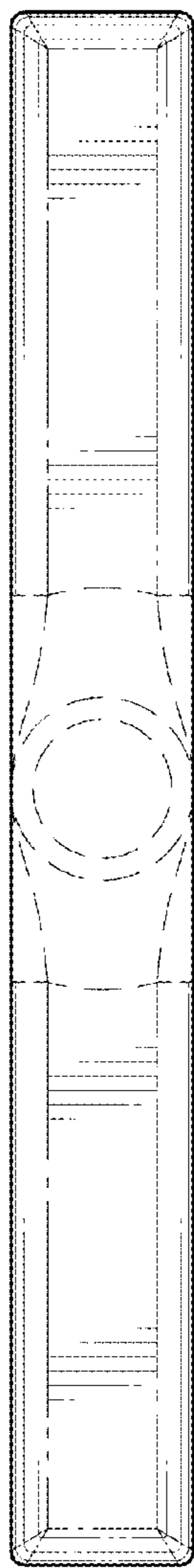


Fig. 6