



US00D751876S

(12) **United States Design Patent**  
**Herman et al.**

(10) **Patent No.:** **US D751,876 S**  
(45) **Date of Patent:** **\*\* Mar. 22, 2016**

- (54) **DISPENSING TOOL**
- (71) Applicant: **Meritool, LLC**, Salamanca, NY (US)
- (72) Inventors: **Timm Herman**, Ellicotville, NY (US);  
**Kevin Whited**, Little Valley, NY (US)
- (73) Assignee: **Meritool LLC**, Ellicotville, NY (US)
- (\*\*) Term: **14 Years**

- 5,211,312 A 5/1993 Chang
- 5,244,406 A 9/1993 Vranish
- 5,370,271 A 12/1994 Segatz
- 5,375,740 A 12/1994 Umetsu et al.
- 5,450,988 A 9/1995 Jerdee
- 5,494,368 A 2/1996 Matthews
- 5,556,009 A 9/1996 Motzko
- 5,775,539 A 7/1998 Bates et al.

(Continued)

- (21) Appl. No.: **29/498,424**
- (22) Filed: **Aug. 4, 2014**

**FOREIGN PATENT DOCUMENTS**

- EP 1233210 8/2002
- JP 11333346 12/1999

**OTHER PUBLICATIONS**

European Search Report, 7 pages, dated Nov. 3, 2011 for EP Application No. EP11179374.1.

(Continued)

*Primary Examiner* — Phillip S Hyder  
(74) *Attorney, Agent, or Firm* — Tarolli, Sundheim, Covell & Tummino LLP

**Related U.S. Application Data**

- (60) Division of application No. 29/445,334, filed on Feb. 11, 2013, now Pat. No. Des. 713,233, which is a continuation of application No. 13/193,725, filed on Jul. 29, 2011, now Pat. No. 8,393,501, which is a continuation of application No. 11/973,242, filed on Oct. 5, 2007, now Pat. No. 8,011,538.

(51) **LOC (10) Cl.** ..... **08-05**

(52) **U.S. Cl.**  
USPC ..... **D8/14.1**

(58) **Field of Classification Search**  
USPC ..... D8/14.1; 222/92, 105, 145.1, 160, 325,  
222/326, 327, 386, 391, 567; 74/141.5  
CPC .. B05C 17/01; B05C 17/103; B05C 17/0133;  
B05C 17/005; Y10T 74/1598  
See application file for complete search history.

(57) **CLAIM**  
The ornamental design for a dispensing tool, as shown and described.

**DESCRIPTION**

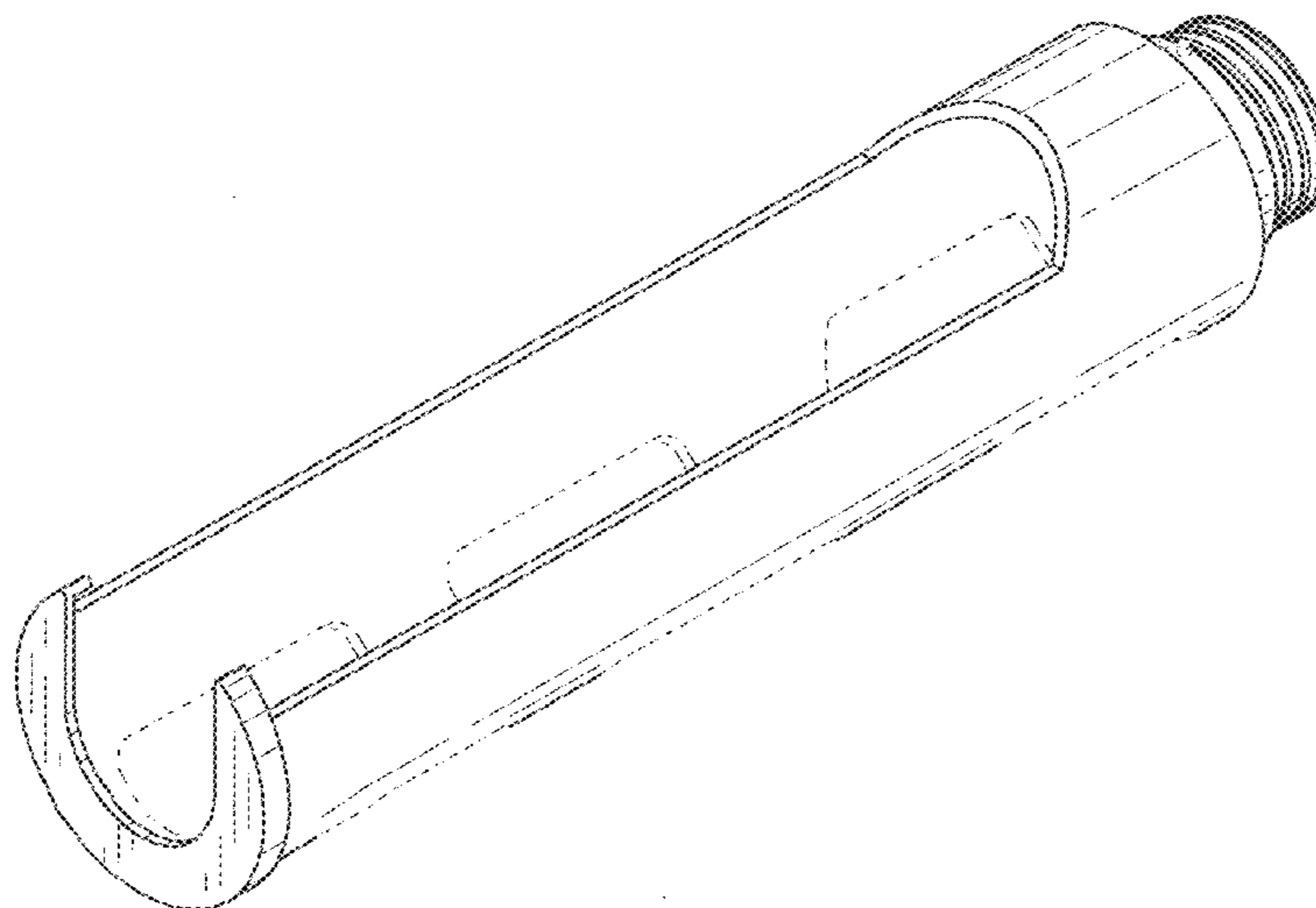
FIG. 1 is a side elevation view of a dispensing tool;  
FIG. 2 is a perspective view thereof;  
FIG. 3 is a first side elevation view thereof;  
FIG. 4 is a second side elevation view thereof;  
FIG. 5 is a top plan view thereof;  
FIG. 6 is a bottom plan view thereof;  
FIG. 7 is a first end elevation view thereof; and,  
FIG. 8 is a second end view thereof.  
The broken lines depict portions of the dispensing tool that form no part of the claimed design.

(56) **References Cited**

**U.S. PATENT DOCUMENTS**

- 3,750,905 A 8/1973 Wolfrom
- 4,135,644 A 1/1979 Pacetti
- 4,260,076 A 4/1981 Bergman
- 4,583,934 A 4/1986 Hata et al.
- 4,669,636 A 6/1987 Miyata
- 4,802,607 A 2/1989 Johnson
- 5,076,473 A 12/1991 Steiner

**1 Claim, 4 Drawing Sheets**



(56)

**References Cited**

U.S. PATENT DOCUMENTS

5,873,970	A	2/1999	Konuma et al.
5,887,765	A	3/1999	Broesamle
5,909,830	A	6/1999	Bates et al.
6,286,729	B1	9/2001	Lin
6,701,828	B1	3/2004	Burns et al.
6,745,921	B2	6/2004	Beckett
6,752,293	B2	6/2004	So
D505,306	S	5/2005	Gaddy
6,889,872	B2	5/2005	Herman et al.
6,926,177	B1	8/2005	Scott et al.
7,063,240	B1	6/2006	Niswonger
7,192,267	B2	3/2007	Glucksman et al.
D548,551	S	8/2007	Lopano et al.
D640,517	S	6/2011	Rumrill et al.
8,011,538	B2	9/2011	Herman et al.
D654,768	S	2/2012	Rumrill et al.
D659,492	S	5/2012	Sabodish et al.
2002/0036214	A1	3/2002	Rousselet et al.
2002/0117016	A1	8/2002	Beckett
2005/0051571	A1	3/2005	Carruth et al.
2008/0083845	A1	4/2008	Lind et al.
2009/0277970	A1	11/2009	Lind et al.
2009/0302055	A1	12/2009	Cadden et al.
2011/0155758	A1	6/2011	Johnson

OTHER PUBLICATIONS

International Search Report, 7 pages, dated Jun. 10, 2008 for International Application No. PCT/US2007/024785.

Milwaukee 14.4V Cordless Caulk & Adhesive Gun Kits, Online Product Sheet, Jun. 25, 2006 (date according to waybackmachine.com) {Retrieved on May 13, 2008} Retrieved from the Internet <URL:<http://www.mytoolstore.com/milwauke/6562-21.html>>, 6 pages.

Exploded View and Service Parts List for 14.4V Cordless Caulk Gun, Catalog No. 6562-21, Serial No. A63A, 2 pages. To the best of Applicant's knowledge, the product shown and described was on sale in the U.S. more than one-year prior to the filing date of the present application.

Exploded View and Service Parts List for 14.4V Cordless Caulk Gun, Catalog No. 6562-24, Serial No. A93A, 2 pages. To the best of

Applicant's knowledge, the product shown and described was on sale in the U.S. more than one-year prior to the filing date of the present application.

Exploded View and Service Parts List for 14.4V Cordless Caulk Gun, Catalog No. 6562-23, Serial No. A92A, 2 pages. To the best of Applicant's knowledge, the product shown and described was on sale in the U.S. more than one-year prior to the filing date of the present application.

Milwaukee 12 Volt Cordless Caulk and Adhesive Guns Advertisement, 2 pages. To the best of Applicant's knowledge, the product shown and described was on sale in the U.S. more than one-year prior to the filing date of the present application.

Milwaukee Operator's Manual for 14.4V Caulk and Adhesive Gun, 40 pages. To the best of Applicant's knowledge, the product shown and described was on sale in the U.S. more than one-year prior to the filing date of the present application.

Exploded View and Service Parts List for 14.4V Cordless. Caulk Gun, Catalog No. 6562-21, Serial No. A63A, 2 pages. To the best of Applicant's knowledge, the product shown and described was on sale in the U.S. more than one-year prior to the filing date of the present application.

Exploded View and Service Parts List for 14.4V Cordless Caulk Gun, Catalog No. 6562-21, Serial No. A63A, 2 pages. To the best of Applicant's knowledge, the product shown and described was on sale in the U.S. on or before Feb. 1, 2006. Exploded View and Service Parts List for 14.4V Cordless Caulk Gun, Catalog No. 6562-24, Serial No. A93A, 2 pages. This product as shown and described was on sale in the U.S. on or before Feb. 1, 2006.

Exploded View and Service Parts List for 14.4V Cordless Caulk Gun, Catalog No. 6562-24, Serial No. A93A, 2 pages. This product as shown and described was on sale in the U.S. on or before Feb. 1, 2006.

Exploded View and Service Parts List for 14.4V Cordless Caulk Gun, Catalog No. 6562-23, Serial No. A92A, 2 pages. This product as shown and described was on sale in the U.S. on or before Feb. 1, 2006.

Milwaukee 12 Volt Cordless Caulk and Adhesive Guns Advertisement, 2 pages. To the best of Applicant's knowledge, the product shown and described was on sale in the U.S. on or before Feb. 1, 2006.

Milwaukee Operator's Manual for 14.4V Caulk and Adhesive Gun, 40 pages, This product as shown and described was on sale in the U.S. on or before Feb. 1, 2006.

European Search Report, 6 pages, dated Mar. 15, 2010 for EP Application No. EP 07862463.

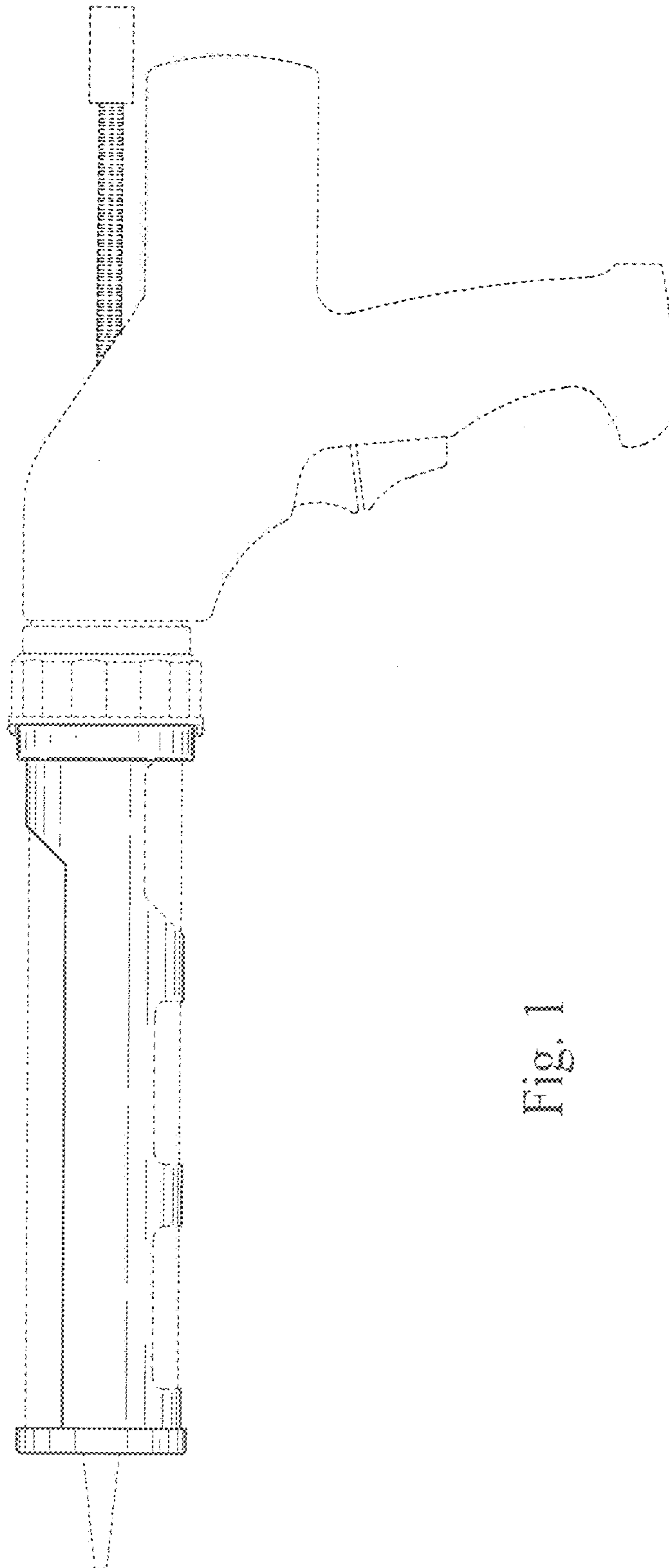


Fig. 1



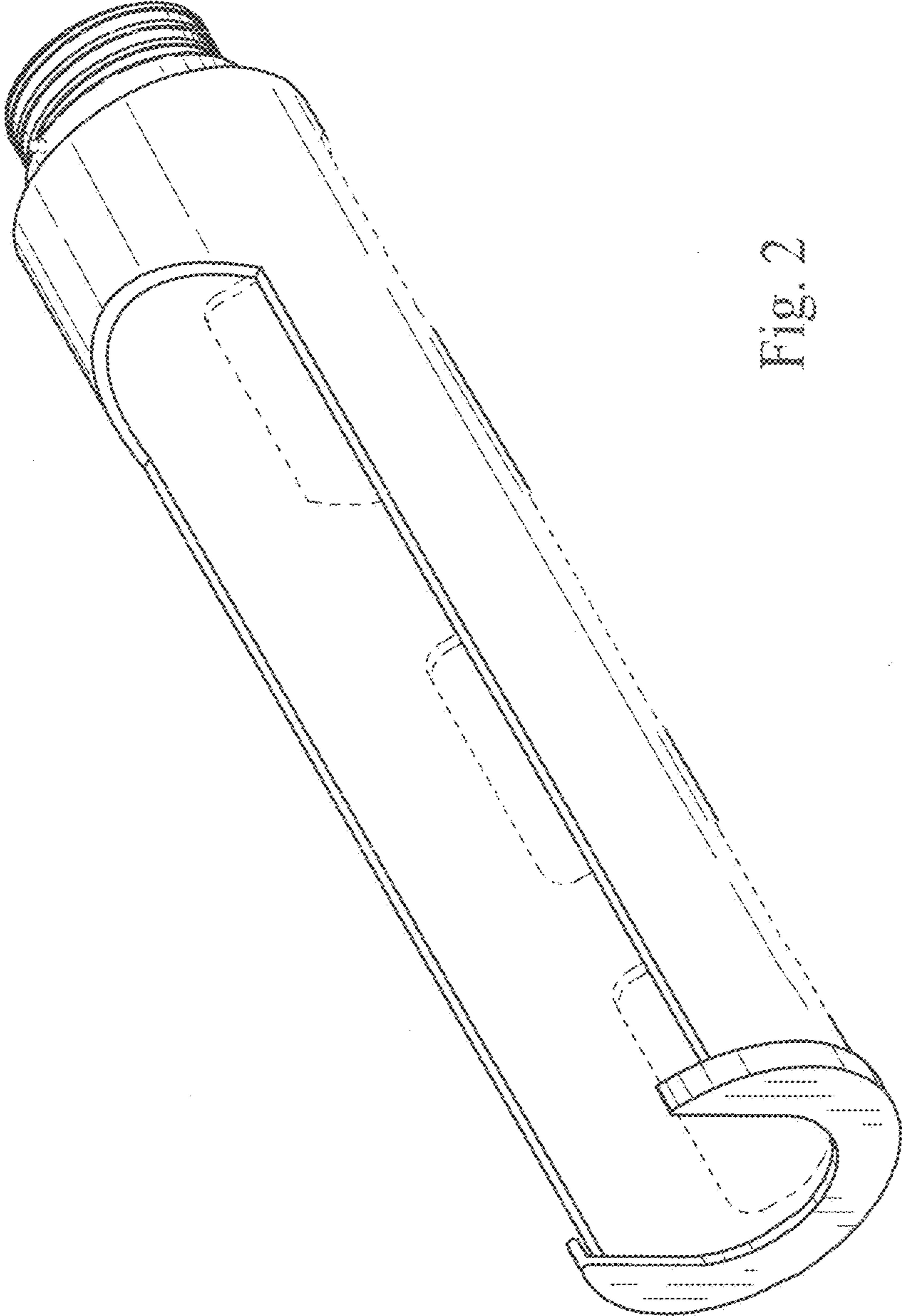


Fig. 2

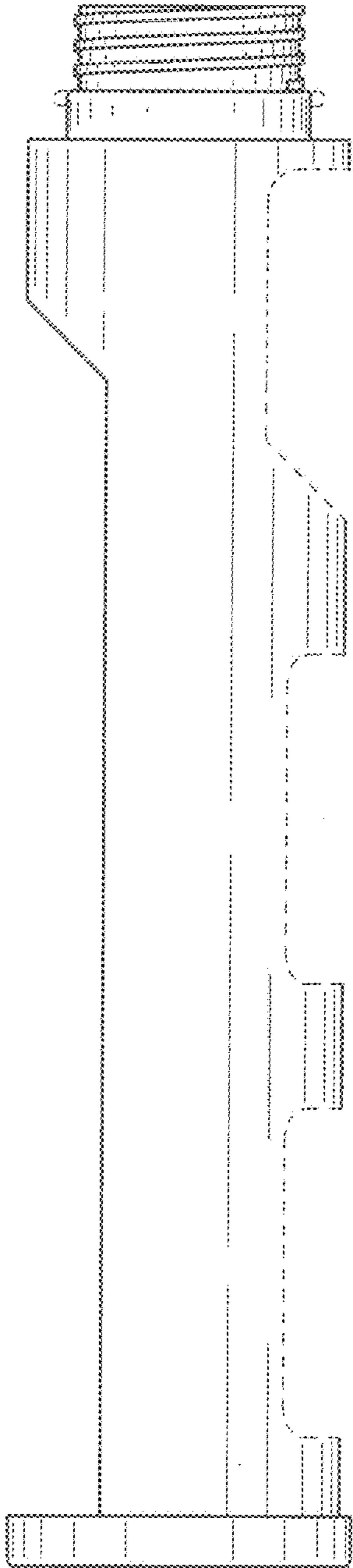


Fig. 3

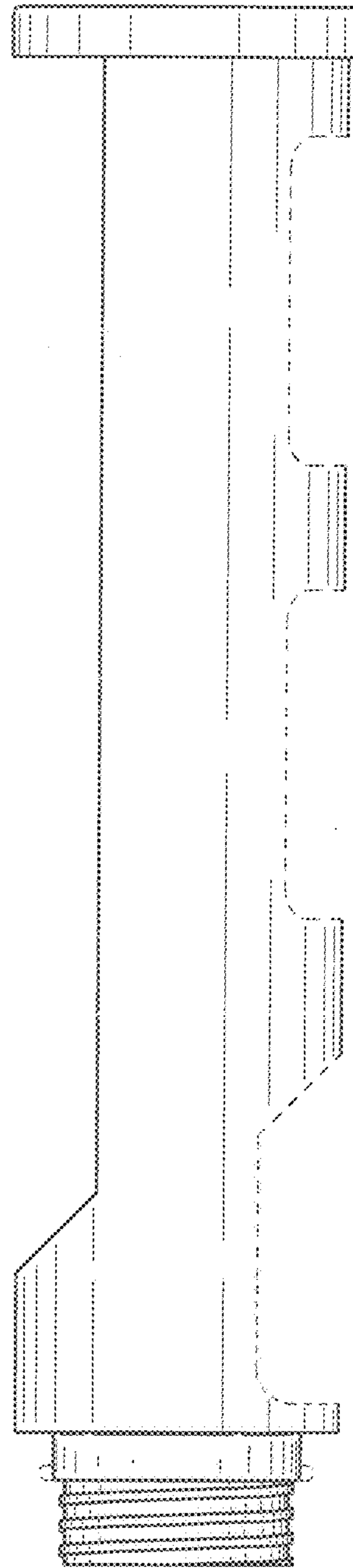


Fig. 4

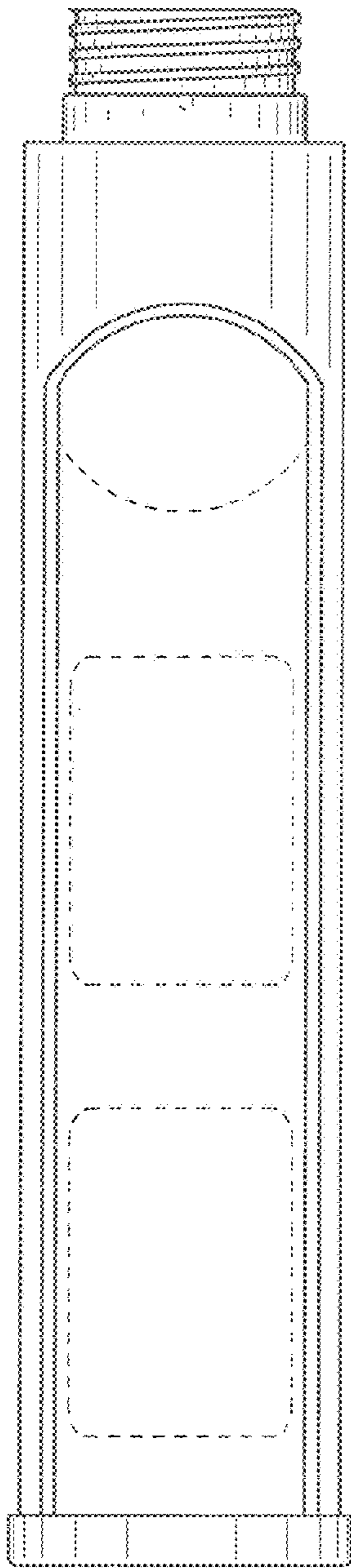


Fig. 5

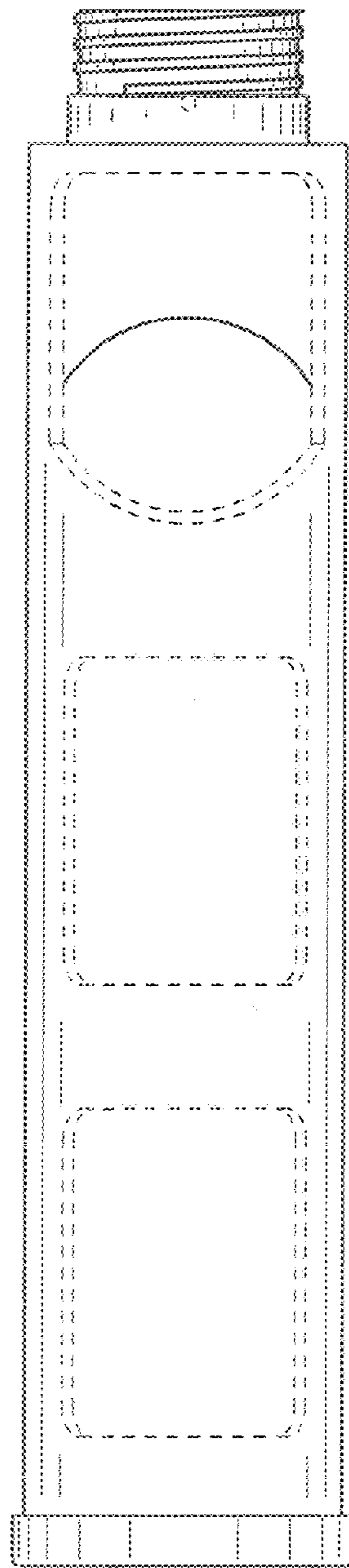


Fig. 6

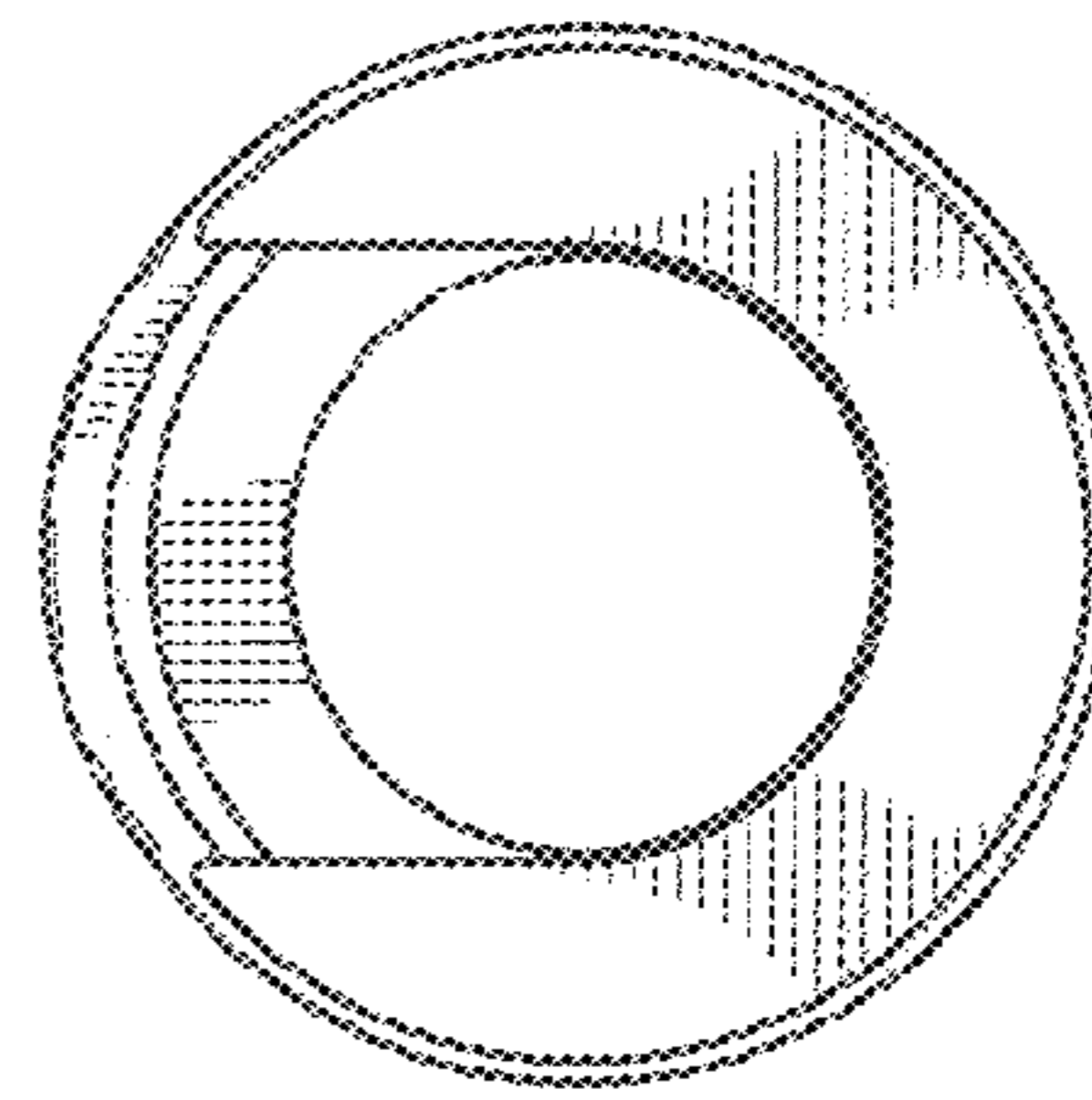


Fig. 7

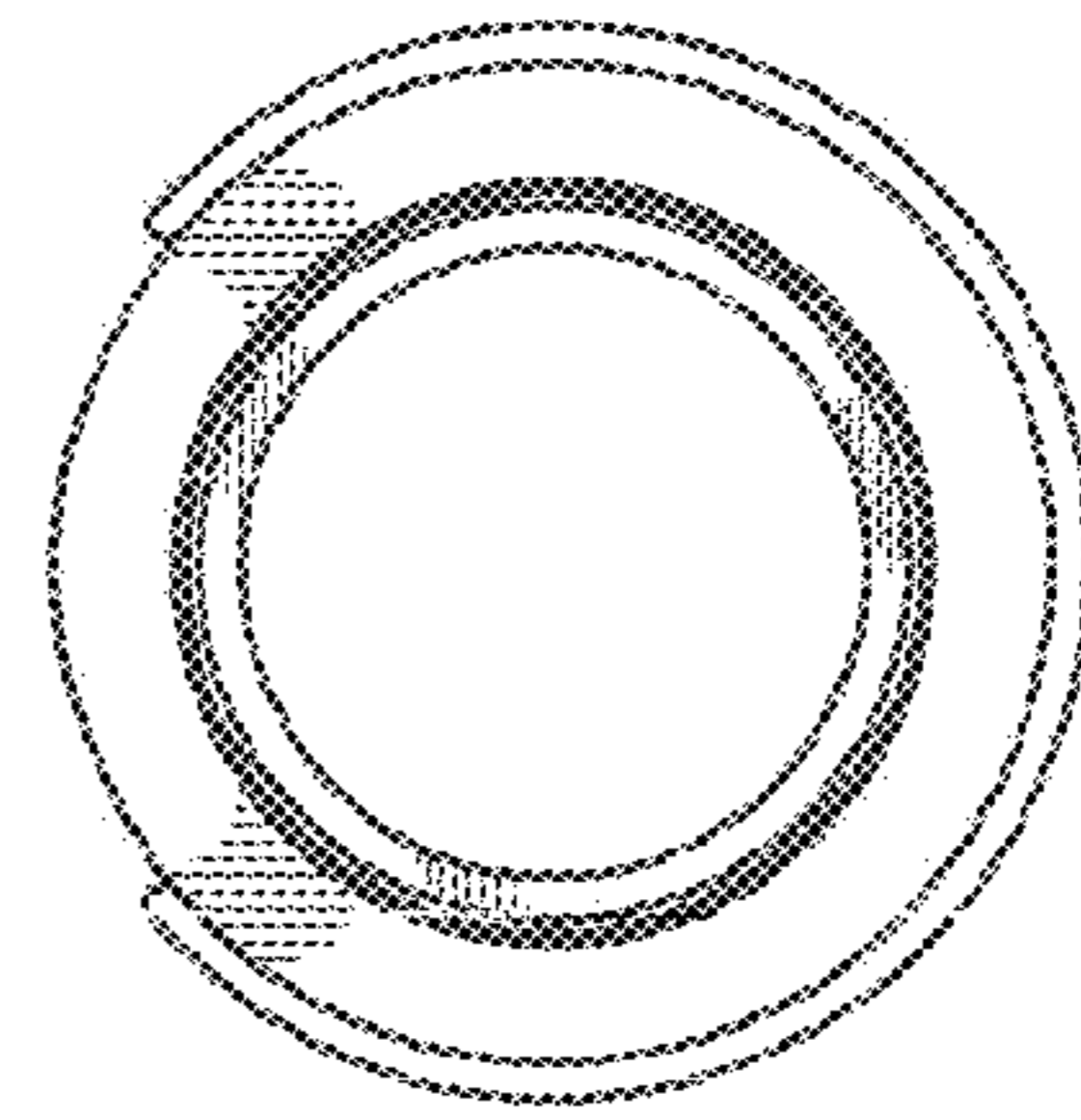


Fig. 8