



US00D751875S

(12) **United States Design Patent**
Eckstein et al.

(10) **Patent No.:** **US D751,875 S**
(45) **Date of Patent:** **** Mar. 22, 2016**

(54) **DISPENSER FOR CURABLE COMPOSITIONS**

(71) Applicant: **SIKA TECHNOLOGY AG**, Baar (CH)

(72) Inventors: **Stefan Eckstein**, Munich (DE);
Christian Schultheiss, Pfäffikon (CH)

(73) Assignee: **Sika Technology AG**, Baar (CH)

(**) Term: **14 Years**

(21) Appl. No.: **29/475,047**

(22) Filed: **Nov. 27, 2013**

(30) **Foreign Application Priority Data**

May 29, 2013 (CH) 139945

(51) **LOC (10) Cl.** **08-05**

(52) **U.S. Cl.**
USPC **D8/14.1**

(58) **Field of Classification Search**
USPC D8/14, 14.1, 29.1, 29.2, 30, 68, 61;
222/333, 390, 327, 386, 389
CPC B05C 17/103; B05C 17/116; B05C 17/01
See application file for complete search history.

(56) **References Cited**

U.S. PATENT DOCUMENTS

5,450,988 A * 9/1995 Jerdee 222/333
D363,405 S * 10/1995 Elliott, Sr. D7/669
6,123,235 A * 9/2000 Hsu 222/327
6,311,871 B1 * 11/2001 Binder 222/145.6
D545,152 S * 6/2007 Lopano et al. D8/14.1
D548,551 S * 8/2007 Lopano et al. D8/14.1
D573,425 S * 7/2008 Post et al. D8/14.1

D635,835 S * 4/2011 Post D8/14.1
8,573,450 B2 * 11/2013 Hsu et al. 222/333
D703,020 S * 4/2014 Zhu et al. D8/68
D719,424 S * 12/2014 Okuda et al. D8/14.1

* cited by examiner

Primary Examiner — Phillip S Hyder

(74) *Attorney, Agent, or Firm* — Buchanan, Ingersoll & Rooney PC

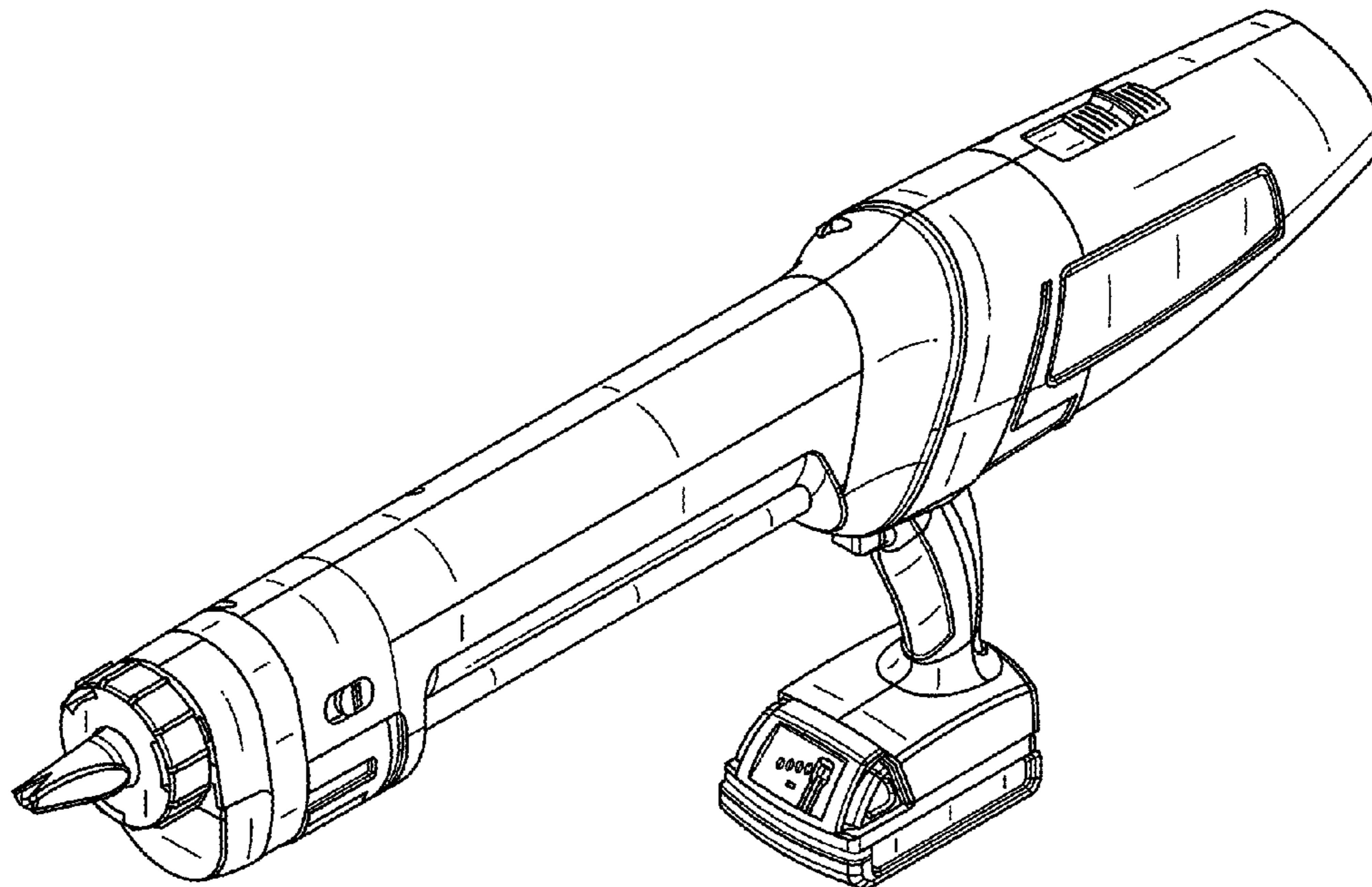
(57) **CLAIM**

The ornamental design for a dispenser for curable compositions, as shown and described.

DESCRIPTION

FIG. 1 is a perspective view of a dispenser for curable compositions showing our new design; FIG. 2 is a front elevational view thereof; FIG. 3 is a rear elevational view thereof; FIG. 4 is a top plan view thereof; FIG. 5 is a bottom plan view thereof; FIG. 6 is a right side elevational view thereof; FIG. 7 is a left side elevational view thereof; FIG. 8 is a perspective view of the dispenser for curable compositions of FIG. 1 with the plunger shown in a retracted position showing our new design; FIG. 9 is a top plan view thereof; FIG. 10 is a bottom plan view thereof; FIG. 11 is a right side elevational view thereof; and, FIG. 12 is a left side elevational view thereof. The broken lines in FIGS. 5 and 10 depict portions of the dispenser in which the design is embodied that are not considered part of the claimed design.

1 Claim, 8 Drawing Sheets



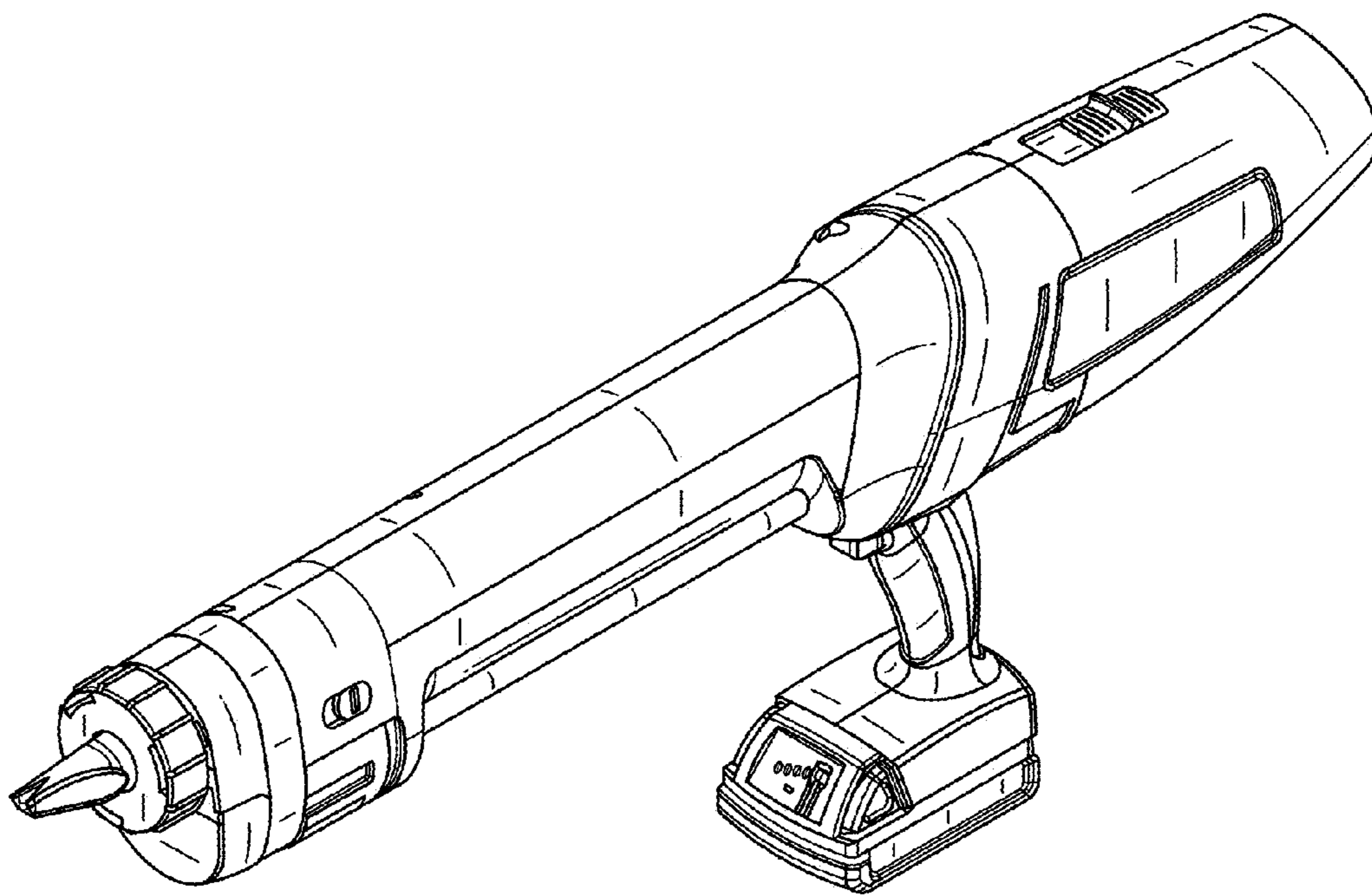


FIG. 1

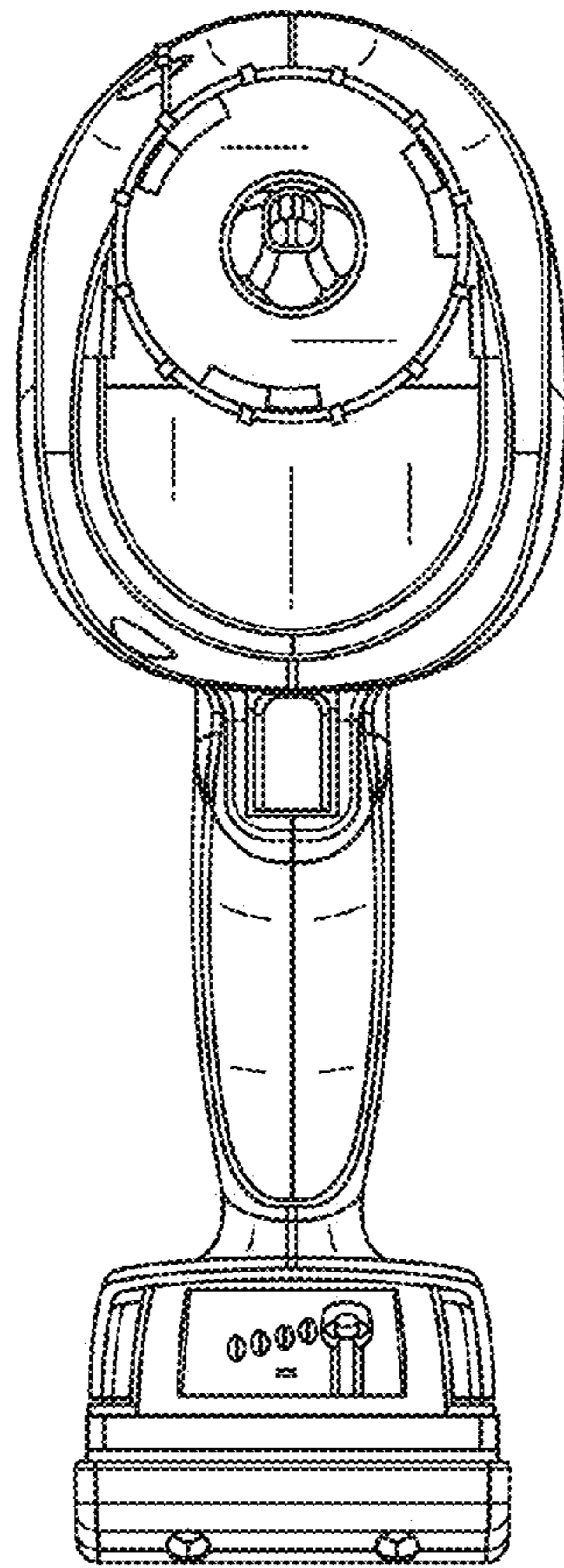


FIG. 2

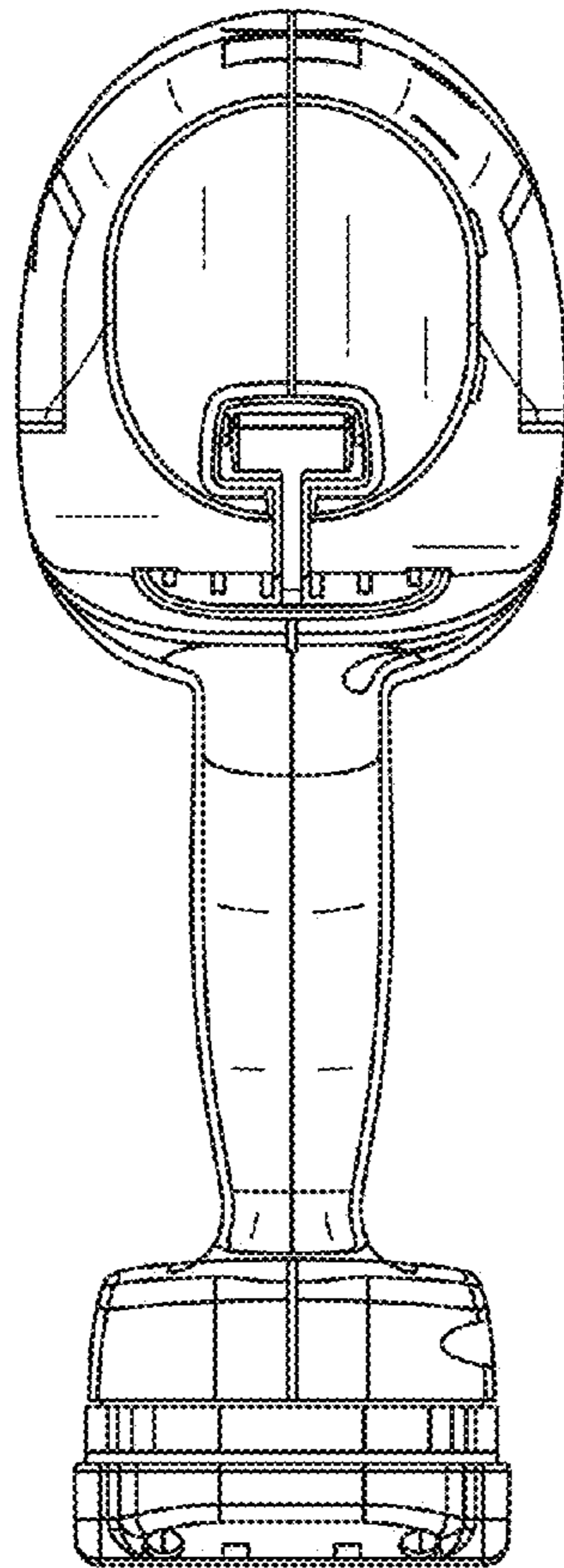


FIG. 3

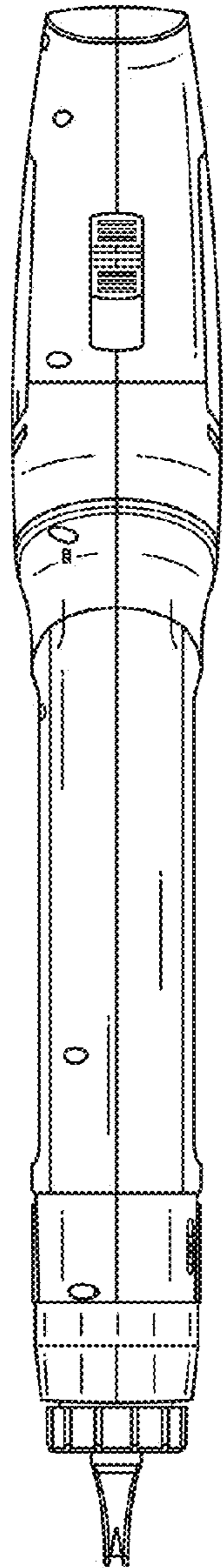


FIG. 4

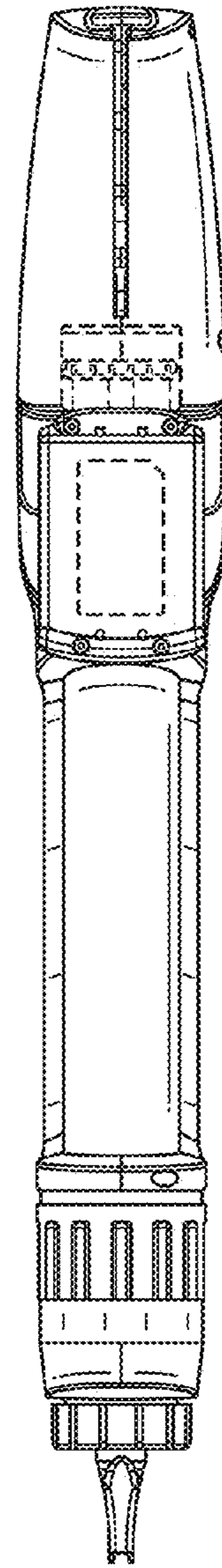


FIG. 5

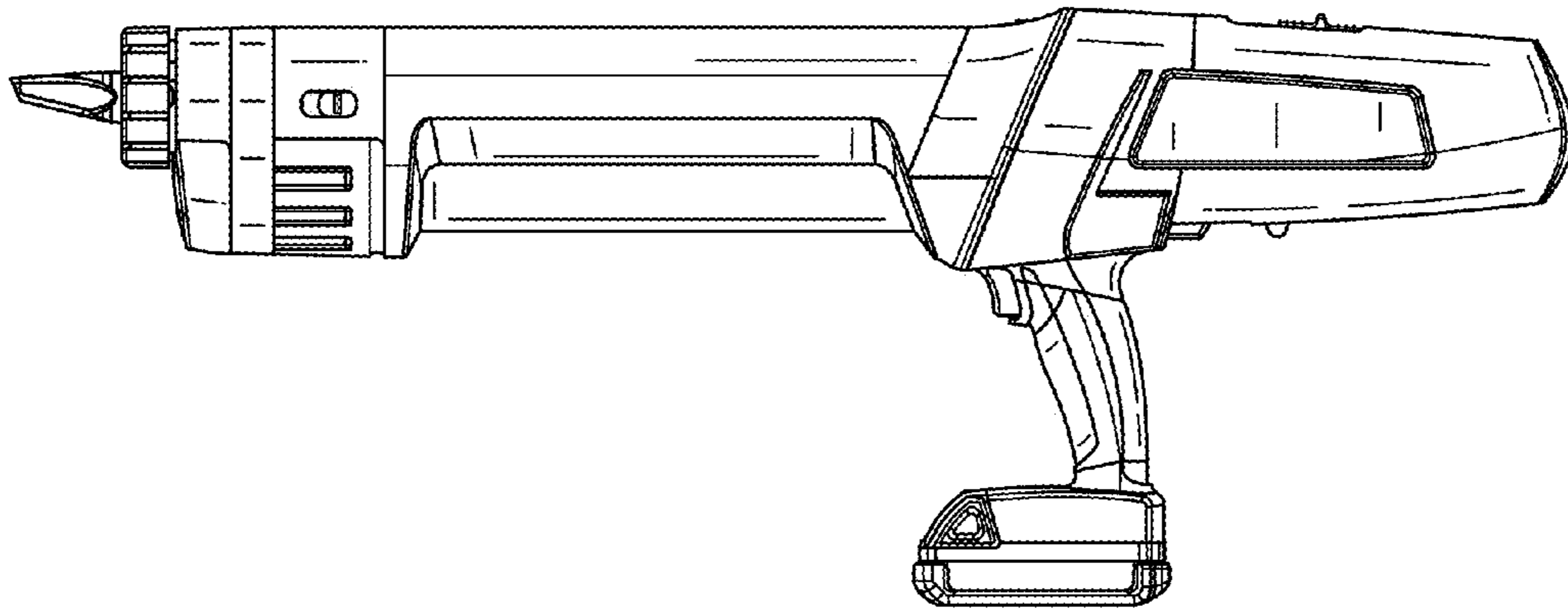


FIG. 6

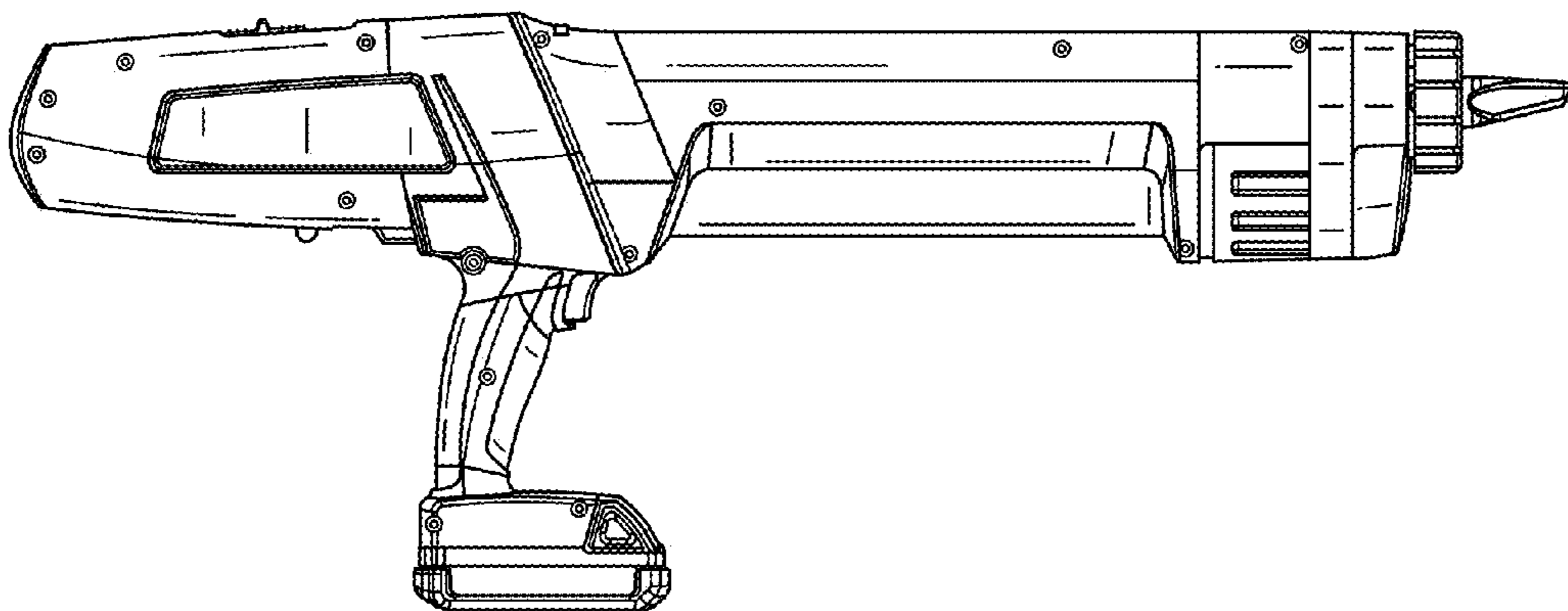


FIG. 7

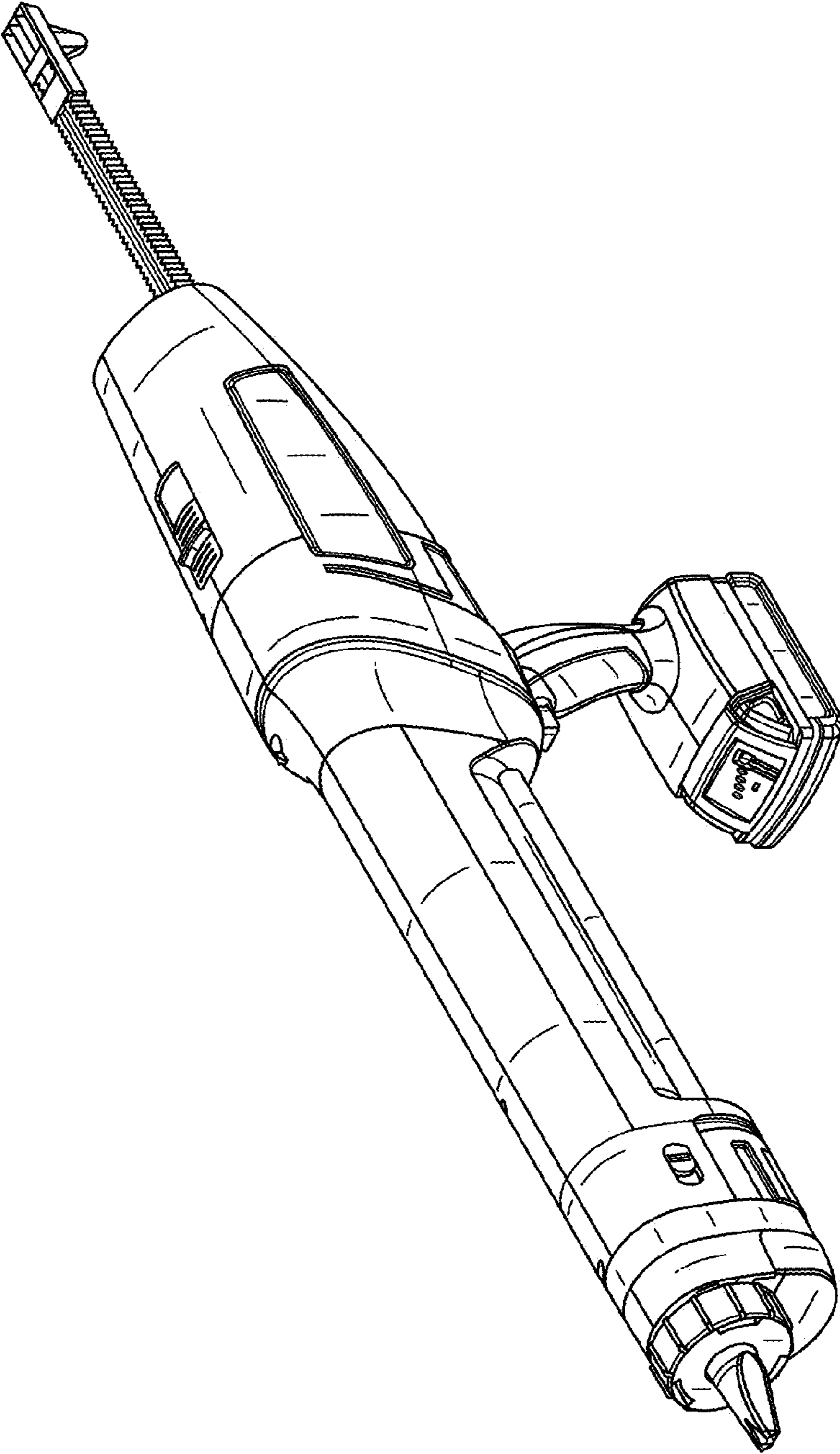


FIG. 8

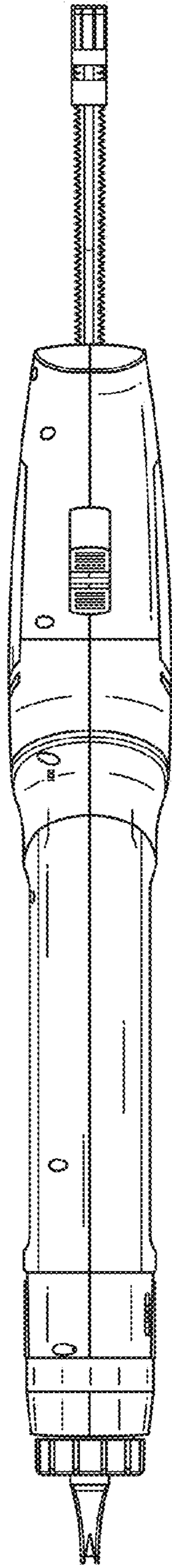


FIG. 9

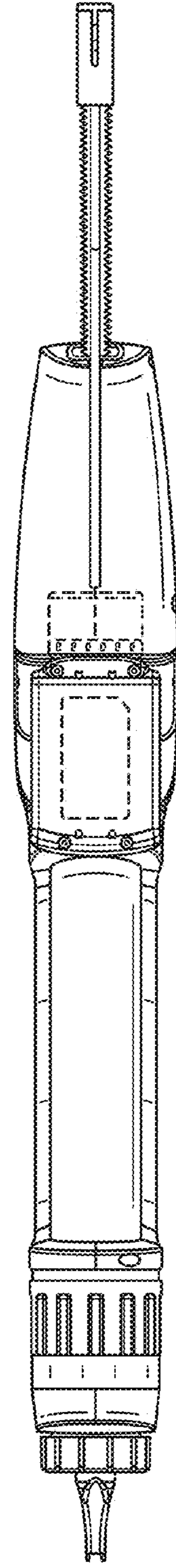


FIG. 10

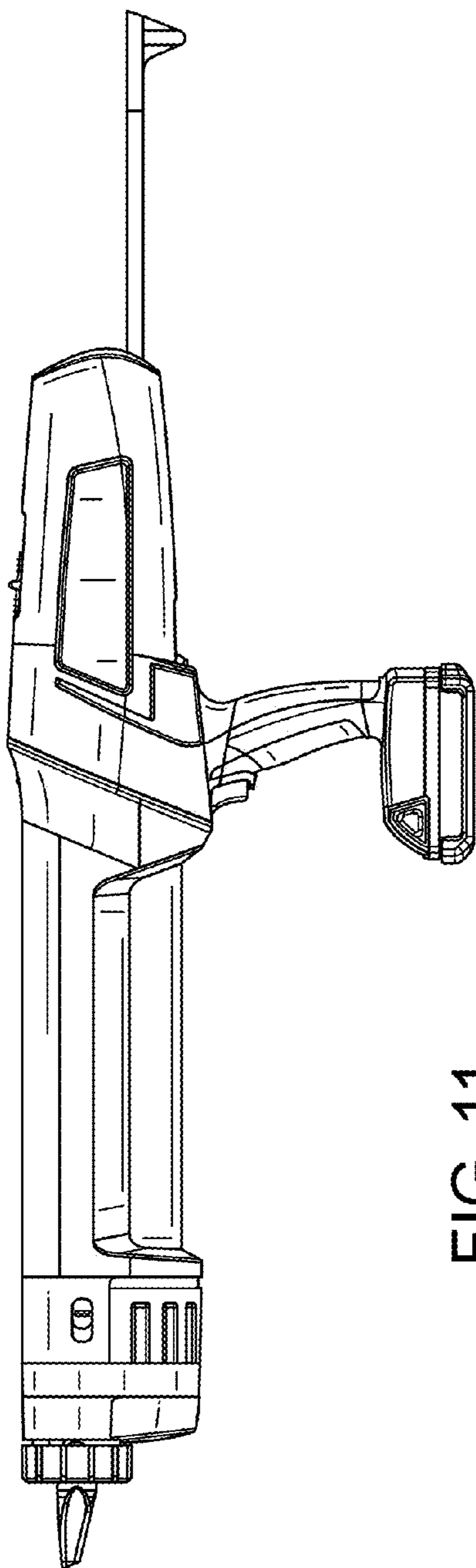


FIG. 11

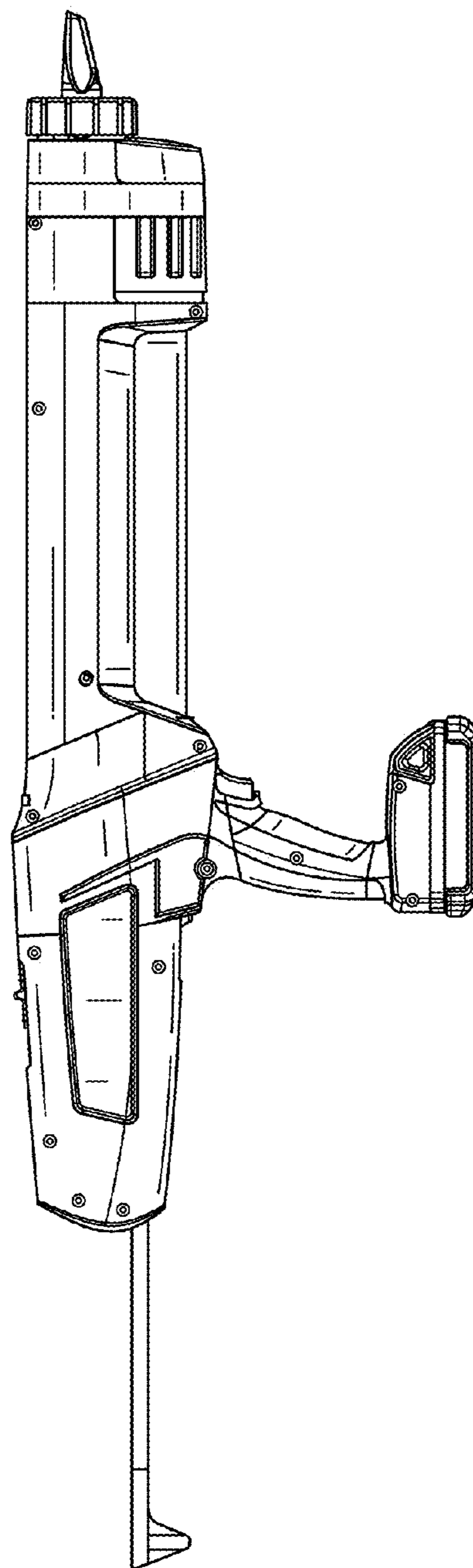


FIG. 12