



US00D751873S

(12) **United States Design Patent**
Yanoff

(10) **Patent No.:** **US D751,873 S**
(45) **Date of Patent:** **** Mar. 22, 2016**

- (54) **CONCRETE MIXING TOOL**
- (71) Applicant: **Troy Yanoff**, Wantage, NJ (US)
- (72) Inventor: **Troy Yanoff**, Wantage, NJ (US)
- (**) Term: **14 Years**
- (21) Appl. No.: **29/461,936**
- (22) Filed: **Jul. 29, 2013**

302,794 A	7/1884	Taylor	
1,151,372 A	8/1915	Moore	
1,394,315 A	10/1921	Lewis	
1,498,509 A	6/1924	Arnold	
1,530,716 A	3/1925	Doerr	
1,854,732 A	4/1932	Beran	
1,916,192 A	7/1933	David	
2,190,105 A	2/1940	Mock	
2,240,237 A	4/1941	Anderson	
2,699,925 A	1/1955	Madl	
3,166,303 A	1/1965	Chapman	
4,054,272 A *	10/1977	Cooke	366/343
D277,729 S *	2/1985	Maxwell	D8/14
D306,685 S *	3/1990	Nadeau	D8/70
4,936,688 A	6/1990	Cornell	
D316,100 S	4/1991	Kief	
5,109,930 A	5/1992	Napier	
D329,969 S *	10/1992	Kemp	D8/21
5,348,391 A	9/1994	Murray	
5,368,386 A	11/1994	Murray	
5,395,167 A	3/1995	Murray	
D364,542 S *	11/1995	Pollard	D8/14
5,470,148 A	11/1995	Gorr et al.	
5,797,678 A	8/1998	Murray	
D400,411 S *	11/1998	Ambrose	D8/14

Related U.S. Application Data

- (63) Continuation-in-part of application No. 13/785,791, filed on Mar. 5, 2013, now abandoned, which is a continuation of application No. 13/570,244, filed on Aug. 9, 2012, now abandoned, which is a continuation of application No. 12/392,835, filed on Feb. 25, 2009, now Pat. No. 8,262,278, which is a continuation-in-part of application No. 12/361,198, filed on Jan. 28, 2009, now abandoned.

- (51) **LOC (10) Cl.** **08-05**
- (52) **U.S. Cl.**
USPC **D8/14**
- (58) **Field of Classification Search**
USPC D8/14, 70; 366/343, 129, 342, 279;
D7/412
CPC B01F 7/00583; B01F 13/0028; B01F
13/002; B01F 11/0054; B01F 7/00291
See application file for complete search history.

(56) **References Cited**

U.S. PATENT DOCUMENTS

59,449 A	11/1866	Pratt
78,925 A	5/1868	Cassard
84,953 A	12/1868	Lord et al.
151,887 A	6/1874	Kitchen
190,238 A	5/1877	Monroe
190,628 A	5/1877	Scofield
193,493 A	7/1877	Eberhart

(Continued)

Primary Examiner — Phillip S Hyder

(74) *Attorney, Agent, or Firm* — Day Pitney LLP

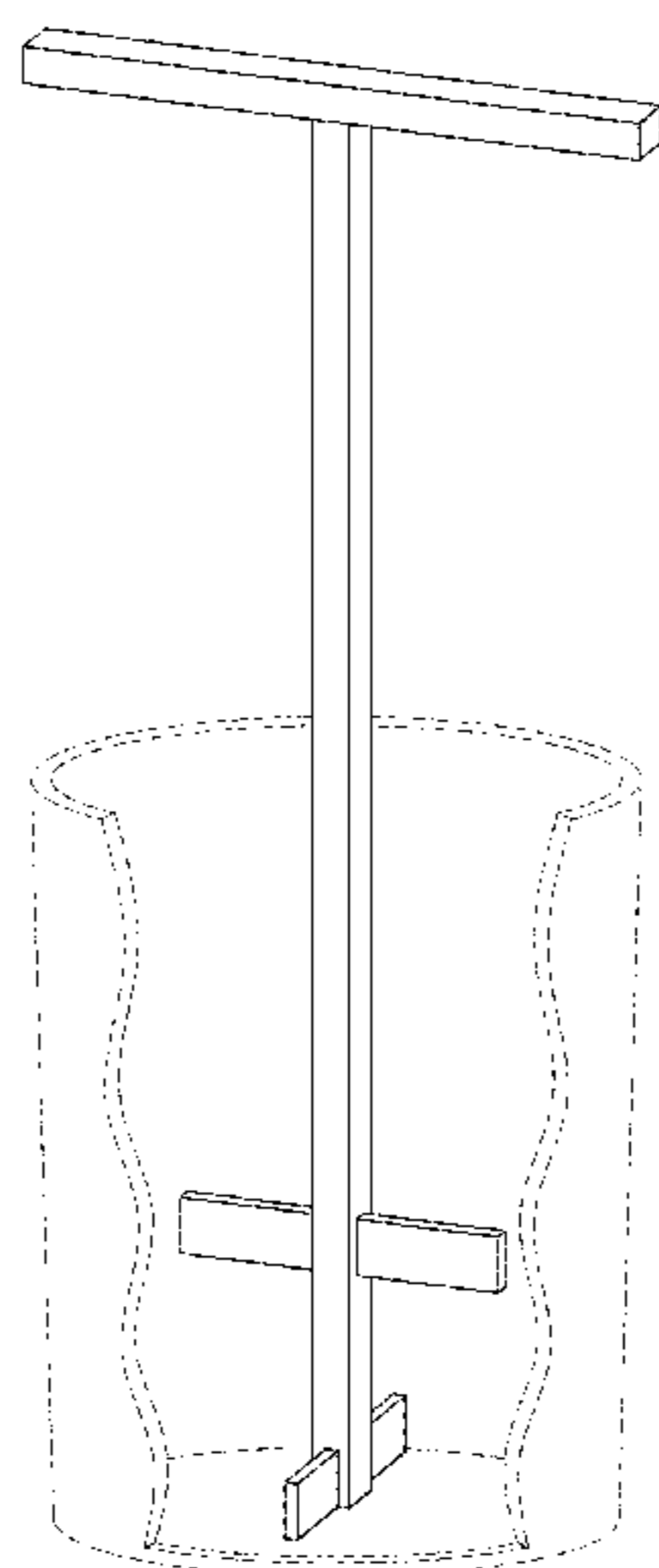
(57) **CLAIM**

The ornamental design for a concrete mixing tool, as shown and described.

DESCRIPTION

FIG. 1 is a perspective view of a concrete mixing tool showing new design, wherein the bucket is provided for purposes of environment and forms no part of the claimed design; FIG. 2 is an alternate perspective view thereof; FIG. 3 is a partial side elevation view of the lower portion of the tool; FIG. 4 is a front elevation view thereof; and, FIG. 5 is a side elevation view thereof.

1 Claim, 5 Drawing Sheets



(56)

References Cited

U.S. PATENT DOCUMENTS

6,000,836	A	12/1999	Nemazi et al.	6,412,569	B1	7/2002	Webb
6,033,105	A	3/2000	Barker et al.	6,994,465	B2	2/2006	Tague et al.
6,120,174	A	9/2000	Hoag et al.	7,029,163	B2	4/2006	Barker et al.
D440,476	S *	4/2001	Del Gaone	D708,033	S *	7/2014	Bohanan
D447,673	S *	9/2001	Vandenhams	2004/0196735	A1	10/2004	Barker et al.
				2005/0018533	A1	1/2005	Whitney
				2005/0105385	A1	5/2005	McGill et al.

* cited by examiner

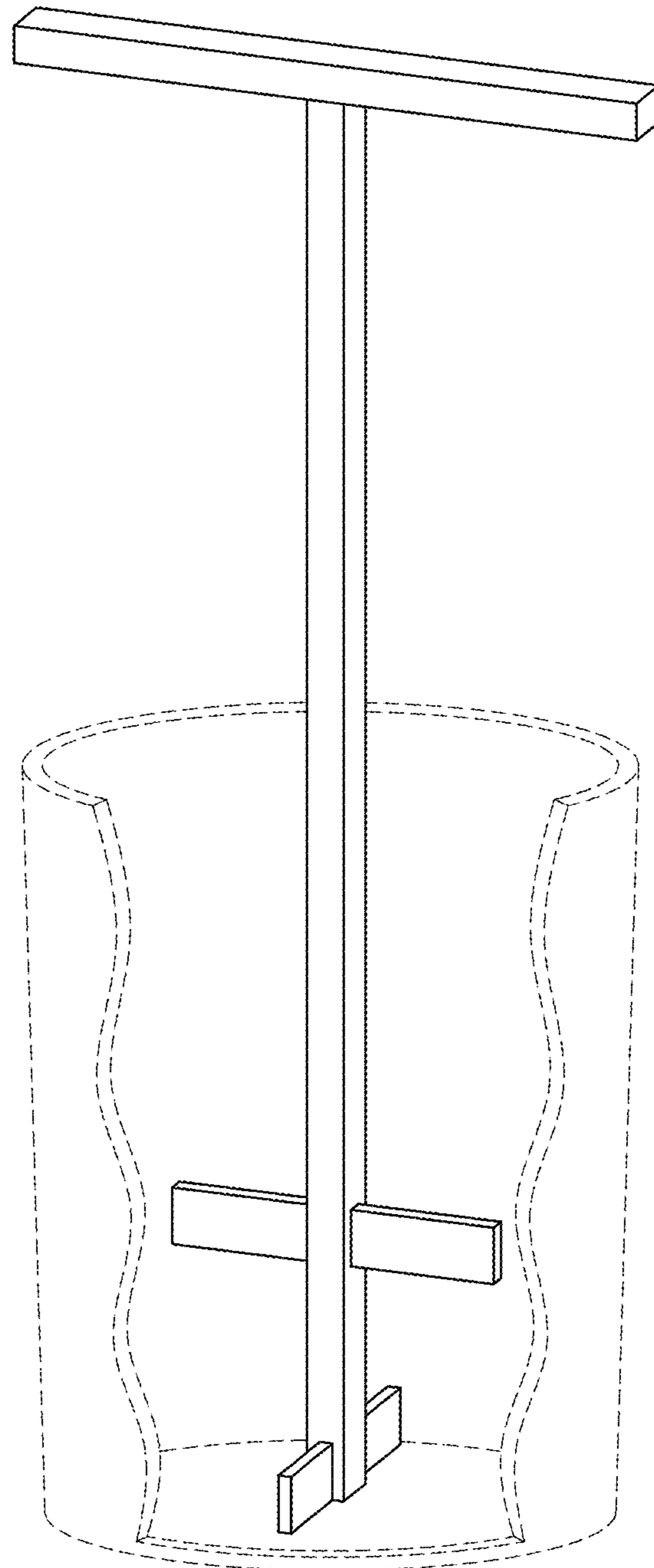


FIG. 1

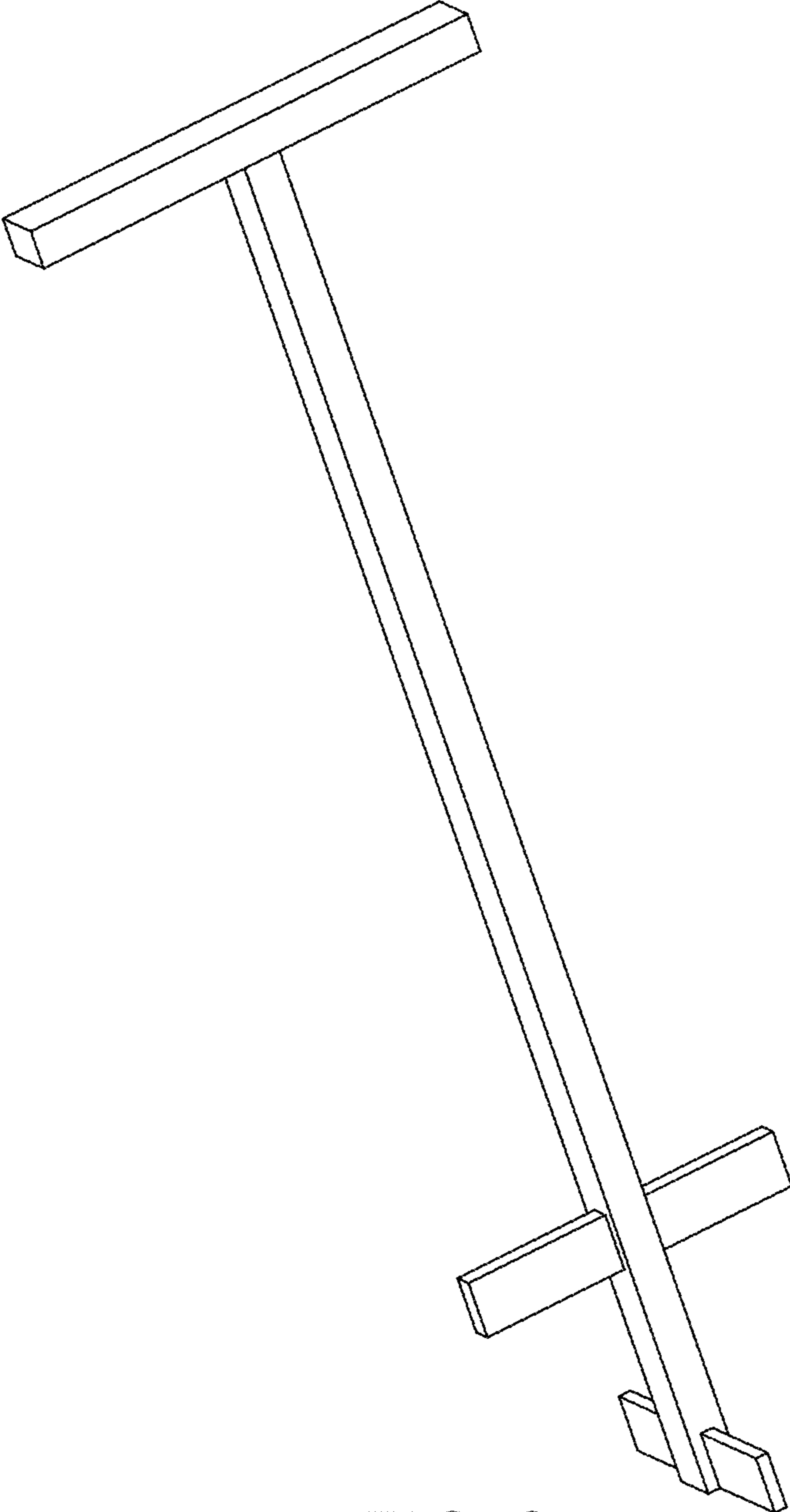


FIG.2

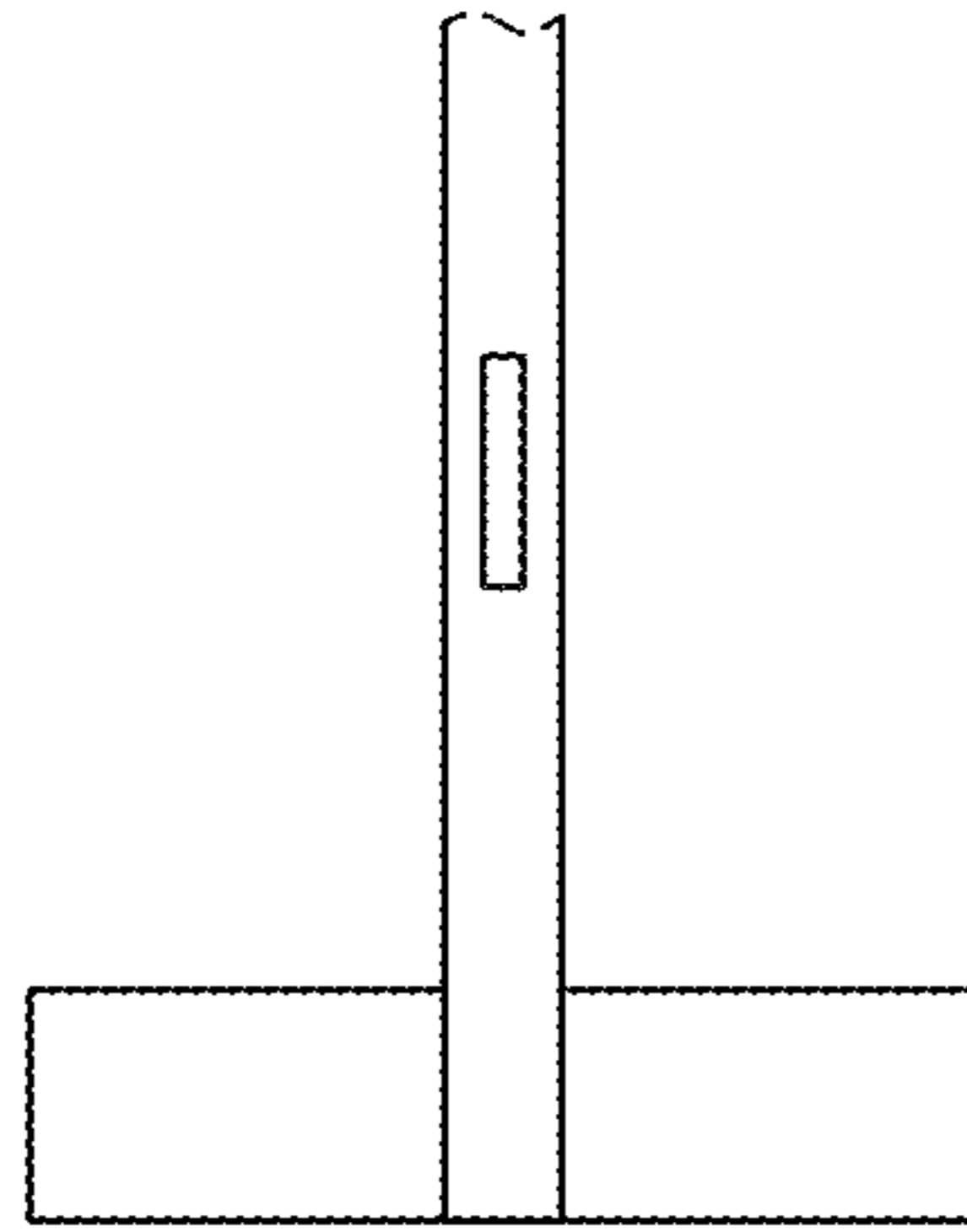


FIG. 3

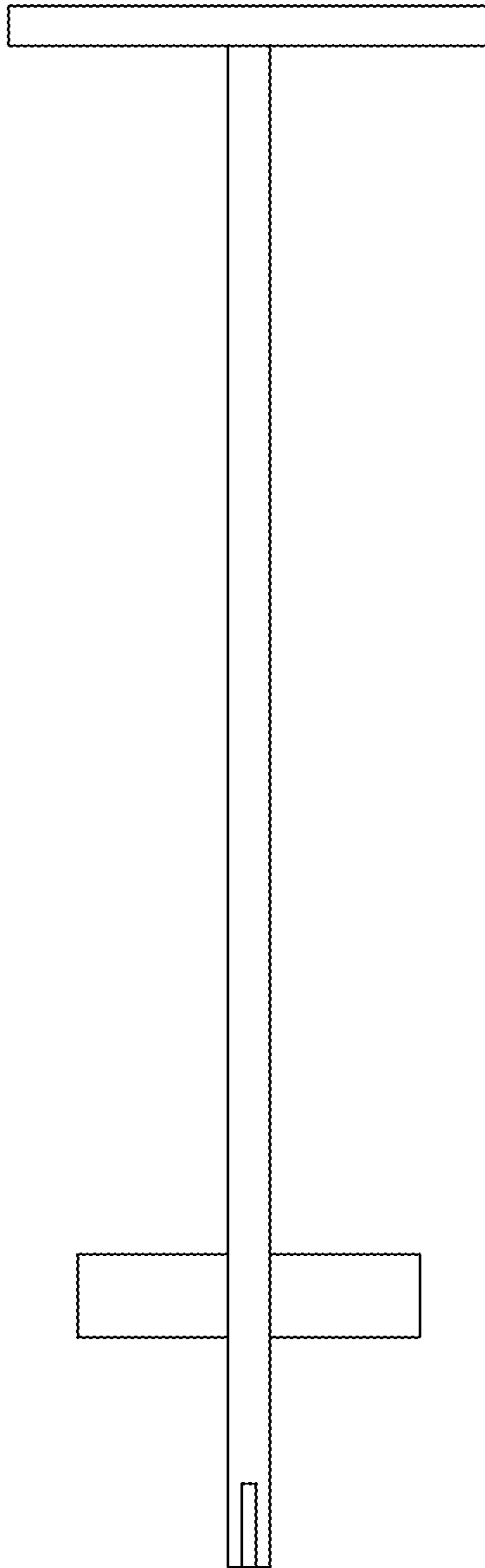


FIG.4

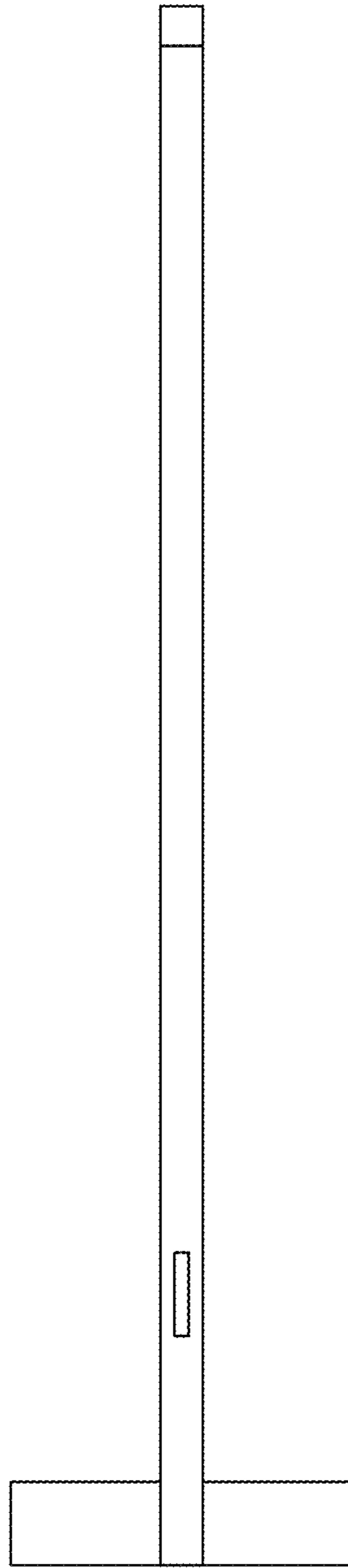


FIG. 5