



US00D751870S

(12) **United States Design Patent**  
**Burger**

(10) **Patent No.:** **US D751,870 S**  
(45) **Date of Patent:** **\*\* Mar. 22, 2016**

(54) **SKEWER WITH STRIP-AWAY FEATURE**

(71) Applicant: **Max Burger**, Mannheim (DE)

(72) Inventor: **Max Burger**, Mannheim (DE)

(\*\*) Term: **14 Years**

(21) Appl. No.: **29/514,547**

(22) Filed: **Jan. 14, 2015**

(51) **LOC (10) Cl.** ..... **07-02**

(52) **U.S. Cl.**  
USPC ..... **D7/683**

(58) **Field of Classification Search**  
USPC ..... D7/683, 684; D19/65; D28/40-42  
CPC ..... A47J 37/0694; A47J 37/00; A47J 37/04;  
A47J 37/07; A47J 37/06; A47J 3/18; A47J  
43/00

See application file for complete search history.

(56) **References Cited**

**U.S. PATENT DOCUMENTS**

6,286,418 B1 9/2001 Berke et al.  
8,465,069 B2 \* 6/2013 McCartor ..... A47G 21/023  
294/61

2005/0039737 A1 2/2005 Haber

**FOREIGN PATENT DOCUMENTS**

DE 202014000641 U1 4/2014  
JP 2002330853 A 11/2002

WO 2012022283 A1 2/2012

\* cited by examiner

*Primary Examiner* — Terry Wallace

(74) *Attorney, Agent, or Firm* — Michael Soderman

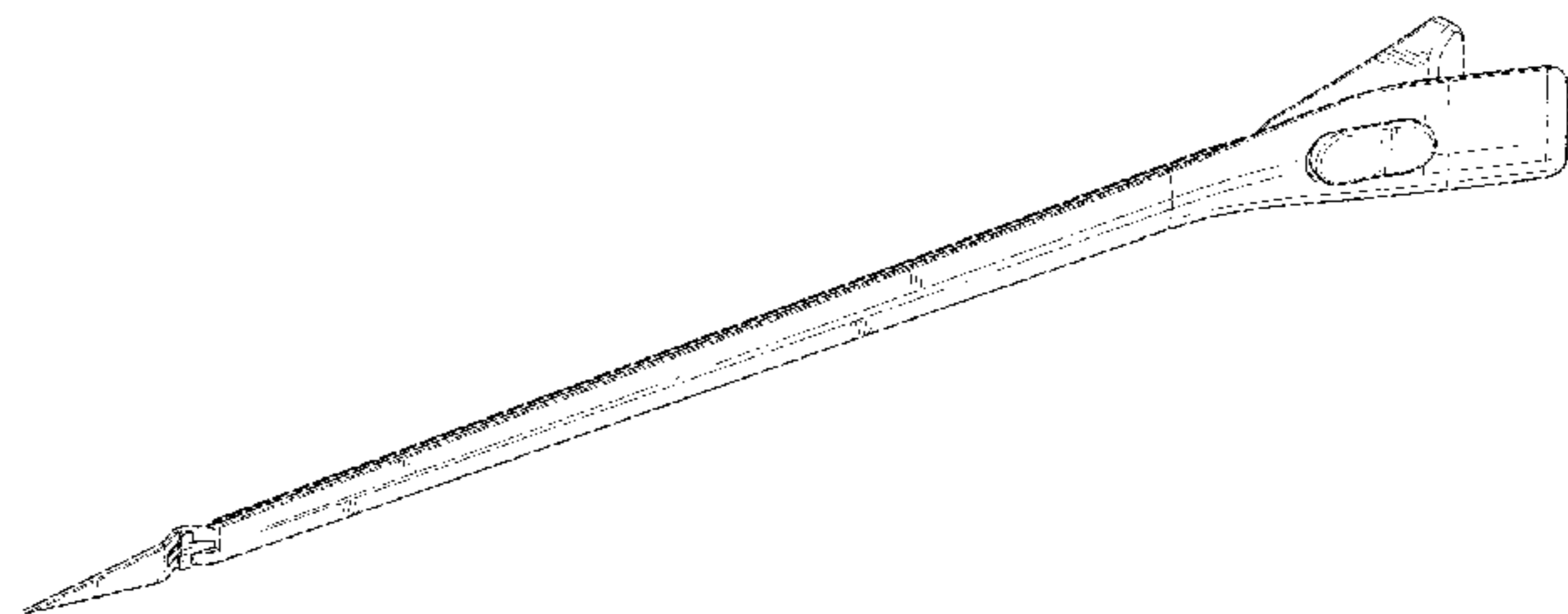
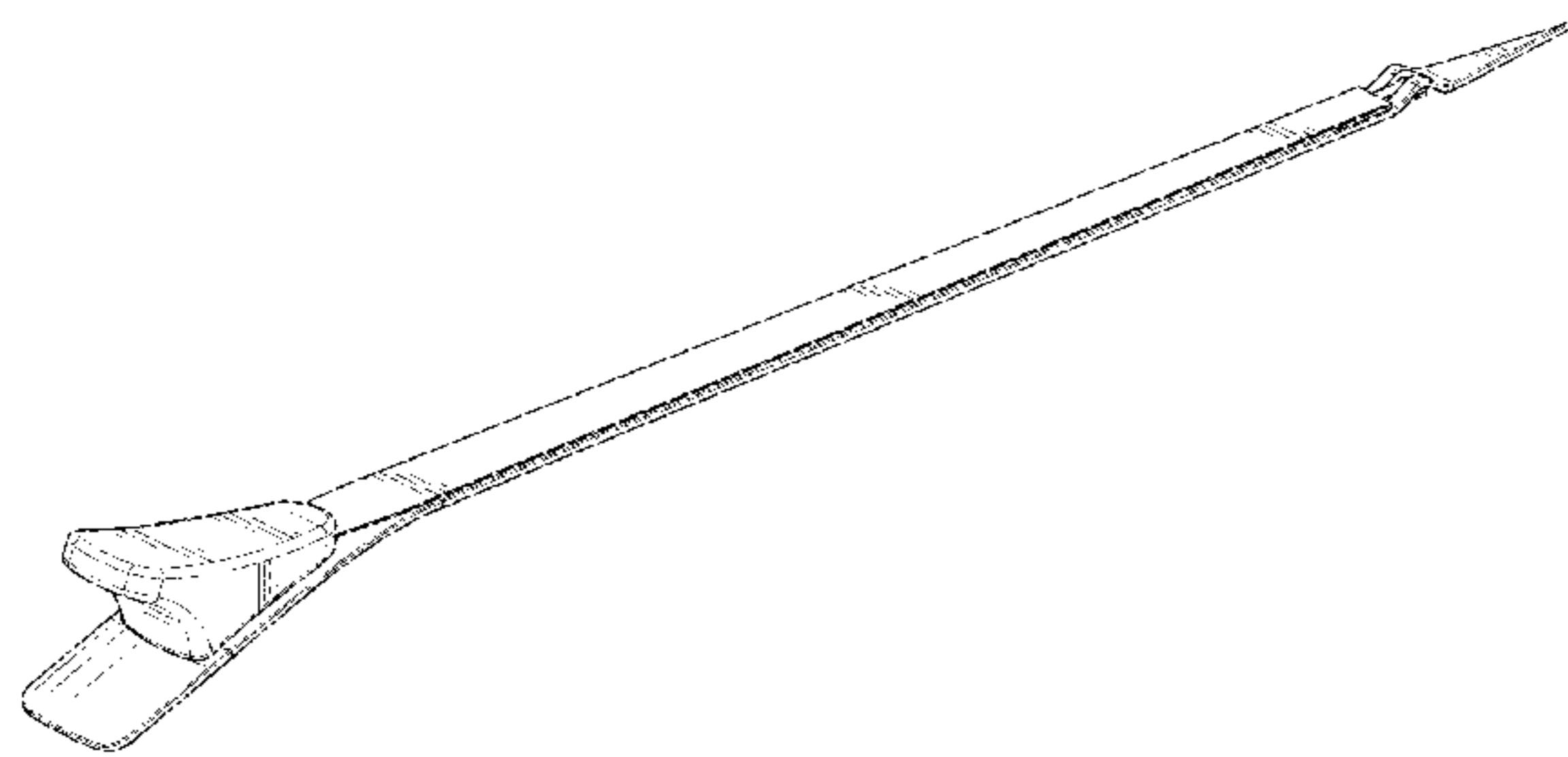
(57) **CLAIM**

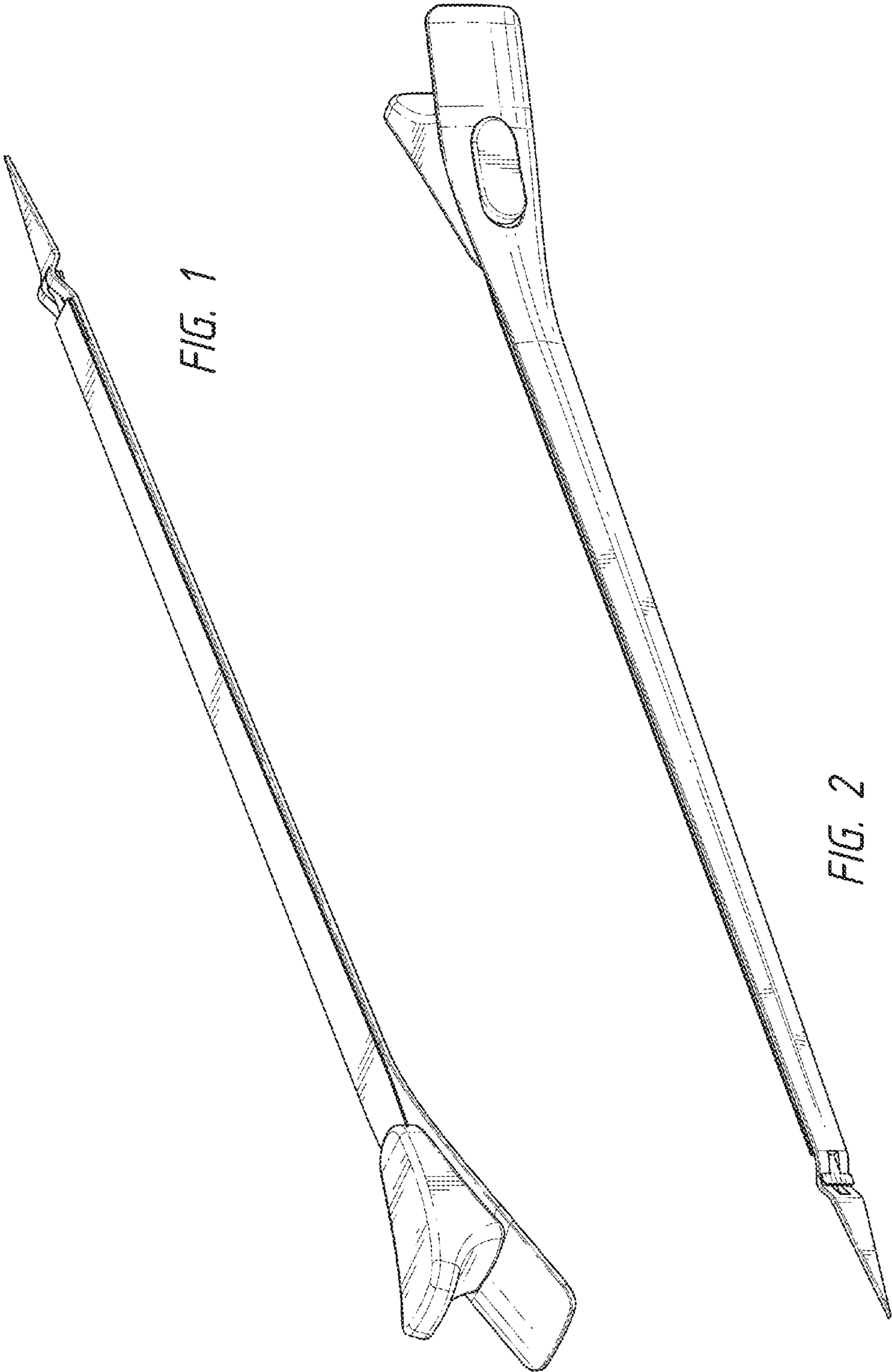
The ornamental design for a skewer with strip-away feature, as shown.

**DESCRIPTION**

FIG. 1 is a view of the skewer with strip-away feature in perspective from the rear, top and right-hand side; FIG. 2 is a view of the skewer with strip-away feature in perspective from the front, bottom and left-hand side; FIG. 3 is a view of the skewer with strip-away feature in perspective from the rear, bottom and right-hand side; FIG. 4 is a top view of the skewer with strip-away feature; FIG. 5 is a bottom view of the skewer with strip-away feature; FIG. 6 is a view of the skewer with strip-away feature from the right-hand side; FIG. 7 is a view of the skewer with strip-away feature from the left-hand side; FIG. 8 is a rear view of the skewer with strip-away feature; FIG. 9 is a front view of the skewer with strip-away feature; FIG. 10 is a view of the skewer with strip-away feature in perspective from the front, top and right-hand side with an open strip; and, FIG. 11 is a view of the skewer with strip-away feature in perspective from the rear, bottom and right-hand side with an open strip.

**1 Claim, 6 Drawing Sheets**





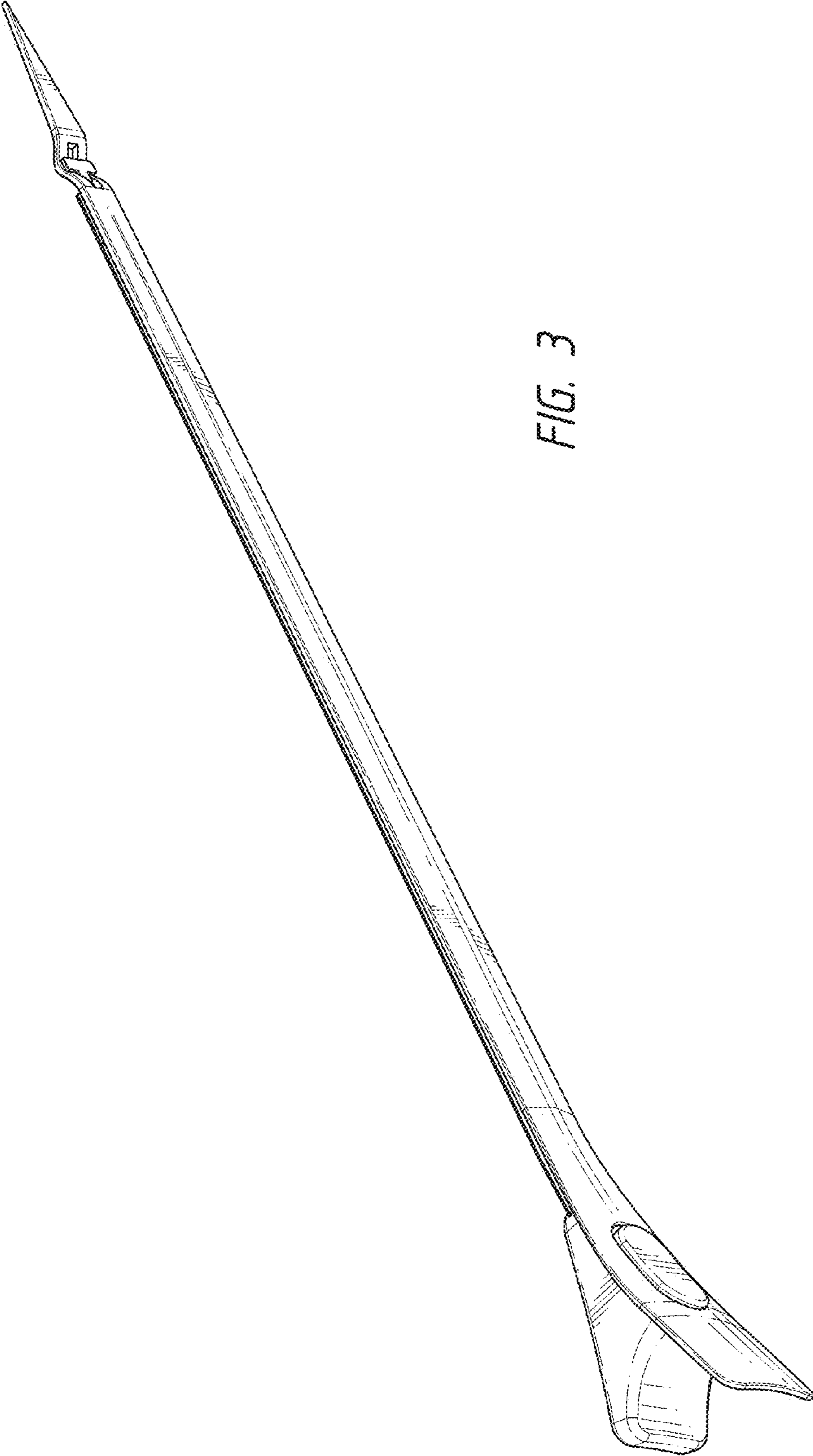


FIG. 3

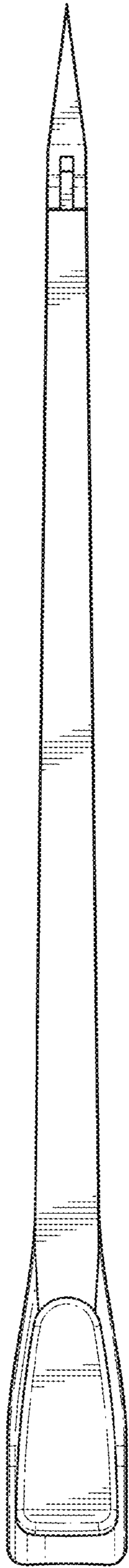


FIG. 4

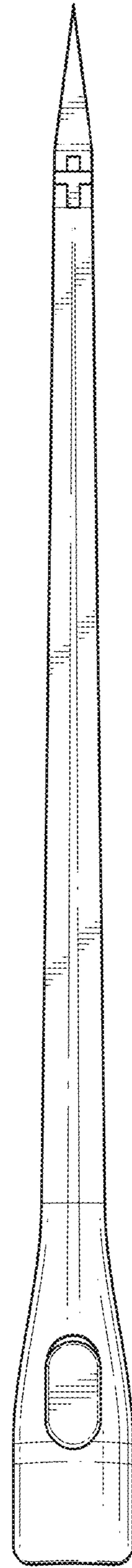


FIG. 5

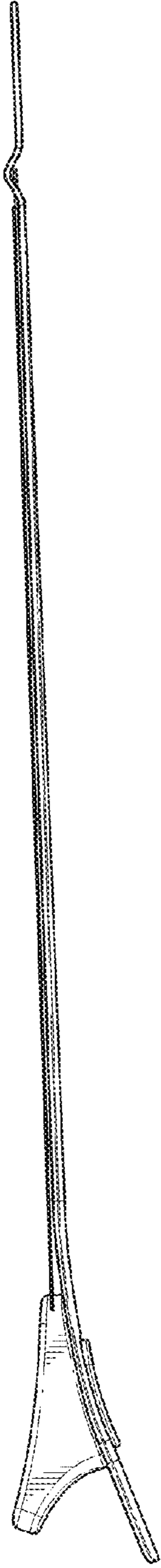


FIG. 6

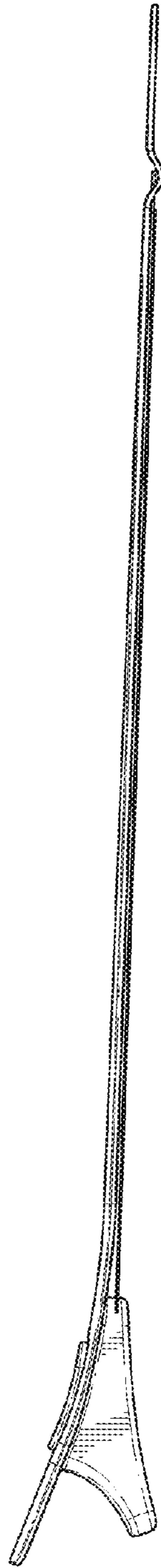


FIG. 7

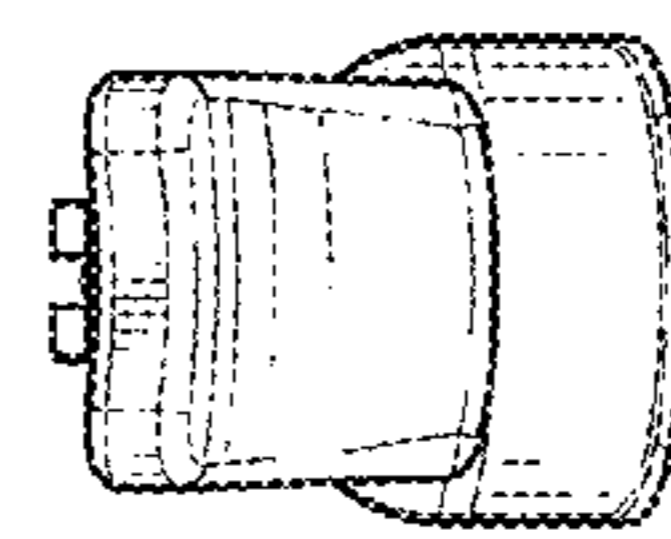


FIG. 8

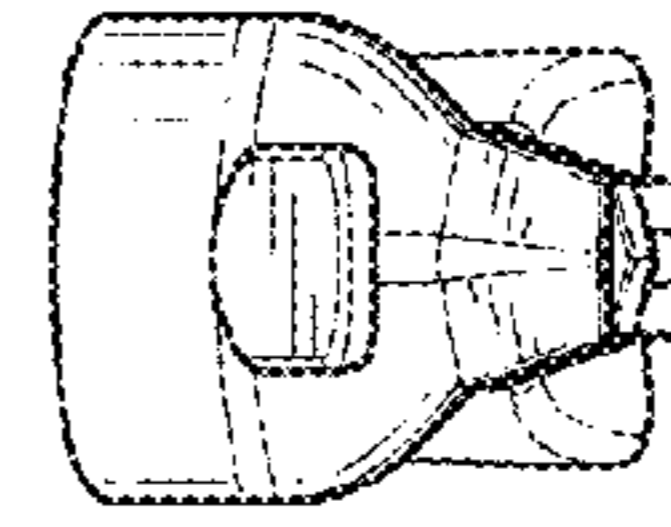


FIG. 9



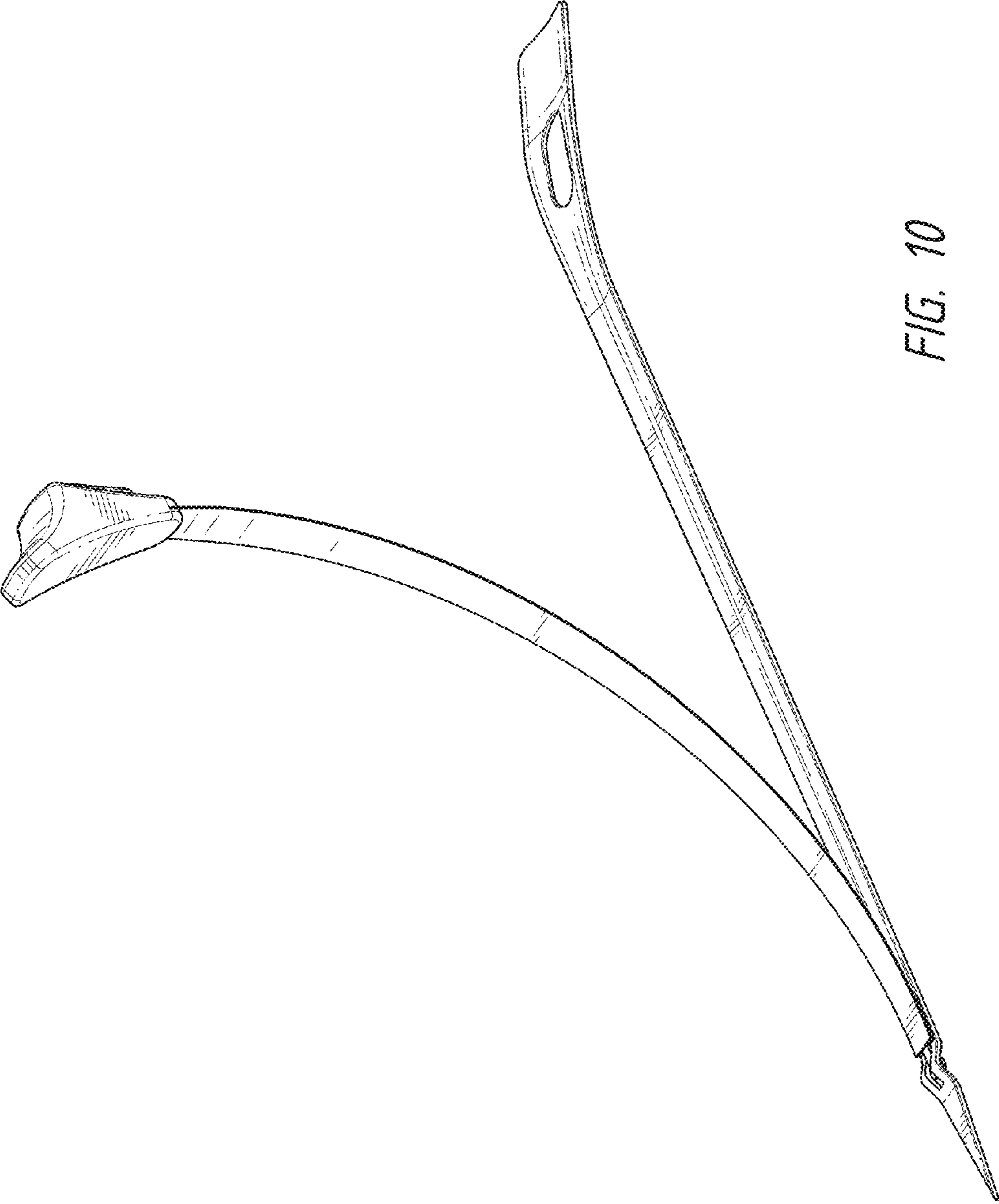


FIG. 10

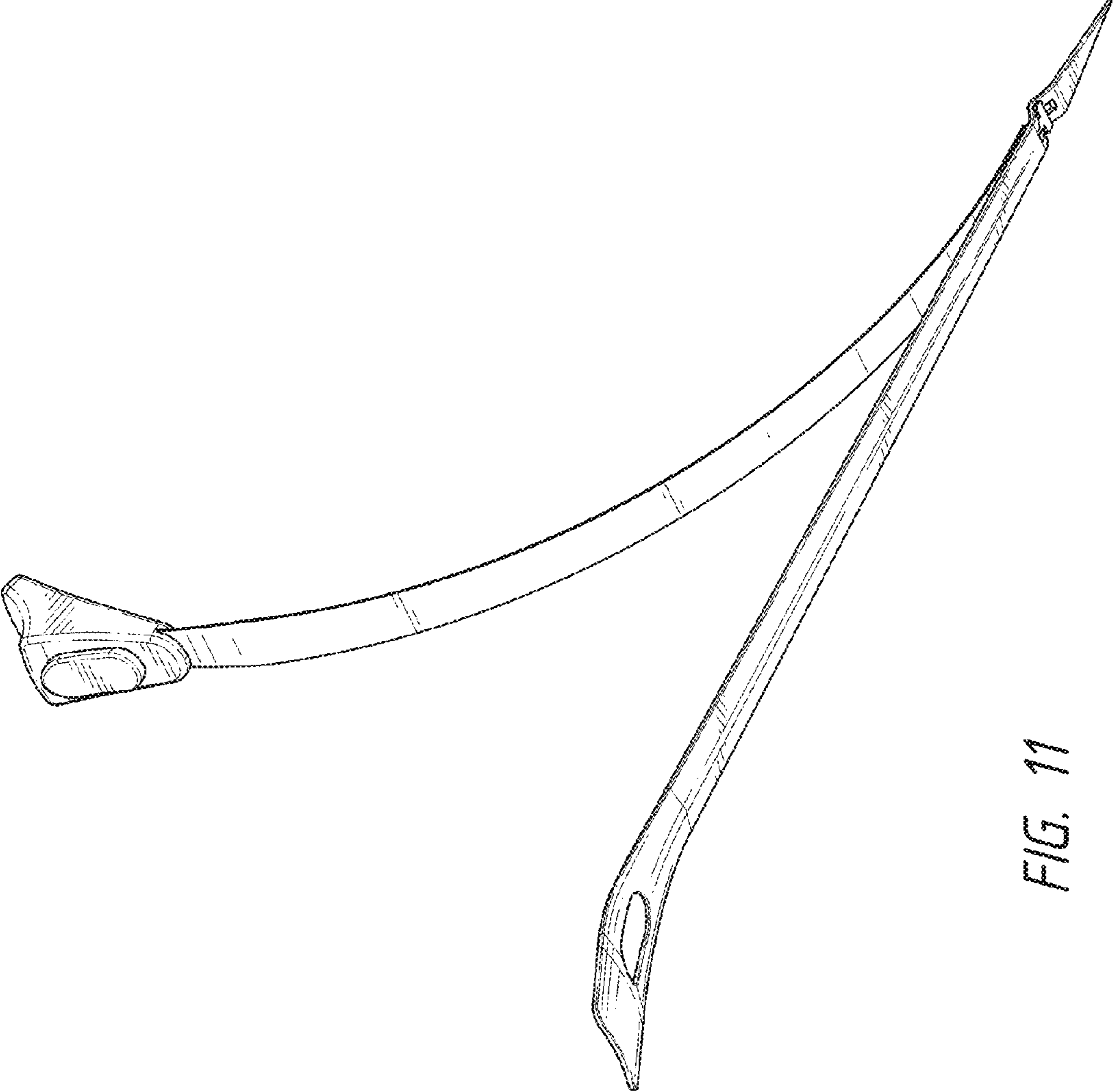


FIG. 11