



US00D751869S

(12) **United States Design Patent**
Schoeman

(10) **Patent No.:** **US D751,869 S**
(45) **Date of Patent:** **** Mar. 22, 2016**

(54) **FOOD SLICER**

(71) Applicant: **John Louis Schoeman**, Mona Vale (AU)

(72) Inventor: **John Louis Schoeman**, Mona Vale (AU)

(73) Assignee: **Masterful Limited**, North Point (HK)

(**) Term: **14 Years**

(21) Appl. No.: **29/495,004**

(22) Filed: **Jun. 26, 2014**

(51) **LOC (10) Cl.** **07-04**

(52) **U.S. Cl.**
USPC **D7/673**

(58) **Field of Classification Search**
USPC D7/672-677, 693, 381, 383, 384;
30/275.4, 279.2, 280, 277.4, 279.6;
99/538; 241/93, 94, 101.1, 37.5, 36,
241/273.1-273.4, 100, 285.1, 283, 285.2;
83/699.61, 932, 856, 857, 699.51, 13,
83/435.11, 436.7, 440.2, 698.11
CPC B26D 3/283; B26D 7/24; B26D 2003/288;
B26D 2003/287; B26D 5/02; B26D 2003/286;
A47J 43/245
See application file for complete search history.

(56) **References Cited**

U.S. PATENT DOCUMENTS

6,318,652 B1 * 11/2001 Liu A47J 43/25
241/168
D535,160 S * 1/2007 Ishii D7/673
D569,200 S * 5/2008 Chalfant D7/672
D596,467 S * 7/2009 de Buyer D7/693

D642,875 S * 8/2011 Mah D7/673
2004/0046073 A1 * 3/2004 Richardson A47J 43/25
241/95
2007/0062349 A1 * 3/2007 Ishii B26D 3/283
83/13
2008/0257128 A1 * 10/2008 Reimann B26D 3/283
83/699.61
2010/0122465 A1 * 5/2010 Holmes A47J 43/25
30/275.4

* cited by examiner

Primary Examiner — Terry Wallace

(74) *Attorney, Agent, or Firm* — Benesch, Friedlander,
Coplan & Aronoff LLP; Thomas Y. Kendrick

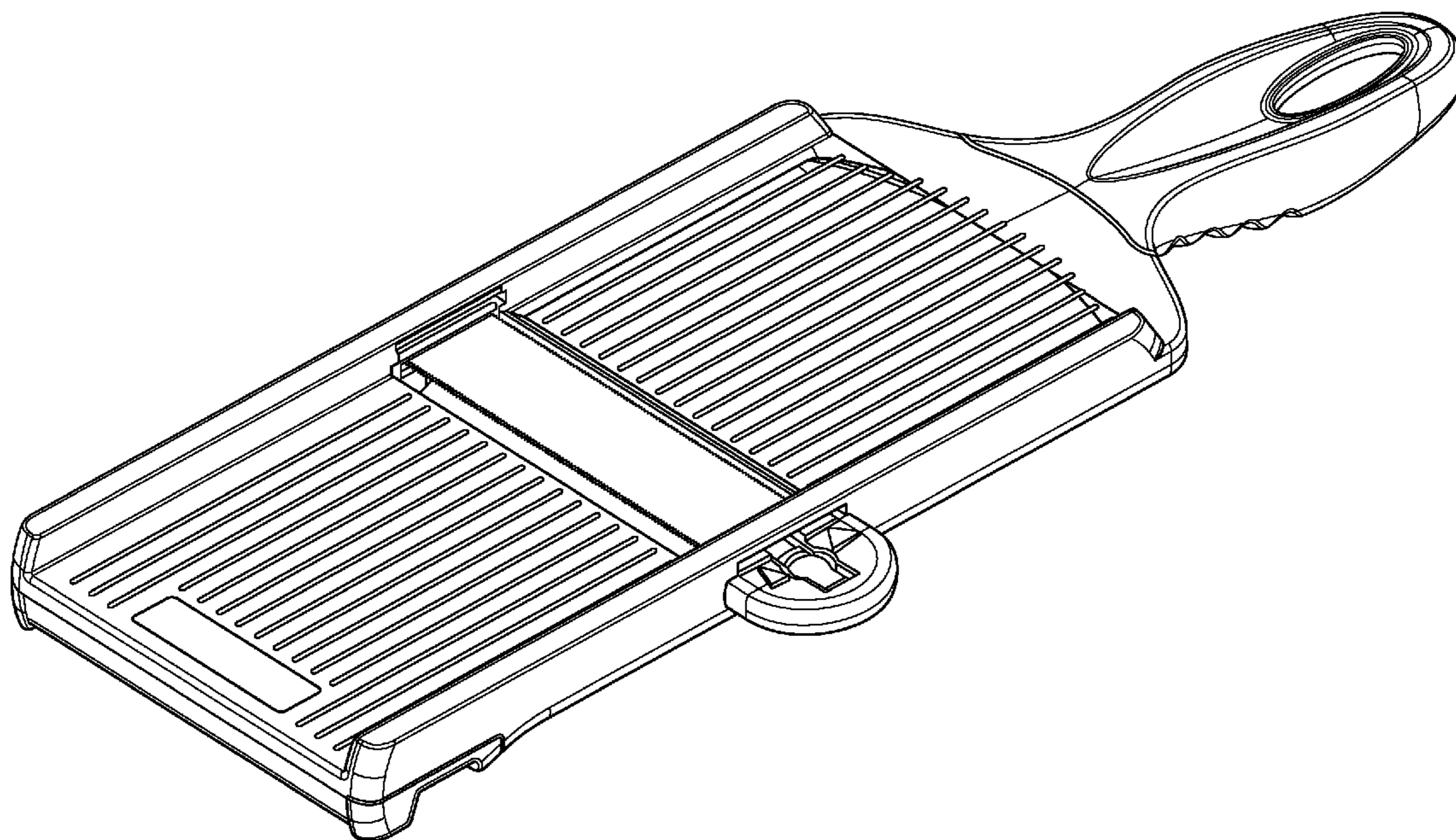
(57) **CLAIM**

The ornamental design for a food slicer, as shown and described.

DESCRIPTION

FIG. 1 is a top perspective view of a food slicer showing our new design;
FIG. 2 is a bottom perspective view thereof;
FIG. 3 is a top plan view thereof;
FIG. 4 is a bottom plan view thereof;
FIG. 5 is a left side elevational view thereof;
FIG. 6 is a right side elevational view thereof;
FIG. 7 is a front elevational view thereof;
FIG. 8 is rear elevational view thereof;
FIG. 9 is a top perspective view thereof with the blade insertable from the right side of the food slicer; and,
FIG. 10 is a top perspective view thereof with the blade insertable from the left side of the food slicer.

1 Claim, 7 Drawing Sheets



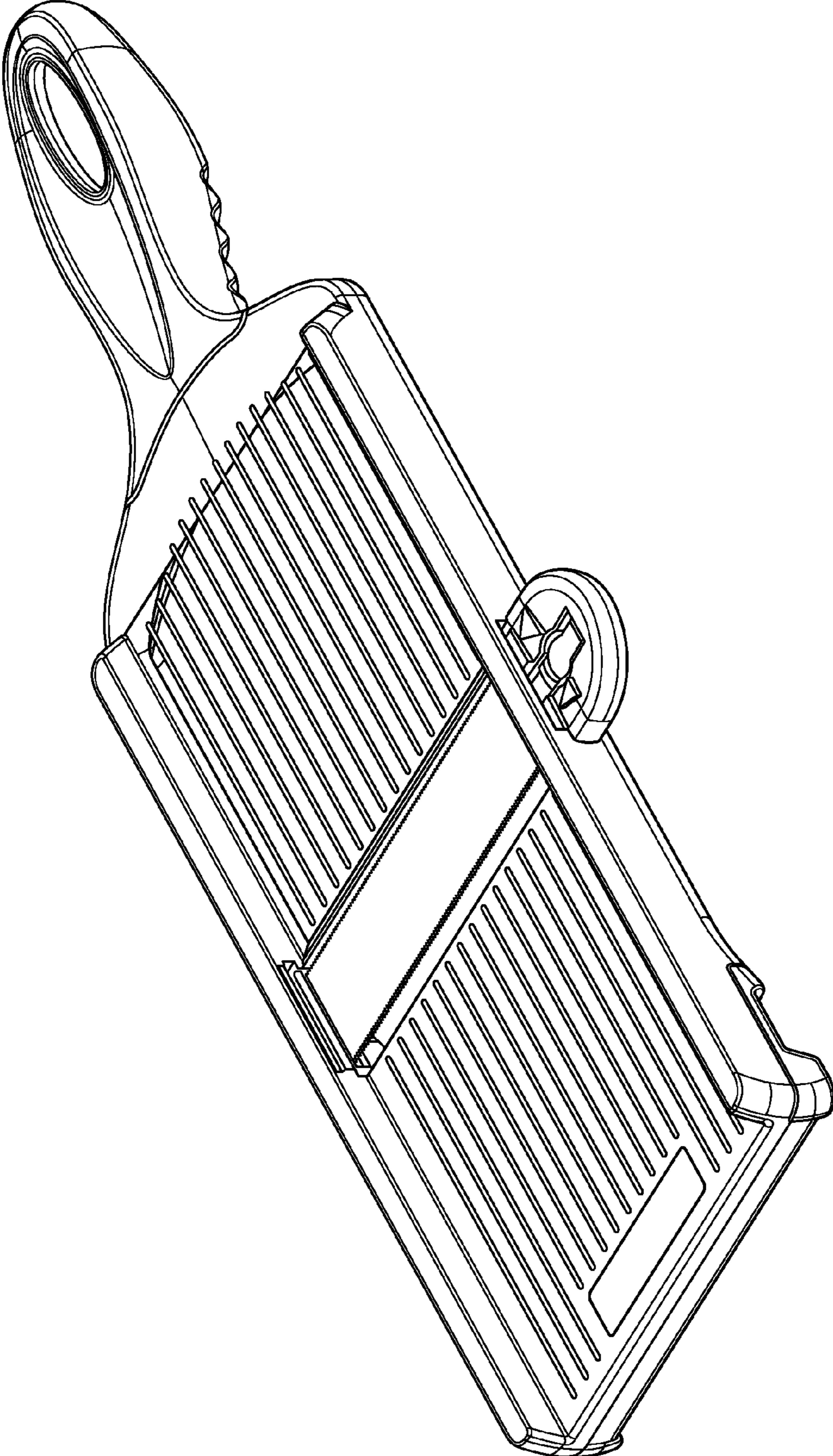


FIG. 1

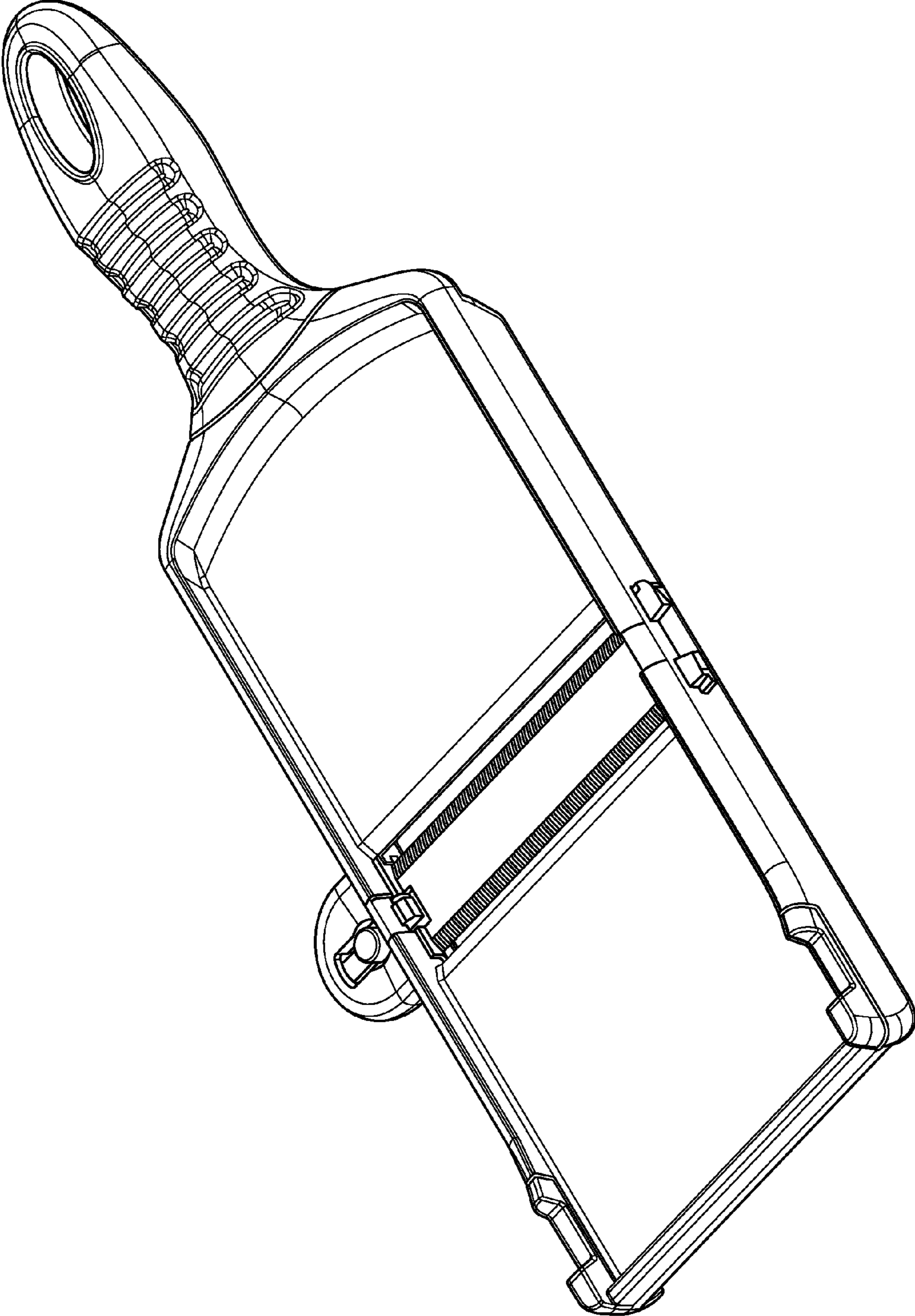


FIG. 2

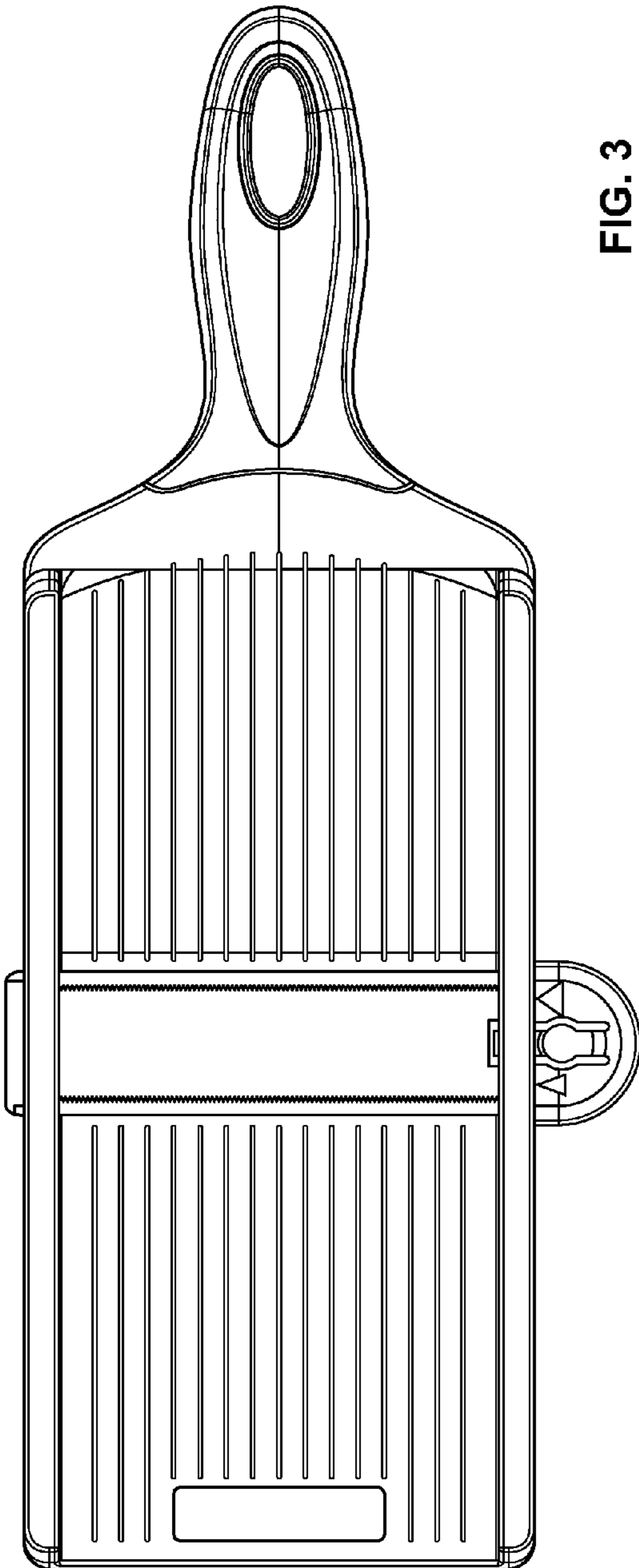


FIG. 3

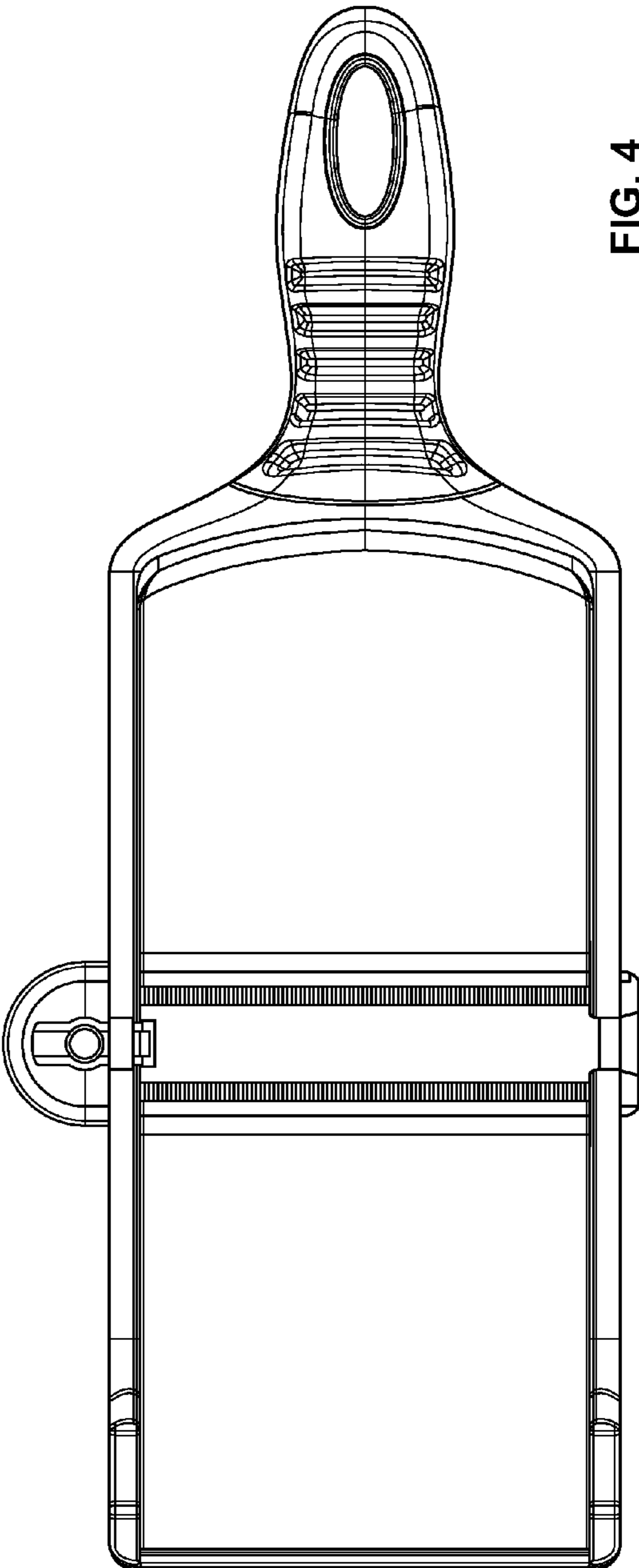


FIG. 4

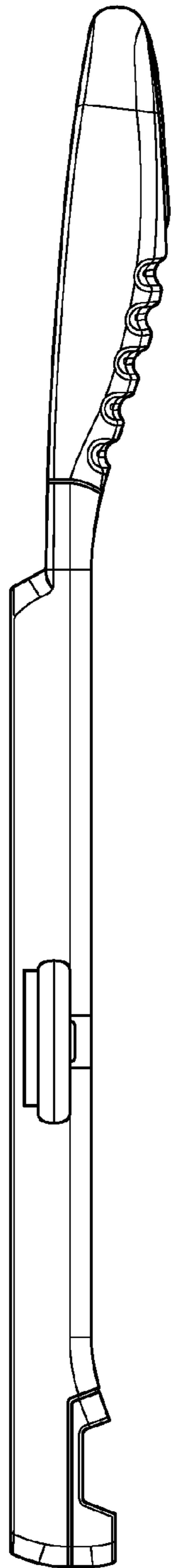


FIG. 5

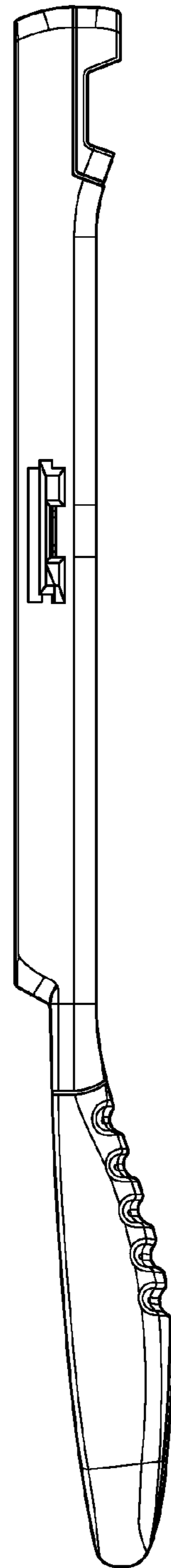


FIG. 6

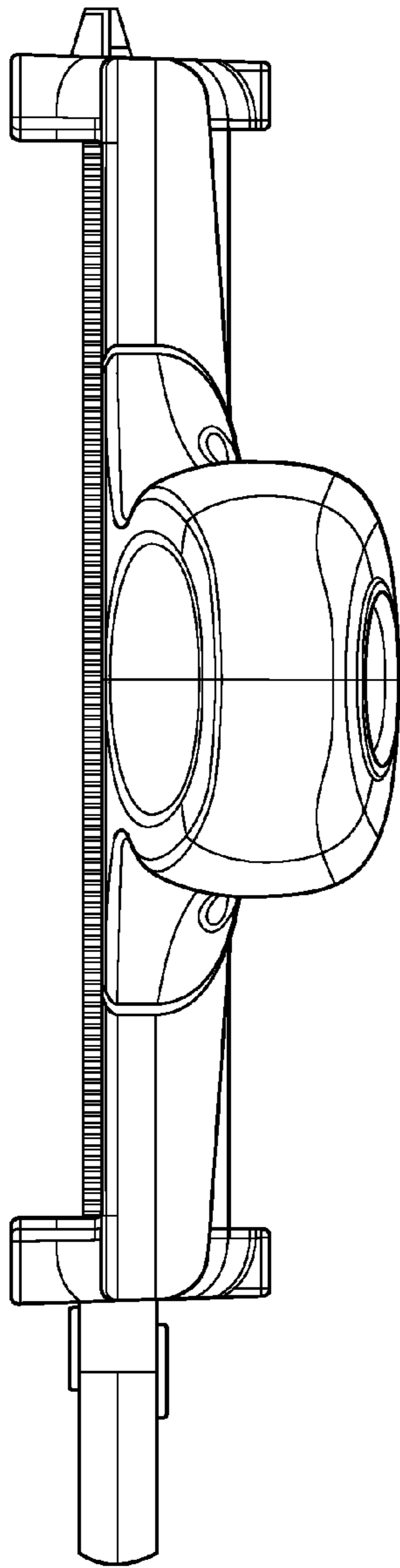


FIG. 7

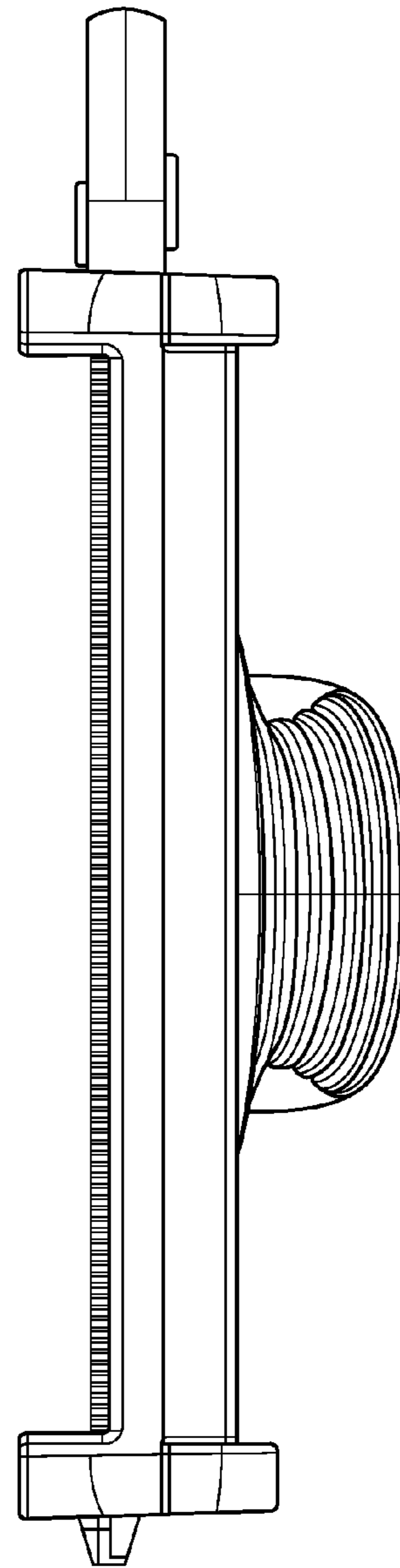


FIG. 8

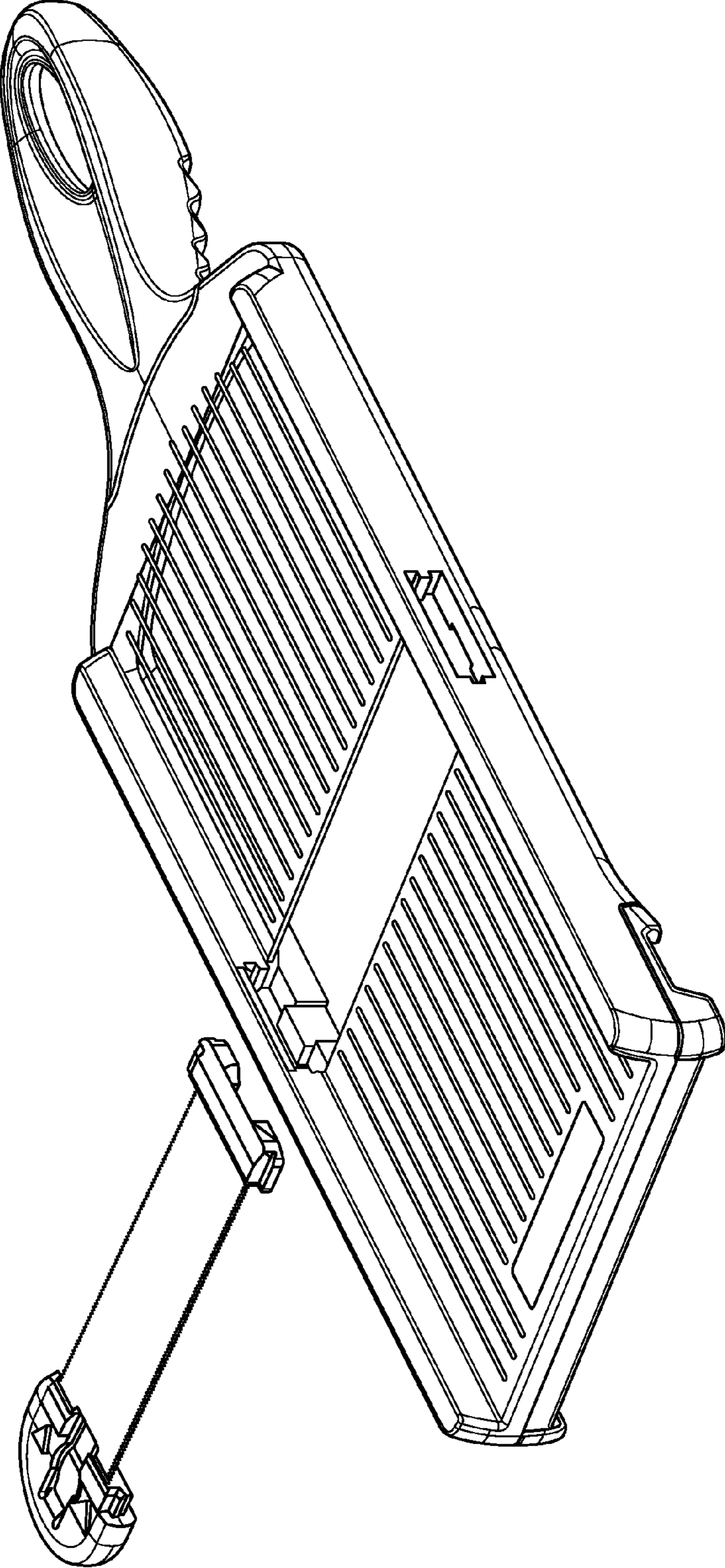


FIG. 9

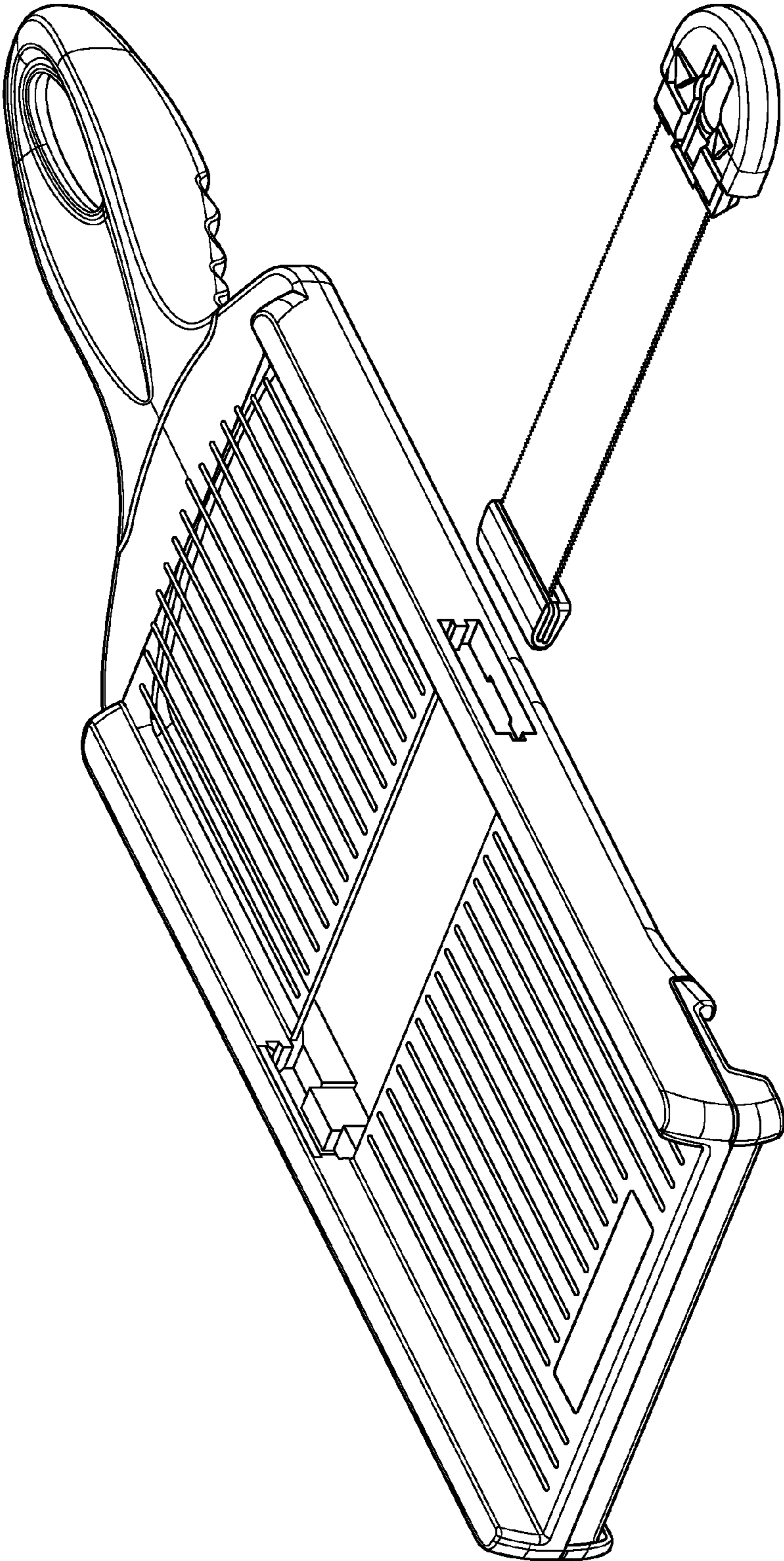


FIG. 10