



US00D751867S

(12) **United States Design Patent**
Krumwiede et al.

(10) **Patent No.:** **US D751,867 S**
(45) **Date of Patent:** **** Mar. 22, 2016**

- (54) **COMBINED CANTILEVER-STYLE WINE BUCKET AND BOTTLE HOLDER**
- (71) Applicant: **JEK2, LLC**, Mount Prospect, IL (US)
- (72) Inventors: **Judi Krumwiede**, Mount Prospect, IL (US); **James Krumwiede**, Mount Prospect, IL (US)
- (73) Assignee: **JEK2, LLC**, Mount Prospect, IL (US)
- (**) Term: **14 Years**
- (21) Appl. No.: **29/495,313**
- (22) Filed: **Jun. 30, 2014**
- (51) **LOC (10) Cl.** **07-01**
- (52) **U.S. Cl.**
USPC **D7/620**
- (58) **Field of Classification Search**
USPC D7/619.1-625, 701-708; D6/566;
D11/143, 148, 152; 47/67; 211/74,
211/88.01, 119; 248/214, 228.7, 231.81,
248/302, 311.2, 315, 205.1
CPC ... A01K 97/10; A47G 7/044; A47G 23/0225;
A47H 27/00
See application file for complete search history.

					211/119
5,609,318	A *	3/1997	Scheh	A47G 23/0225
					248/302
D474,652	S *	5/2003	Chan	D7/620
7,284,737	B2	10/2007	Kane		
D583,630	S *	12/2008	Goodman	D7/619.1
7,690,612	B1 *	4/2010	Branson	A47H 27/00
					248/302
7,717,385	B2	5/2010	Saffray		
8,430,366	B2	4/2013	Tincher		

FOREIGN PATENT DOCUMENTS

AU	200048622	B2	1/2001
CA	2112541		7/1994
CN	201854884		6/2011
DE	850068		9/1952
DE	8714841	U1	12/1987
DE	8804297	U1	5/1988

(Continued)

OTHER PUBLICATIONS

Three photographs of a wine holder observed in Europe circa Nov. 2013.

Primary Examiner — Terry Wallace

(74) *Attorney, Agent, or Firm* — Seyfarth Shaw LLP; David A. Klein

(57) **CLAIM**

The ornamental design for a combined cantilever-style wine bucket and bottle holder, as shown.

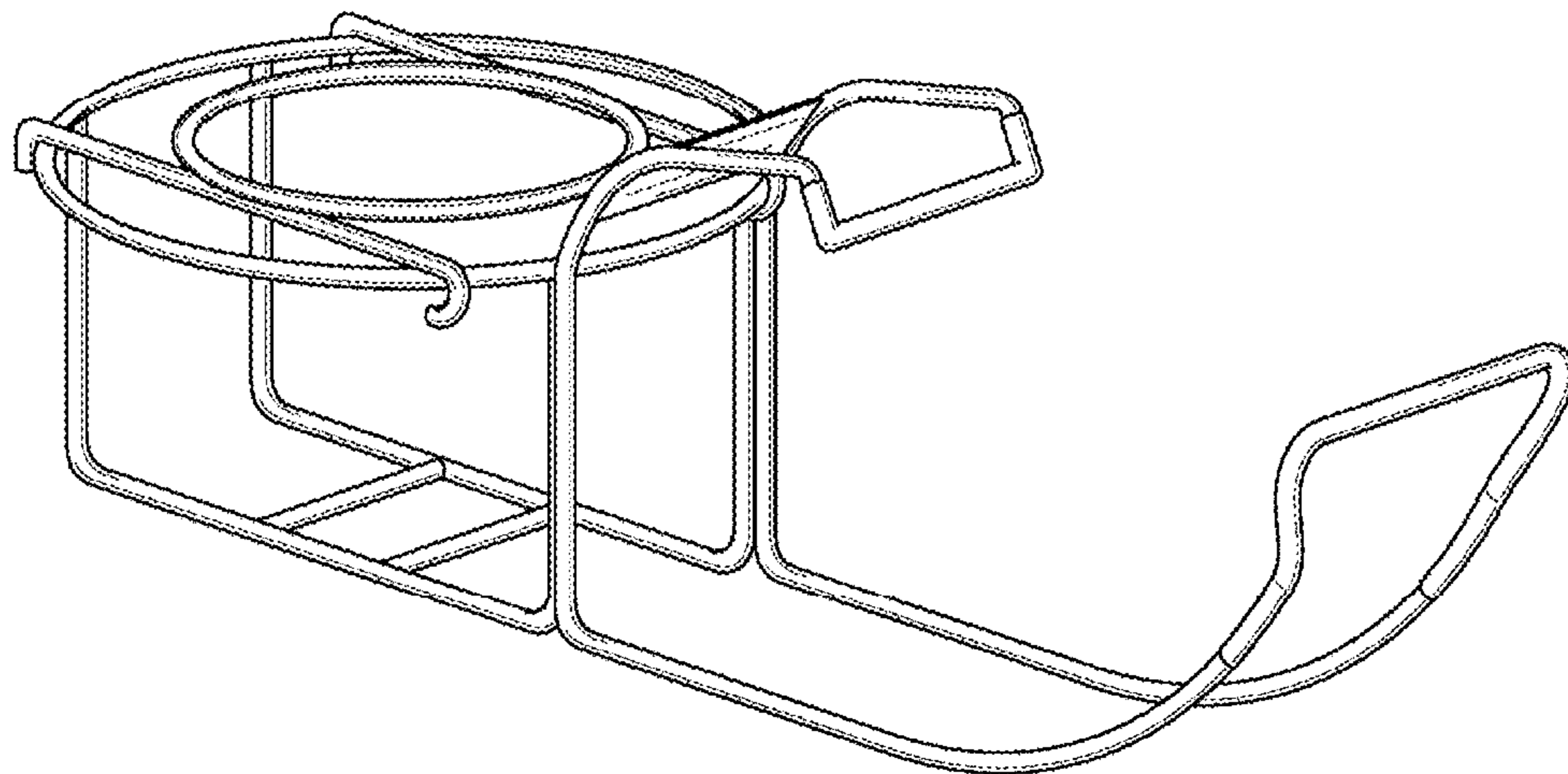
DESCRIPTION

FIG. 1 is a perspective view of a combined cantilever-style wine bucket and bottle holder showing my new design.
FIG. 2 is a front view thereof.
FIG. 3 is a rear view thereof.
FIG. 4 is a side view thereof.
FIG. 5 is an opposite side view thereof.
FIG. 6 is a top plan view thereof; and,
FIG. 7 is a bottom plan view thereof.

1 Claim, 7 Drawing Sheets

(56) **References Cited**
U.S. PATENT DOCUMENTS

2,331,511	A	10/1943	Schiffman		
2,601,571	A *	6/1952	Sverkerson	A47G 23/0225
					211/74
D254,648	S	4/1980	Rosselli		
4,230,362	A	10/1980	Euwema et al.		
4,248,478	A	2/1981	Aron		
4,362,333	A	12/1982	Cohen		
4,418,883	A *	12/1983	Cohen	A47G 23/0225
					248/205.1
D279,533	S	7/1985	Gildart		
D297,695	S *	9/1988	Dessart	D7/590
D307,851	S *	5/1990	Polidoros	D7/620
5,390,443	A *	2/1995	Emalfarb	A47G 7/044



(56)

References Cited

FOREIGN PATENT DOCUMENTS

DE 29510895 U1 9/1995
DE 29819669 U1 4/1999
DE 20215022 U1 12/2002

EP 1974636 A1 1/2008
FR 2626457 A1 8/1989
GB 2237182 A 1/1991
WO 98/53722 12/1998
WO 2008/000690 A1 1/2008

* cited by examiner

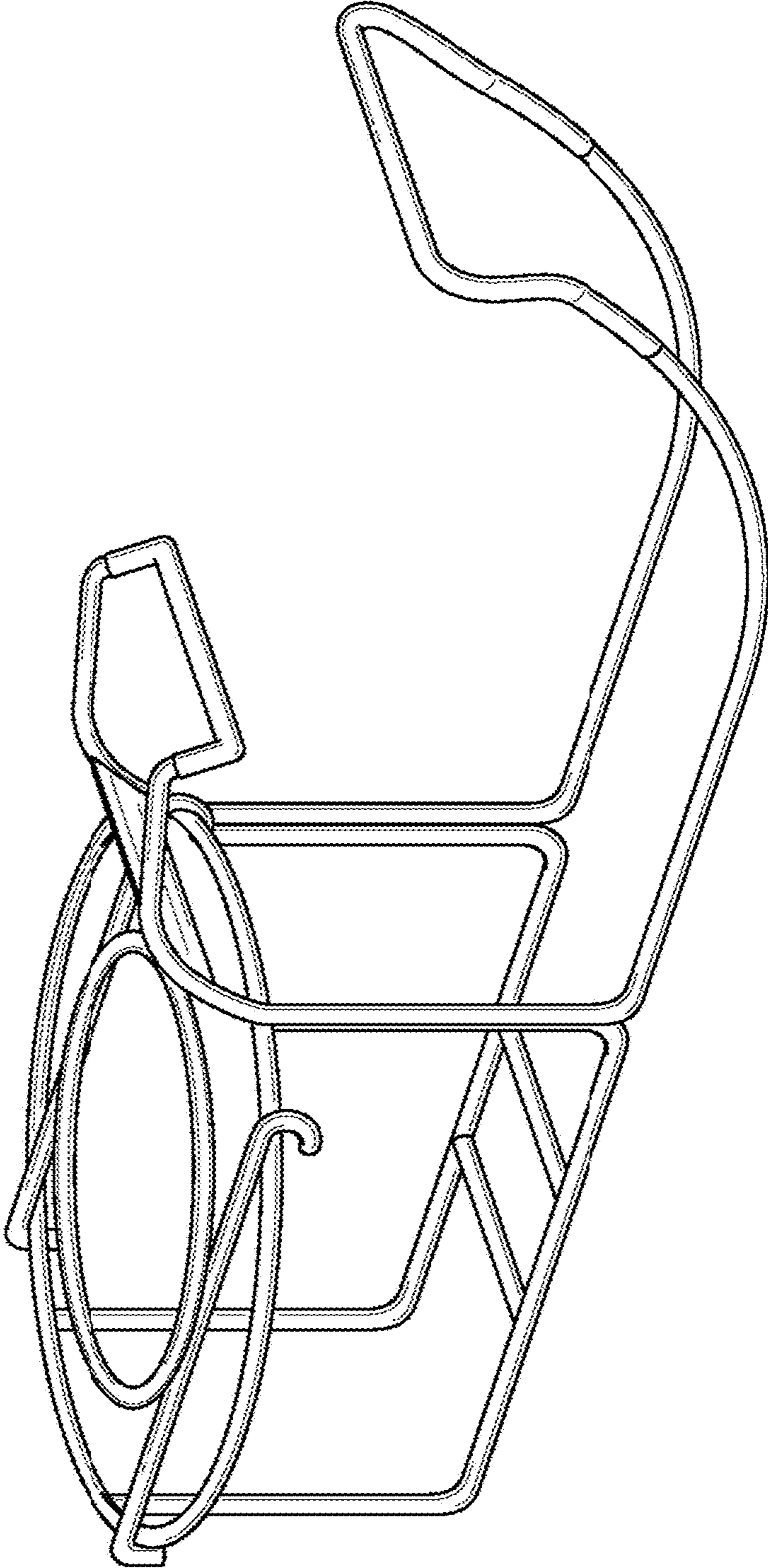


FIG. 1

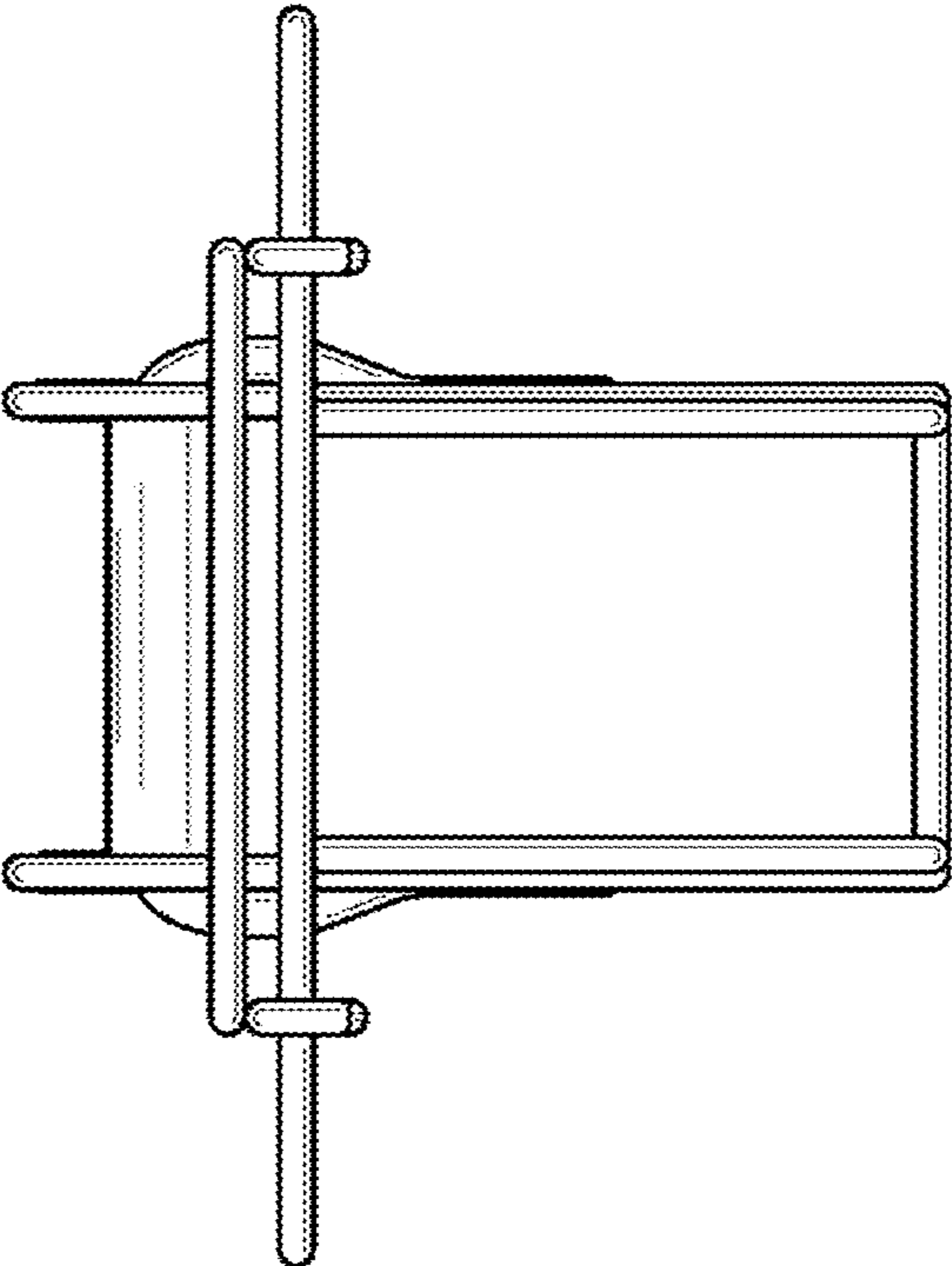


FIG. 2

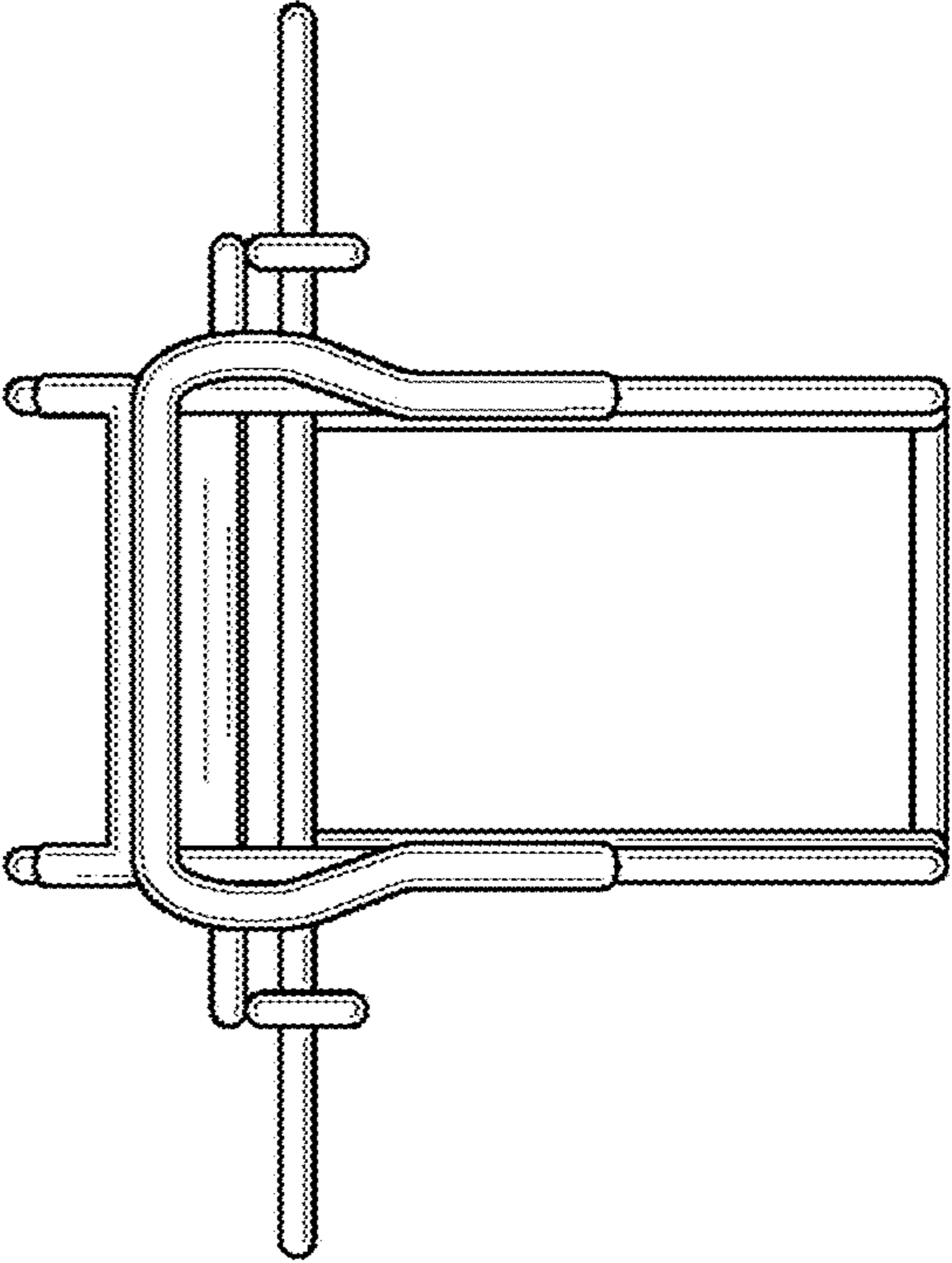


FIG. 3

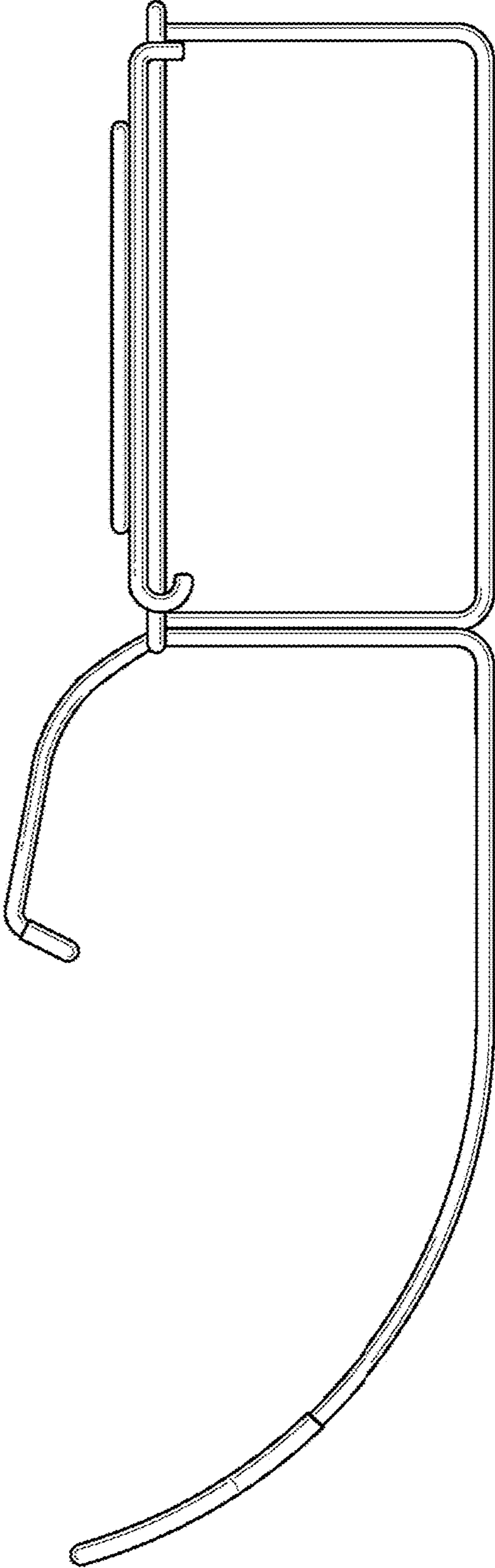


FIG. 4

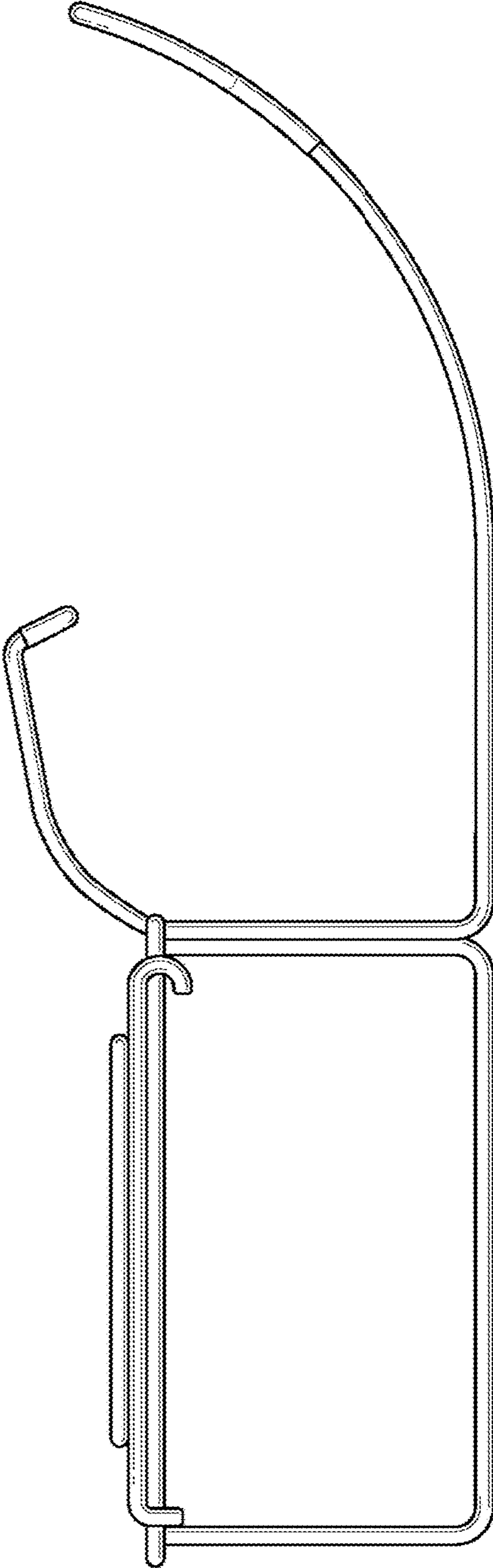


FIG. 5

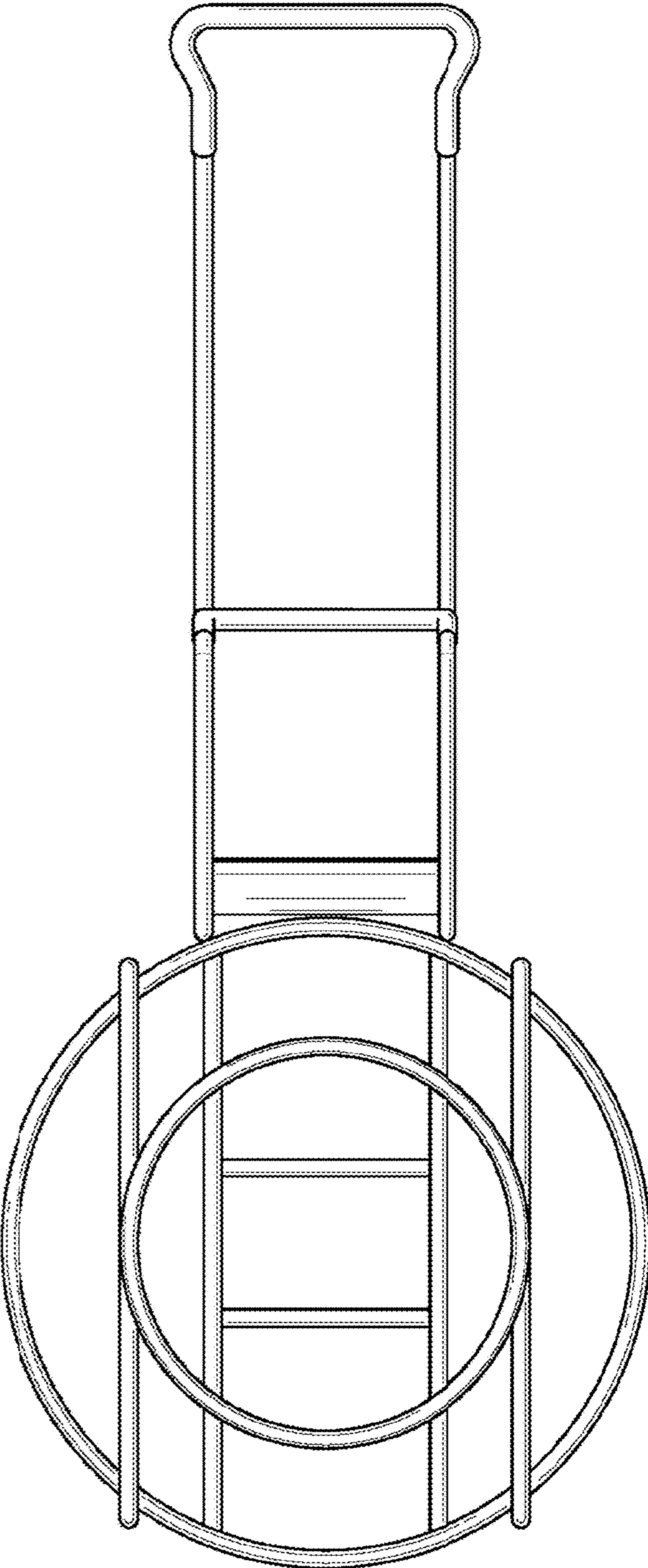


FIG. 6

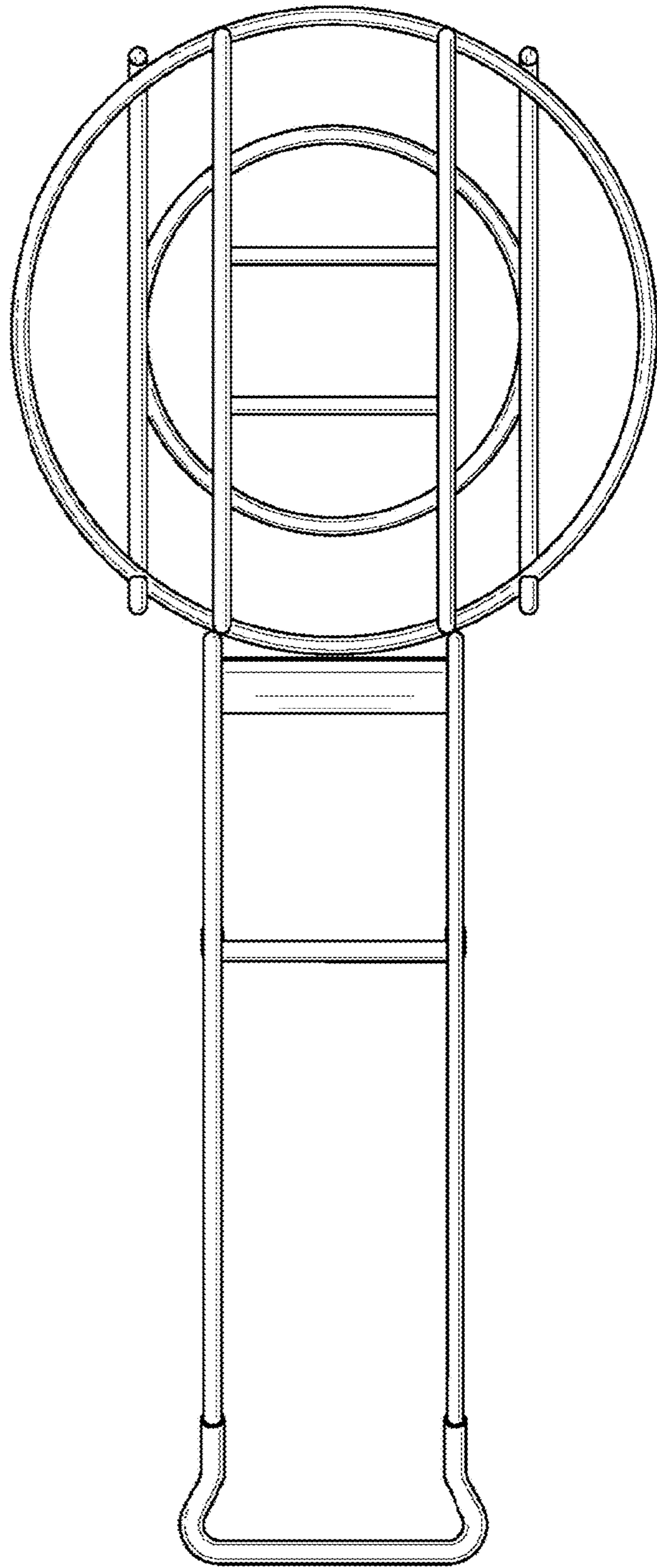


FIG. 7