



US00D751866S

(12) **United States Design Patent**  
**Sokoly**

(10) **Patent No.:** **US D751,866 S**  
(45) **Date of Patent:** **\*\* Mar. 22, 2016**

- (54) **INSULATED BEVERAGE HOLDER**
- (71) Applicant: **Bradley W. Sokoly**, Oviedo, FL (US)
- (72) Inventor: **Bradley W. Sokoly**, Oviedo, FL (US)
- (\*\*) Term: **14 Years**
- (21) Appl. No.: **29/485,579**
- (22) Filed: **Mar. 20, 2014**
- (51) **LOC (10) Cl.** ..... **07-01**
- (52) **U.S. Cl.**  
USPC ..... **D7/607; D7/624.2**
- (58) **Field of Classification Search**  
USPC ..... D7/619.1–625, 605–608;  
62/457.1–457.9, 529, 530, 371, 372;  
220/737–741, 902, 903, 592.16,  
220/592.17, 592.2, 592.24; 215/12.1, 12.2,  
215/13.1, 395, 396; D9/444; 383/71–74,  
383/10, 95, 113, 110, 109  
CPC ... F25D 3/08; F25D 31/007; F25D 2331/809;  
F25D 2331/803; F25D 2331/805; F25D  
2303/0845; A47G 23/0313; A47G 19/20;  
A47G 23/03; B65D 81/3886; B65D 81/3881  
See application file for complete search history.

4,540,611	A *	9/1985	Henderson	.....	B65D 23/08 220/903
4,871,597	A *	10/1989	Hobson	.....	B65D 81/3886 215/12.1
5,251,460	A *	10/1993	DeMarco	.....	B65D 81/3886 220/592.19
5,415,305	A *	5/1995	Drake-Tipton	.....	A47G 19/20 215/392
6,029,847	A *	2/2000	Mahoney, Jr.	.....	A45C 11/20 220/592.24
D595,994	S *	7/2009	Albritton	.....	D7/607
D596,465	S *	7/2009	Faulkner	.....	D7/607
2006/0242990	A1 *	11/2006	Kao	.....	F25D 3/08 62/457.4
2007/0170189	A1 *	7/2007	Carlile	.....	A45F 5/02 220/739
2010/0242528	A1 *	9/2010	Young	.....	F25D 3/06 62/457.4

\* cited by examiner

*Primary Examiner* — Terry Wallace  
(74) *Attorney, Agent, or Firm* — Gearhart Law LLC

(57) **CLAIM**  
I claim the ornamental design for an insulated beverage holder, as shown and described.

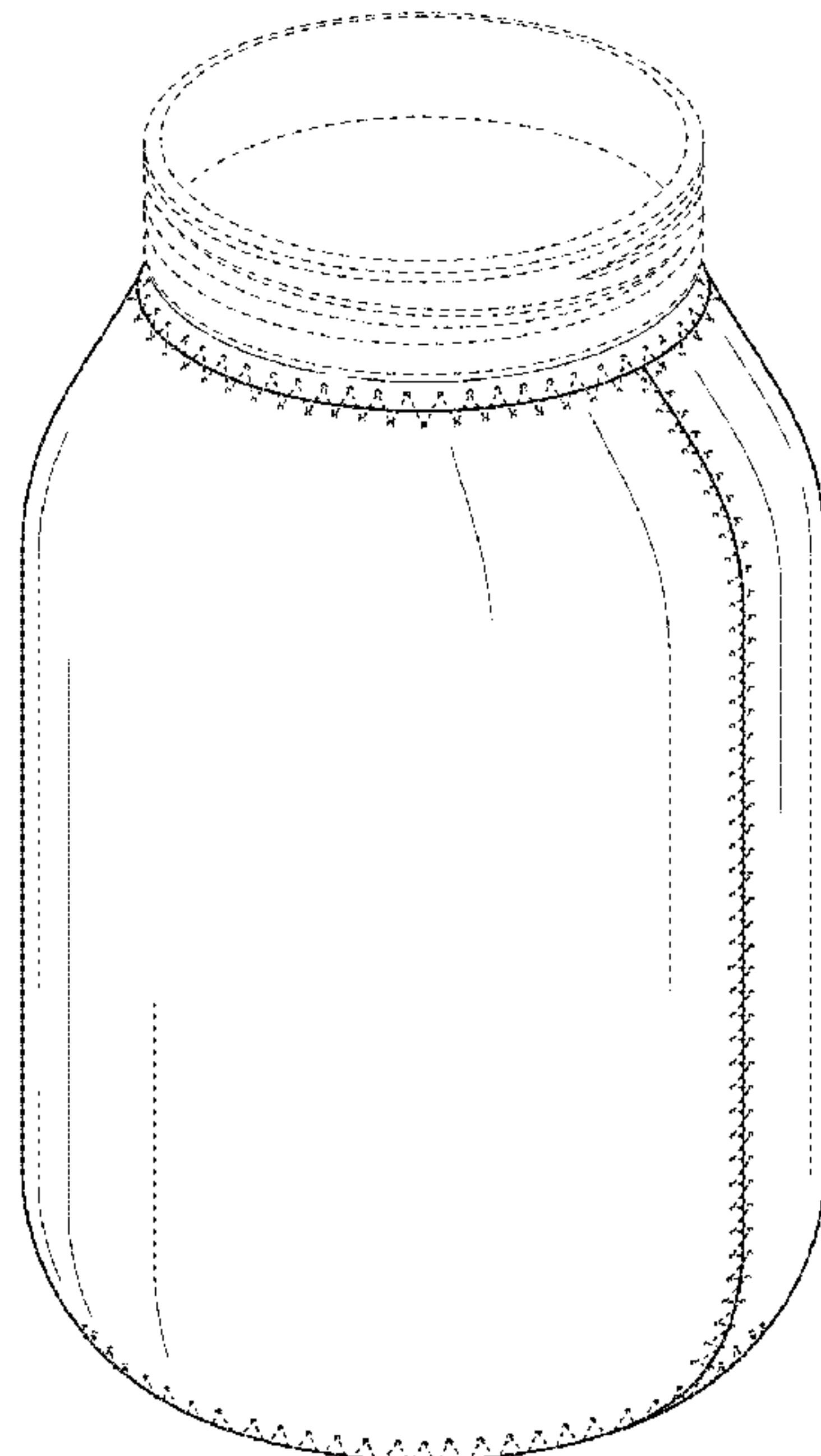
**DESCRIPTION**

FIG. 1 is a perspective view of the insulated beverage holder. FIG. 2 is a front view of the present invention as shown FIG. 1.  
FIG. 3 is a back view thereof.  
FIG. 4 is a side view of FIG. 1.  
FIG. 5 is another side view thereof.  
FIG. 6 is a top view of FIG. 1; and,  
FIG. 7 is a bottom view thereof.  
The broken lines are for illustrative purposes only and form no part of the claimed design.

**1 Claim, 4 Drawing Sheets**

(56) **References Cited**  
U.S. PATENT DOCUMENTS

2,035,384	A *	3/1936	Hinchliff	.....	B65D 81/3876 220/903
2,482,322	A *	9/1949	Cortese	.....	A61J 9/08 215/11.6
4,344,303	A *	8/1982	Kelly, Jr.	.....	A61F 7/10 215/12.1
4,514,995	A *	5/1985	Curtis	.....	A47G 23/03 220/903



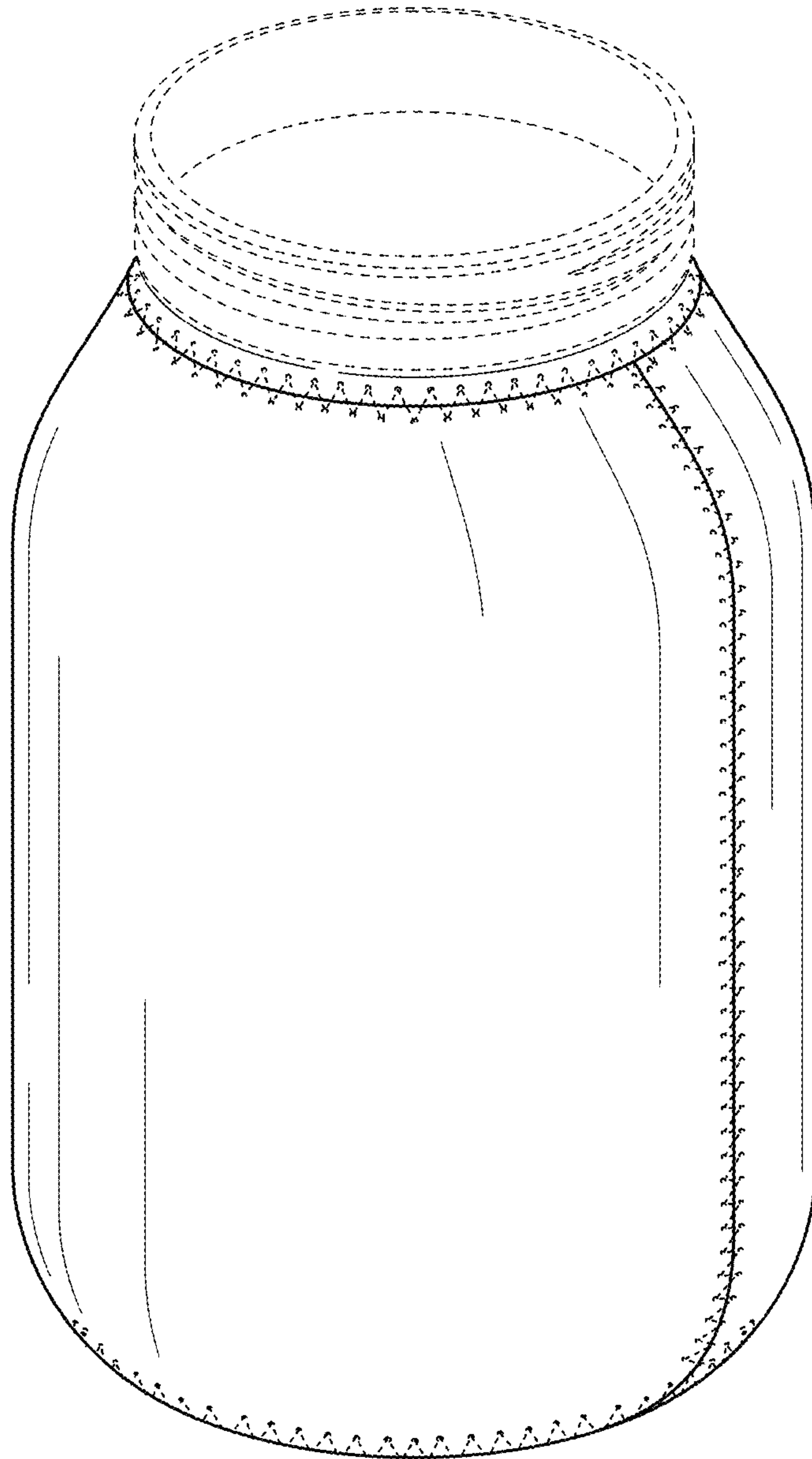


FIG. 1

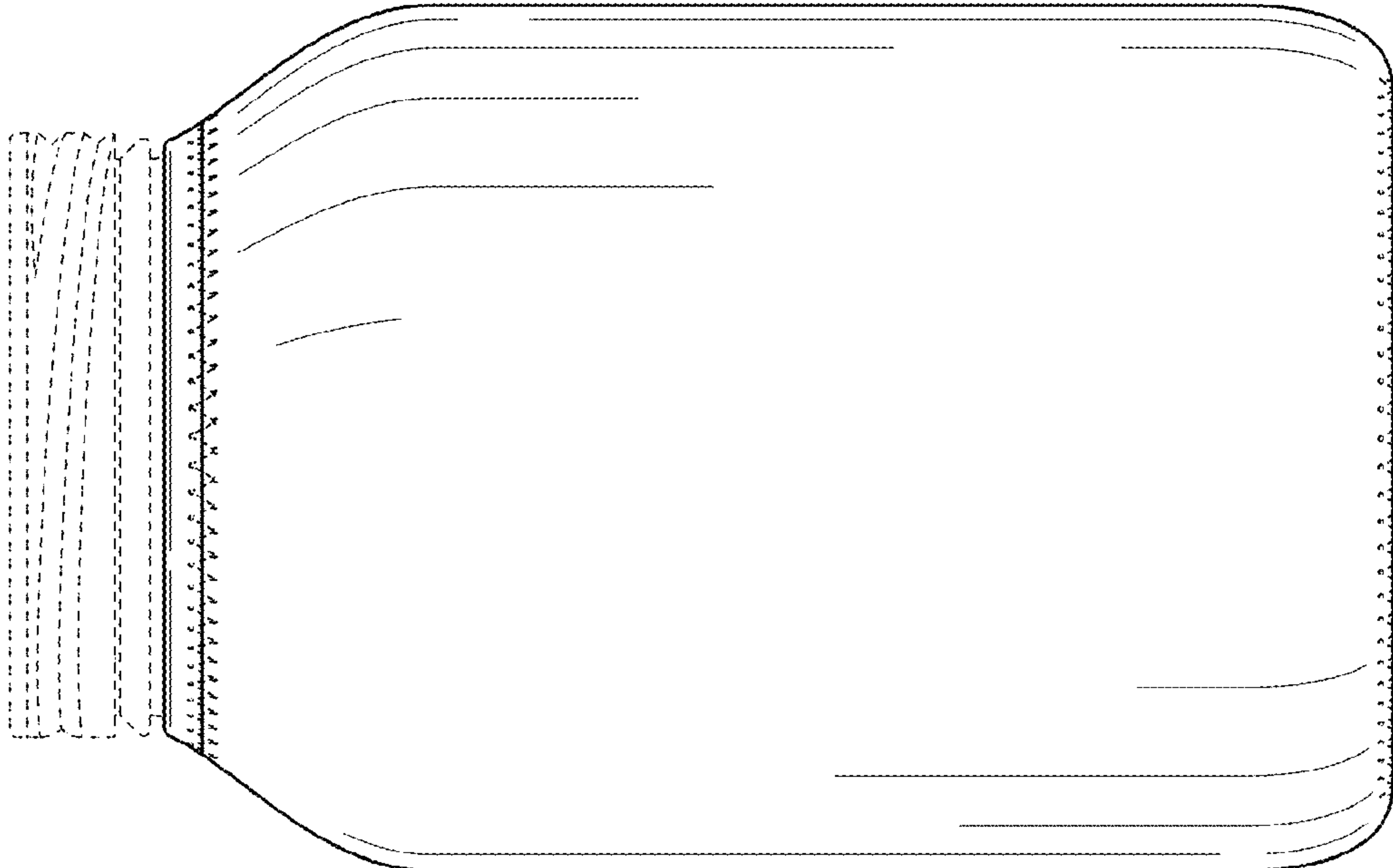


FIG. 2

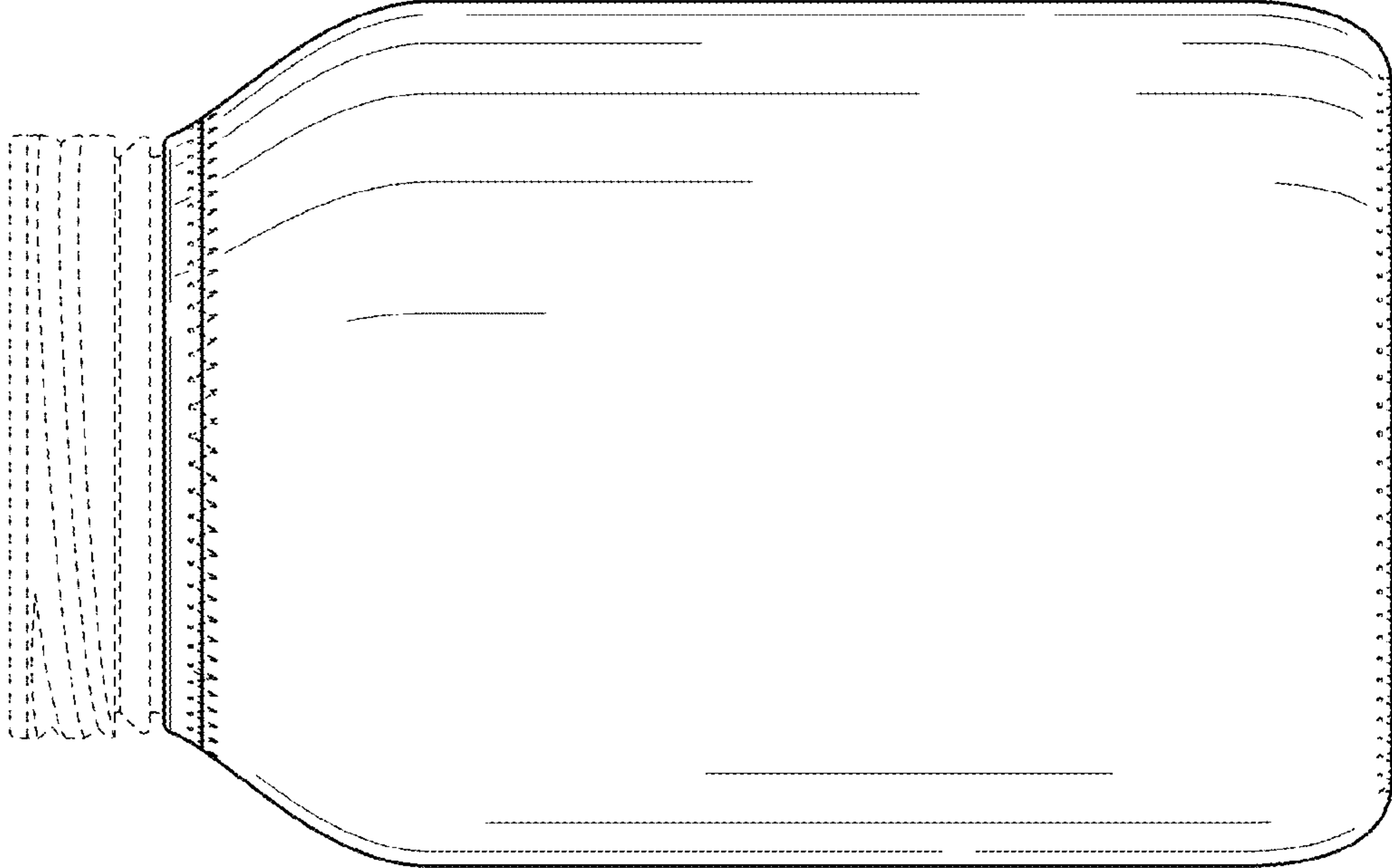


FIG. 3

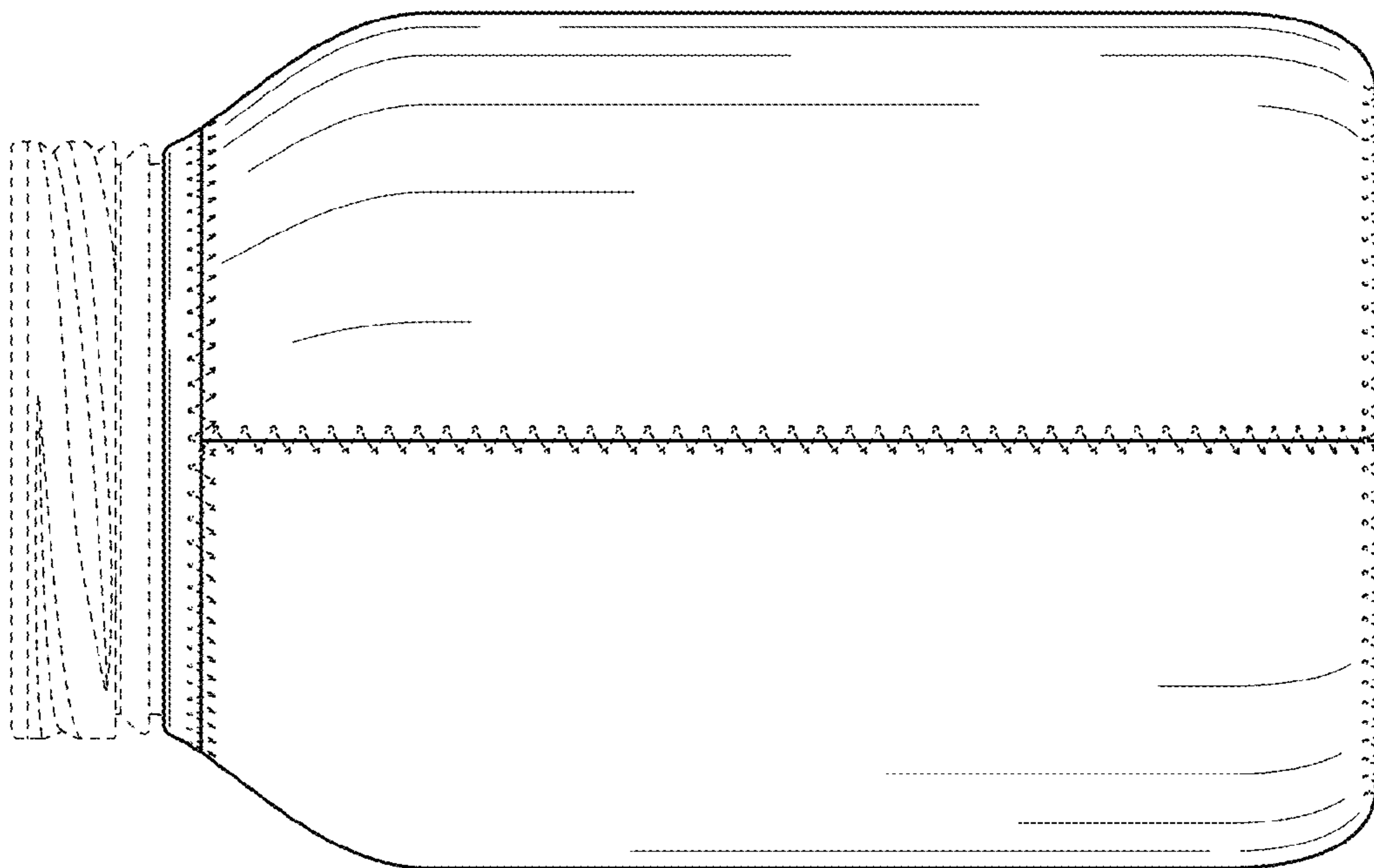


FIG. 5

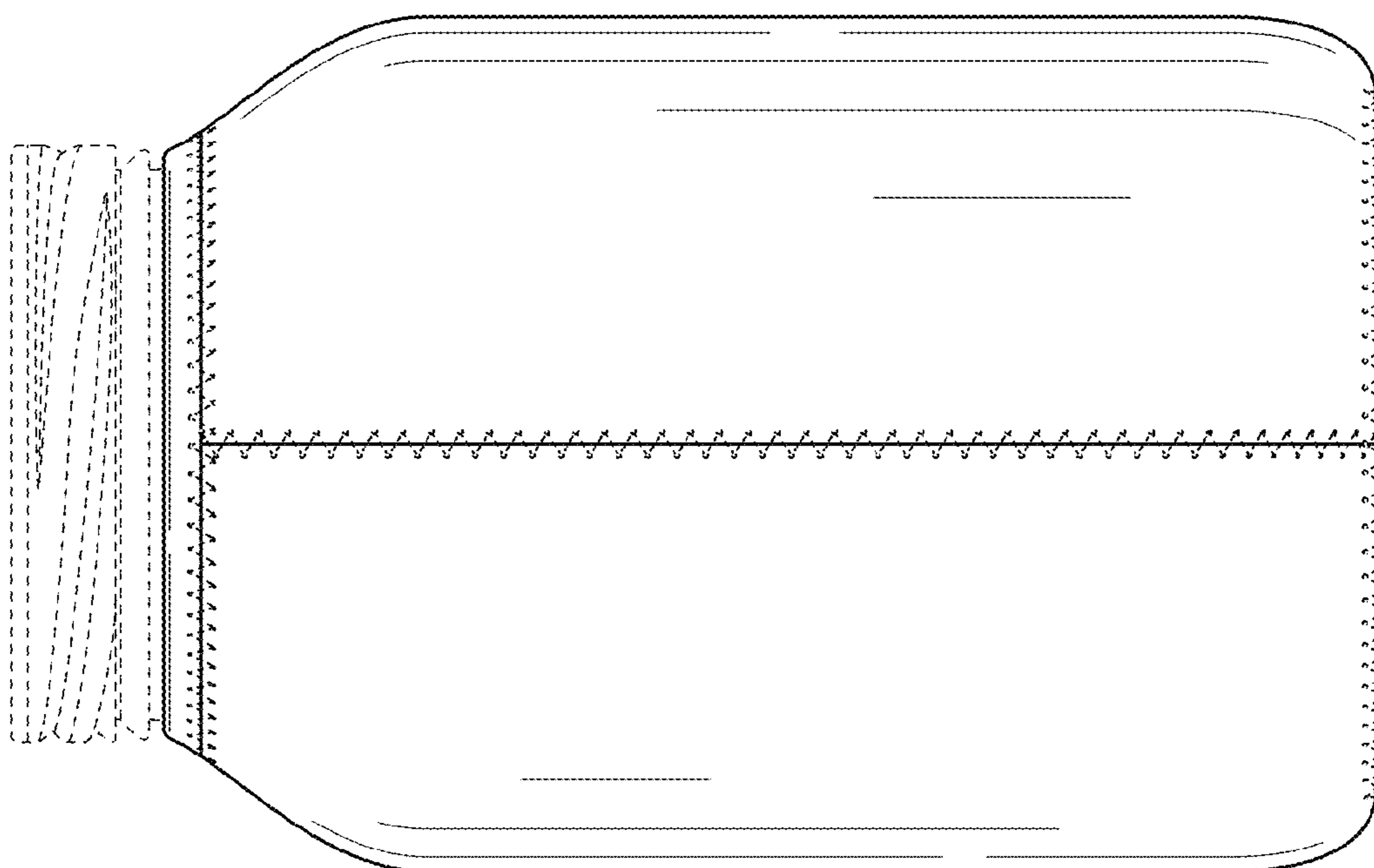


FIG. 4

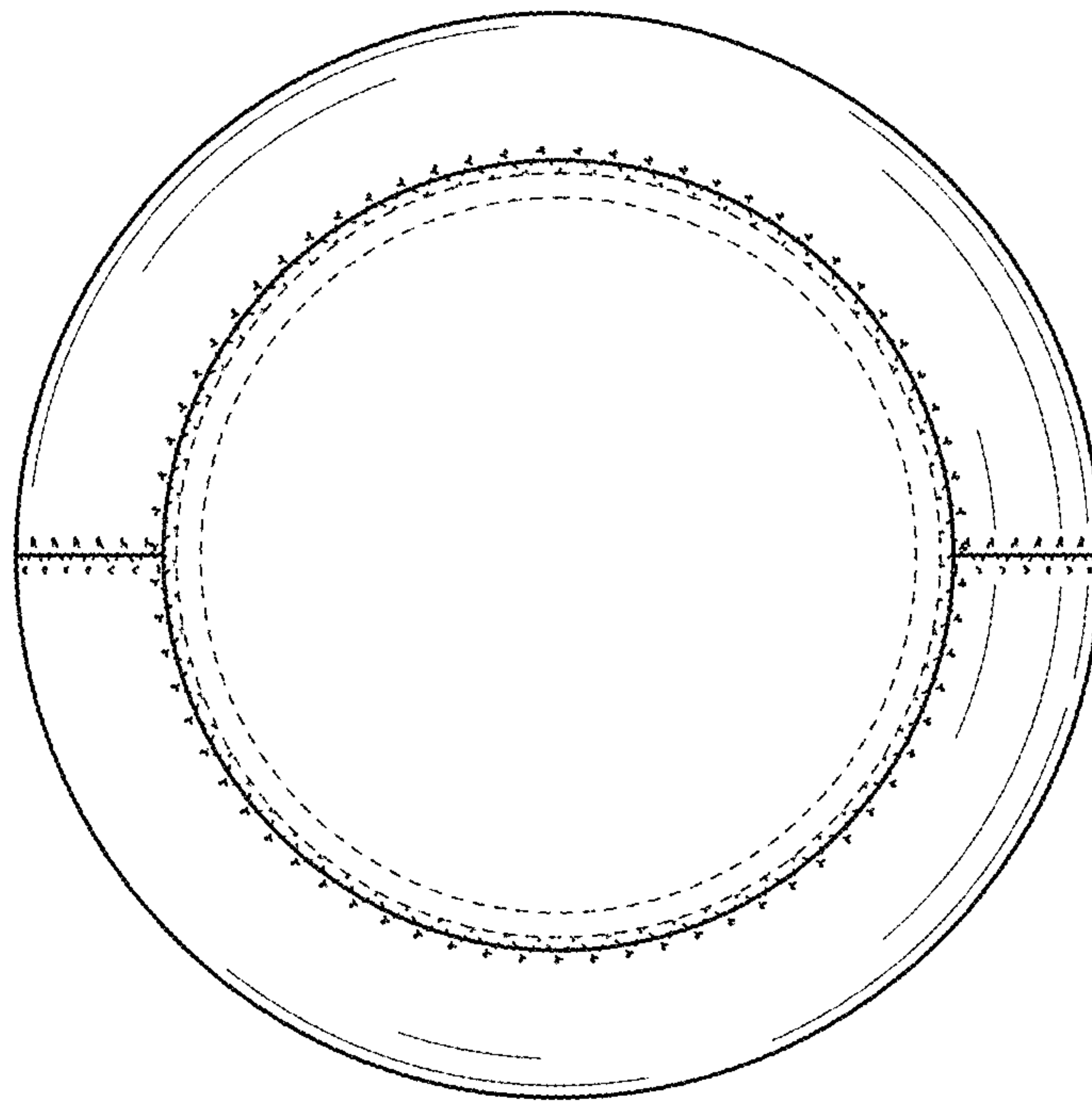


FIG. 6

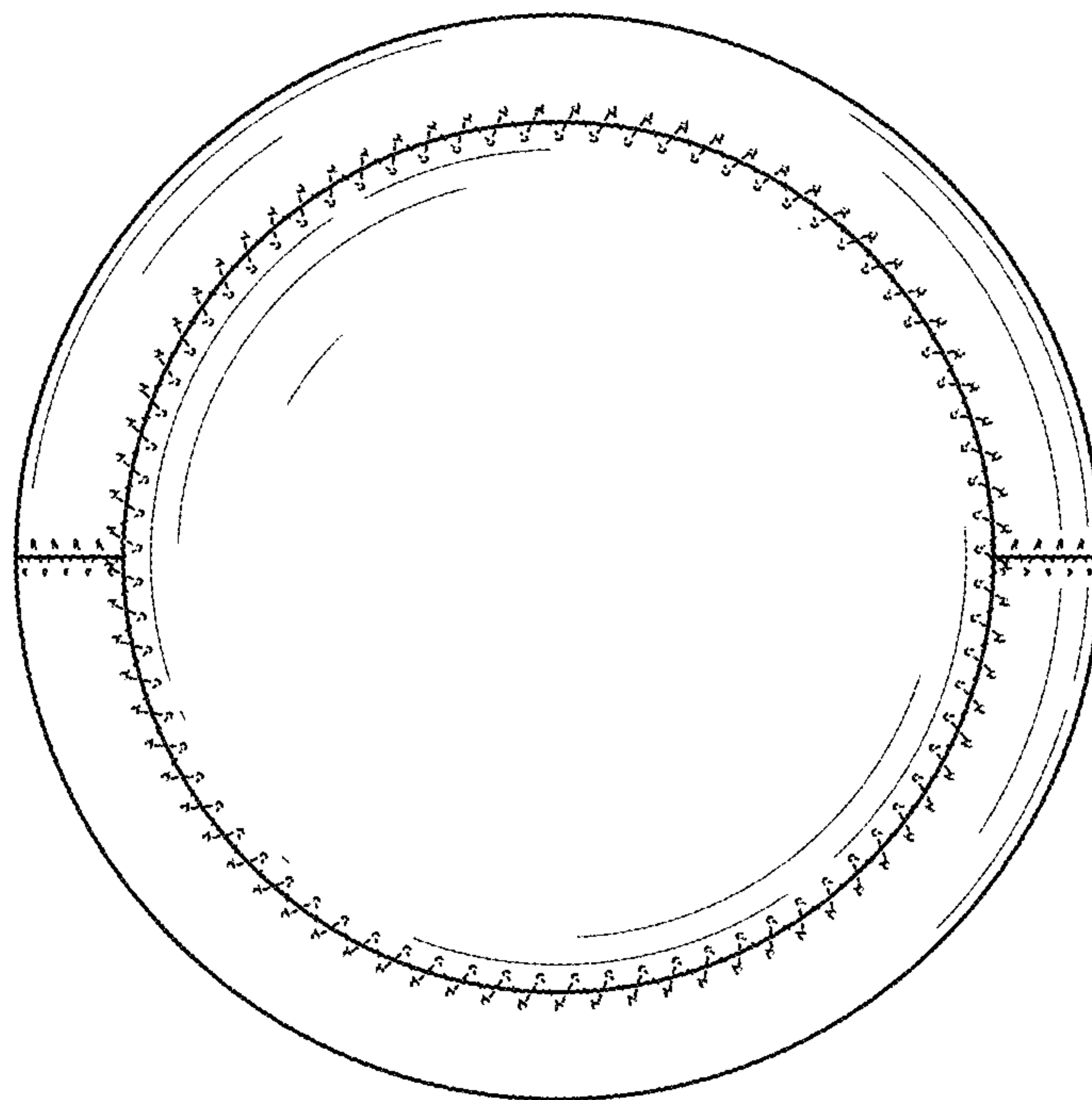


FIG. 7