



US00D751865S

(12) **United States Design Patent**
Harris et al.

(10) **Patent No.:** **US D751,865 S**
(45) **Date of Patent:** **** Mar. 22, 2016**

- (54) **FOOD SERVING TRAY**
- (71) Applicant: **Columbia Insurance Company,**
Omaha, NE (US)
- (72) Inventors: **E. Mark Harris,** McHenry, IL (US);
James C. Hand, Glen Ellyn, IL (US)
- (73) Assignee: **Columbia Insurance Company,**
Omaha, NE (US)
- (**) Term: **14 Years**
- (21) Appl. No.: **29/508,228**
- (22) Filed: **Nov. 4, 2014**
- (51) **LOC (10) Cl.** **07-01**
- (52) **U.S. Cl.**
USPC **D7/553.2**
- (58) **Field of Classification Search**
USPC D7/396.4, 501, 505, 571, 538, 540,
D7/541-543, 545, 546, 549, 552.1, 553,
D7/553.1, 553.2, 553.6, 554.2; D9/424,
D9/432, 716, 719, 738-740, 744-745, 756,
D9/759-760, 761; D30/130; 219/732;
220/500, 507, 553, 555
CPC B65D 1/34; B65D 21/00; B65D 21/0204
See application file for complete search history.

- 3,710,589 A 1/1973 Brown et al.
- D229,916 S 1/1974 Schneider
- 3,859,819 A 1/1975 Kaplan
- 3,920,178 A 11/1975 Moller
- D241,703 S 10/1976 Ashton
- D247,025 S 1/1978 Cherry
- 4,147,277 A 4/1979 Bateman et al.
- 4,287,943 A 9/1981 Hotta
- 4,383,422 A 5/1983 Gordon et al.
- D277,632 S 2/1985 Staufenberg
- 4,520,633 A 6/1985 Hoydic
- 4,553,692 A 11/1985 Padovani
- 4,567,877 A 2/1986 Sepahpur
- D285,638 S 9/1986 Trivison
- D286,360 S 10/1986 Trivison
- 4,650,076 A 3/1987 Padovani
- 4,741,176 A 5/1988 Johnson et al.

(Continued)

OTHER PUBLICATIONS

Design U.S. Appl. No. 29/508,225, filed Nov. 4, 2014.

Primary Examiner — Kelley Donnelly
(74) *Attorney, Agent, or Firm* — Neal, Gerber & Eisenberg, LLP

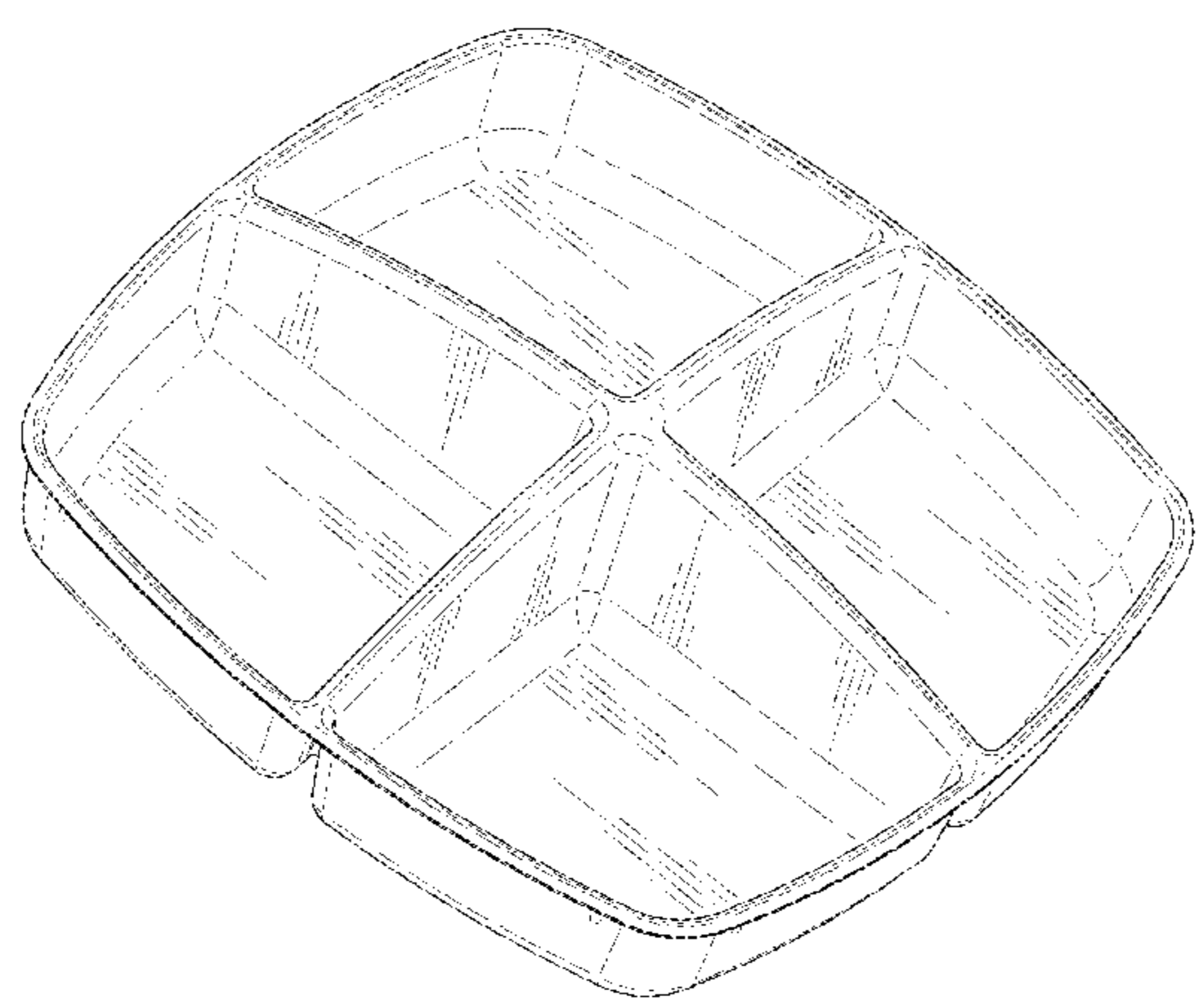
(57) **CLAIM**
The ornamental design for a food serving tray, as shown and described.

DESCRIPTION

FIG. 1 is a top perspective view of the food serving tray of the present invention;
FIG. 2 is a bottom perspective view thereof;
FIG. 3 is a top plan view thereof;
FIG. 4 is a bottom plan view thereof;
FIG. 5 is a front elevational view thereof; and,
FIG. 6 is a rear elevational view thereof, opposite from the front elevational view.
The broken lines in the drawings illustrate the portions of the design that form no part of the claim.

1 Claim, 5 Drawing Sheets

- (56) **References Cited**
- U.S. PATENT DOCUMENTS
- 1,429,207 A 9/1922 Koppelman et al.
- 1,543,443 A 6/1925 Koppelman
- D112,168 S 11/1938 Bennett
- 2,634,039 A 4/1953 Schwertfeger
- 3,130,288 A 4/1964 Monaco et al.
- 3,307,603 A 3/1967 Swett
- D216,186 S 12/1969 Edwards
- 3,484,035 A 12/1969 Swett et al.
- 3,493,164 A 2/1970 Edwards
- D219,673 S 1/1971 Daenn



(56)

References Cited

U.S. PATENT DOCUMENTS

4,842,143	A	6/1989	McKee, Sr. et al.				
4,869,387	A	9/1989	Persson				
D304,658	S *	11/1989	Mattei	D7/505			
4,898,273	A	2/1990	Kristiansen				
4,924,048	A	5/1990	Bunce et al.				
D312,026	S *	11/1990	Antoni et al.	D7/553.6			
4,989,419	A	2/1991	Brando et al.				
5,307,647	A	5/1994	McClure				
5,423,449	A	6/1995	Gordon et al.				
D368,409	S *	4/1996	Schwartz	D7/553.6			
5,538,136	A	7/1996	Onneweer				
5,568,735	A	10/1996	Newkirk et al.				
5,701,757	A	12/1997	Heverly				
5,704,485	A	1/1998	Cautereels et al.				
5,890,613	A	4/1999	Williams				
D416,751	S *	11/1999	Sawyer et al.	D7/359			
6,012,583	A	1/2000	Ramirez				
6,085,535	A	7/2000	Richmond et al.				
6,086,931	A	7/2000	Whiteford				
D444,058	S	6/2001	Hampshire et al.				
6,250,104	B1	6/2001	Bostic				
6,378,325	B1	4/2002	Yang				
D459,950	S	7/2002	Bush et al.				
6,419,089	B1	7/2002	Dall				
6,434,961	B2	8/2002	Richmond et al.				
6,540,084	B2	4/2003	Silvers				
6,581,795	B1	6/2003	Schulein et al.				
6,601,403	B1	8/2003	Roth et al.				
D484,000	S *	12/2003	Levien	D7/553.6			
D486,991	S *	2/2004	Lee	D7/357			
6,761,041	B2	7/2004	Roth et al.				
6,843,062	B2	1/2005	Crete				
6,851,274	B2	2/2005	Martino				
D515,880	S	2/2006	Lerner				
7,007,813	B2	3/2006	Yang				
D524,662	S	7/2006	Fager et al.				
7,131,289	B2	11/2006	Harl et al.				
D545,523	S *	6/2007	Goldberg et al.	D34/11			
7,225,633	B2	6/2007	DeMars				
7,288,745	B2	10/2007	Colonna				
7,353,951	B2	4/2008	Vovan				
7,427,001	B1	9/2008	Keitges				
7,438,200	B1	10/2008	Keitges				
D605,470	S	12/2009	Sluiman				
7,718,924	B2	5/2010	Claffy				
D623,901	S *	9/2010	Clark	D7/549			
D623,902	S *	9/2010	Henderson et al.	D7/553.2			
D626,380	S	11/2010	Harris				
D632,526	S	2/2011	Coursey				
D634,164	S	3/2011	Coursey				
D685,613	S *	7/2013	Baez	D7/553.1			
D691,857	S *	10/2013	Muspratt-Williams et al.	D7/553.6			
D698,665	S *	2/2014	Sifuentes et al.	D9/761			
D698,940	S *	2/2014	Pribenszky	D24/224			
D723,392	S *	3/2015	Sifuentes	D9/425			
D728,383	S *	5/2015	Sifuentes	D9/425			
D729,588	S *	5/2015	Breton	D7/553.2			
D731,248	S *	6/2015	Breton	D7/553.2			
D734,097	S *	7/2015	Vue	D7/553.1			
D734,098	S *	7/2015	Breton	D7/553.6			
2003/0226844	A1	12/2003	Felknor et al.				
2006/0065702	A1	3/2006	Beese				
2008/0087037	A1	4/2008	Rapaz				
2008/0216507	A1	9/2008	Tremblay				
2008/0283437	A1	11/2008	St-Onge				

* cited by examiner

FIG. 1

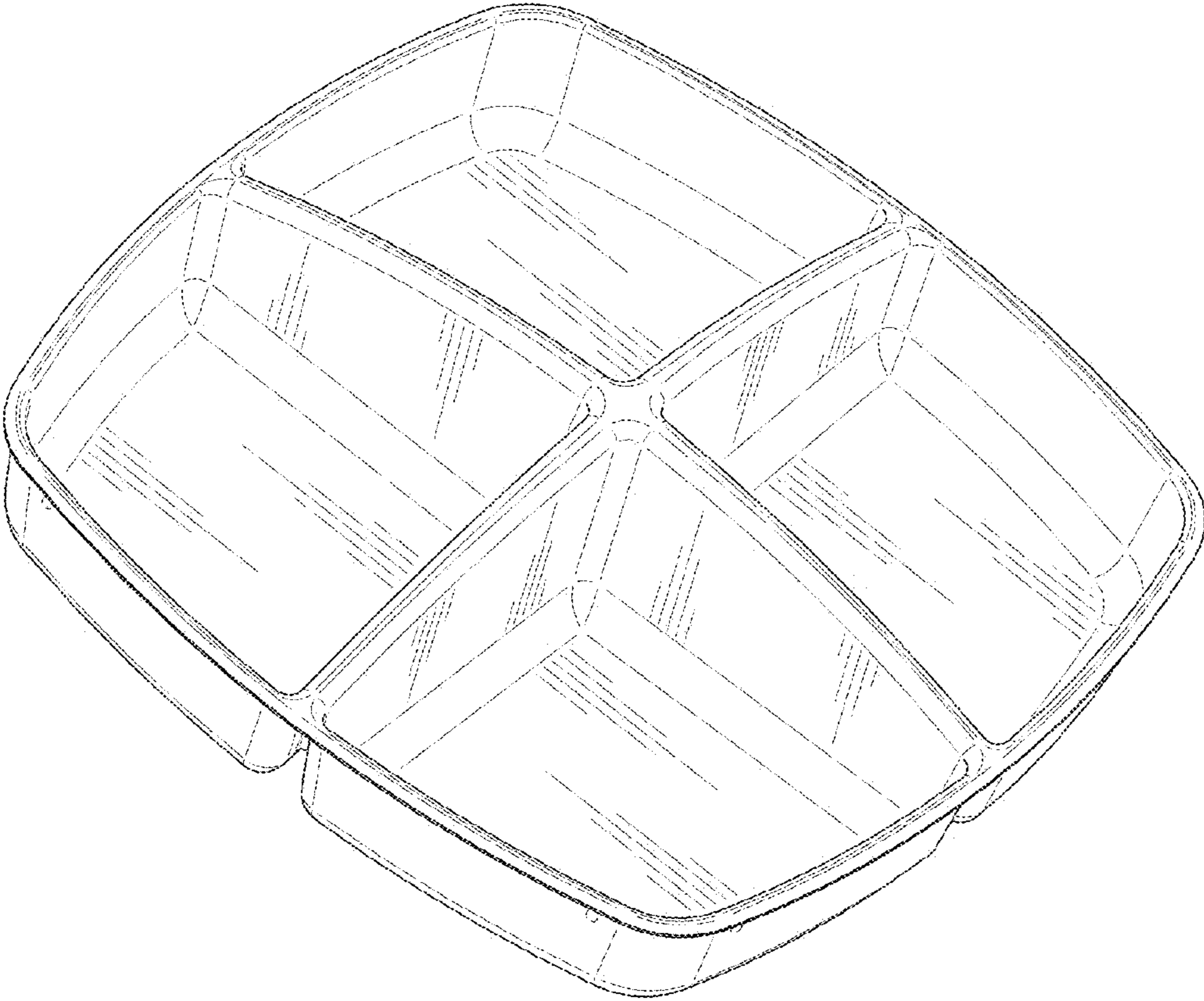


FIG. 2

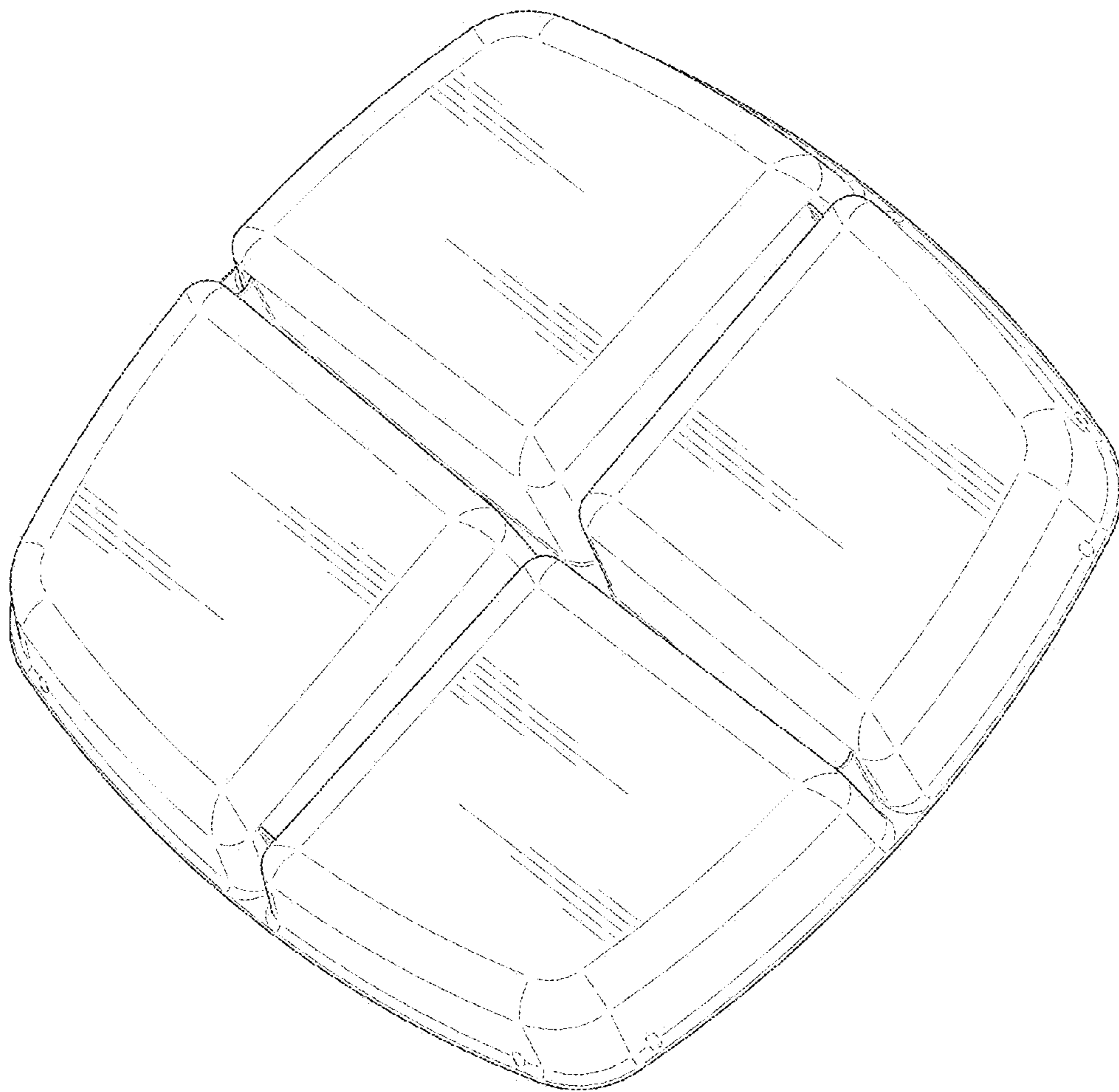


FIG. 3

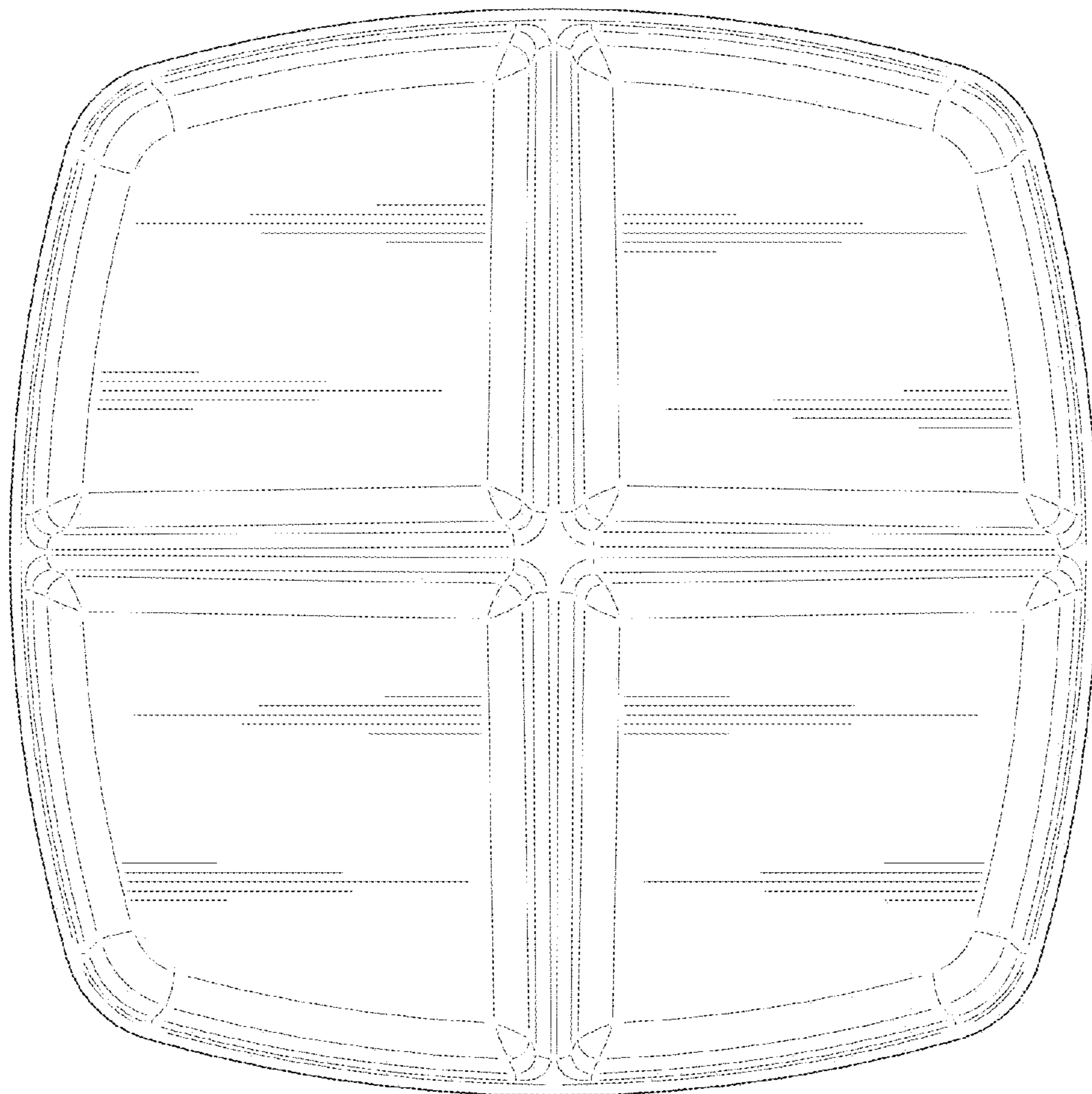


FIG. 4

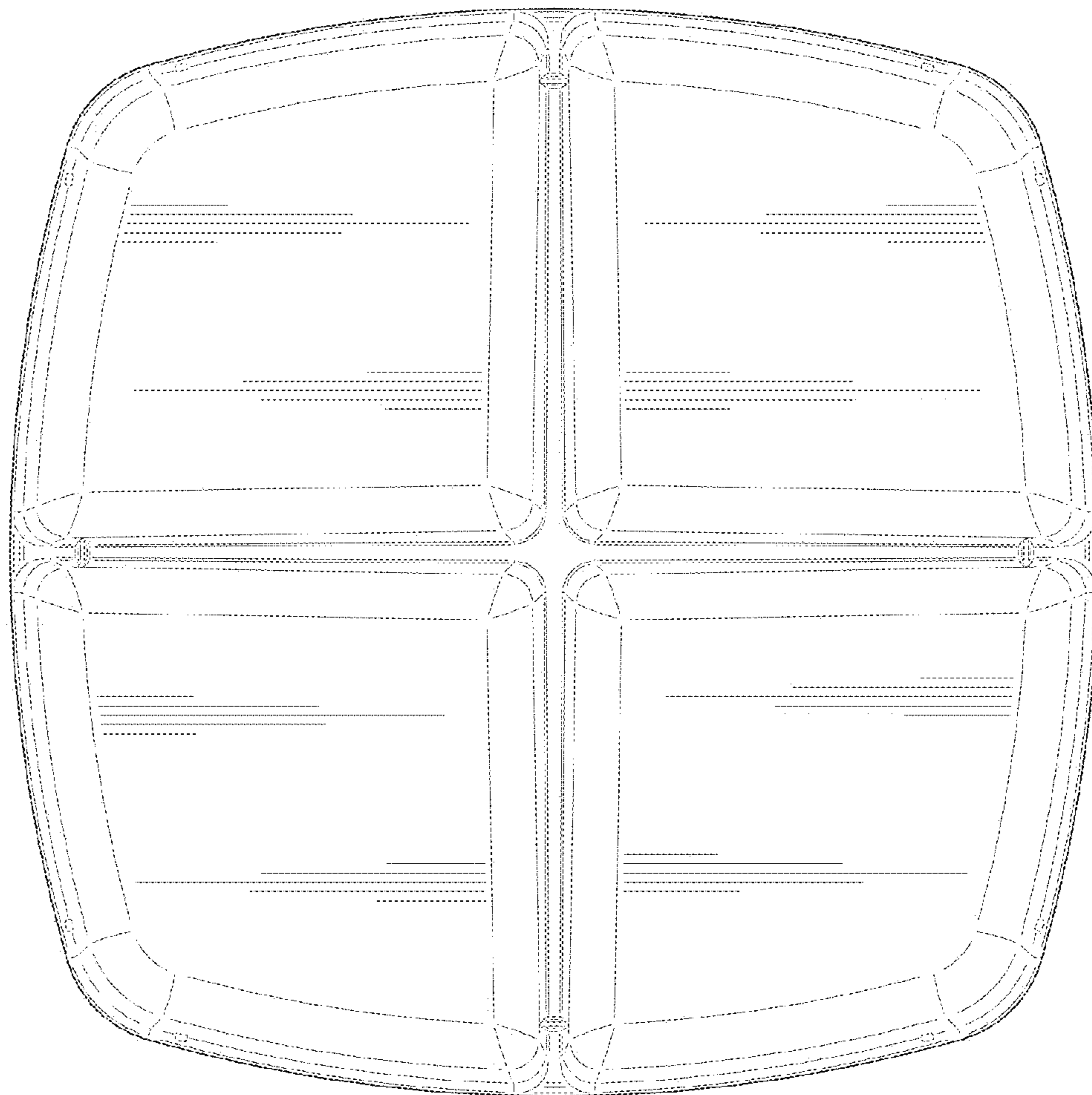


FIG. 5

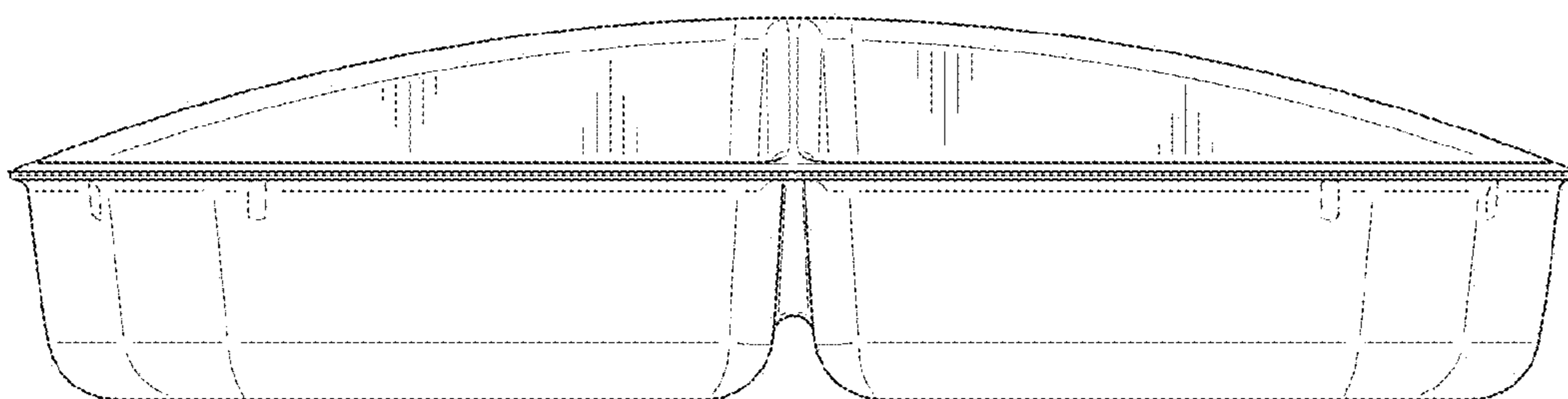


FIG. 6

