



US00D751863S

(12) **United States Design Patent**  
**Eyal**

(10) **Patent No.:** **US D751,863 S**  
(45) **Date of Patent:** **\*\* Mar. 22, 2016**

(54) **BEVERAGE CONTAINER**

- (71) Applicant: **ETS EXPRESS, INC.**, Oxnard, CA (US)
  - (72) Inventor: **Sharon Eyal**, Oxnard, CA (US)
  - (73) Assignee: **ETS EXPRESS, INC.**, Oxnard, CA (US)
  - (\*\*) Term: **14 Years**
  - (21) Appl. No.: **29/520,735**
  - (22) Filed: **Mar. 17, 2015**
  - (51) **LOC (10) Cl.** ..... **07-01**
  - (52) **U.S. Cl.**  
USPC ..... **D7/514; D7/515; D7/507; D9/651**
  - (58) **Field of Classification Search**  
USPC ..... D7/500, 501, 503, 505, 507, 509, 510, D7/511, 512, 523, 529, 530, 531, 514, 515, D7/553.4, 553.5, 553.6, 554.1, 553.7, D7/553.8, 554.2, 555, 543, 542, 545, 540, D7/546, 547, 548, 549, 552.1, 557, 566, D7/586, 587, 601, 602, 600.1, 600, 708.1, D7/708, 619.1, 620, 622, 632, 664, 400, D7/388, 701, 396.3; D30/129, 130, 111, D30/112, 102; D11/143, 144, 153, 164, 1, D11/11, 37, 89; D32/54, 53.1, 73; 220/592.16, 592.17, 23.4, 23.83, 703, 220/216, 217; D9/554, 695, 433, 455, 456, D9/499, 430, 429, 428, 427, 426, 424, 441, D9/651, 600, 712, 414, 425, 435, 440; D3/201, 202; D10/46.2, 121, 119.3, D10/104.1; D26/20, 21, 22, 23, 16  
CPC ..... A47G 23/08; A47G 19/32; A47G 2019/2277; A47G 19/2216; A47G 19/2211; A47G 19/22; B65D 21/02; B65D 1/265; B65D 3/06; A45F 2003/205; A45F 3/20; G10K 5/00
- See application file for complete search history.

(56) **References Cited**

U.S. PATENT DOCUMENTS

D130,341 S *	11/1941	Enlson .....	D29/126
D359,237 S *	6/1995	Nakamura .....	D9/560
D480,271 S *	10/2003	Lin .....	D7/523
D488,672 S *	4/2004	Oas .....	D7/507
D561,535 S *	2/2008	Jin .....	D7/509
D573,026 S *	7/2008	Tsai .....	D9/435
D595,090 S *	6/2009	Benson .....	D7/509
D595,590 S *	7/2009	Lablaine .....	D9/516
D622,592 S *	8/2010	Niikura .....	D9/445
D622,613 S *	8/2010	Baron .....	D9/550
D628,895 S *	12/2010	Simmons .....	D9/541
D634,212 S *	3/2011	Kruetzkamp .....	D9/690
D644,114 S *	8/2011	Williams .....	D9/550
D726,500 S *	4/2015	Ke .....	D7/523
D728,363 S *	5/2015	Dubos .....	D9/425
D729,012 S *	5/2015	Ke .....	D7/512
D732,889 S *	6/2015	Eyal .....	D7/396.2
2015/0216343 A1 *	8/2015	Price .....	C03C 27/10 220/592.17

\* cited by examiner

*Primary Examiner* — Marianne Pandozzi

*Assistant Examiner* — Jae Liang

(74) *Attorney, Agent, or Firm* — Kleinberg & Lerner, LLP; Marvin H. Kleinberg; Marshall A. Lerner

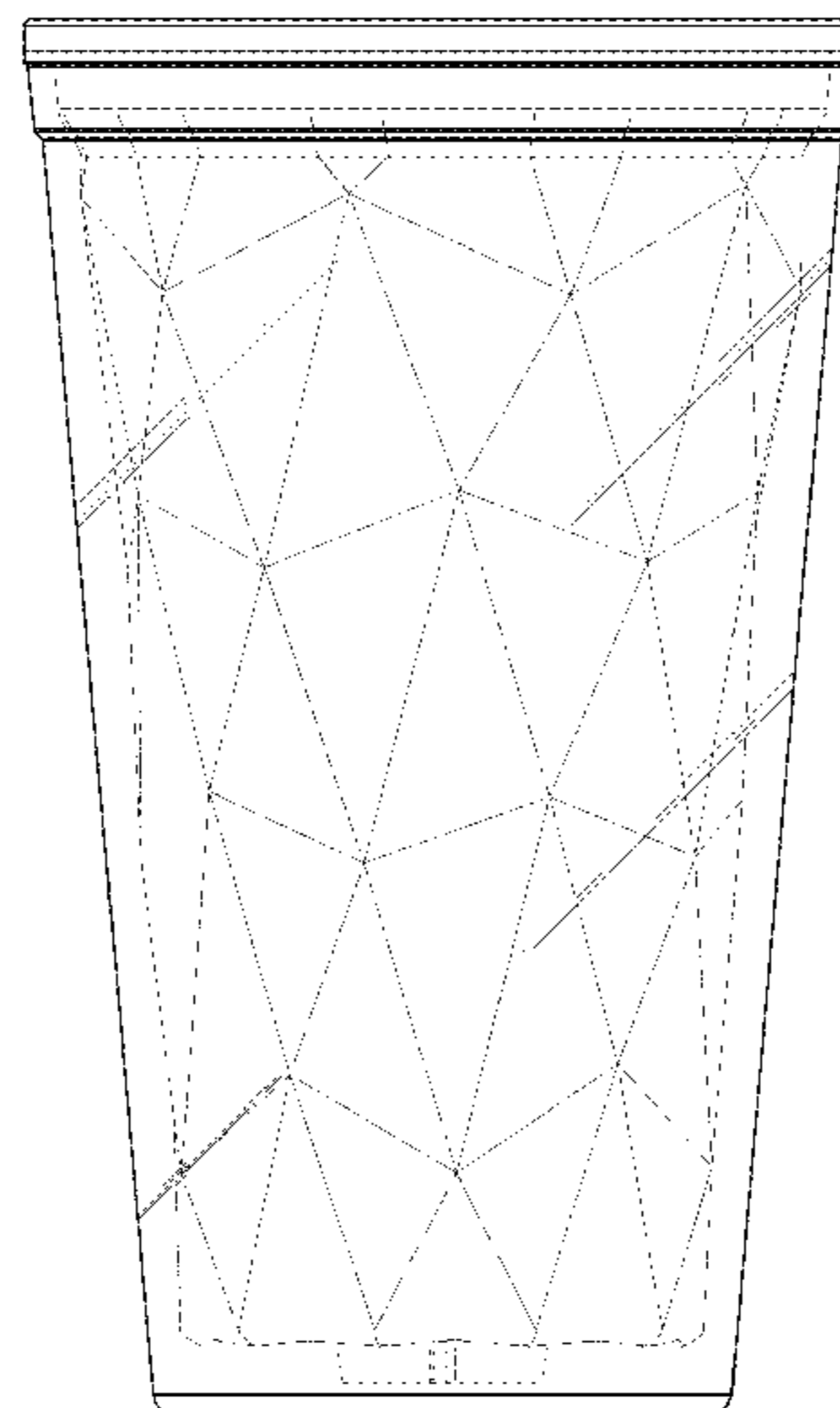
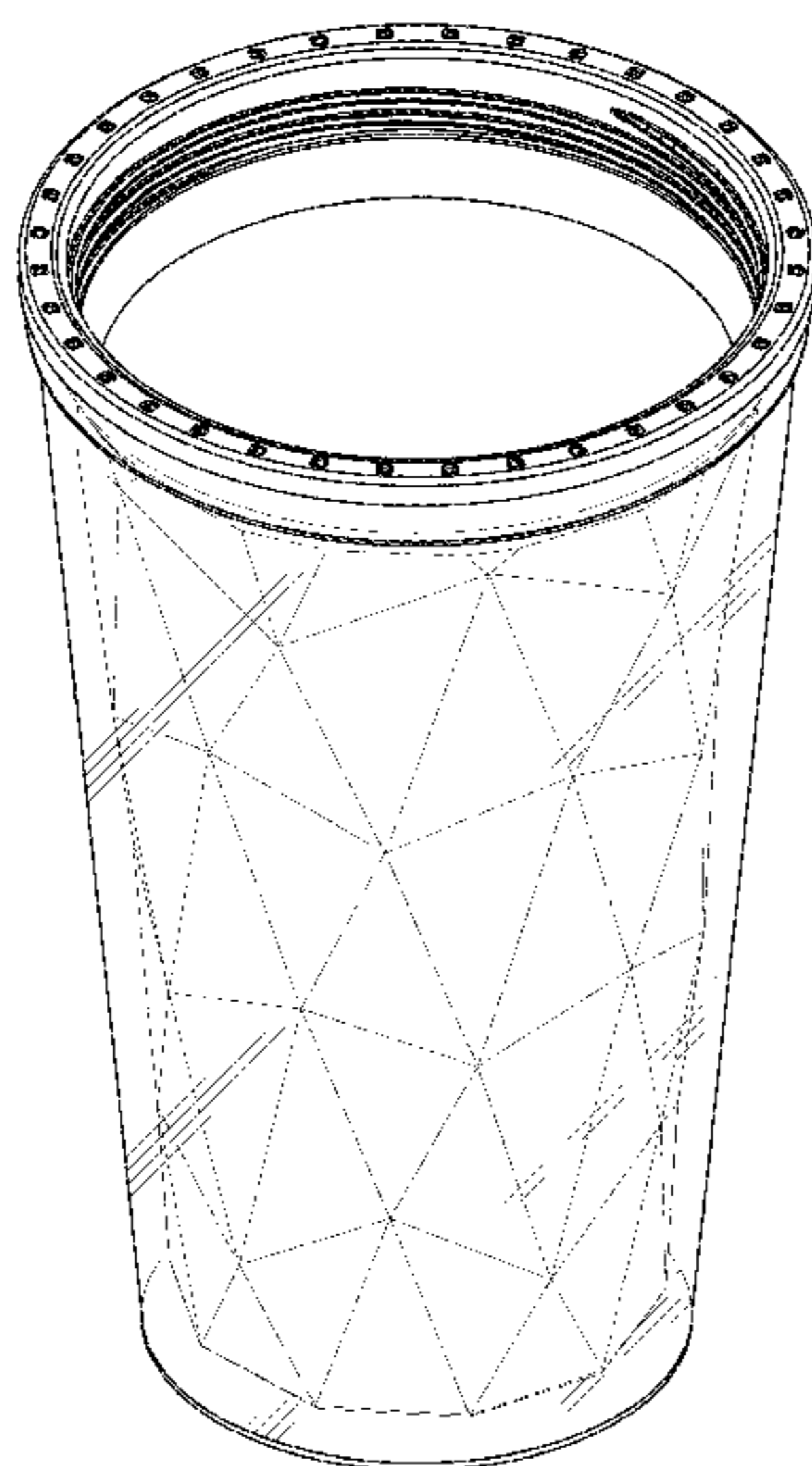
(57) **CLAIM**

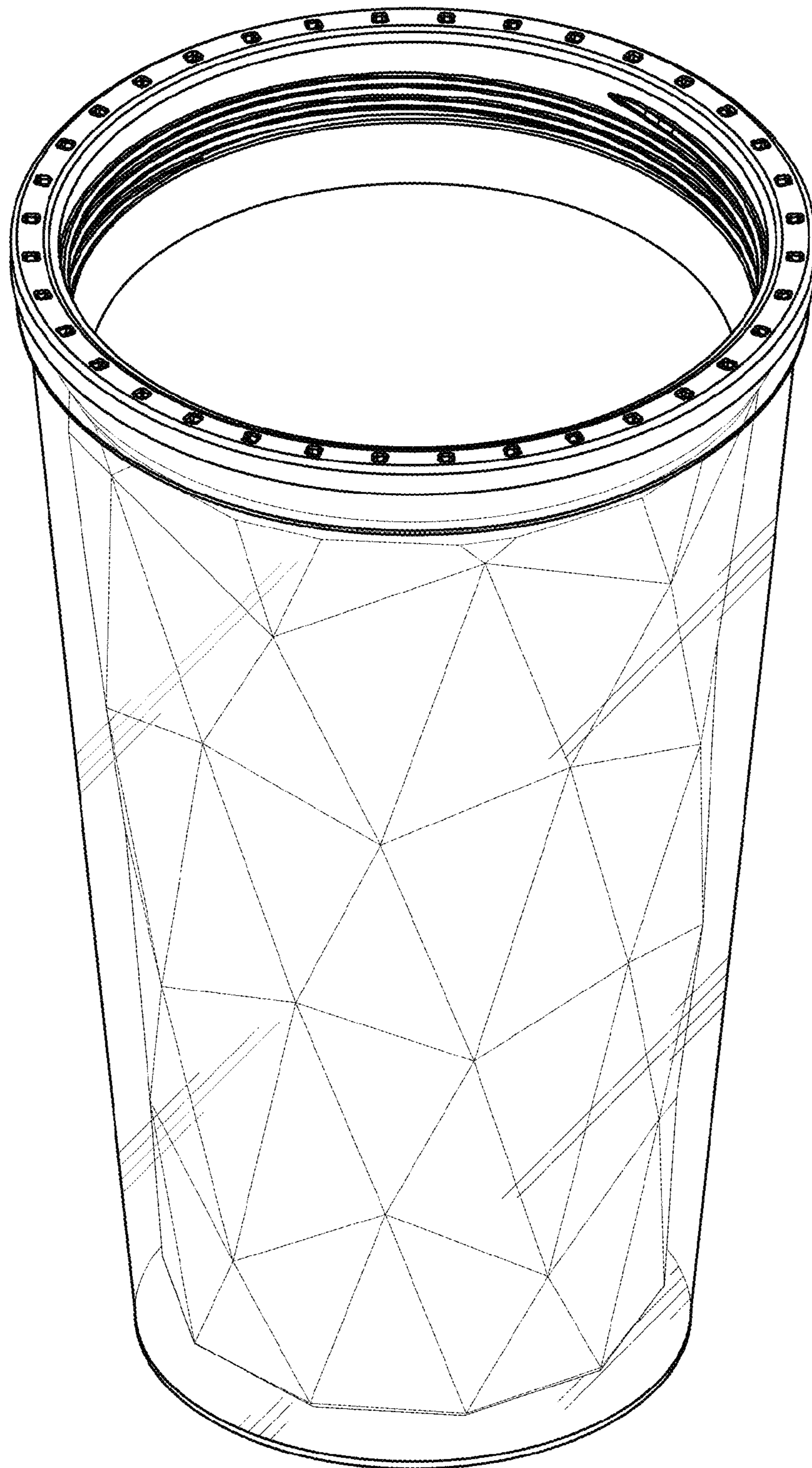
The ornamental design for a beverage container, as shown and described.

**DESCRIPTION**

FIG. 1 is a perspective view of a beverage container showing my new design;  
FIG. 2 is a front view thereof;  
FIG. 3 is a top plan view thereof; and,  
FIG. 4 is a bottom plan view thereof.

**1 Claim, 3 Drawing Sheets**





**FIG. 1**

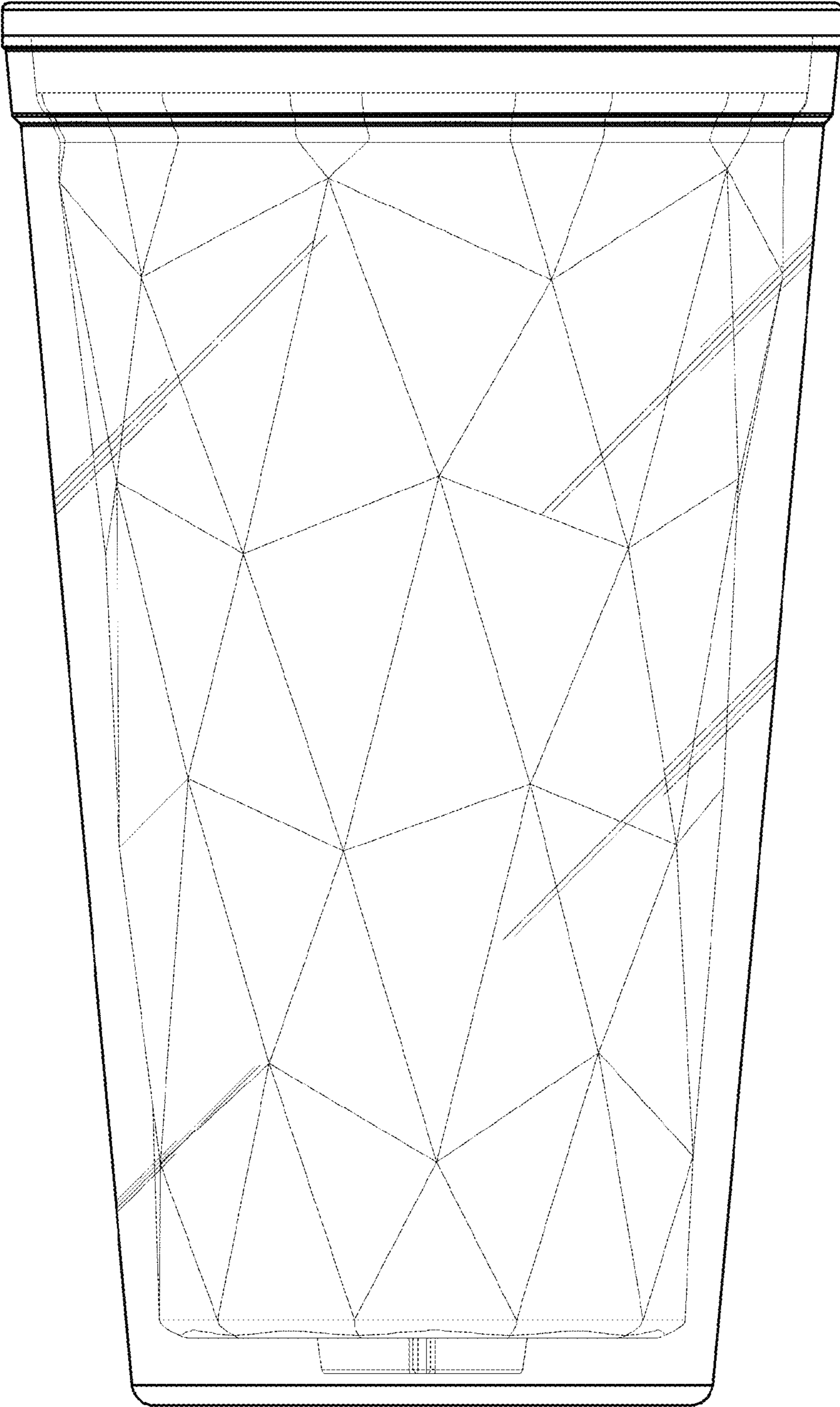
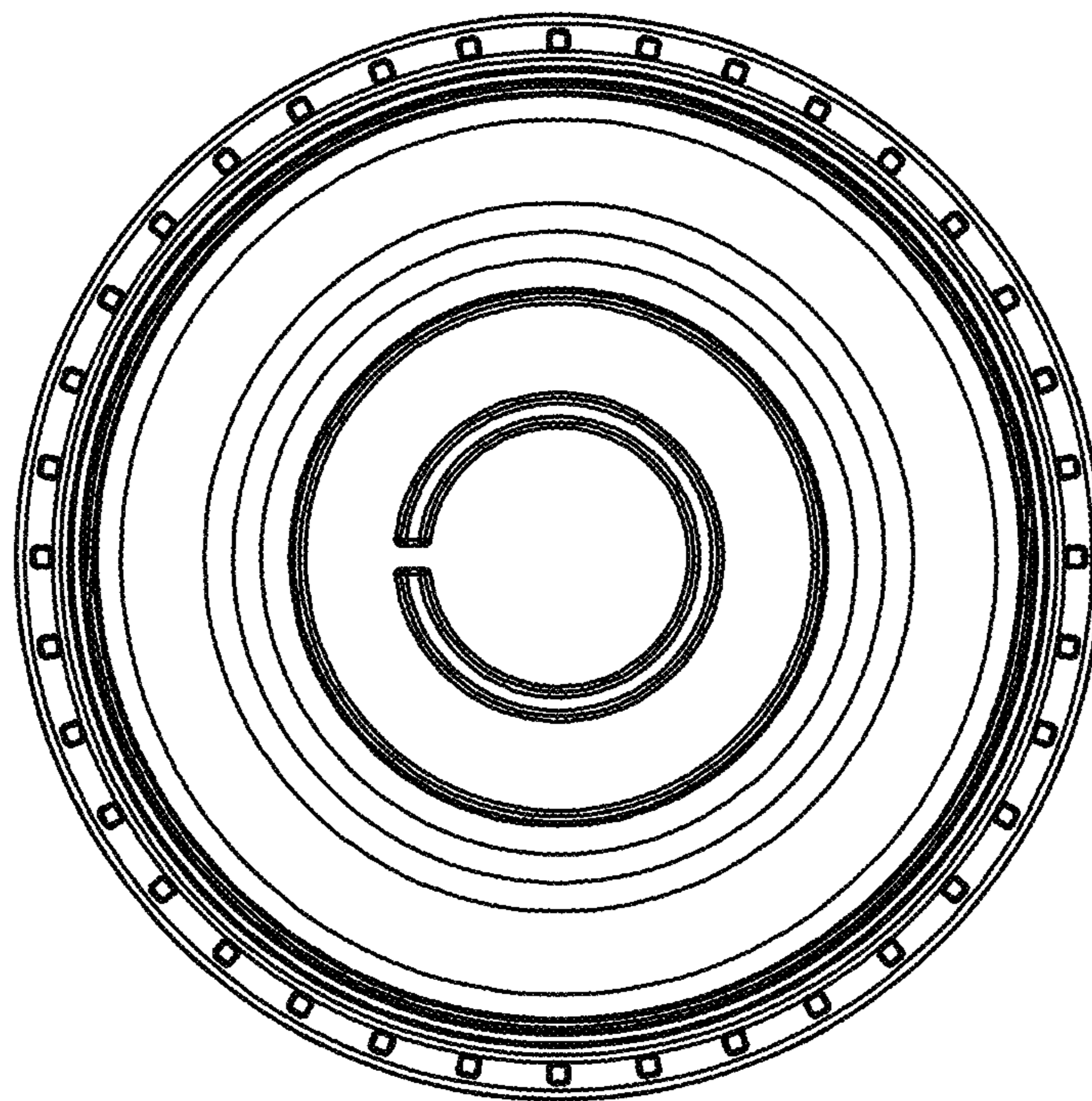
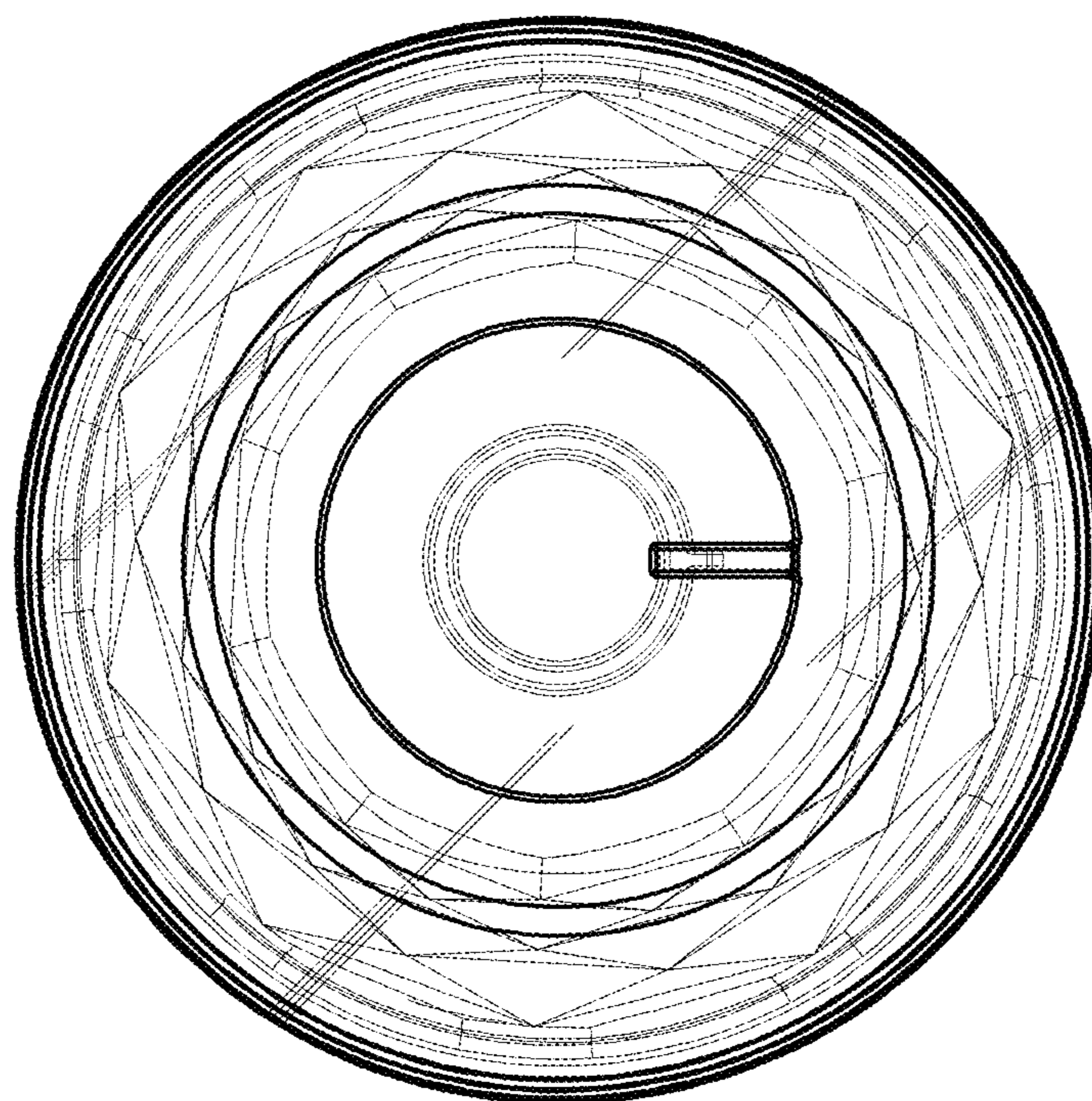


FIG. 2





**FIG. 3**



**FIG. 4**