



US00D751862S

(12) **United States Design Patent**  
**deBretton Gordon**

(10) **Patent No.:** **US D751,862 S**  
(45) **Date of Patent:** **\*\* Mar. 22, 2016**

(54) **KITCHEN KNIFE HANDLE**

(71) Applicant: **Robert Welch Designs, Ltd.**, Chipping  
Campden, Gloucestershire (GB)

(72) Inventor: **Iain Paul deBretton Gordon**,  
Shipston-on-Stour (GB)

(73) Assignee: **Robert Welch Designs Ltd**, Chipping  
Campden, Gloucestershire (GB)

(\*\*) Term: **14 Years**

(21) Appl. No.: **29/521,204**

(22) Filed: **Mar. 20, 2015**

(51) **LOC (10) Cl.** ..... **07-03**

(52) **U.S. Cl.**  
USPC ..... **D7/401.2; D7/649**

(58) **Field of Classification Search**  
USPC ..... D7/393-395, 401.2, 642-652, 693,  
D7/695-696; D8/93, 97-100, 107, 300,  
D8/321; D22/117-118  
CPC ..... A01B 1/20; A01B 1/22; A22C 25/006;  
A47G 21/06; A47G 21/065; A61B 17/3211;  
A61B 17/3213; B21D 53/64; B25G 3/36;  
B26B 1/00; B26B 1/08; B26B 1/10; B26B  
3/00; B26B 3/02; B26B 3/03; B26B 3/04;  
B26B 3/06; B26B 5/00; B26B 5/001; B26B  
5/007; B26B 7/00; B26B 7/005; B26B 9/00;  
B26B 9/02; B26B 11/00; B26B 11/006;  
B26B 17/00; B26B 17/006; B26B 29/02

See application file for complete search history.

(56) **References Cited**

U.S. PATENT DOCUMENTS

D169,413 S *	4/1953	Borrdelon	.....	30/340
D418,026 S *	12/1999	Joergensen	.....	D7/649
D545,140 S *	6/2007	Hasegawa	.....	D7/649
D557,980 S *	12/2007	de Bretton Gordon	.....	D7/401.2
D697,377 S *	1/2014	Wandrup	.....	D7/649
D708,476 S *	7/2014	Wandrup	.....	D7/401.2
D708,488 S *	7/2014	Wandrup	.....	D7/401.2

\* cited by examiner

*Primary Examiner* — Ricky Pham

(74) *Attorney, Agent, or Firm* — MacMillan, Sobanski &  
Todd, LLC

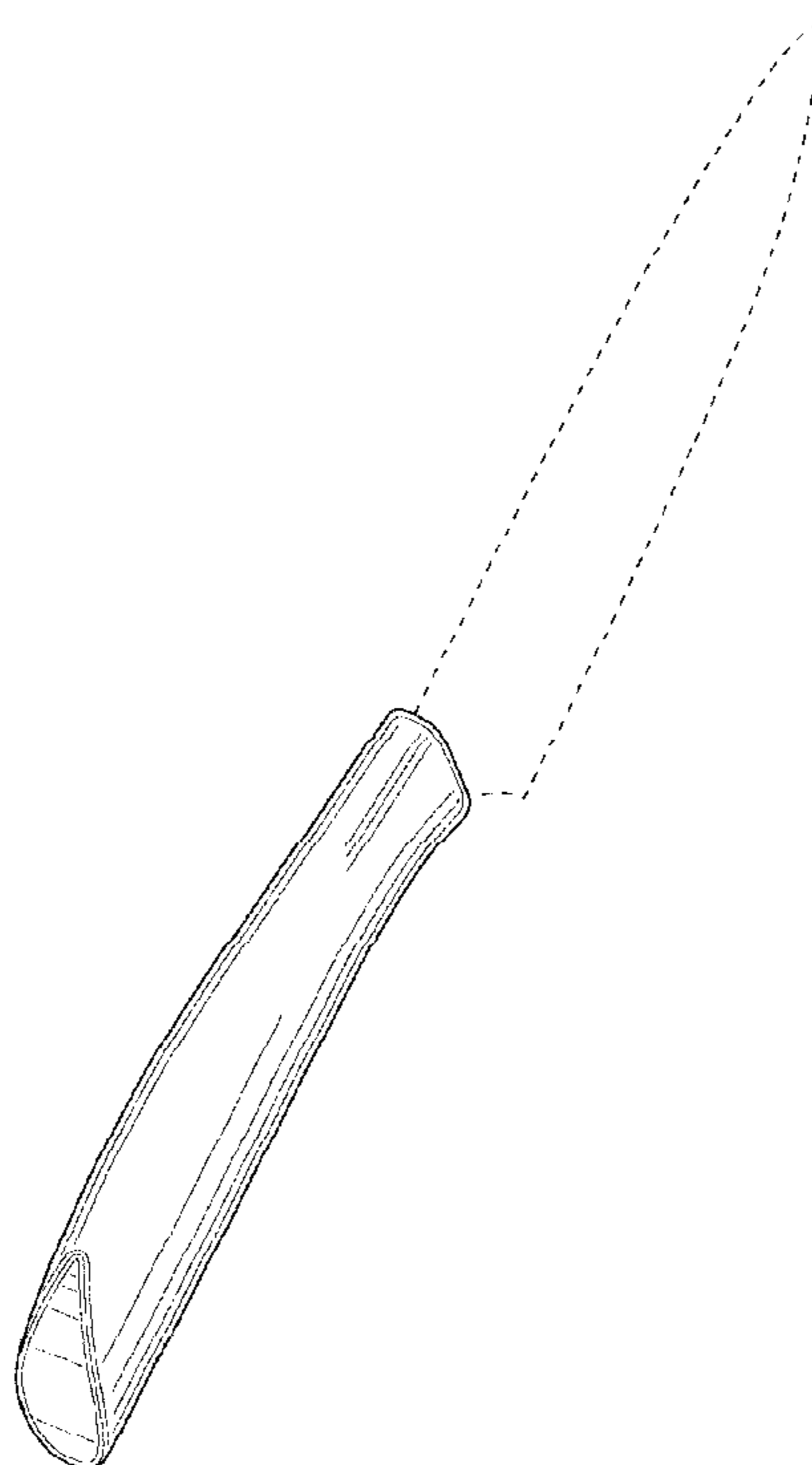
(57) **CLAIM**

The ornamental design for a kitchen knife handle, as shown  
and described.

**DESCRIPTION**

FIG. 1 is a perspective view as seen from the upper right side  
of a kitchen knife handle showing my new design;  
FIG. 2 is a right side elevational view thereof, the left side  
being a mirror image thereof;  
FIG. 3 is a top plan view thereof;  
FIG. 4 is a bottom view thereof;  
FIG. 5 is an end view thereof as seen from the handle end of  
the knife; and,  
FIG. 6 is an end view thereof as seen from the blade end of the  
knife.  
The dashed lines show the orientation of an exemplary knife  
blade on the handle and do not form a part of the claimed  
design.

**1 Claim, 5 Drawing Sheets**



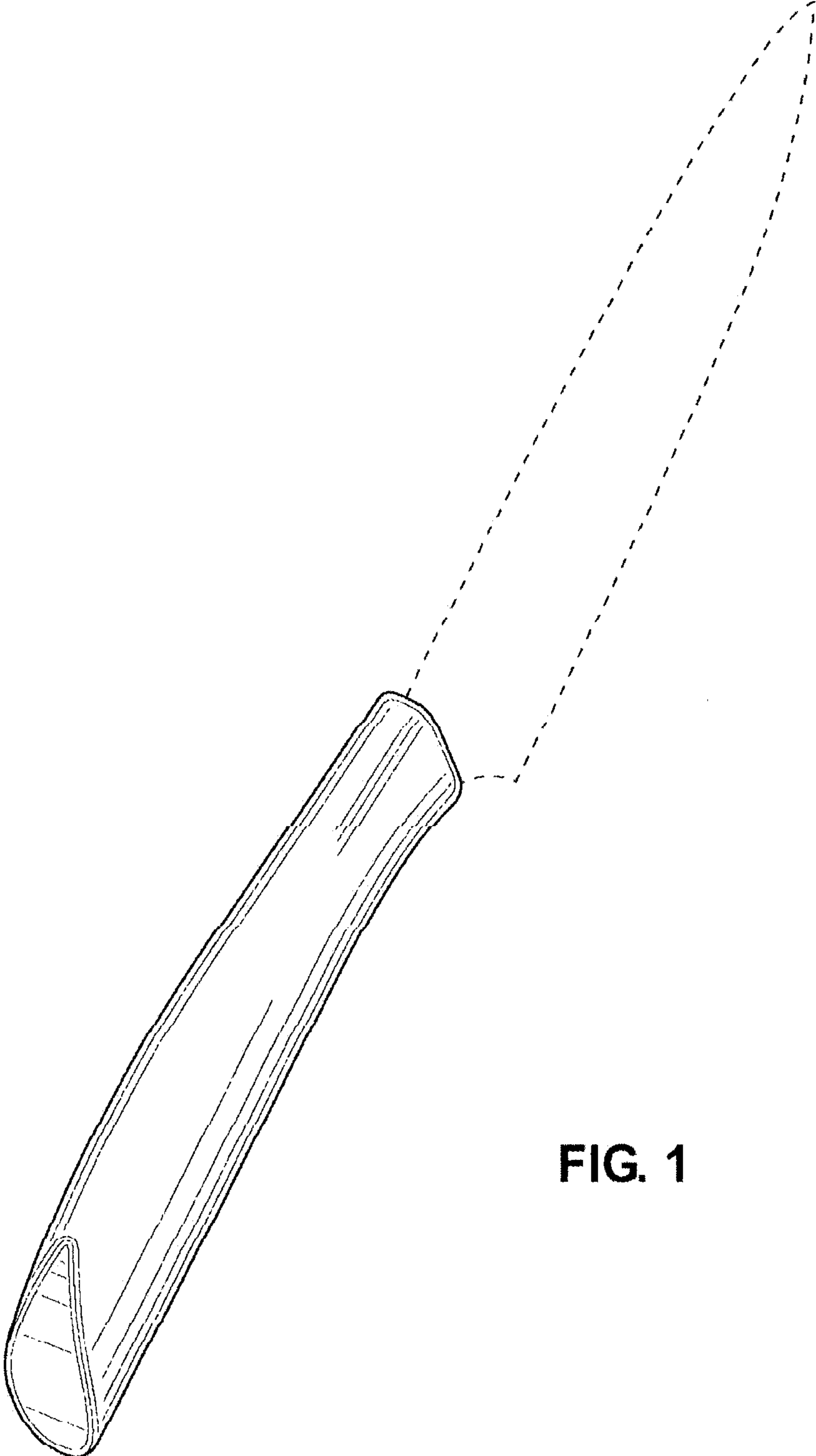


FIG. 1

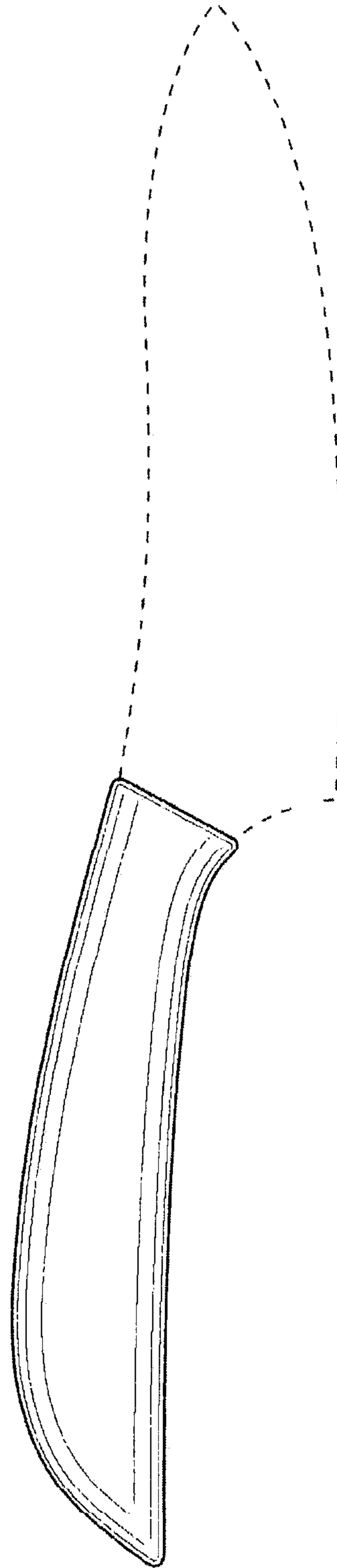


FIG. 2

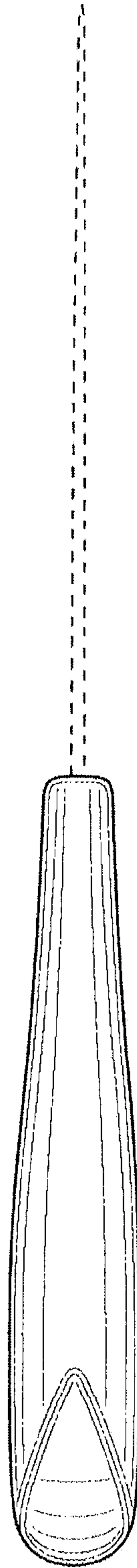


FIG. 3

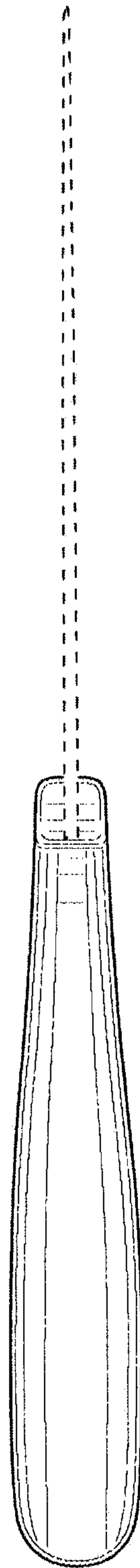


FIG. 4

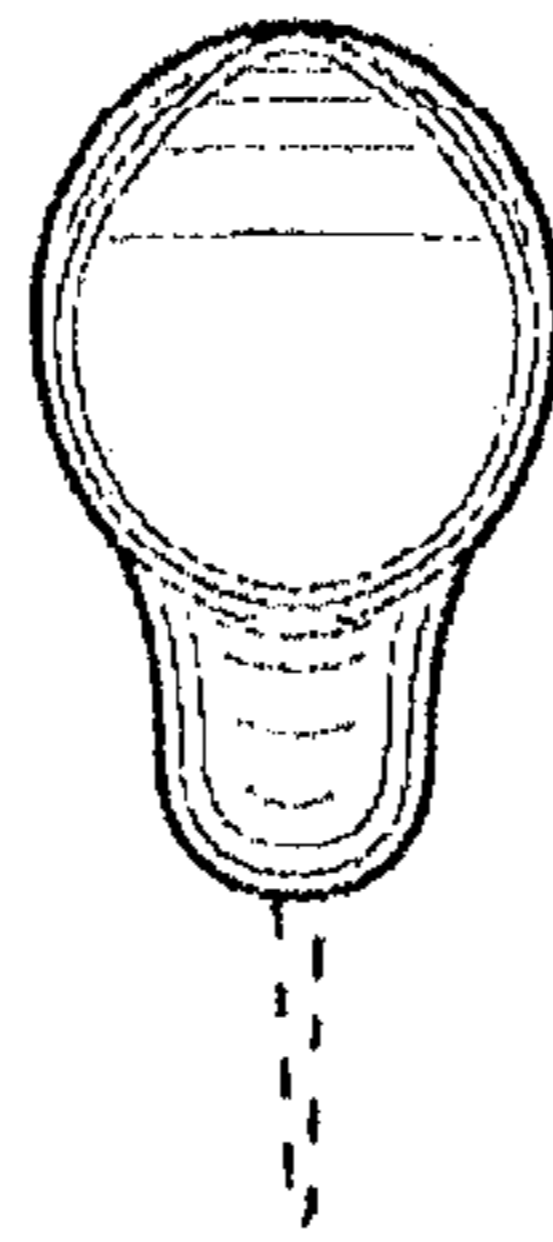


FIG. 5

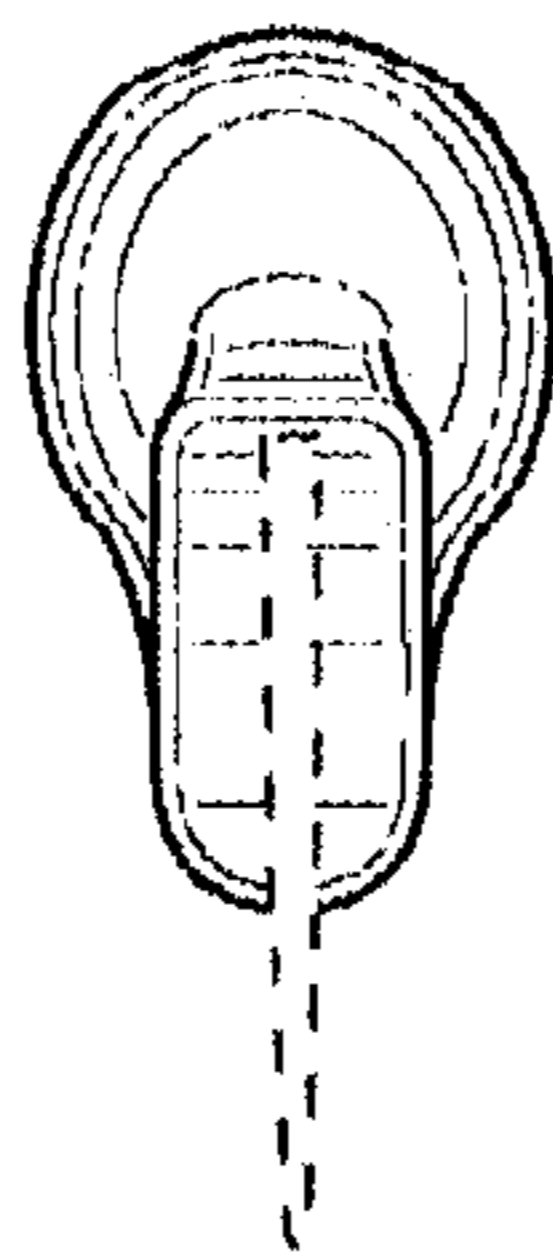


FIG. 6