



US00D751860S

(12) **United States Design Patent**
McConnell et al.

(10) **Patent No.:** **US D751,860 S**
(45) **Date of Patent:** **** Mar. 22, 2016**

(54) **COOKWARE HANDLE**

(71) Applicant: **Whirlpool Corporation**, Benton Harbor, MI (US)

(72) Inventors: **John W. McConnell**, St. Joseph, MI (US); **Wenkai Wu**, Aurora, IL (US)

(73) Assignee: **Whirlpool Corporation**, Benton Harbor, MI (US)

(**) Term: **14 Years**

(21) Appl. No.: **29/519,529**

(22) Filed: **Mar. 5, 2015**

(51) **LOC (10) Cl.** **07-02**

(52) **U.S. Cl.**

USPC **D7/394**

(58) **Field of Classification Search**

USPC D7/354–361, 391, 393–395, 396.2, 514, D7/664; D8/107, 300, 301, 306, 315, 316, D8/317, 319, 320, 321; D3/318

CPC A47J 45/06; A47J 45/061; A47J 45/62; A47J 45/08; A47J 45/085; B65D 25/2802; B65D 25/2882; B65D 25/2885; B65D 25/2888; B65D 25/2894; Y10S 220/912

See application file for complete search history.

(56) **References Cited**

U.S. PATENT DOCUMENTS

D503,070	S	*	3/2005	Cheng	D7/394
D630,050	S	*	1/2011	Rae	D7/394
D663,996	S	*	7/2012	Lee	D7/394
D667,684	S	*	9/2012	Rae	D7/394
D667,688	S	*	9/2012	Rae	D7/394
D693,633	S	*	11/2013	Lee	D7/394
D704,992	S	*	5/2014	Rae	D7/394
D705,595	S	*	5/2014	Rae	D7/394
D709,321	S	*	7/2014	Rae	D7/394
D728,995	S	*	5/2015	Barberi	D7/394

* cited by examiner

Primary Examiner — Cynthia M Chin

(57) **CLAIM**

The ornamental design for a cookware handle, as shown and described.

DESCRIPTION

FIG. 1 is a front perspective view of a cookware handle according to a first embodiment of our design;

FIG. 2 is a front view thereof;

FIG. 3 is a back view thereof;

FIG. 4 is a right side view thereof;

FIG. 5 is a left side view thereof;

FIG. 6 is a top view thereof;

FIG. 7 is a bottom view thereof;

FIG. 8 is a front perspective view of a cookware handle according to a second embodiment of our design;

FIG. 9 is a front view thereof;

FIG. 10 is a back view thereof;

FIG. 11 is a right side view thereof;

FIG. 12 is a left side view thereof;

FIG. 13 is a top view thereof;

FIG. 14 is a bottom view thereof;

FIG. 15 is a front perspective view of a cookware handle according to a third embodiment of our design;

FIG. 16 is a front view thereof;

FIG. 17 is a back view thereof;

FIG. 18 is a right side view thereof;

FIG. 19 is a left side view thereof;

FIG. 20 is a top view thereof; and,

FIG. 21 is a bottom view thereof.

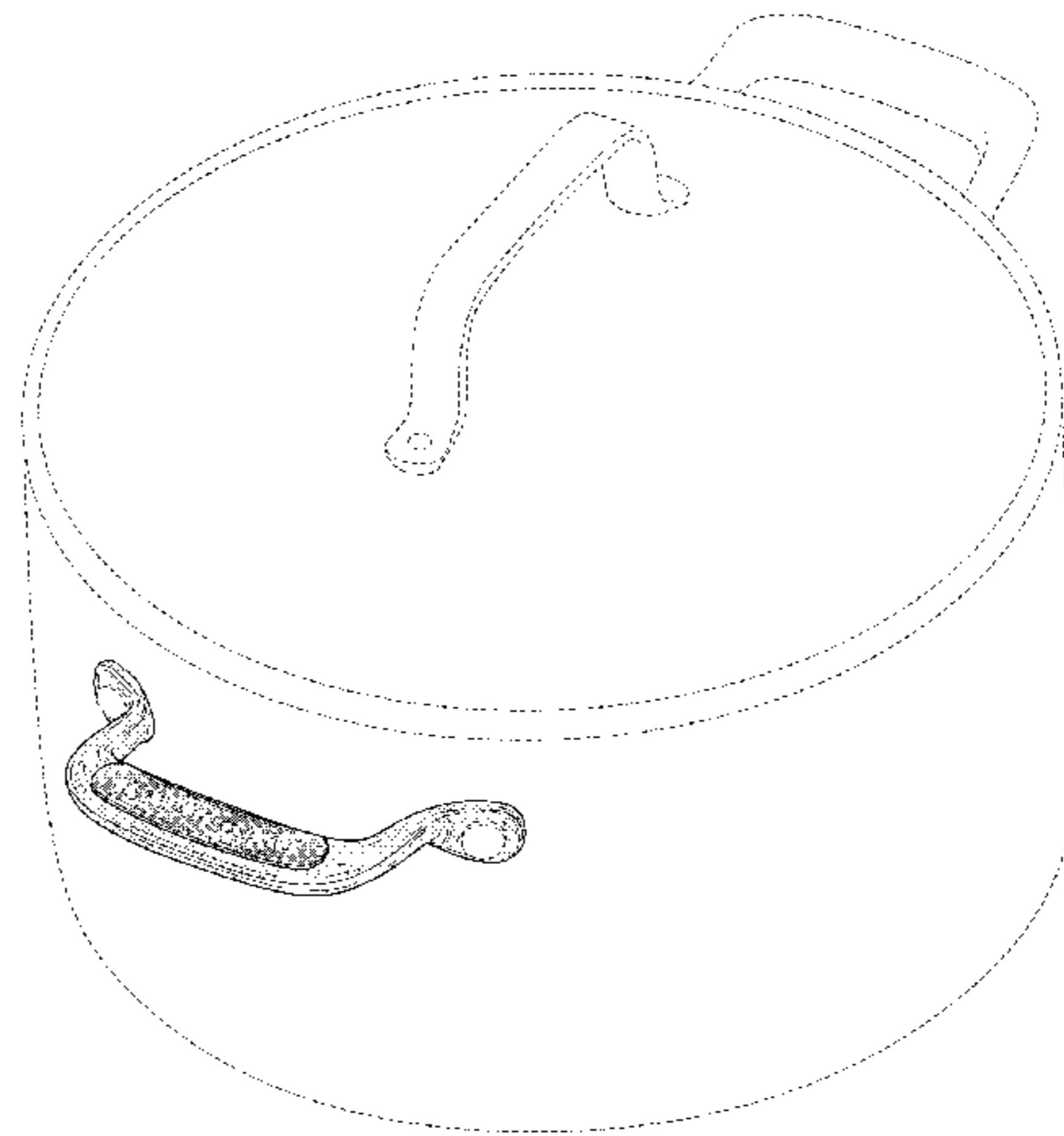
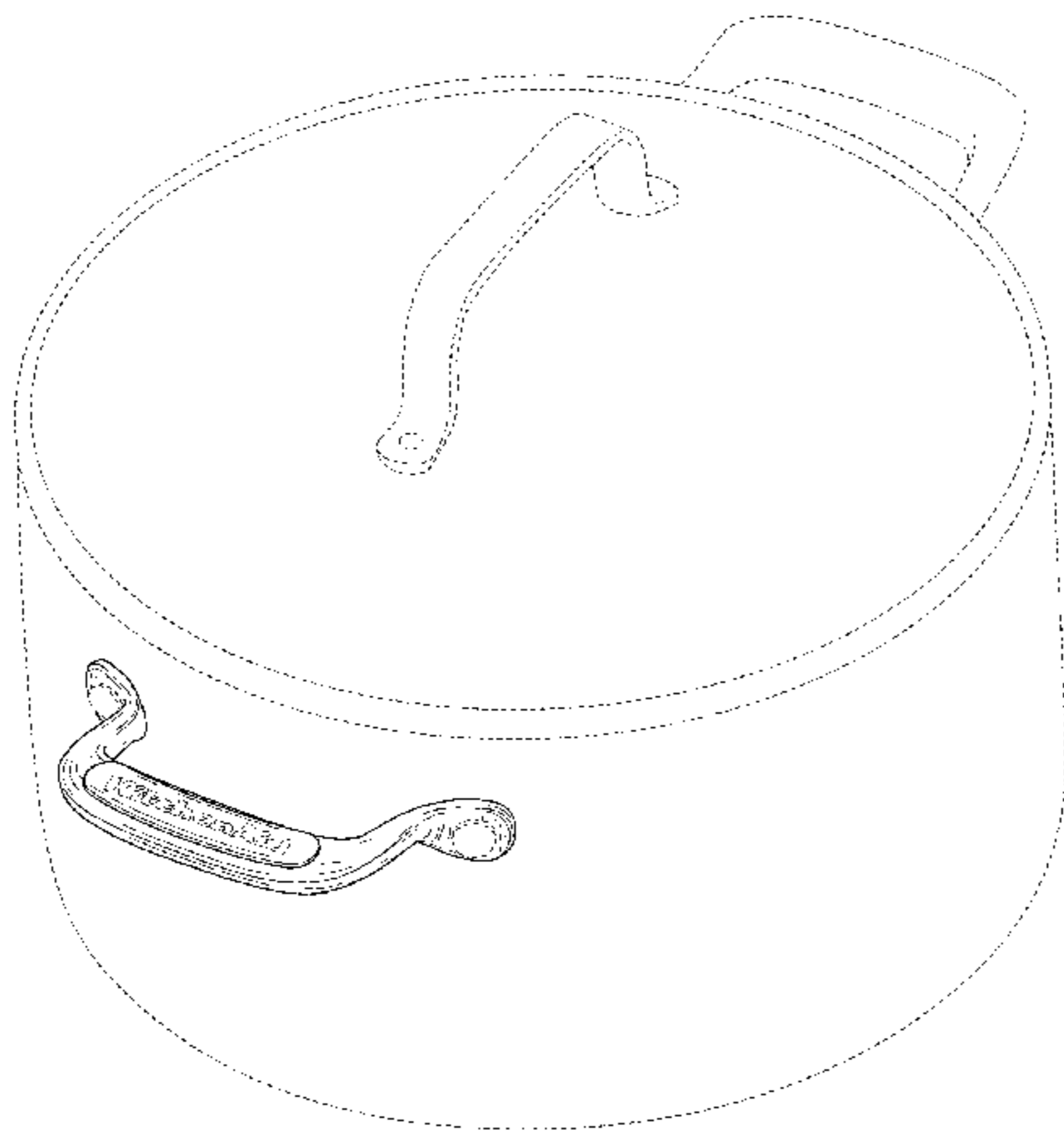
Broken lines are environmental only and form no part of the claimed design.

The pairs of closely adjacent, spaced jagged broken lines in the drawings form no part of the claimed design and indicate the appearance of any portion of the article between the break lines forms no part of the claimed design.

The dark stipple fill in FIGS. 8-14 indicates a black surface color.

The light stipple fill in FIGS. 8-14 indicates a metallic material or surface appearance.

1 Claim, 21 Drawing Sheets



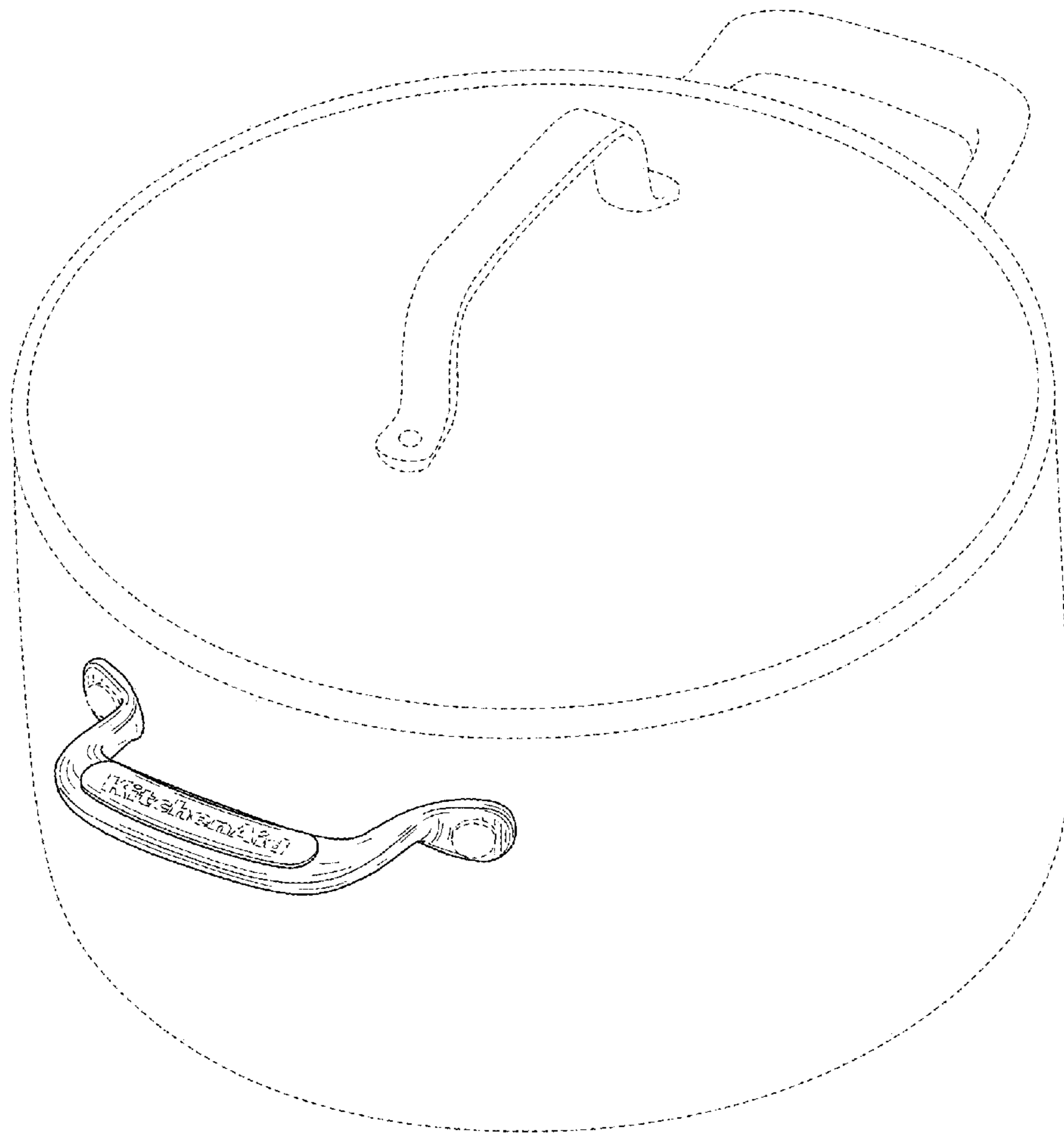


FIG. 1

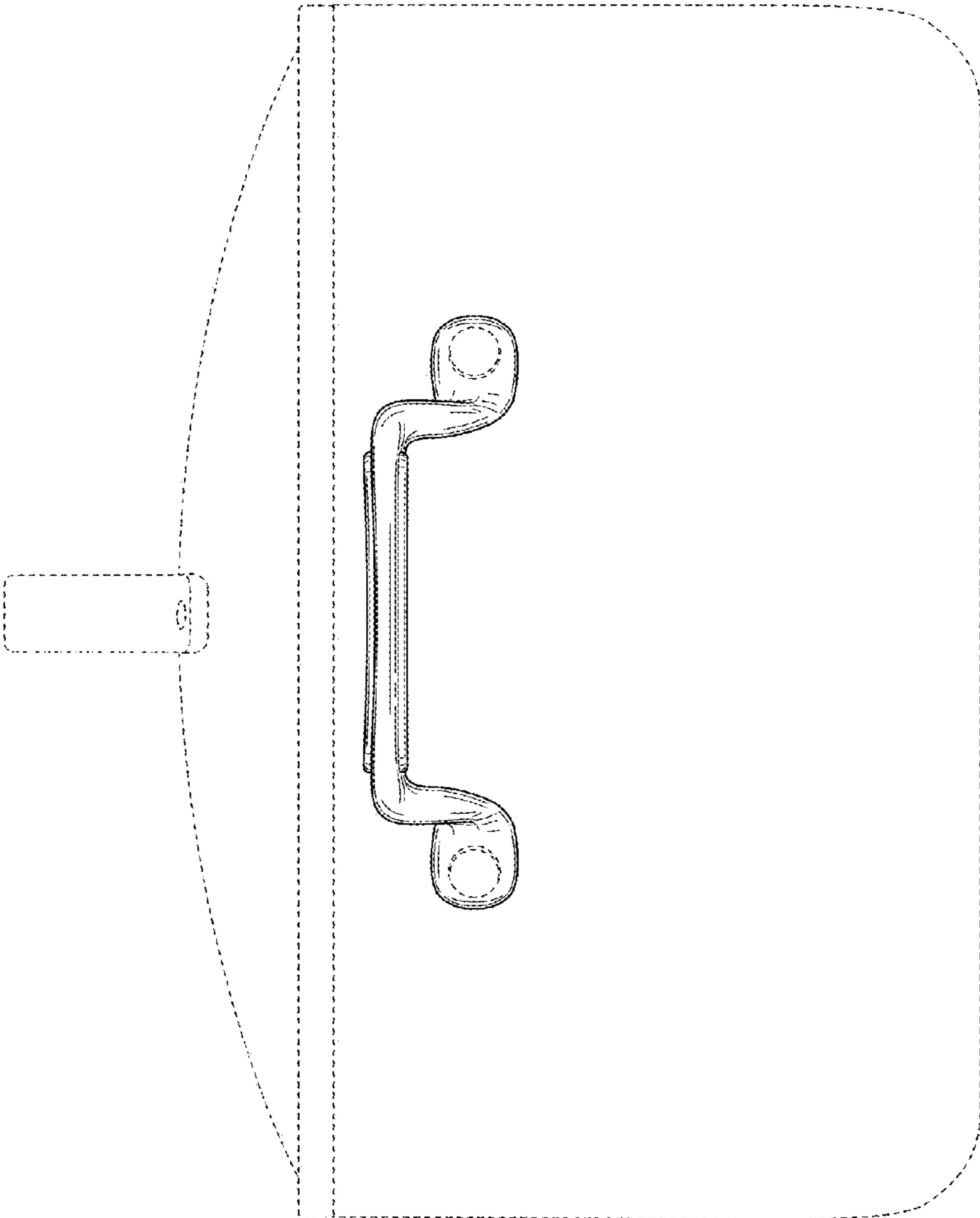


FIG. 2

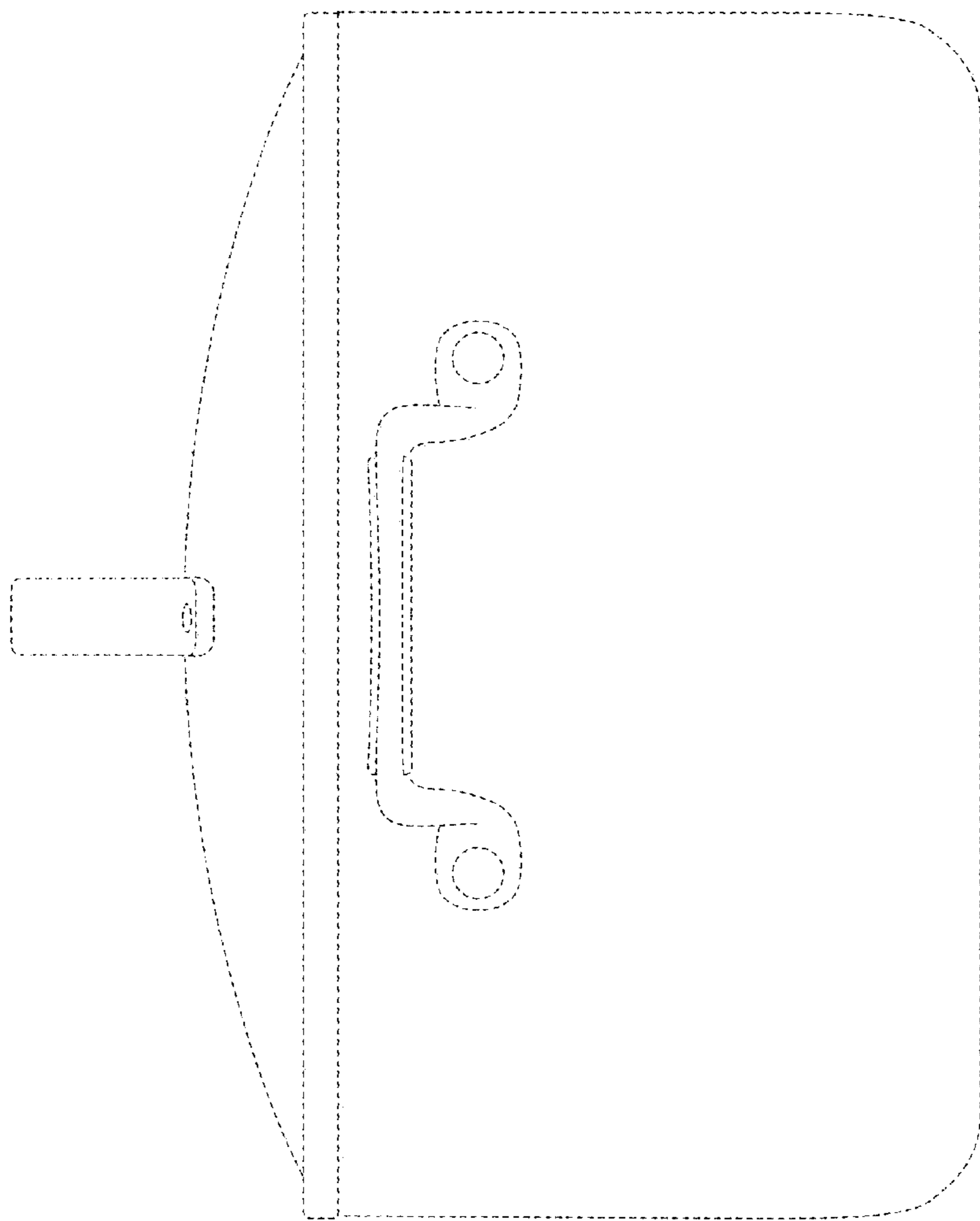


FIG. 3

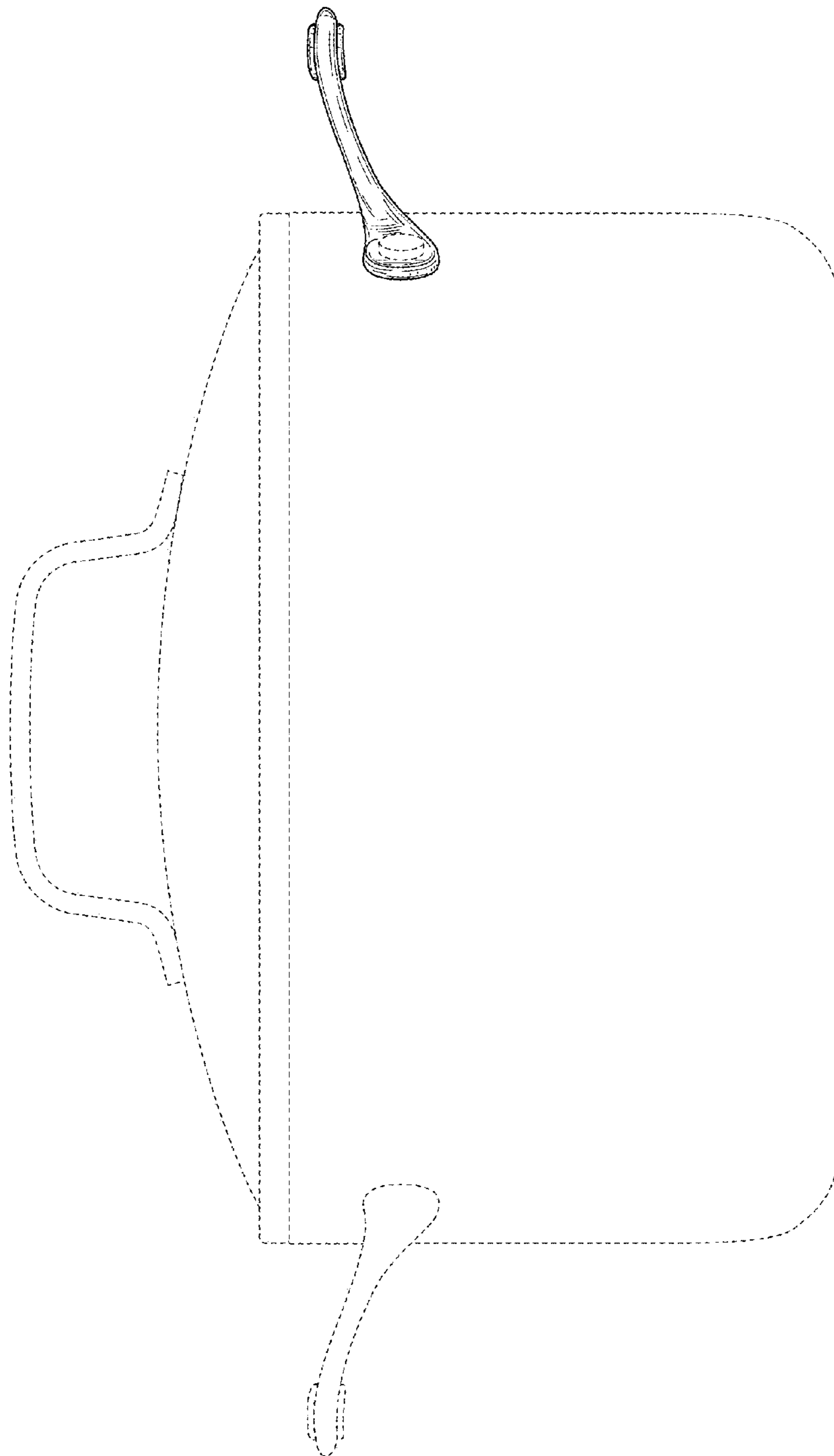


FIG. 4

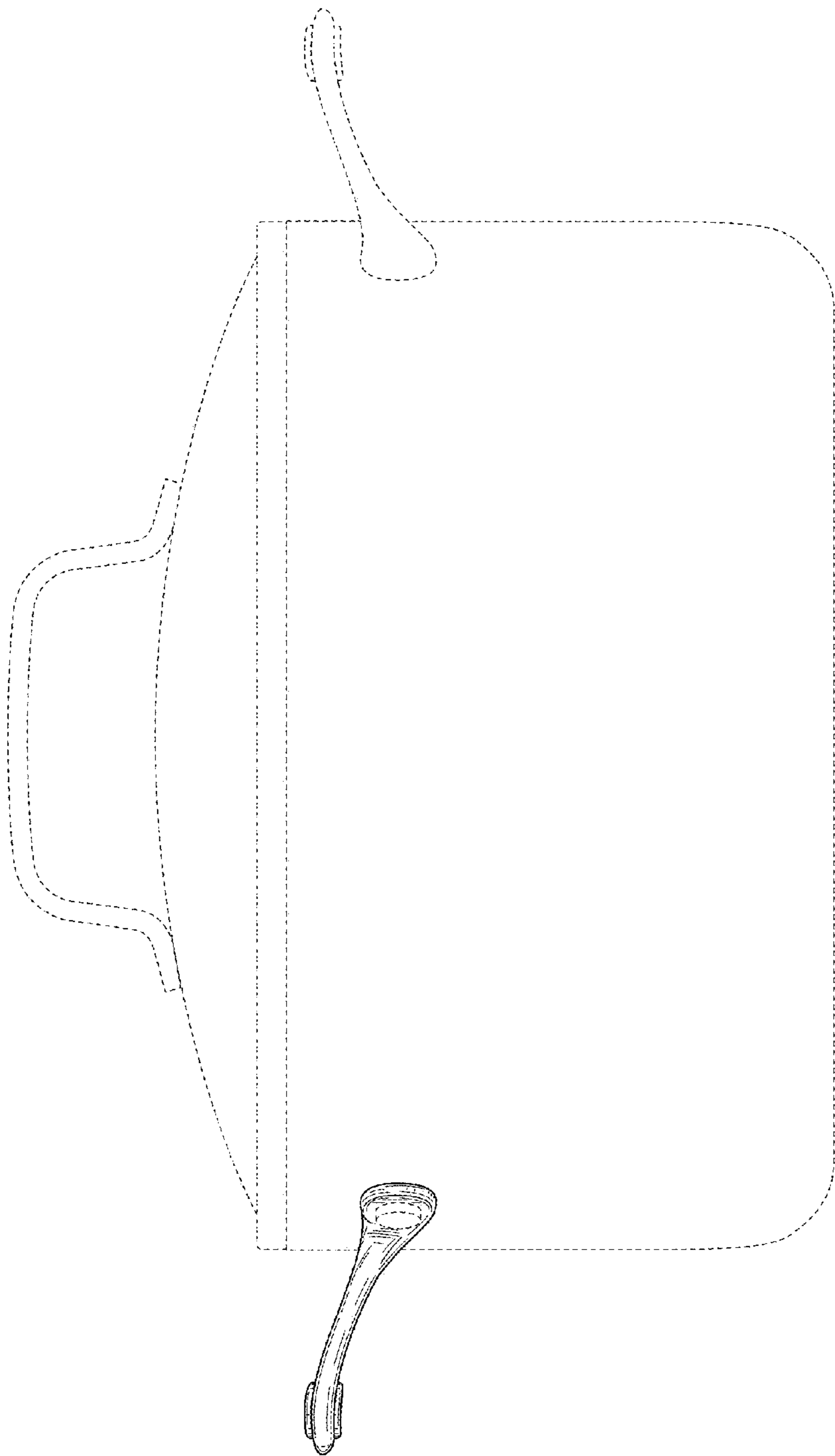


FIG. 5

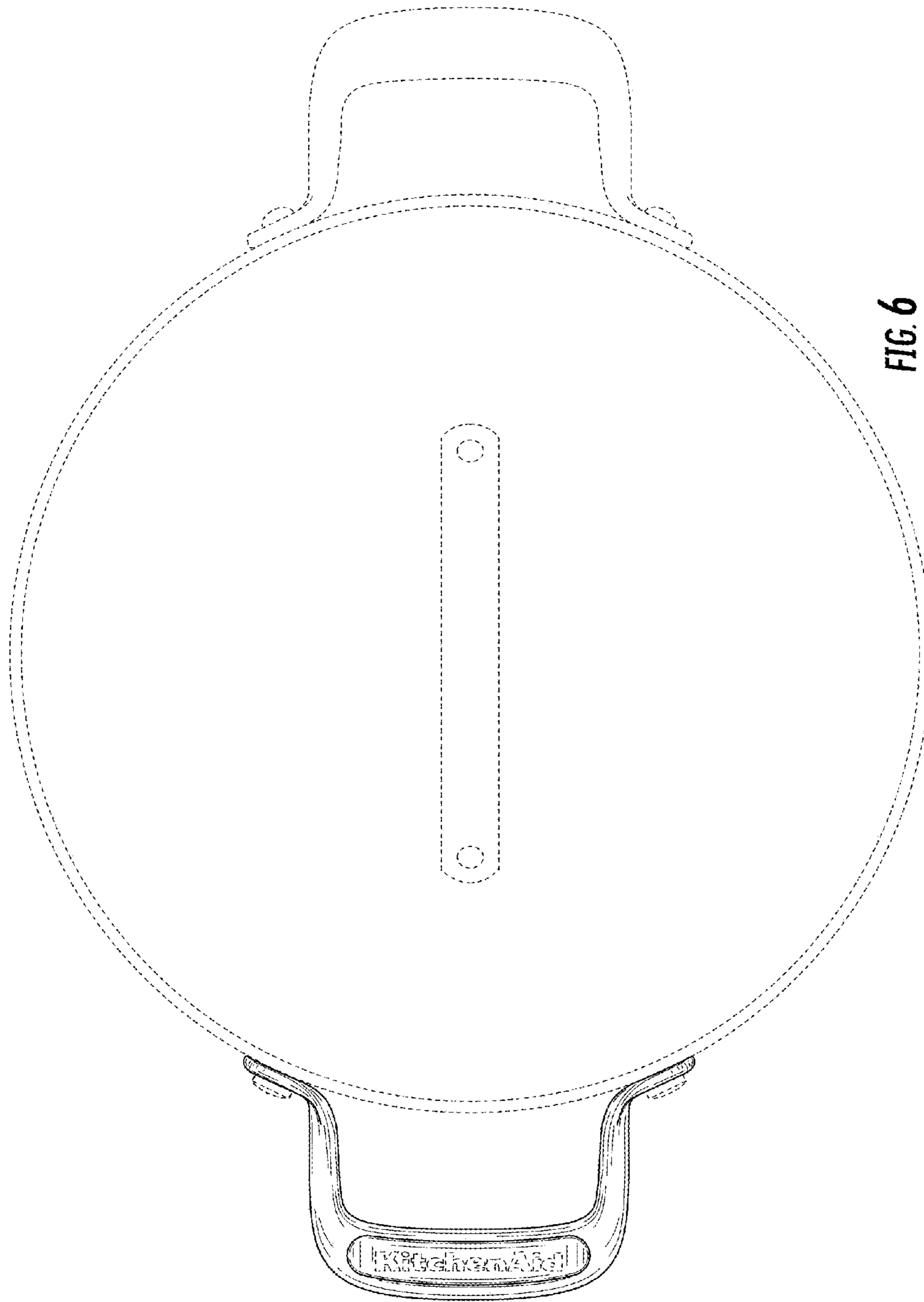
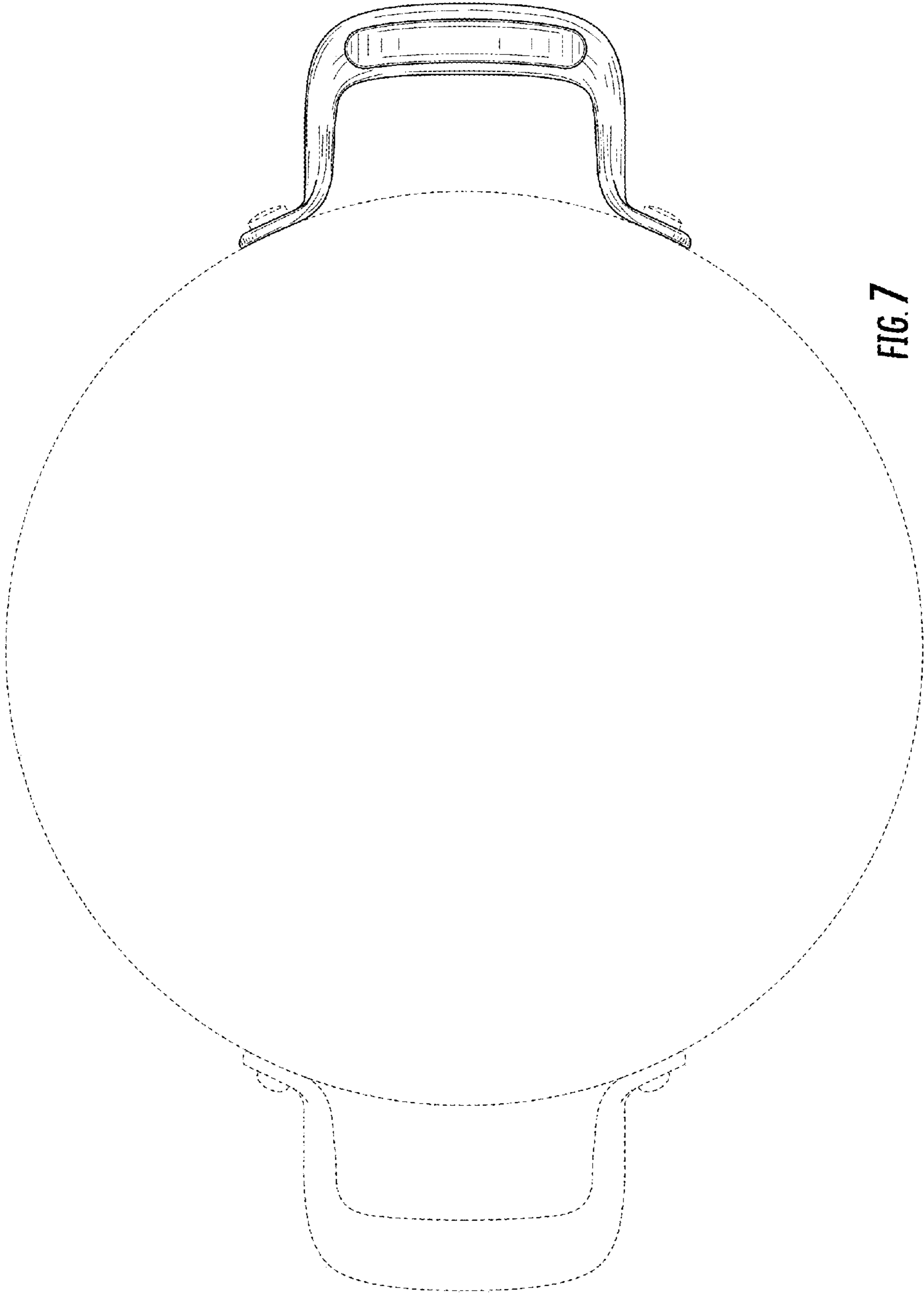


FIG. 6



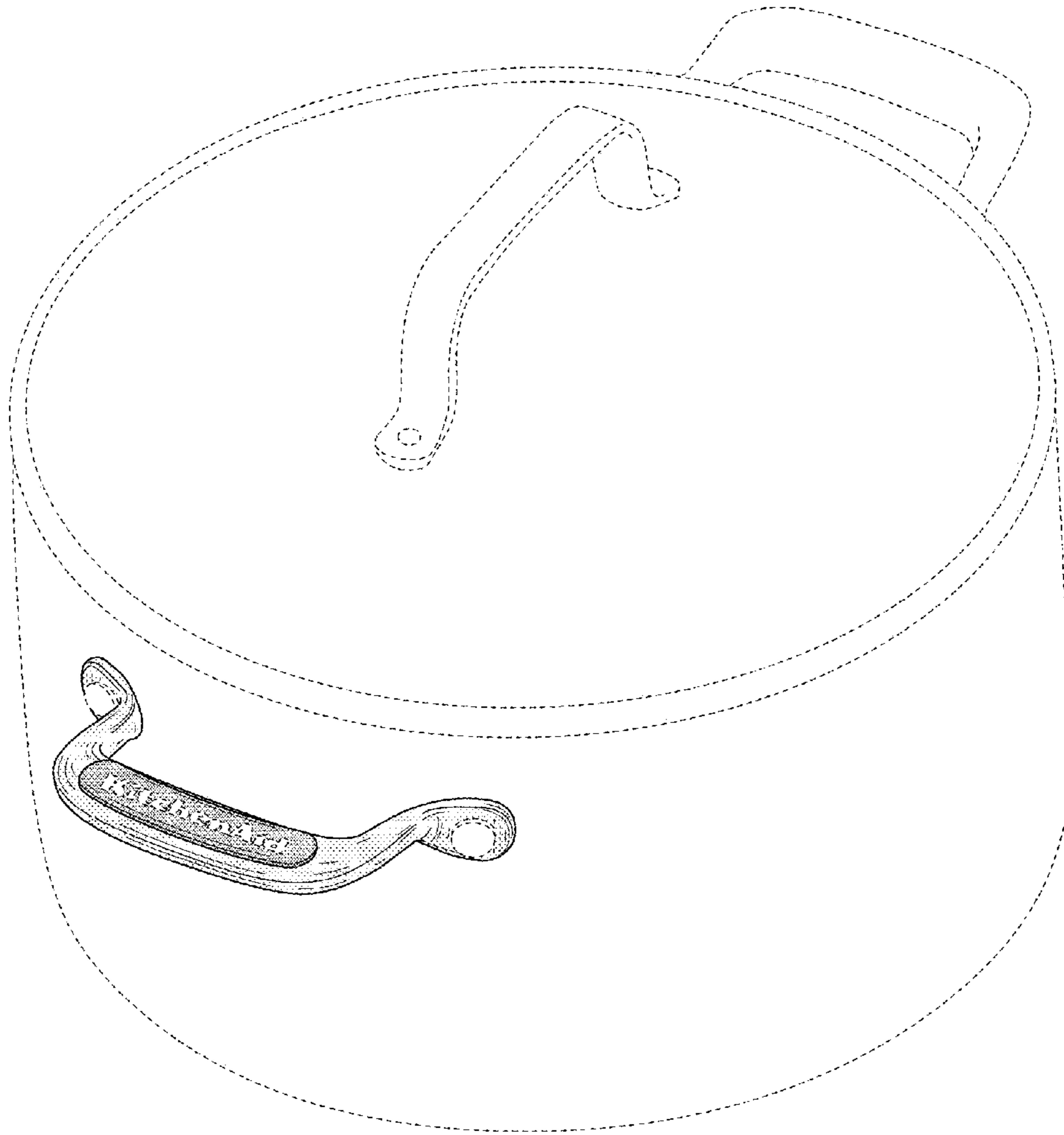


FIG. 8

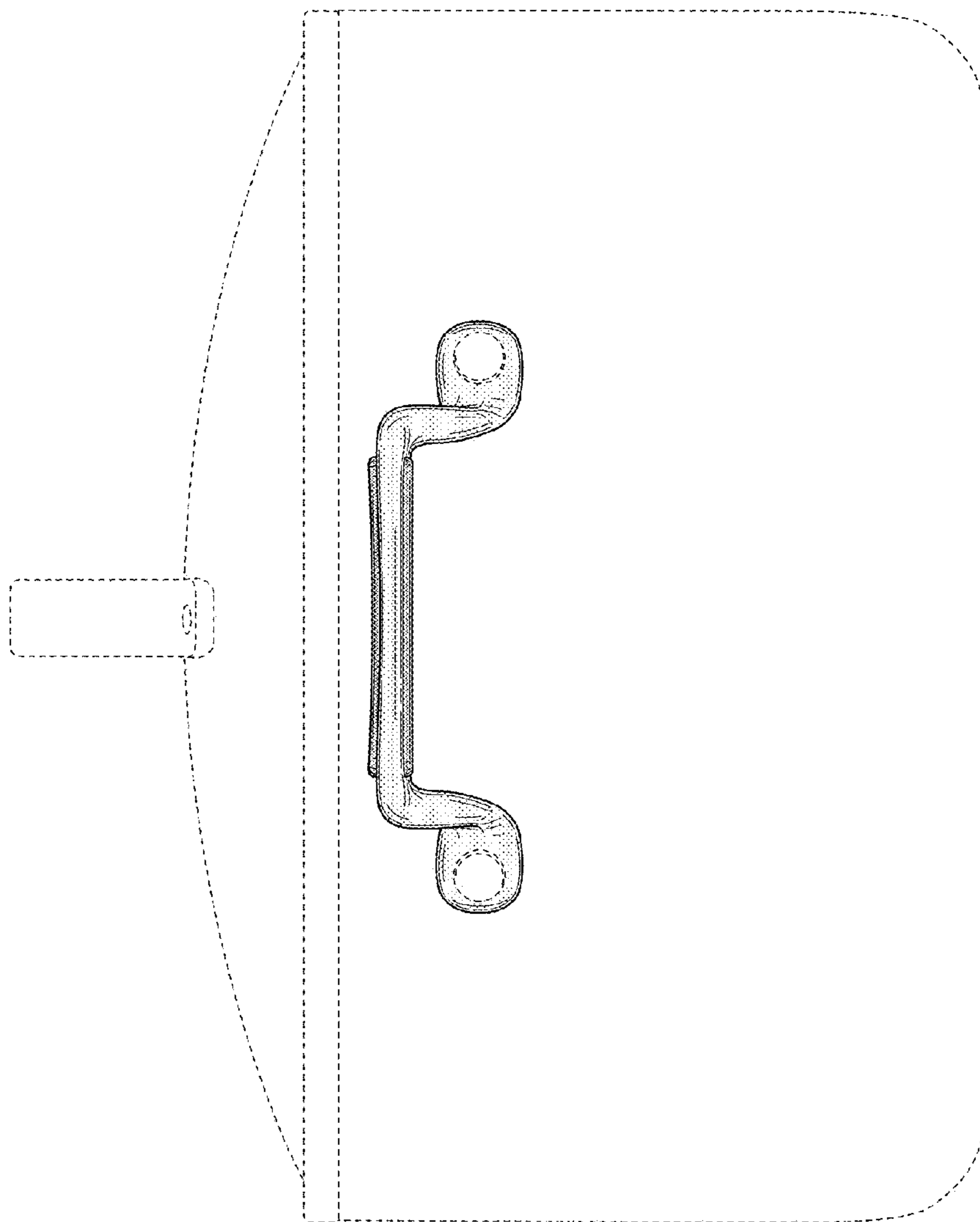


FIG. 9

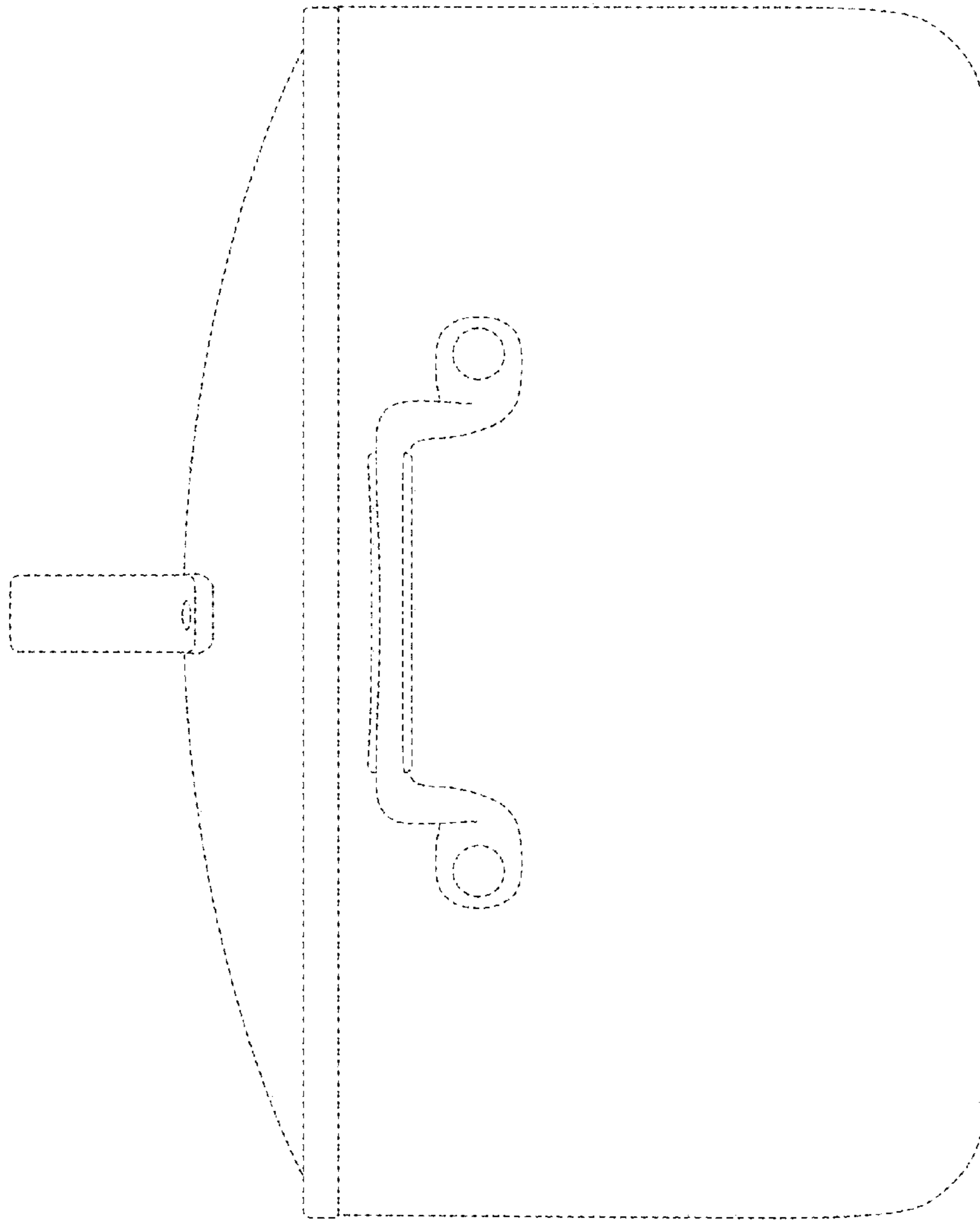


FIG. 10

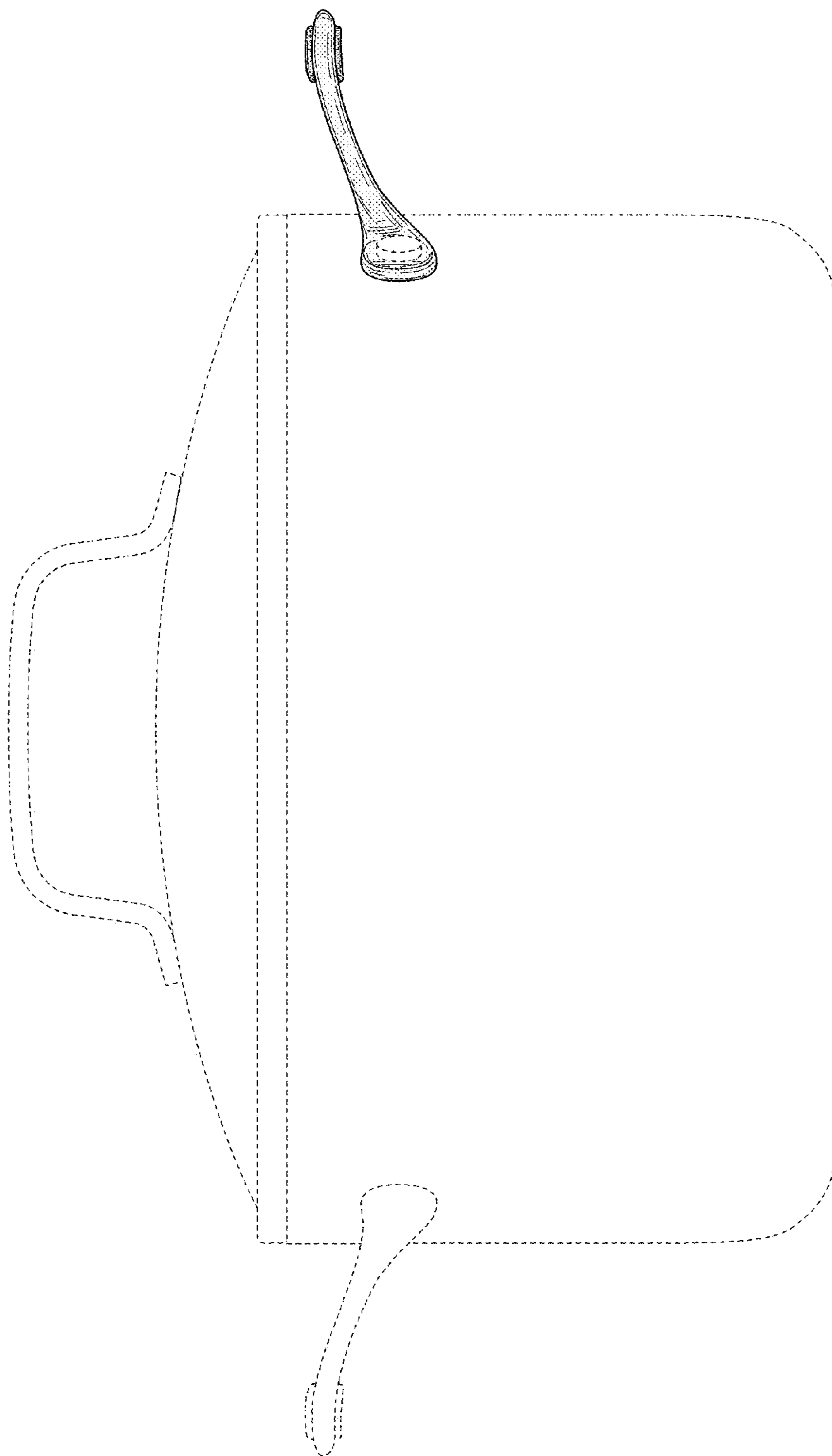


FIG. 11

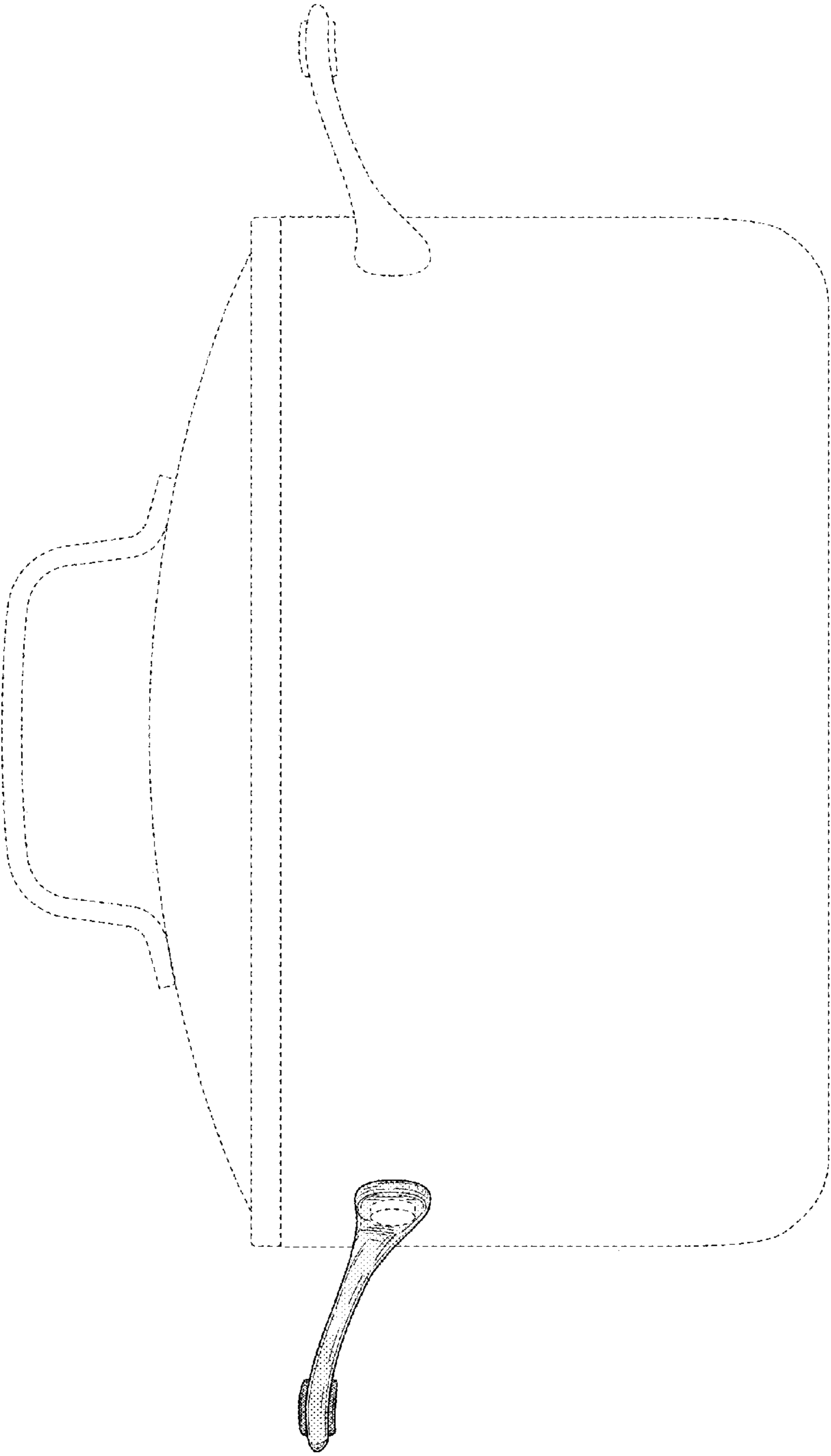


FIG. 12

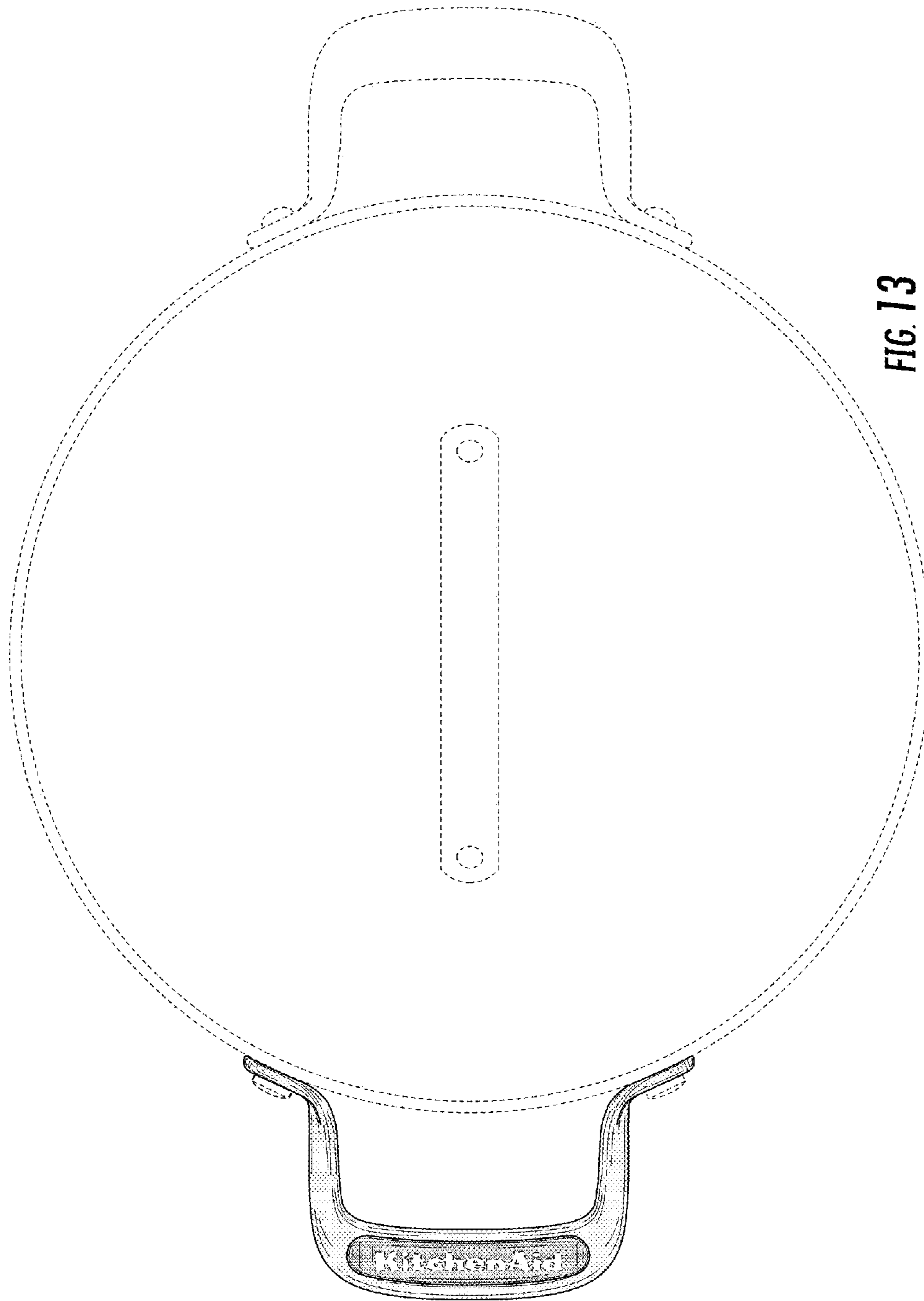


FIG. 13

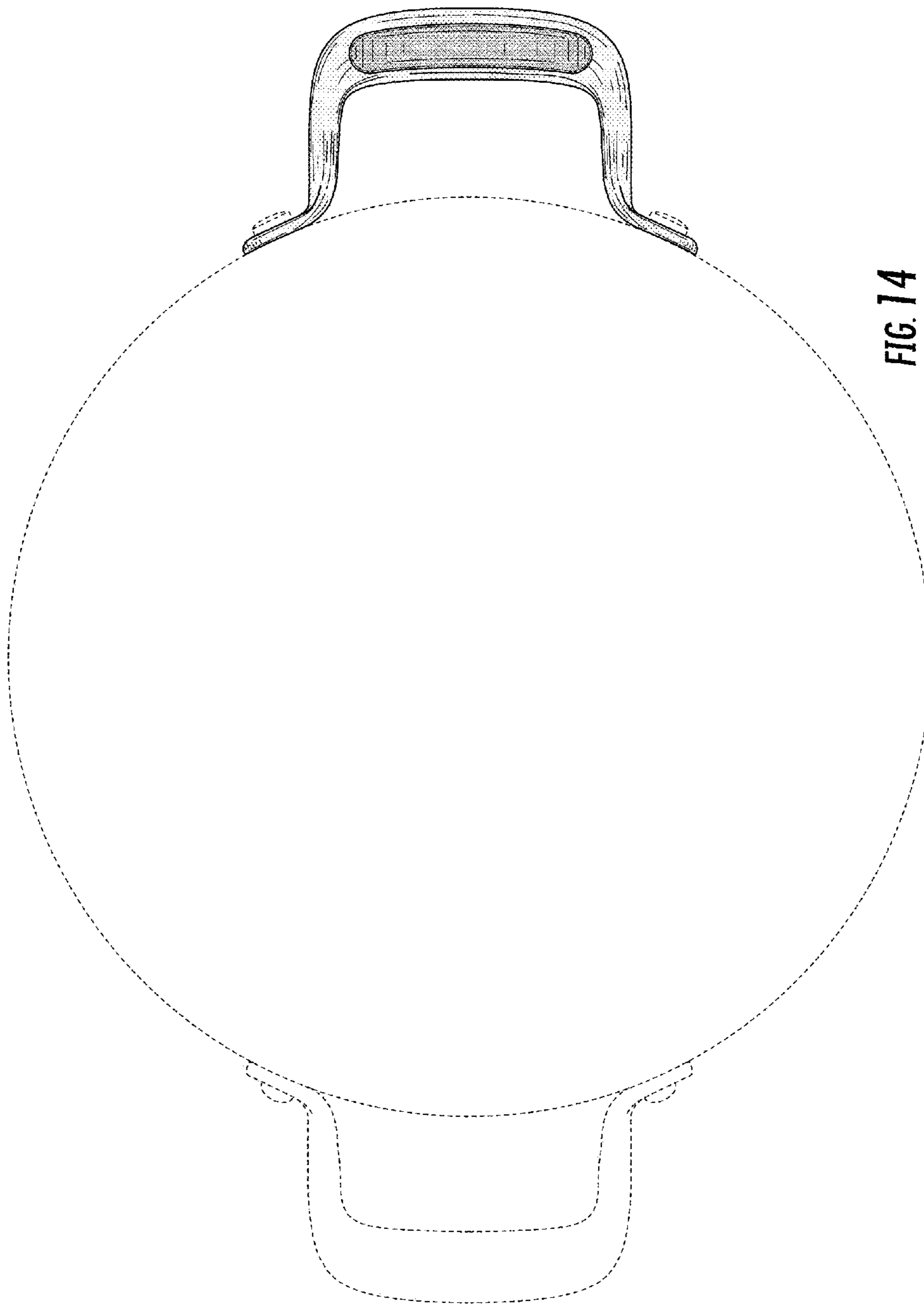


FIG. 14

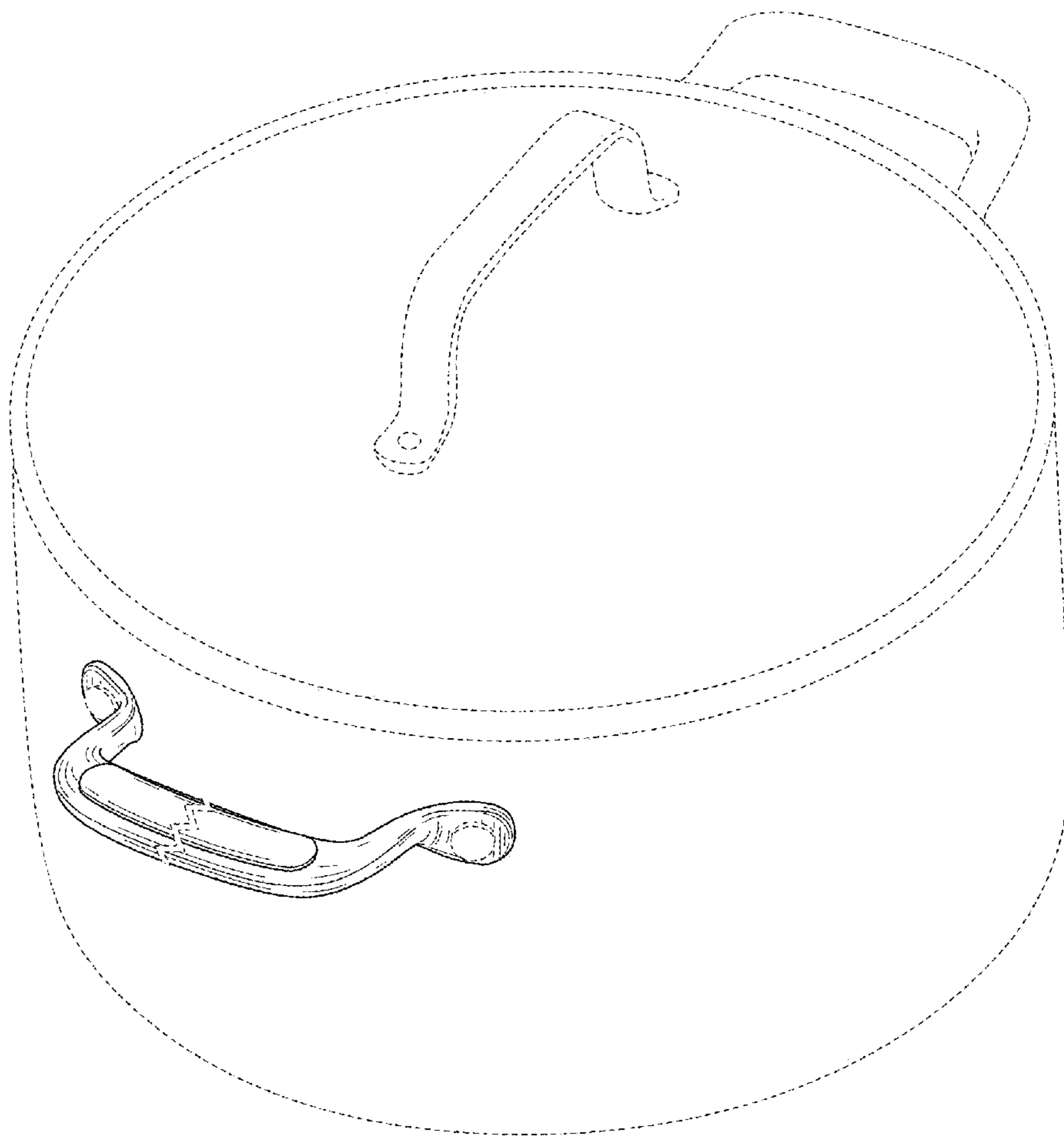


FIG. 15

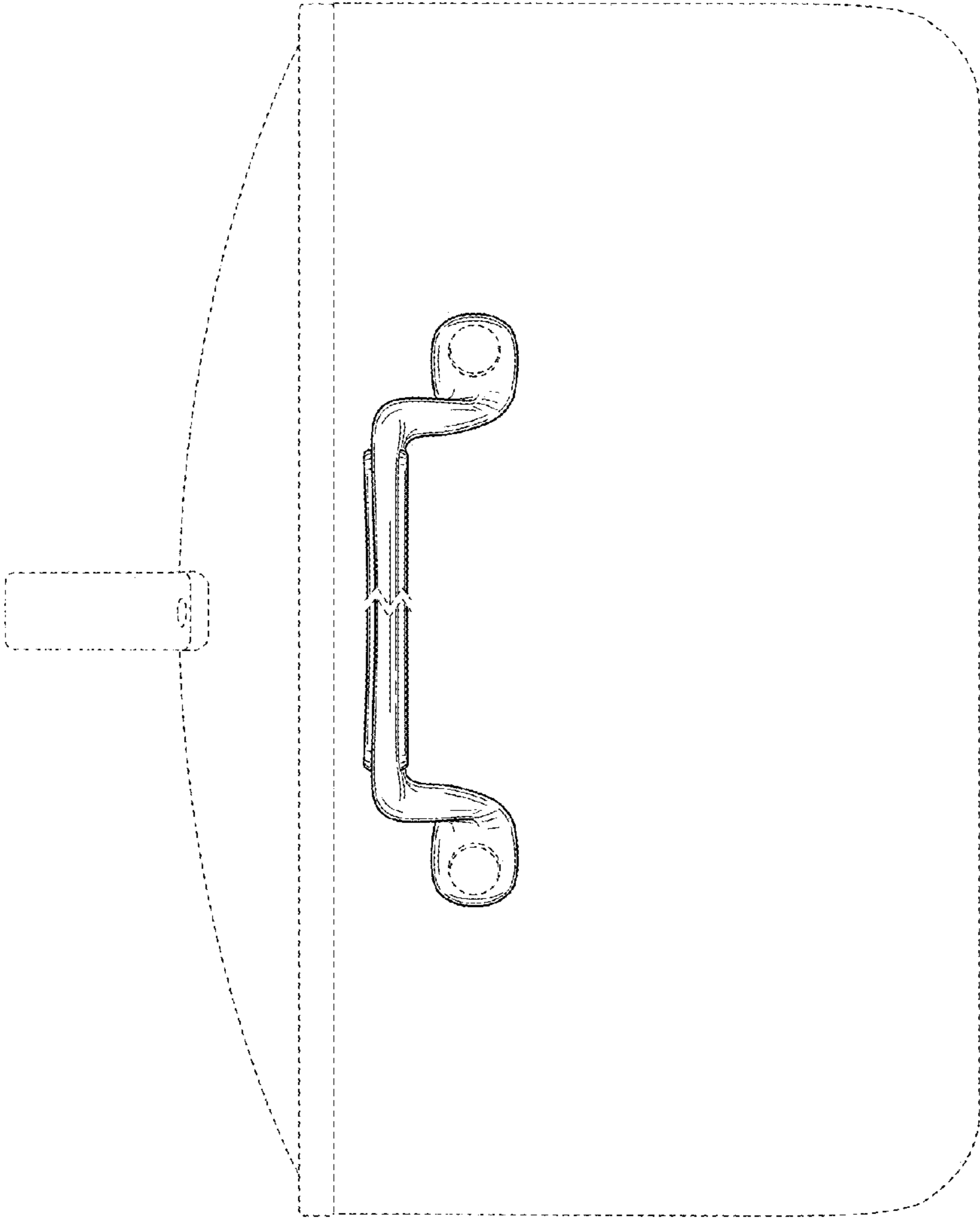


FIG. 16

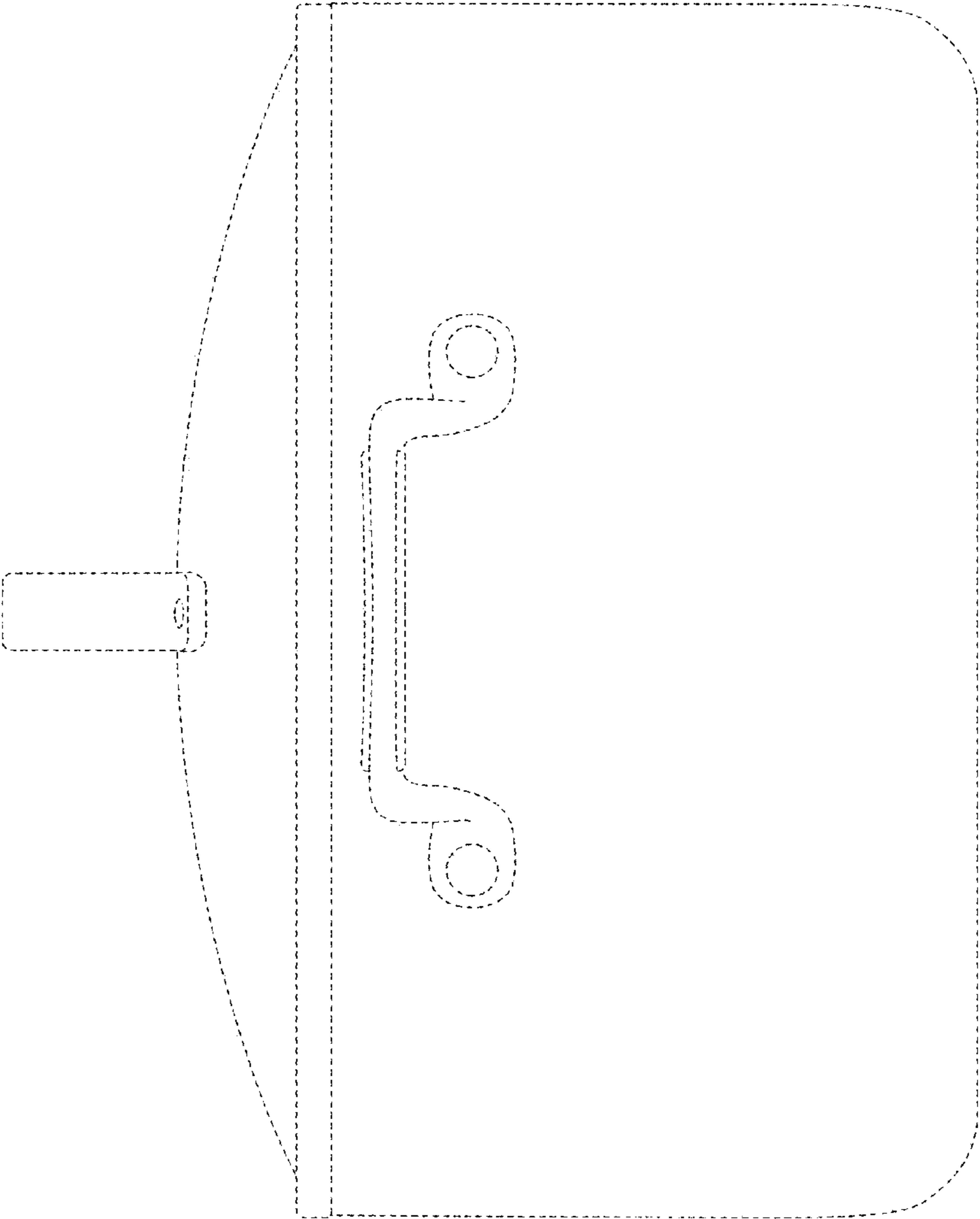


FIG. 17

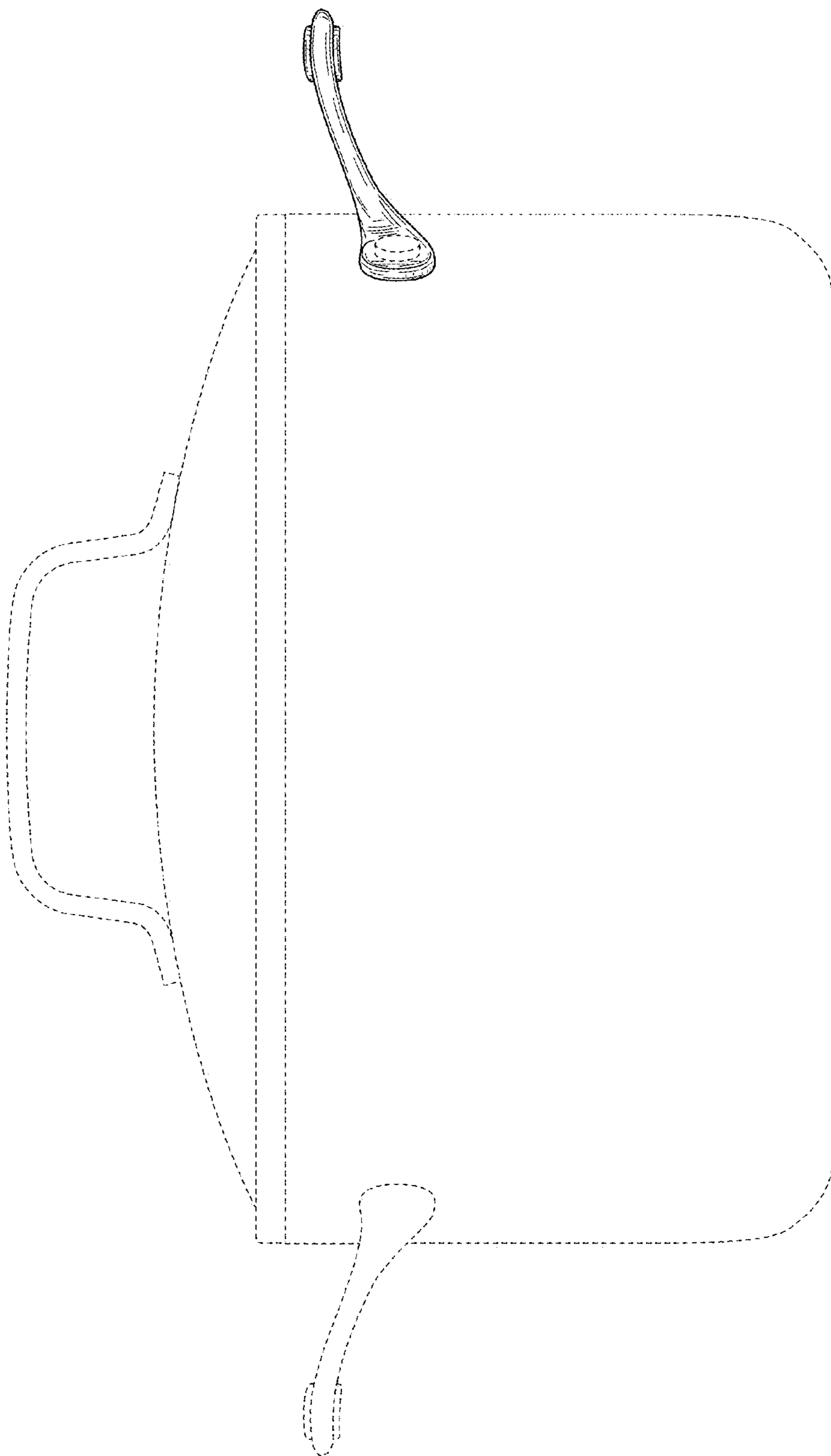


FIG. 18

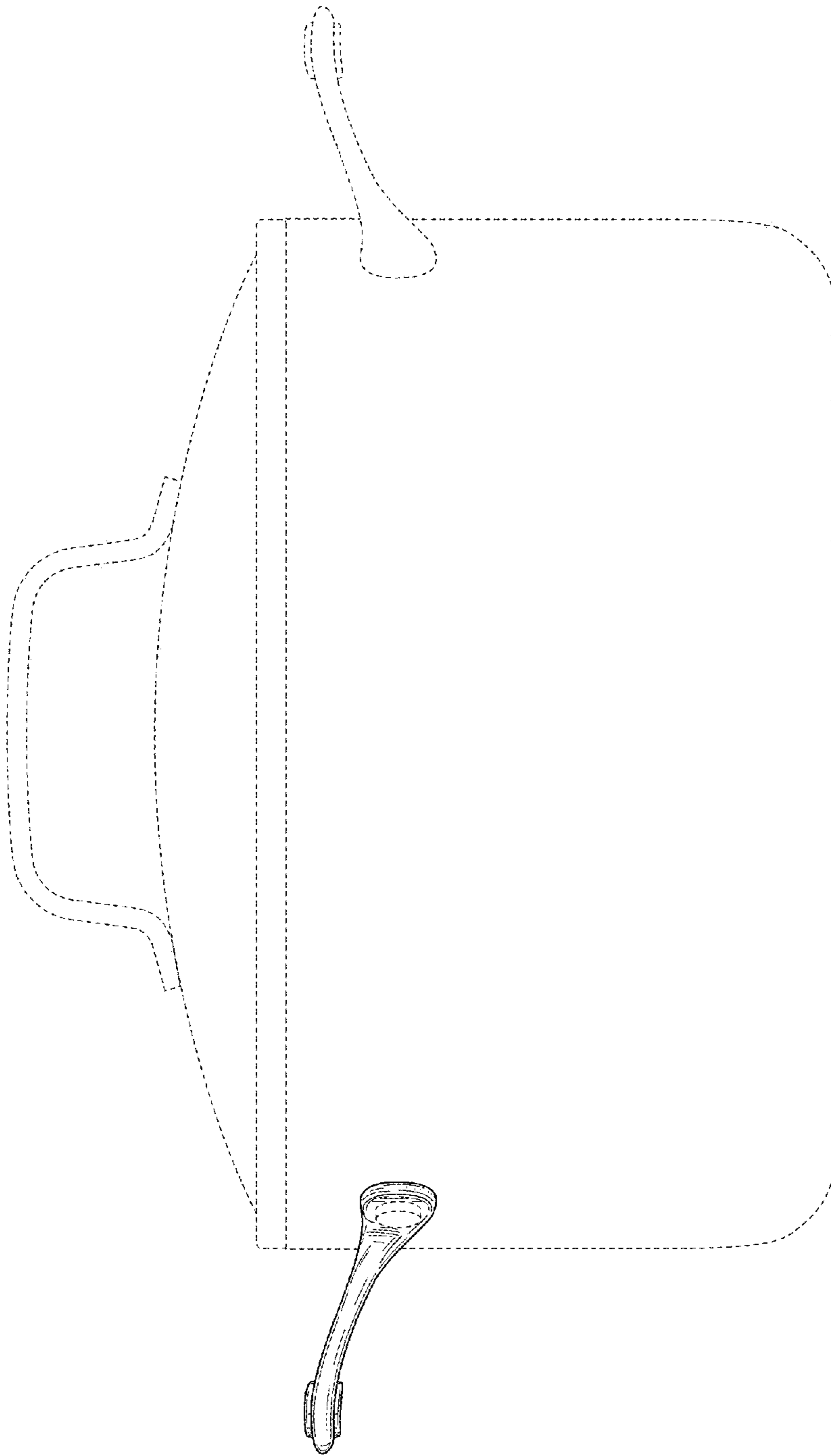


FIG. 19

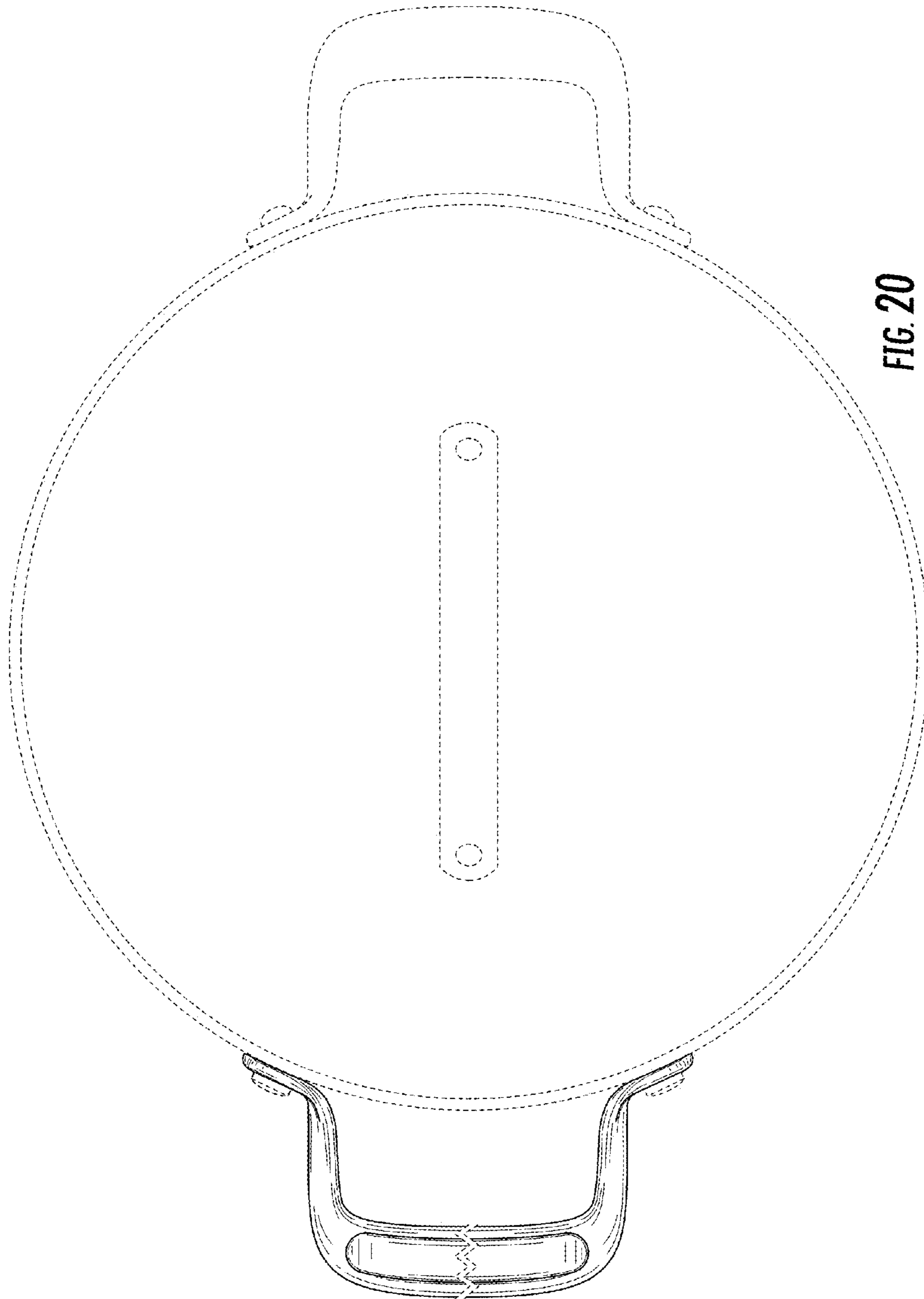


FIG. 20

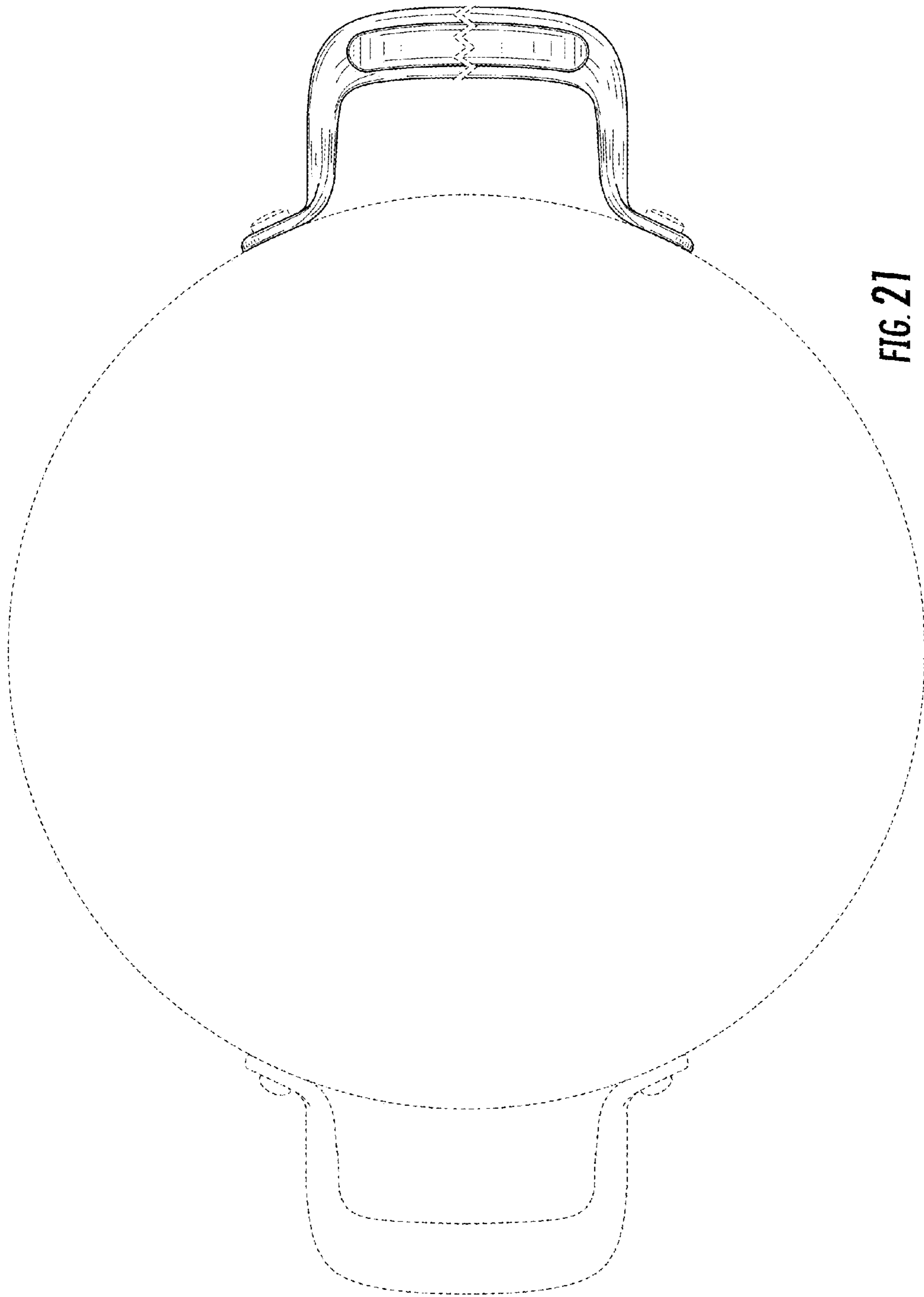


FIG. 21