



US00D751858S

(12) **United States Design Patent**
Zhang

(10) **Patent No.:** **US D751,858 S**
(45) **Date of Patent:** **** Mar. 22, 2016**

(54) **HAND BLENDER**

(71) Applicant: **KONINKLIJKE PHILIPS N.V.**,
Eindhoven (NL)

(72) Inventor: **Mingshuo Zhang**, Amsterdam (NL)

(73) Assignee: **KONINKLIJKE PHILIPS N.V.**,
Eindhoven (NL)

(**) Term: **14 Years**

(21) Appl. No.: **29/501,685**

(22) Filed: **Sep. 8, 2014**

(30) **Foreign Application Priority Data**

Mar. 8, 2014 (EM) 002420711-0001

(51) **LOC (10) CL.** **31-00**

(52) **U.S. CL.**
USPC **D7/380; D7/36; D7/379**

(58) **Field of Classification Search**
USPC D7/372, 376–386, 412–413, 602, 629,
D7/665–666, 669, 679, 693–694
CPC A21C 1/02; A21C 1/04; A23N 1/00;
A23N 1/02; A47J 43/04; A47J 43/25; A47J
43/27; A47J 43/042; A47J 43/044; A47J
43/046; A47J 43/075; A47J 43/0711; A47J
43/0722; A47J 43/0727; B01F 3/00; B01F
3/0807; B01F 3/0853; B01F 13/0059; B01F
13/0064; B02C 1/08; B02C 2/04; B02C 4/42;
B02C 4/142; B02C 4/143; B02C 4/423;
B02C 13/1835; B28C 5/10; B28C 5/12;
B28C 5/14; B28C 5/16
See application file for complete search history.

(56) **References Cited**

U.S. PATENT DOCUMENTS

D345,076 S * 3/1994 Saltet D7/376

D361,241 S *	8/1995	Littmann	D7/376
D398,809 S *	9/1998	Henderson	D7/376
D400,756 S *	11/1998	Henderson	D7/376
D426,105 S *	6/2000	Littmann	D7/376
D447,380 S *	9/2001	Feil	D7/376
D456,206 S *	4/2002	Feil	D7/376
D485,729 S *	1/2004	Patton	D7/376
D533,022 S *	12/2006	Piret	D7/379
D534,032 S *	12/2006	Lloyd	D7/380
D638,656 S *	5/2011	Brinckerhoff	D7/376
D644,479 S *	9/2011	Lownds	D7/376
D649,394 S *	11/2011	Grabes	D7/376
D651,041 S *	12/2011	Bachmann	D7/376
D651,846 S *	1/2012	Roseby	D7/376
D660,641 S *	5/2012	Hoare	D7/376
D662,765 S *	7/2012	Grabes	D7/376
D663,573 S *	7/2012	Nordwall	D7/376
D668,099 S *	10/2012	Ferraby	D7/376
D668,911 S *	10/2012	Bachmann	D7/376
D691,412 S *	10/2013	Ragot	D7/376
D695,565 S *	12/2013	Verbrugge	D7/376
D724,373 S *	3/2015	Jl	D7/376
D726,496 S *	4/2015	Vu	D7/376
D731,236 S *	6/2015	Yin	D7/376
2005/0078549 A1 *	4/2005	Hamelin	A47J 43/0711 366/129

* cited by examiner

Primary Examiner — Ricky Pham

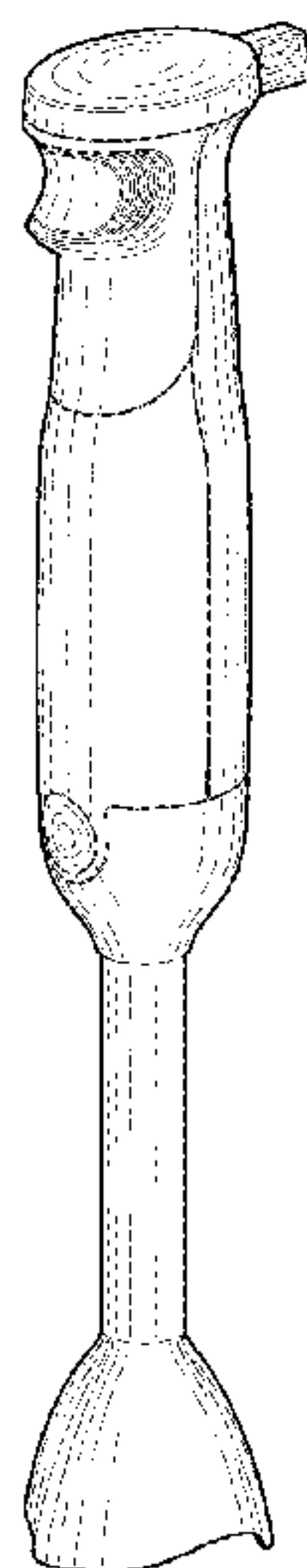
(57) **CLAIM**

The ornamental design for a hand blender, as shown and described.

DESCRIPTION

FIG. 1 a perspective view showing my design;
FIG. 2 is a front elevational view thereof;
FIG. 3 is a rear elevational view thereof;
FIG. 4 is a right side elevational view thereof;
FIG. 5 is a left side elevational view thereof;
FIG. 6 is a top plan view thereof; and,
FIG. 7 is a bottom plan view thereof.
The broken lines shown in the drawings are for illustrative purposes only and form no part of the claimed design.

1 Claim, 4 Drawing Sheets



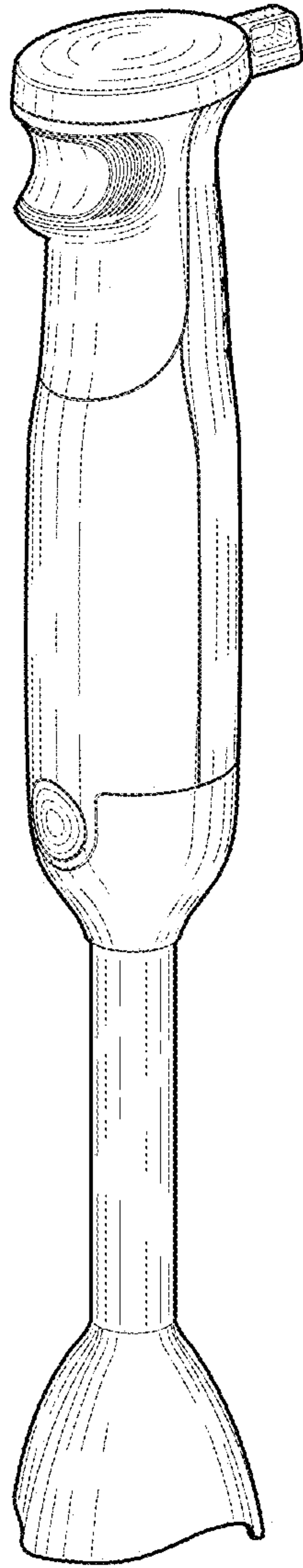


FIG. 1

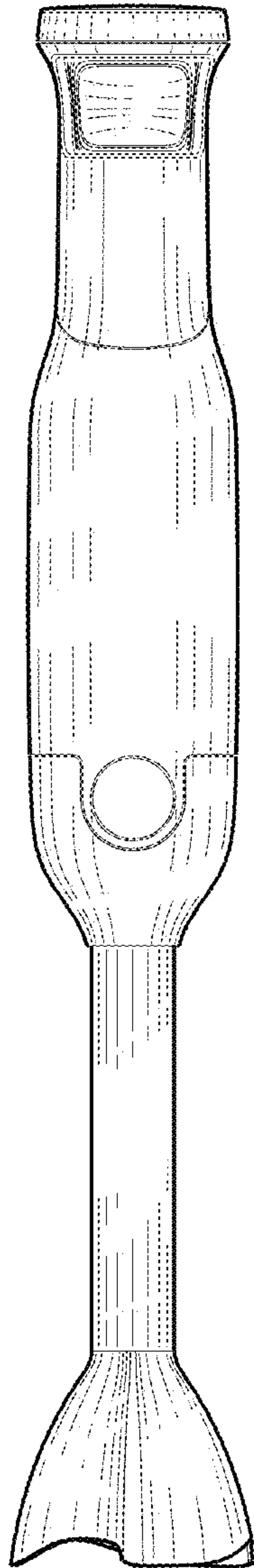


FIG. 2

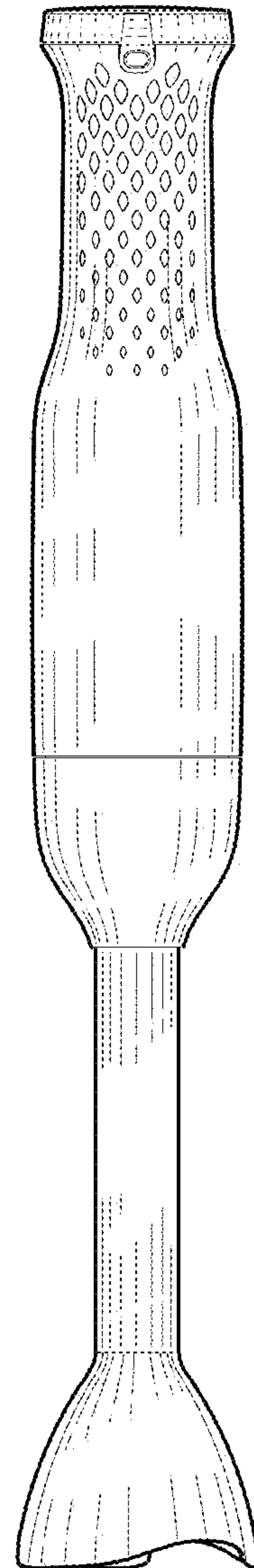


FIG. 3

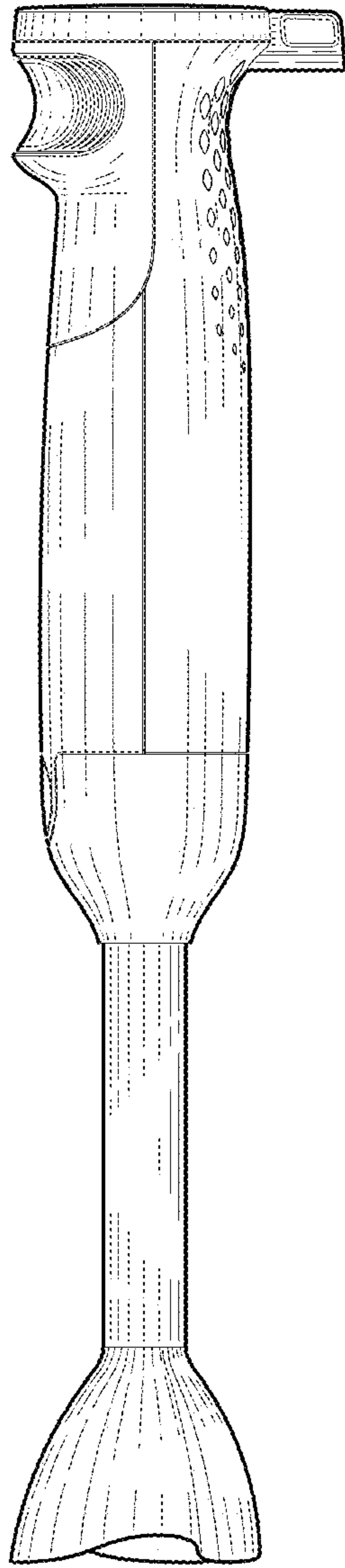


FIG. 4

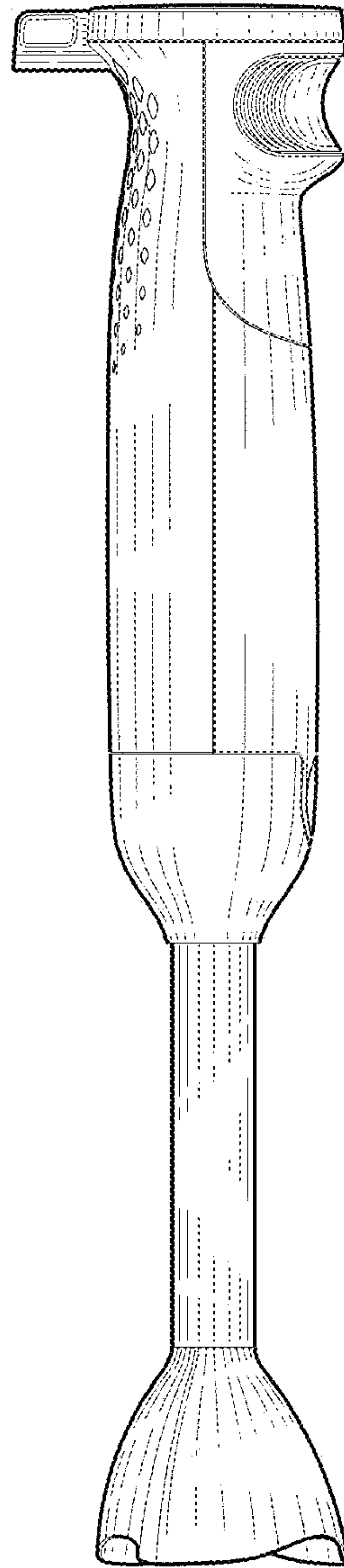


FIG. 5

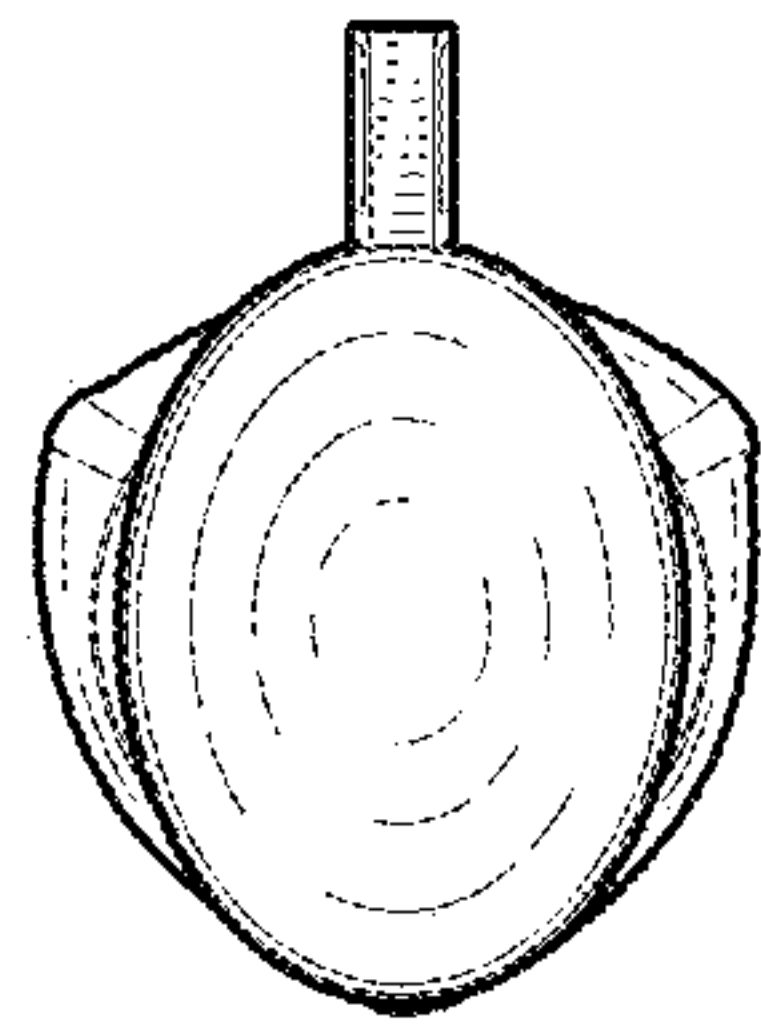


FIG. 6

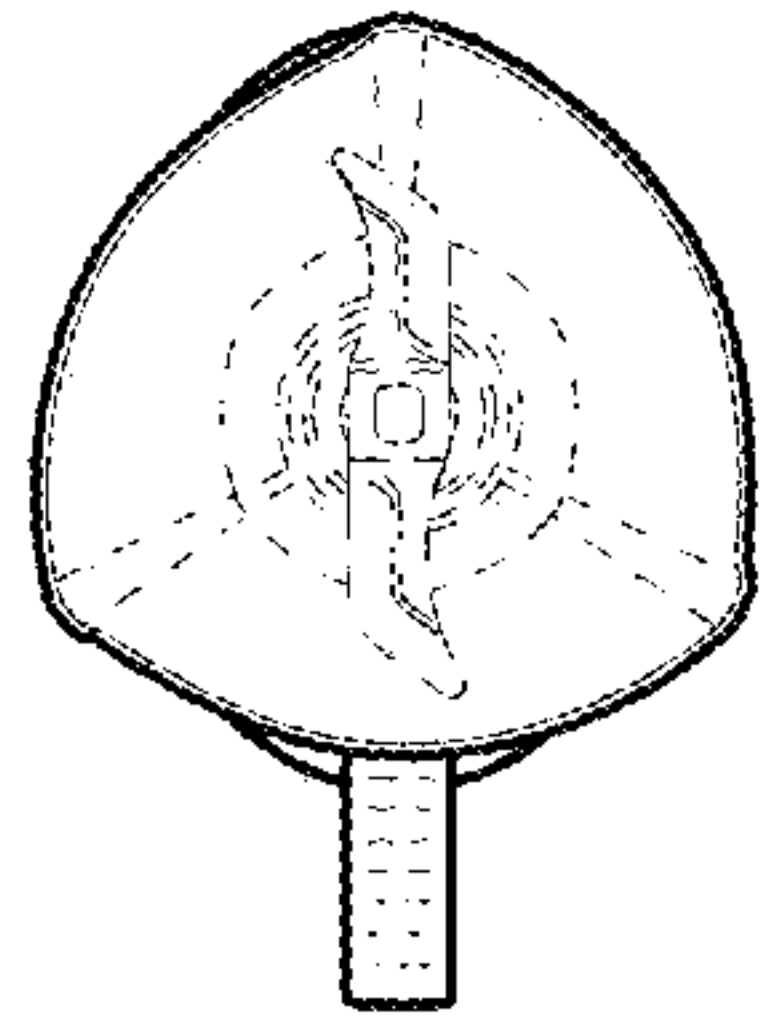


FIG. 7