



US00D751857S

(12) **United States Design Patent**
Kemker et al.

(10) **Patent No.:** **US D751,857 S**
(45) **Date of Patent:** **** Mar. 22, 2016**

(54) **FOOD PREPARATION APPLIANCE**

(71) Applicant: **Vorwerk & Co. Interholding GmbH**,
Wuppertal (DE)

(72) Inventors: **Uwe Kemker**, Wuppertal (DE); **Felix Thies**, Wuppertal (DE)

(73) Assignee: **Vorwerk & Co. Interholding GmbH**,
Wuppertal (DE)

(**) Term: **14 Years**

(21) Appl. No.: **29/501,270**

(22) Filed: **Sep. 3, 2014**

(51) **LOC (10) Cl.** **31-00**

(52) **U.S. Cl.**

USPC **D7/376**; D7/378; D7/3; D7/84

(58) **Field of Classification Search**

USPC D7/372, 376–386, 412–413, 602, 629,
D7/665–666, 669, 679, 693–694

CPC A21C 1/02; A21C 1/04; A23N 1/00;
A23N 1/02; A47J 27/14; A47J 43/04; A47J
43/25; A47J 43/27; A47J 43/042; A47J
43/044; A47J 43/046; A47J 43/075; A47J
43/0722; A47J 43/0727; B01F 3/00; B01F
3/0807; B01F 3/0853; B01F 13/0059; B01F
13/0064; B02C 1/08; B02C 2/04; B02C 4/42;
B02C 4/142; B02C 4/143; B02C 4/423;
B02C 13/1835; B28C 5/10; B28C 5/12;
B28C 5/14; B28C 5/16

See application file for complete search history.

(56) **References Cited**

U.S. PATENT DOCUMENTS

D89,652 S * 4/1933 Preston D7/665
D191,152 S * 8/1961 Rawson et. al. D7/378

(Continued)

Primary Examiner — Ricky Pham

(74) *Attorney, Agent, or Firm* — Collard & Roe, P.C.

(57) **CLAIM**

The ornamental design for a food preparation appliance, as shown and described.

DESCRIPTION

FIG. 1 is a front view of one embodiment of a food preparation appliance, showing our new design in an unlocked position;

FIG. 2 is a first side view thereof;

FIG. 3 is a rear view thereof;

FIG. 4 is a second side view thereof, opposite the first side view shown in FIG. 2;

FIG. 5 is a top view thereof;

FIG. 6 is a bottom view thereof;

FIG. 7 is a front, first side and top perspective view thereof;

FIG. 8 is a front view of the embodiment of FIG. 1 in a locked position;

FIG. 9 is a first side view thereof;

FIG. 10 is a rear view thereof;

FIG. 11 is a second side view thereof, opposite the first side view shown in FIG. 9;

FIG. 12 is a top view thereof;

FIG. 13 is a bottom view thereof; and,

FIG. 14 is a front, first side and top perspective view thereof;

FIG. 15 is a front view of the embodiment of FIG. 1 with the mixing vessel removed;

FIG. 16 is a first side view thereof;

FIG. 17 is a rear view thereof;

FIG. 18 is a second side view thereof, opposite the first side view of FIG. 16;

FIG. 19 is a top view thereof;

FIG. 20 is a bottom view thereof;

FIG. 21 is a front, first side and top perspective view thereof;

FIG. 22 is a front view of another alternative embodiment of the food preparation appliance, showing our new design;

FIG. 23 is a first side view thereof;

FIG. 24 is a second side view thereof, opposite the first side view of FIG. 23;

FIG. 25 is a rear view thereof;

FIG. 26 is a top view thereof;

FIG. 27 is a bottom view thereof;

FIG. 28 is a top, front and second side perspective view thereof;

FIG. 29 is a front view of another alternative embodiment of the food preparation appliance showing our new design;

FIG. 30 is a first side view thereof;

FIG. 31 is a rear view thereof;

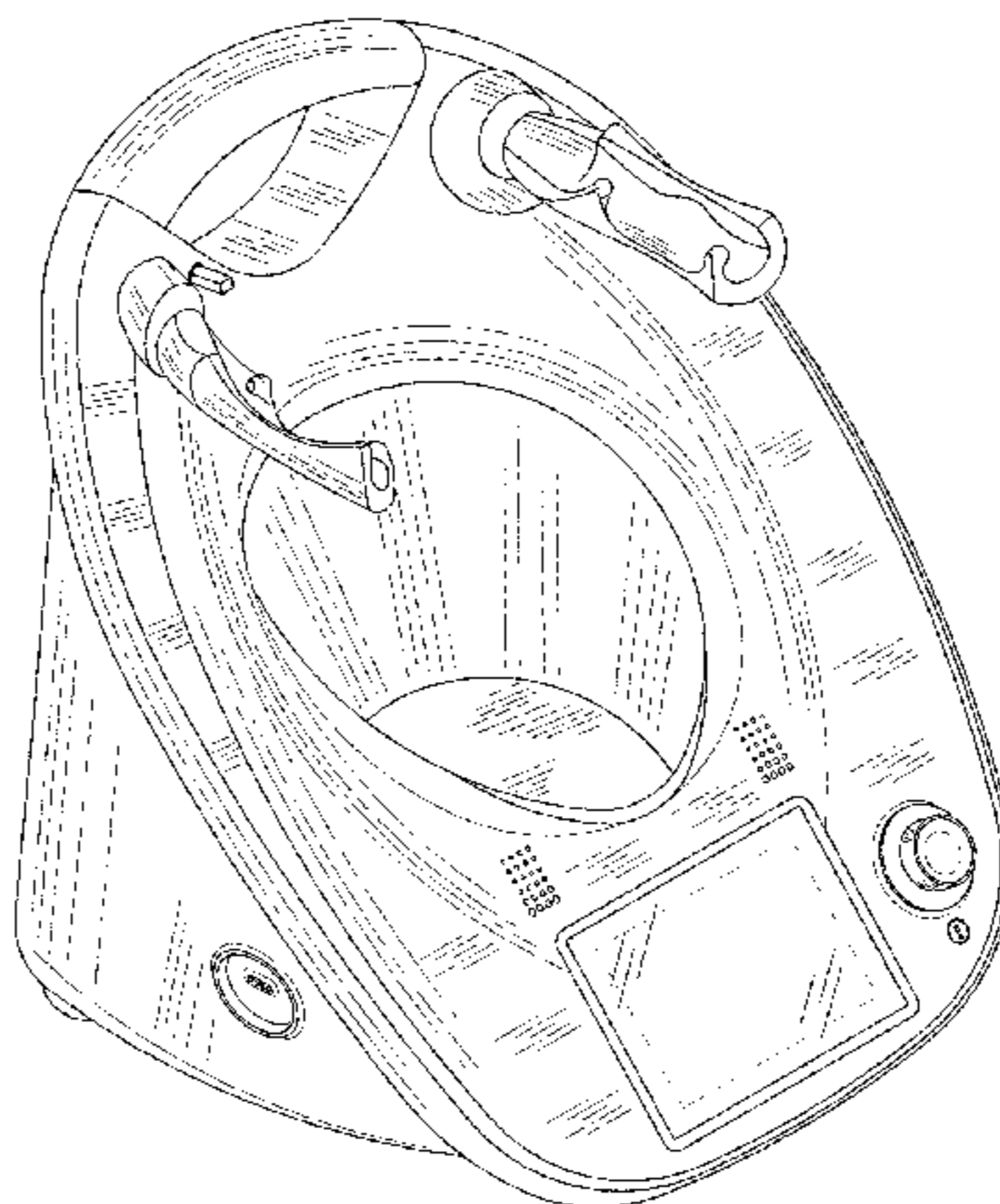
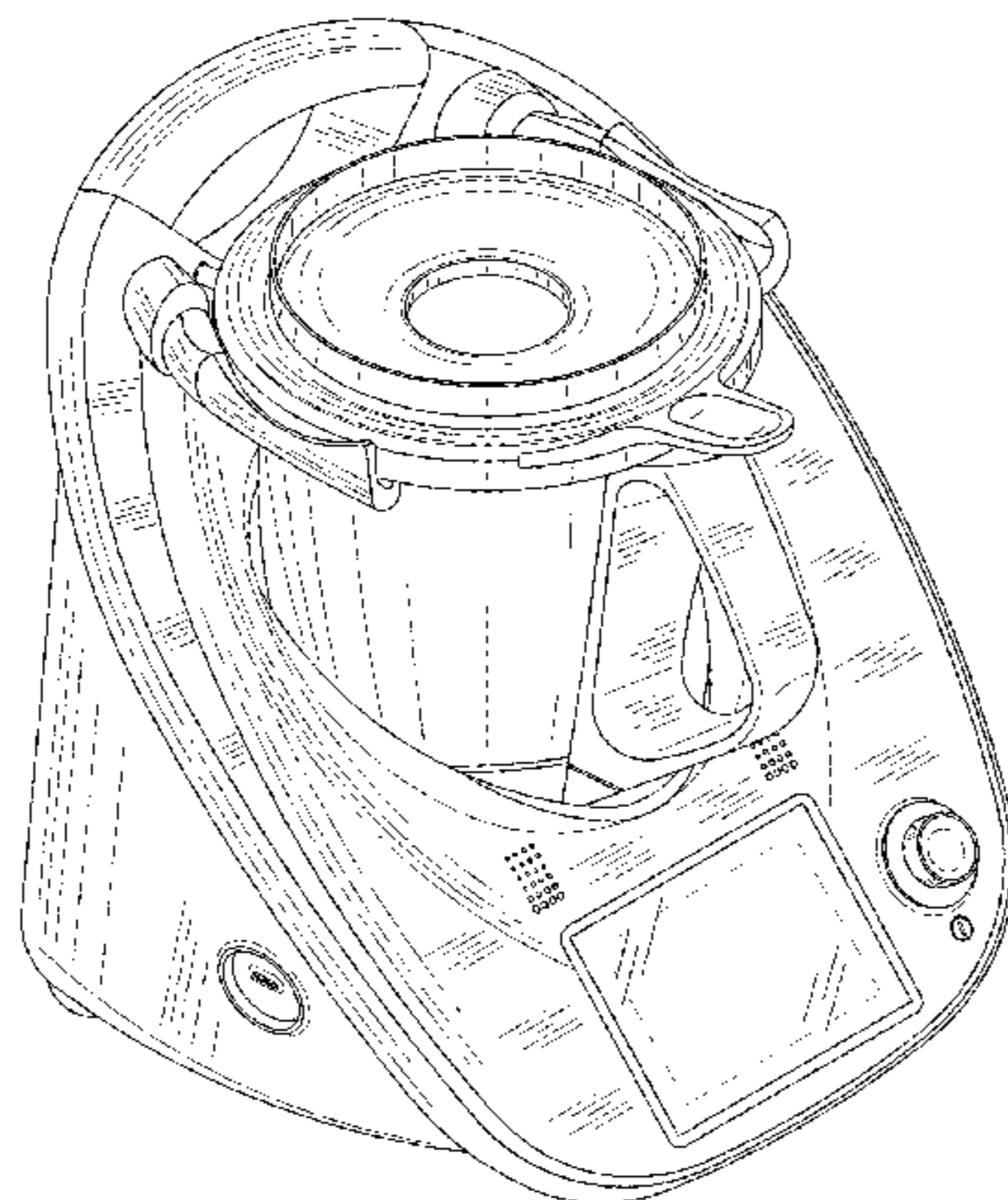
FIG. 32 is a second side view thereof, opposite the first side view of FIG. 30;

FIG. 33 is a top view thereof;

FIG. 34 is a bottom view thereof; and,

FIG. 35 is a top, front and first side perspective view thereof.

1 Claim, 35 Drawing Sheets



(56)

References Cited

U.S. PATENT DOCUMENTS

D320,717 S * 10/1991 O'Brien D7/384
D321,812 S * 11/1991 Maass D7/368
D338,803 S * 8/1993 Littmann D7/376
D373,703 S * 9/1996 Frisell D7/384
5,799,567 A * 9/1998 Dorner A47J 27/14
177/132

D444,026 S * 6/2001 Chaudeurge D7/384
D453,662 S * 2/2002 Hensel D7/384
D511,930 S * 11/2005 Wong D7/376
D630,041 S * 1/2011 Cai D7/376
D707,079 S * 6/2014 Blaise D7/376
D708,007 S * 7/2014 Lazzer D7/376

* cited by examiner

Fig. 1

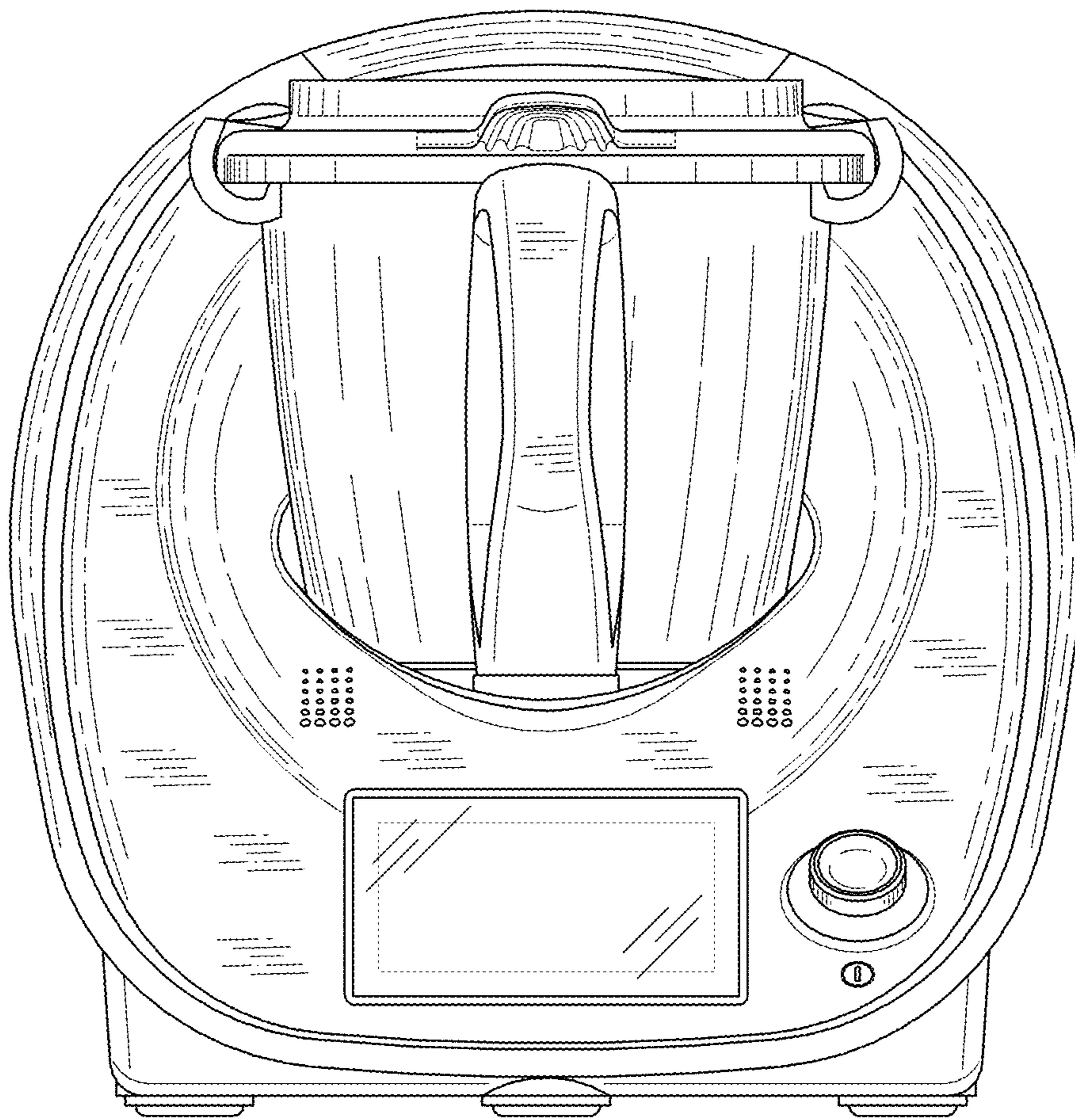


Fig. 2

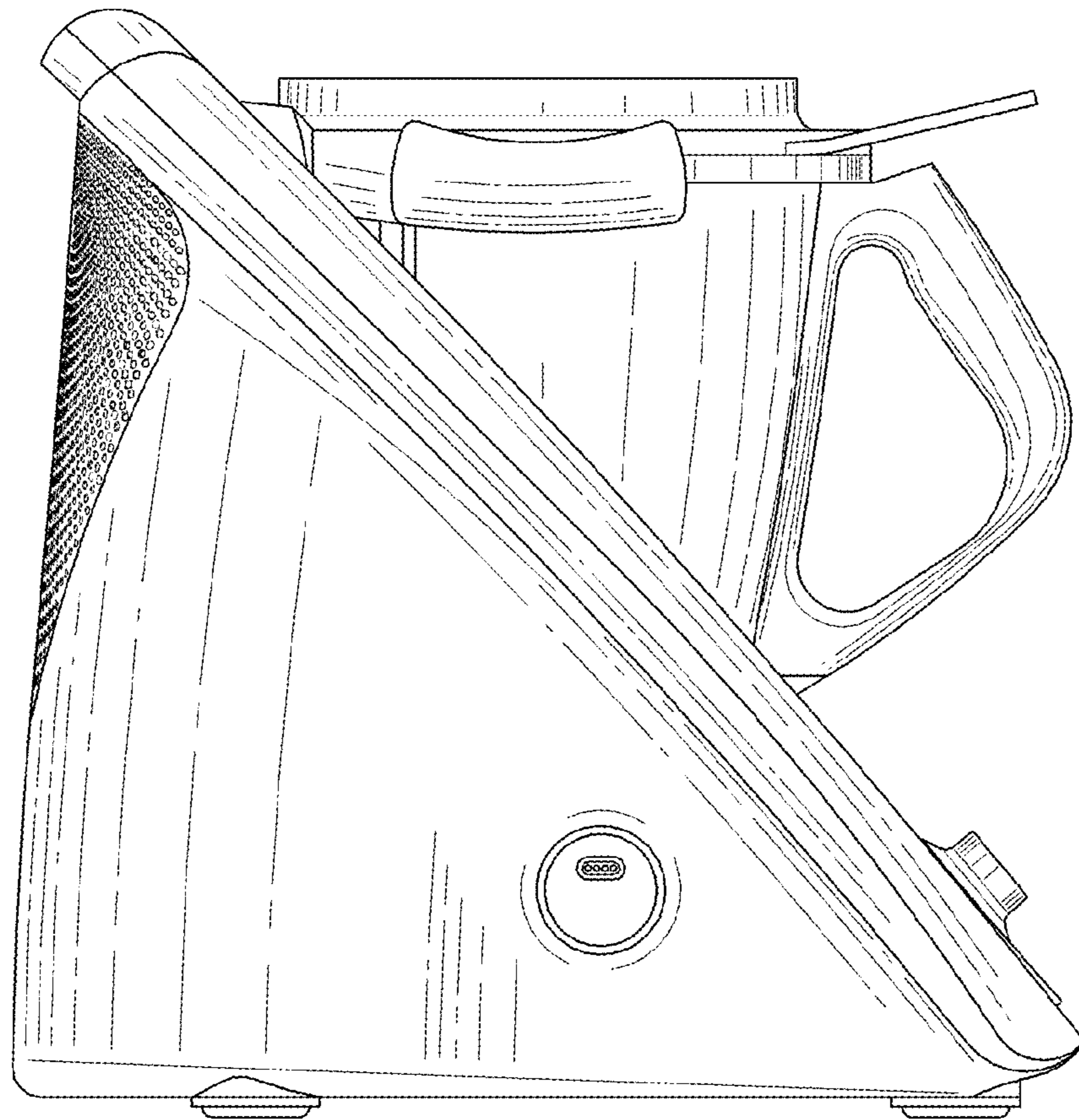


Fig. 3

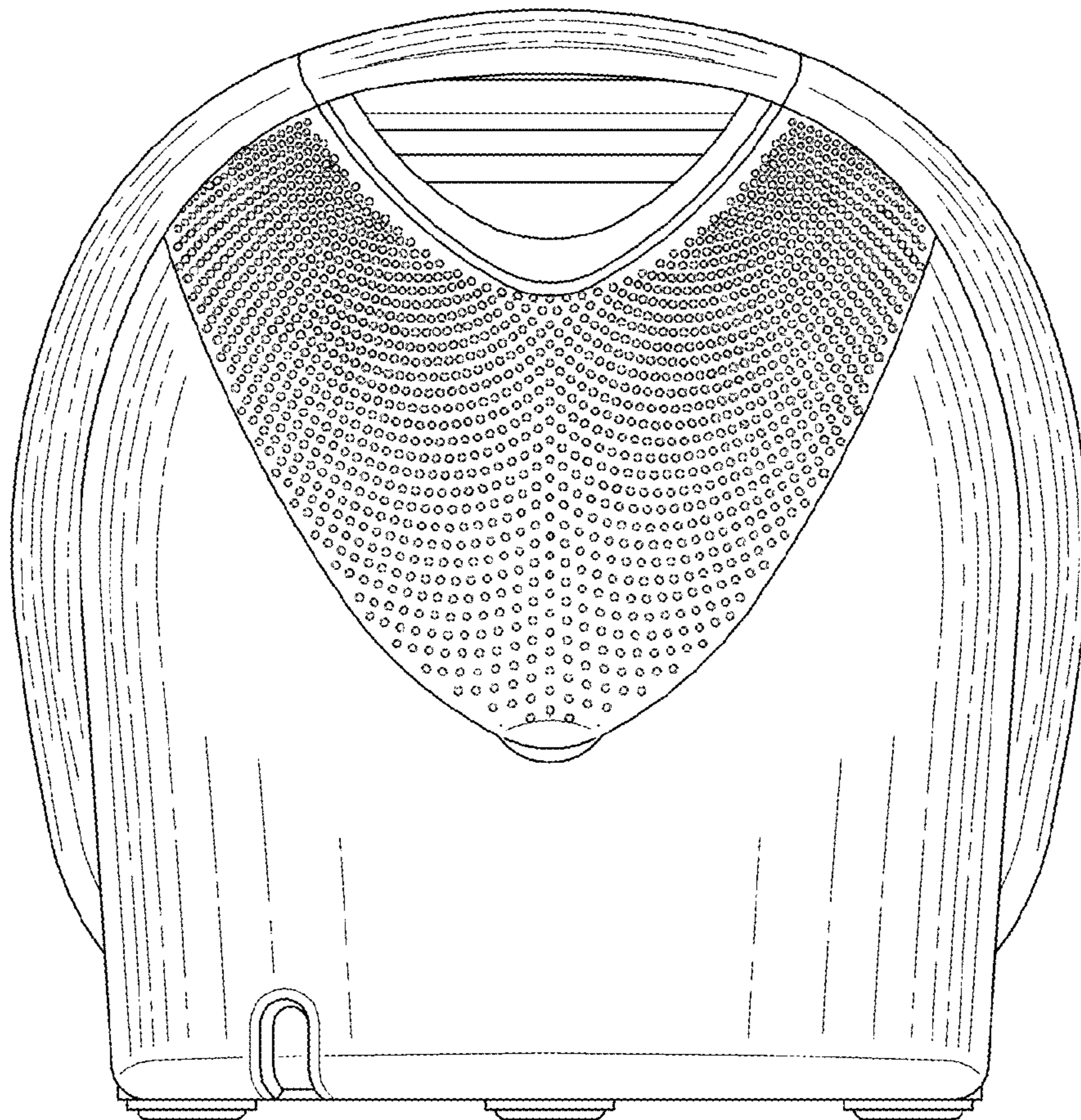


Fig. 4

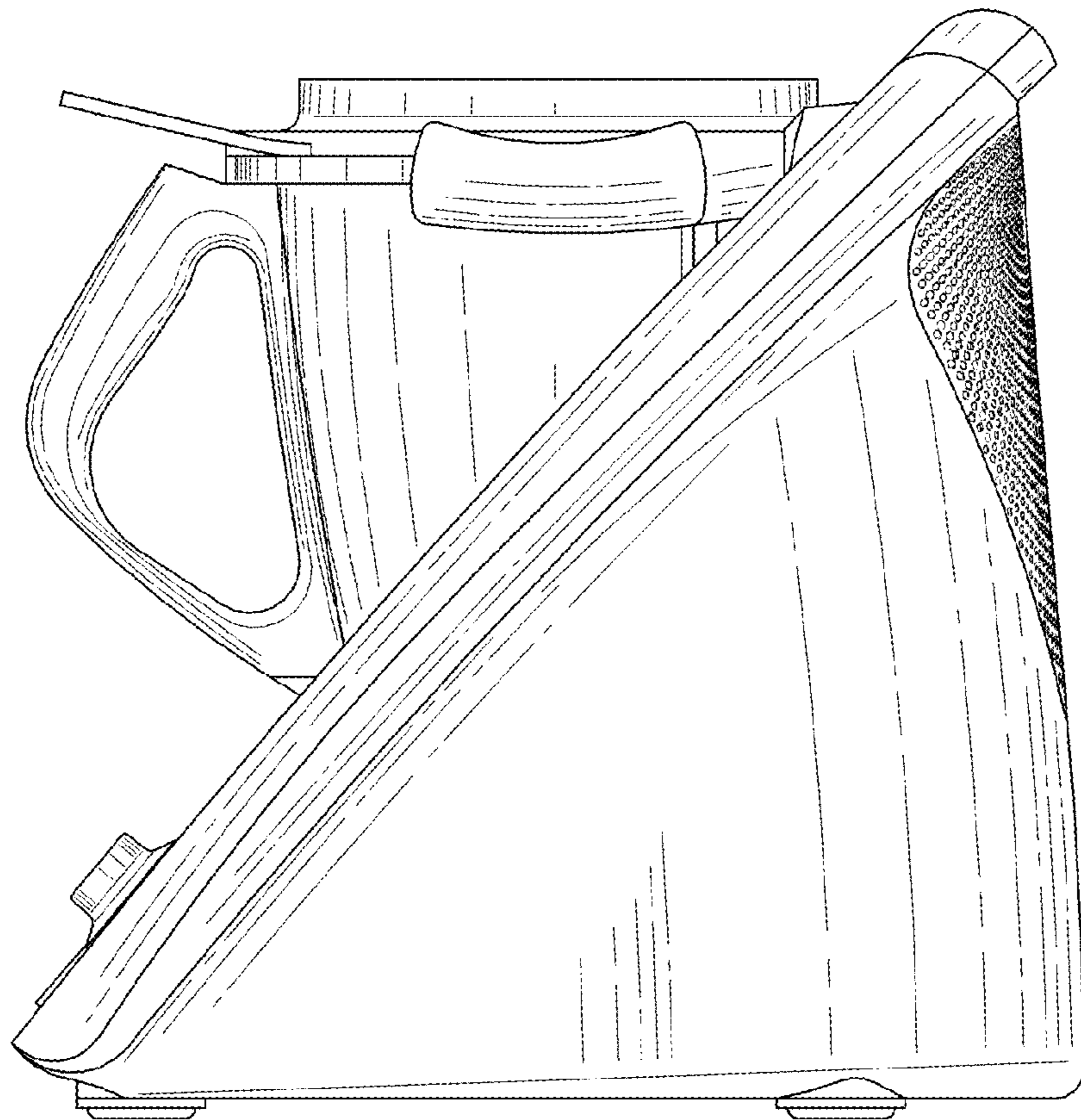


Fig. 5

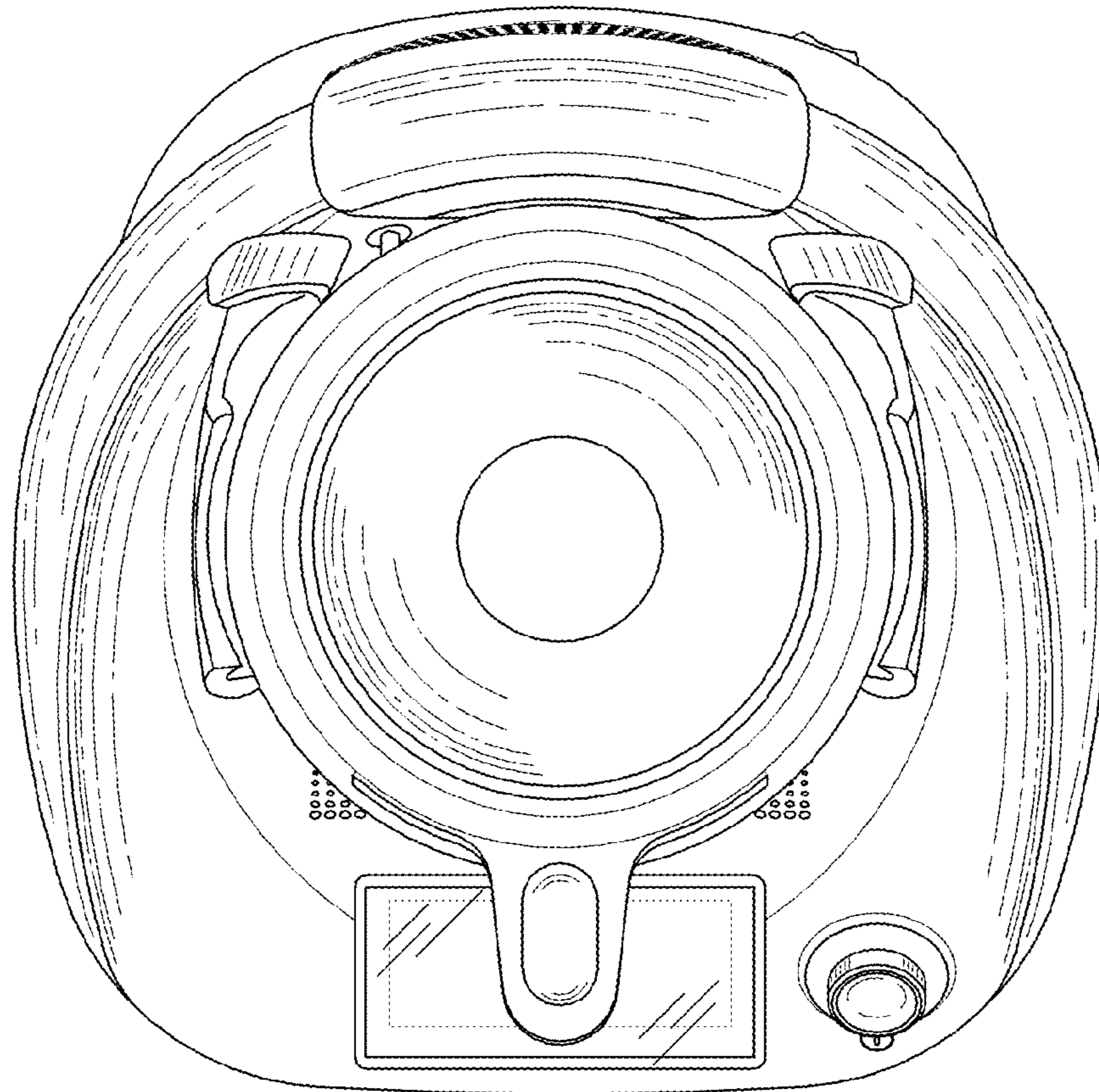


Fig. 6

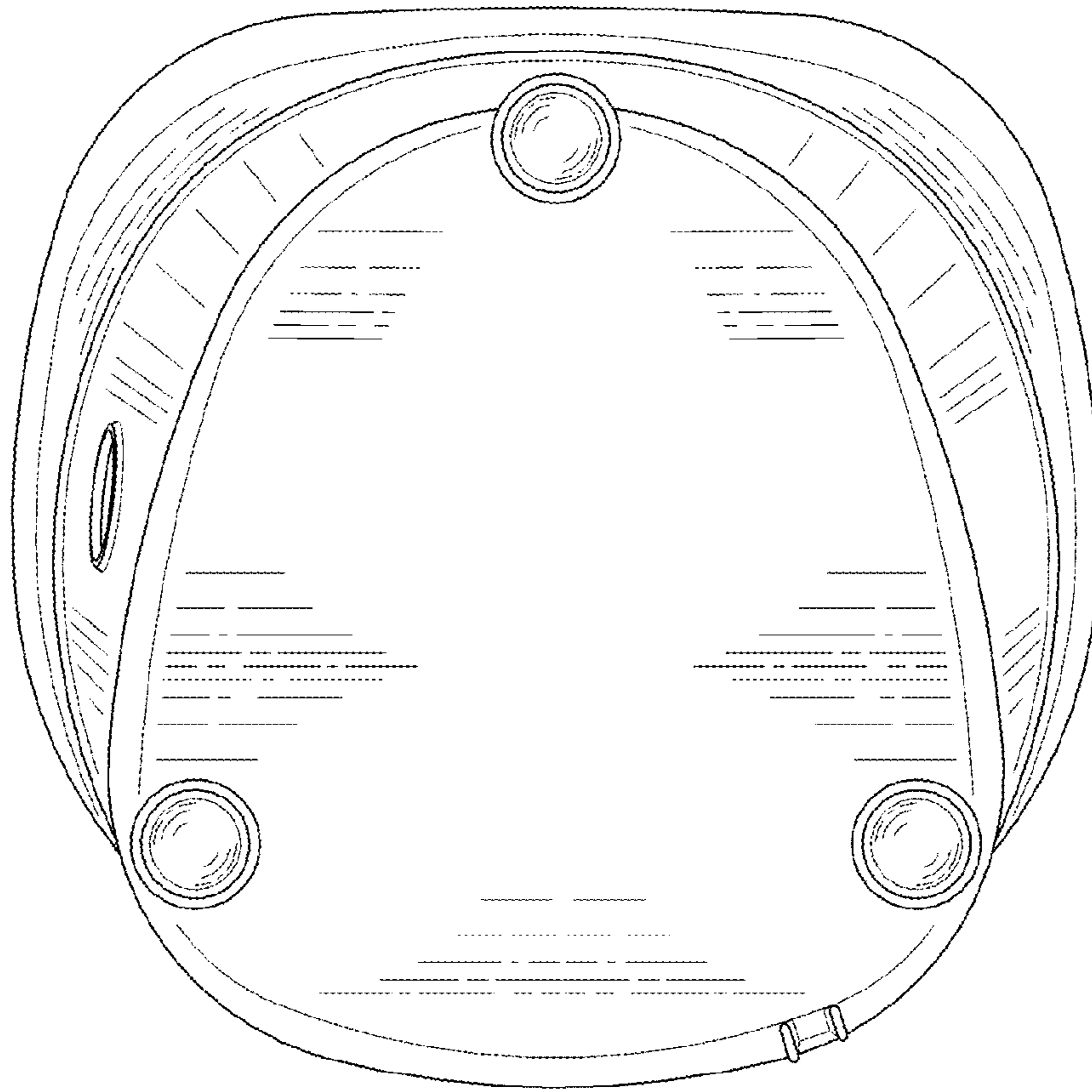


Fig. 7

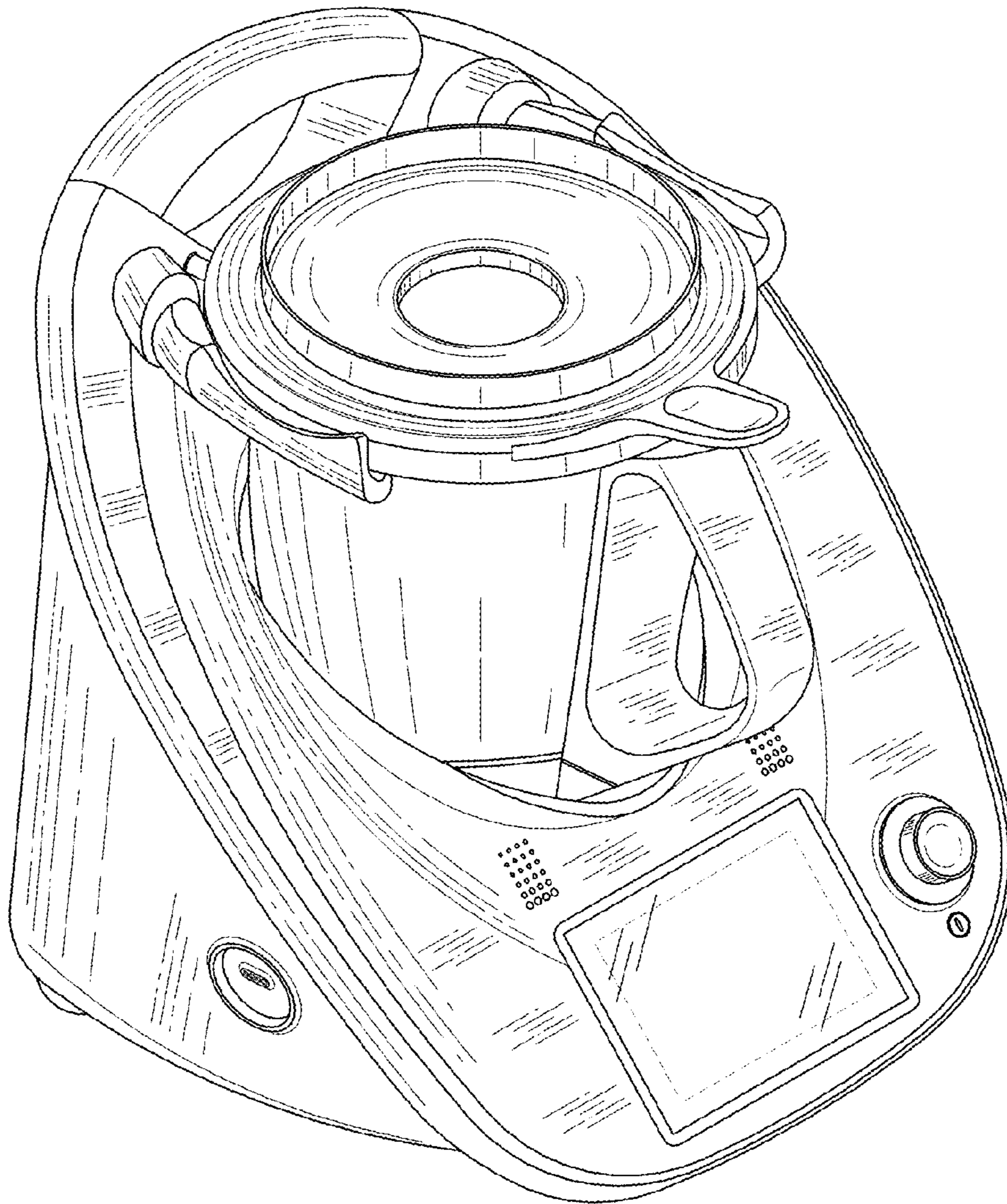


Fig. B

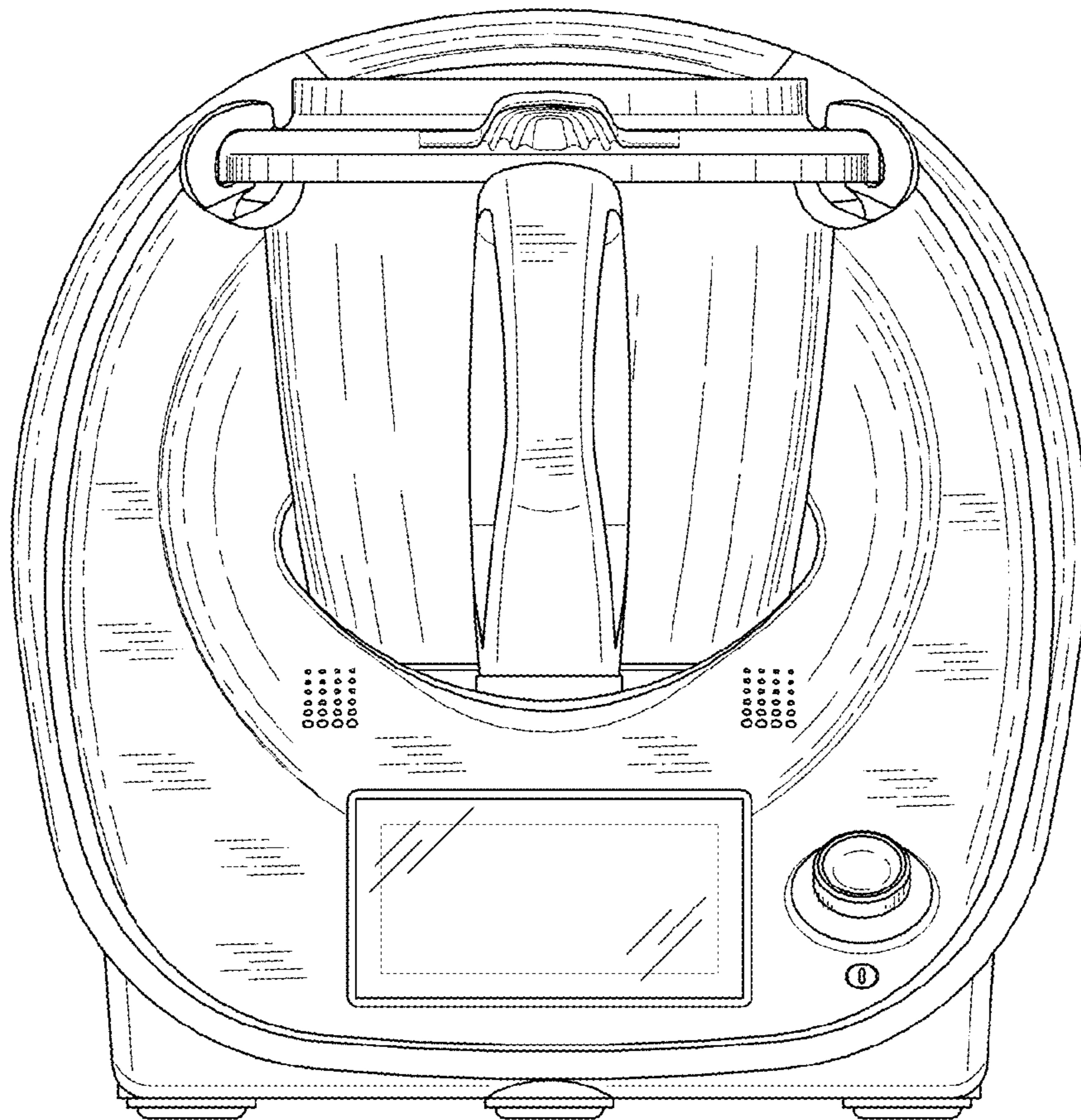


Fig. 9

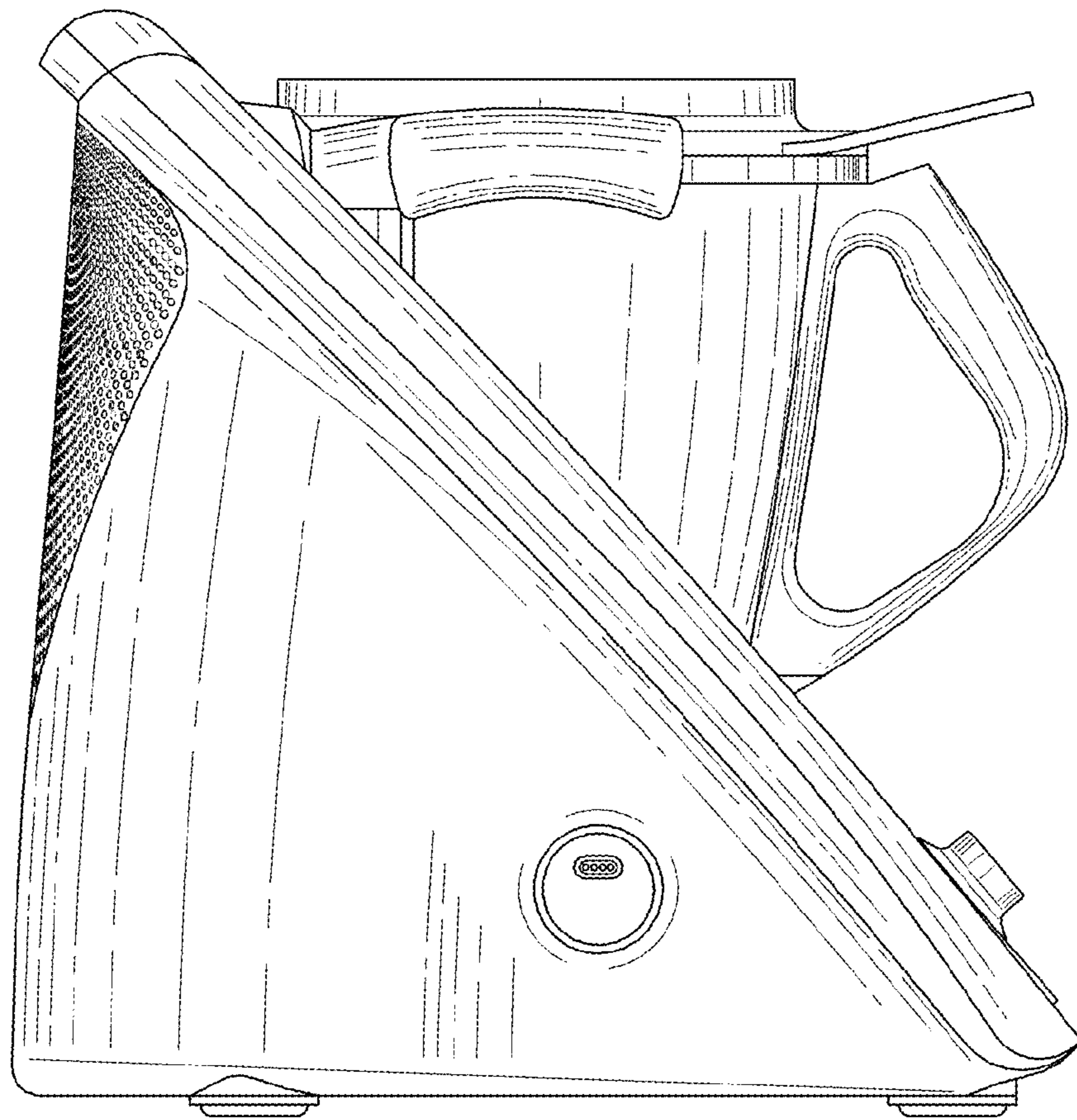


Fig. 10

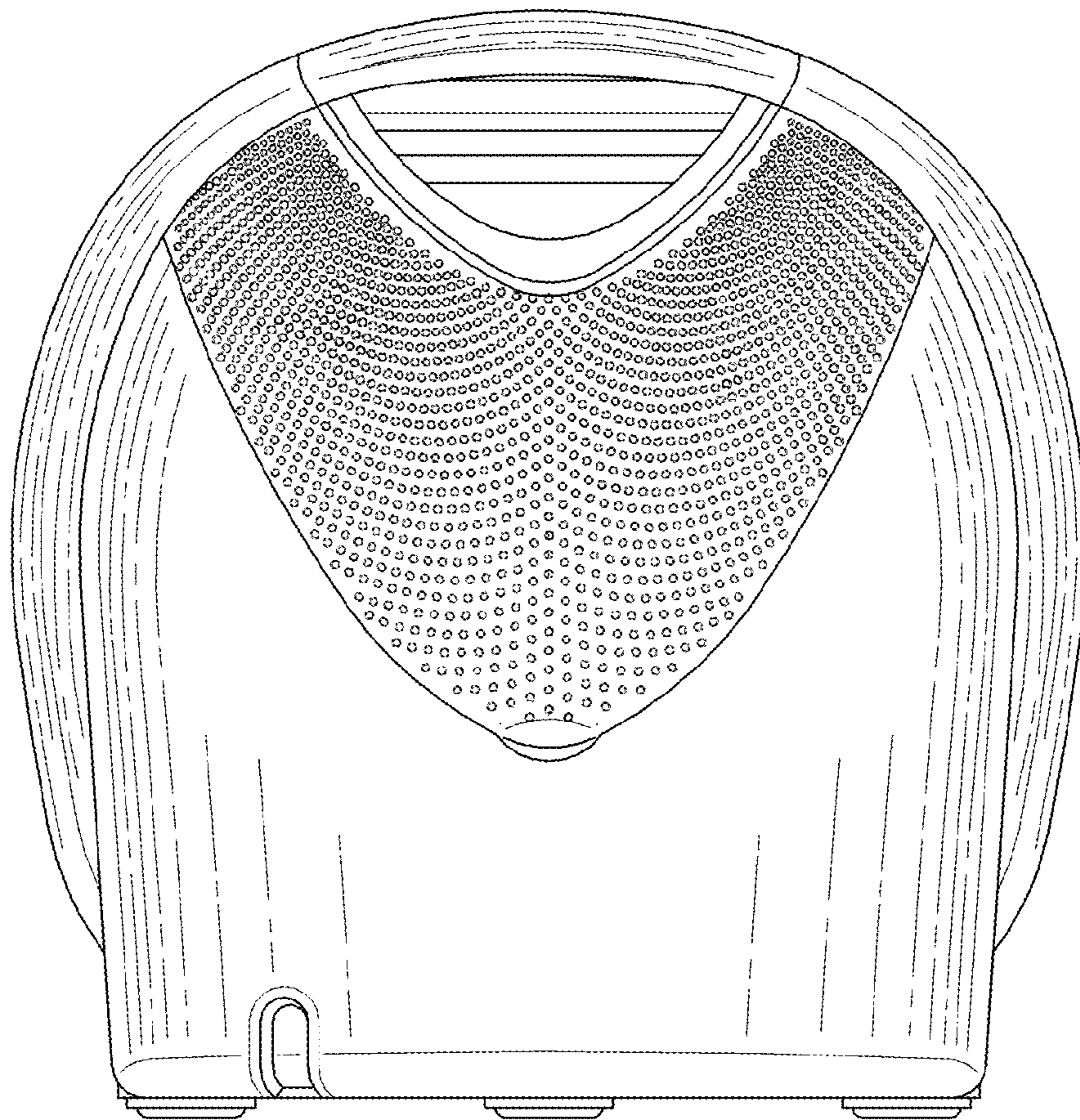


Fig. 11

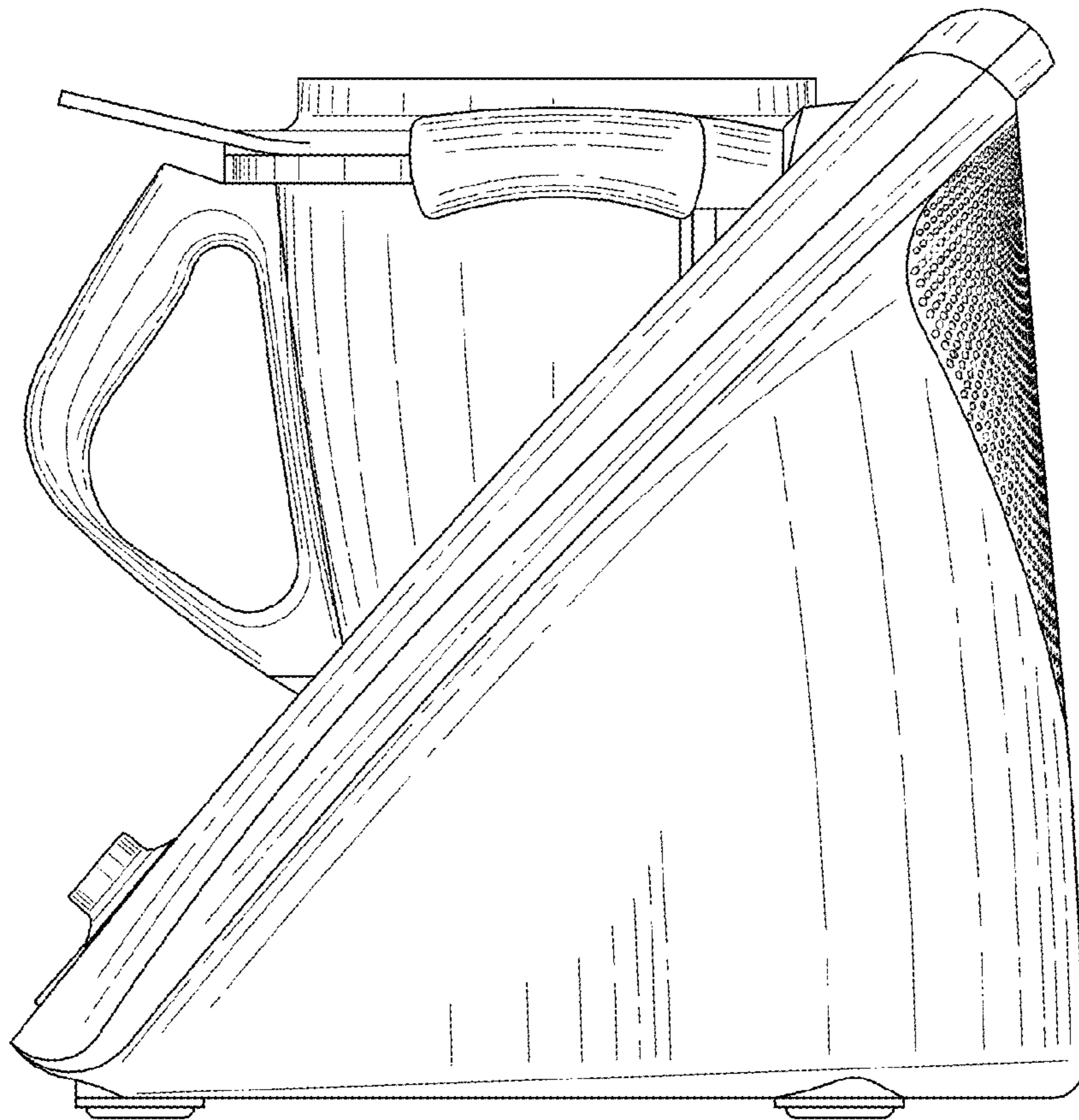


Fig. 12

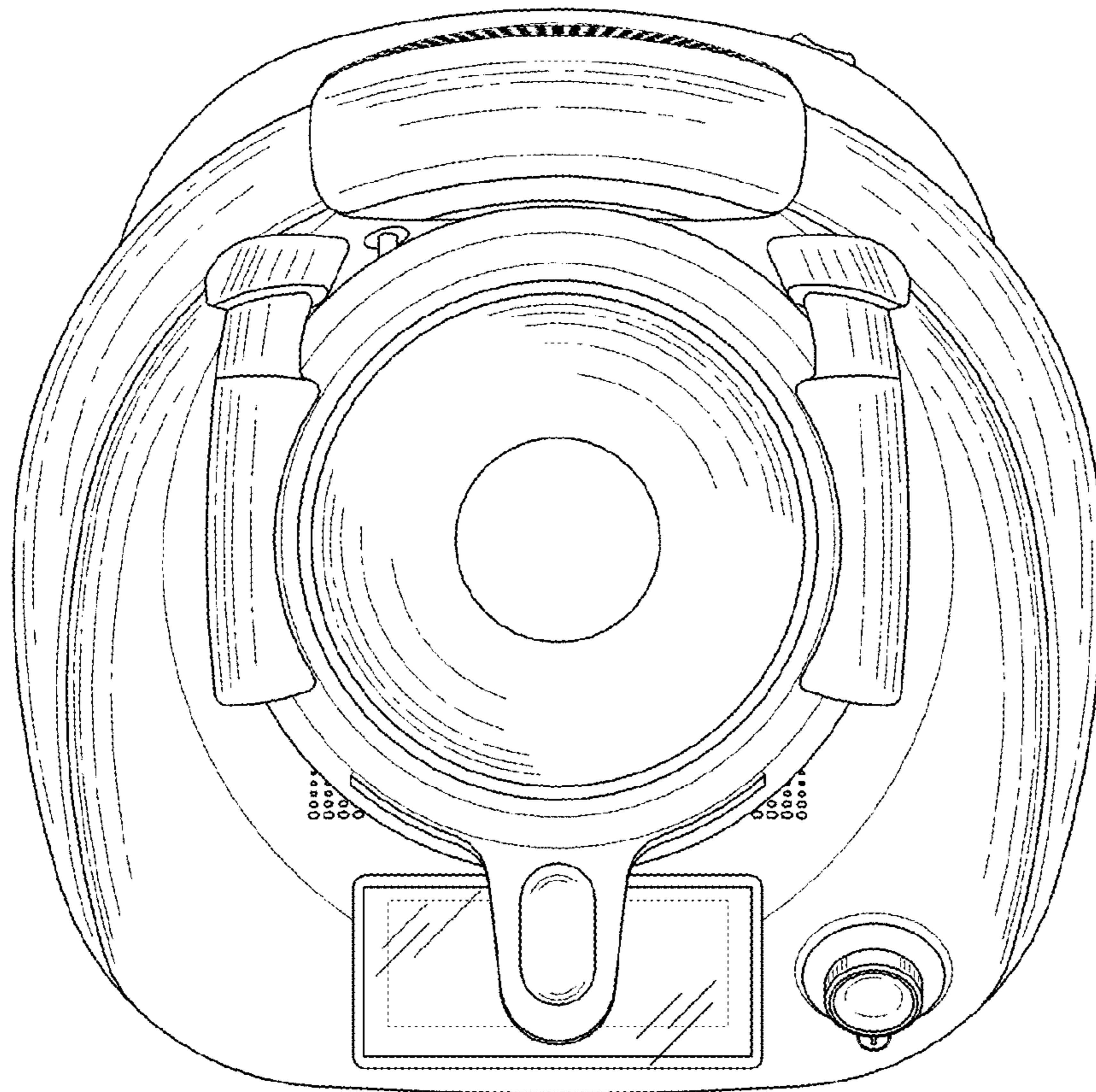


Fig. 13

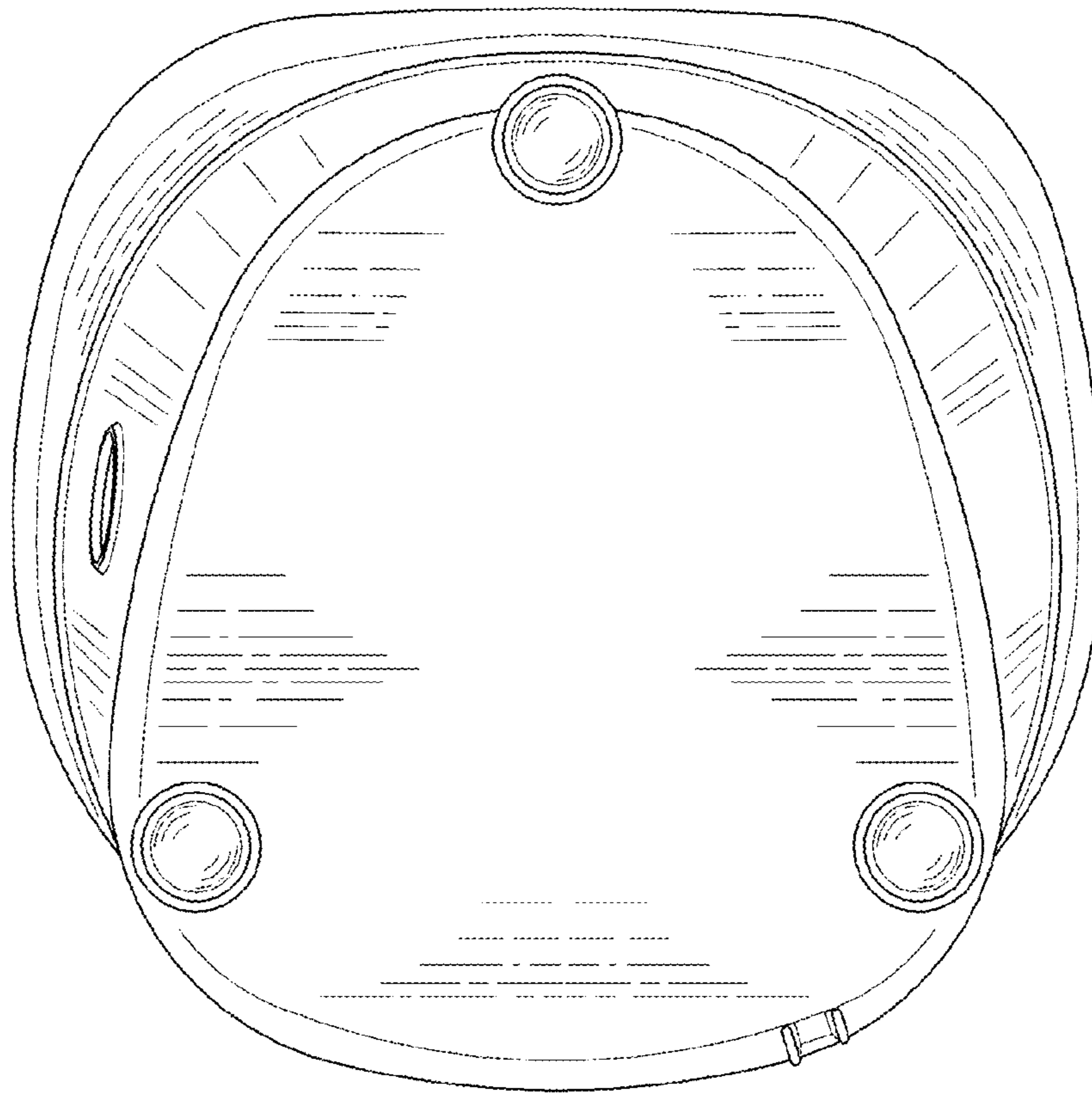


Fig. 14

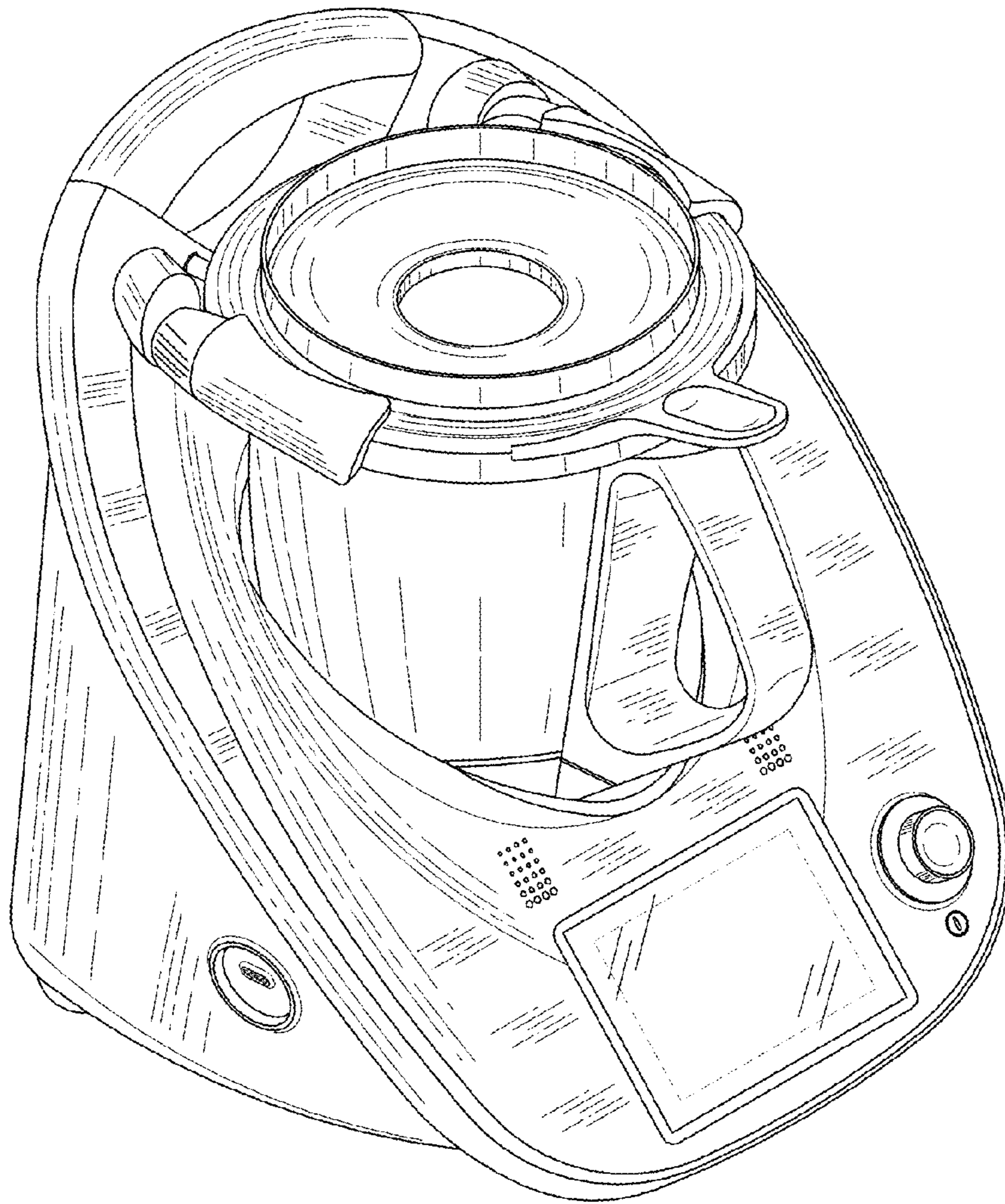


Fig. 15

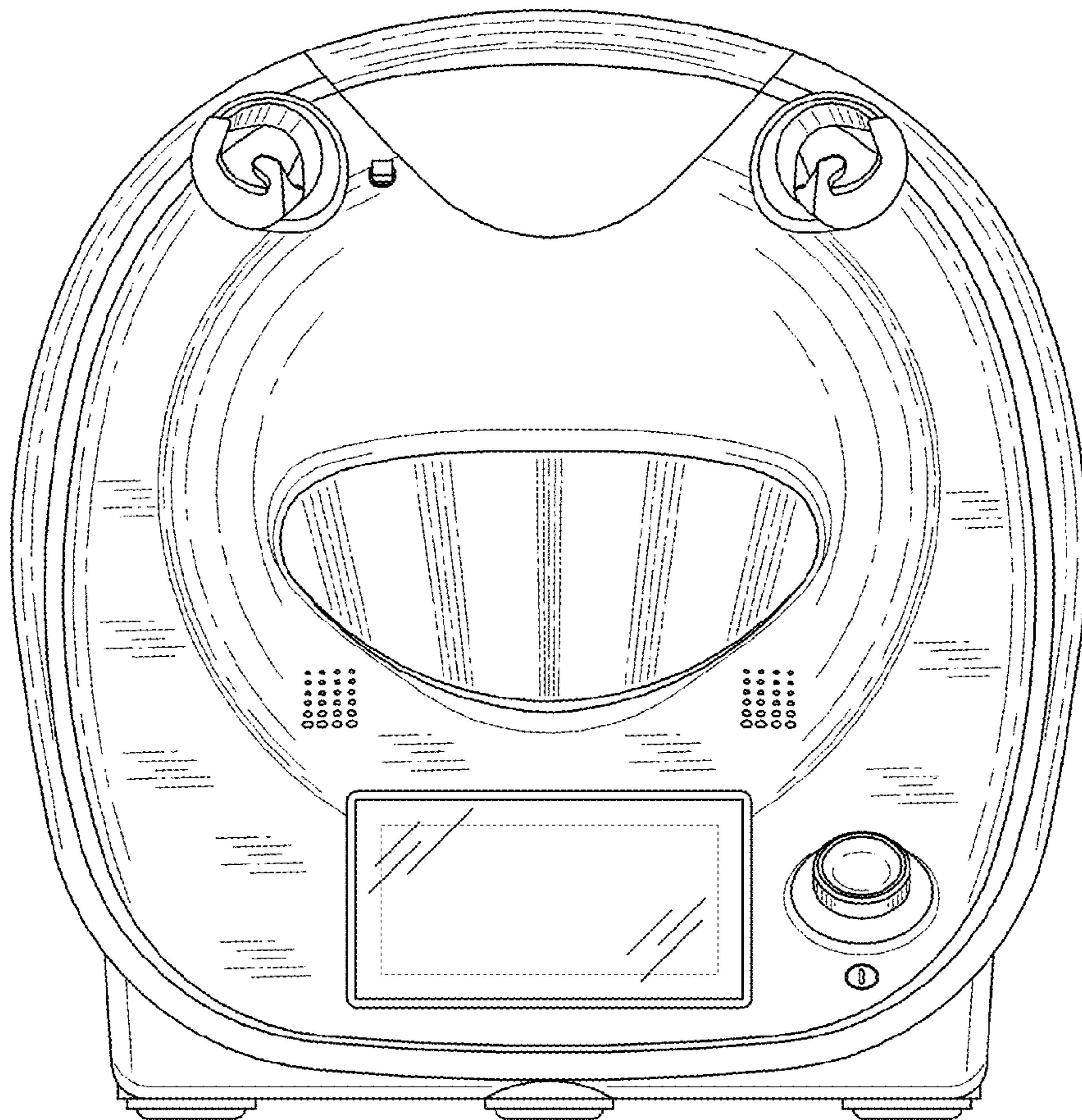


Fig. 16

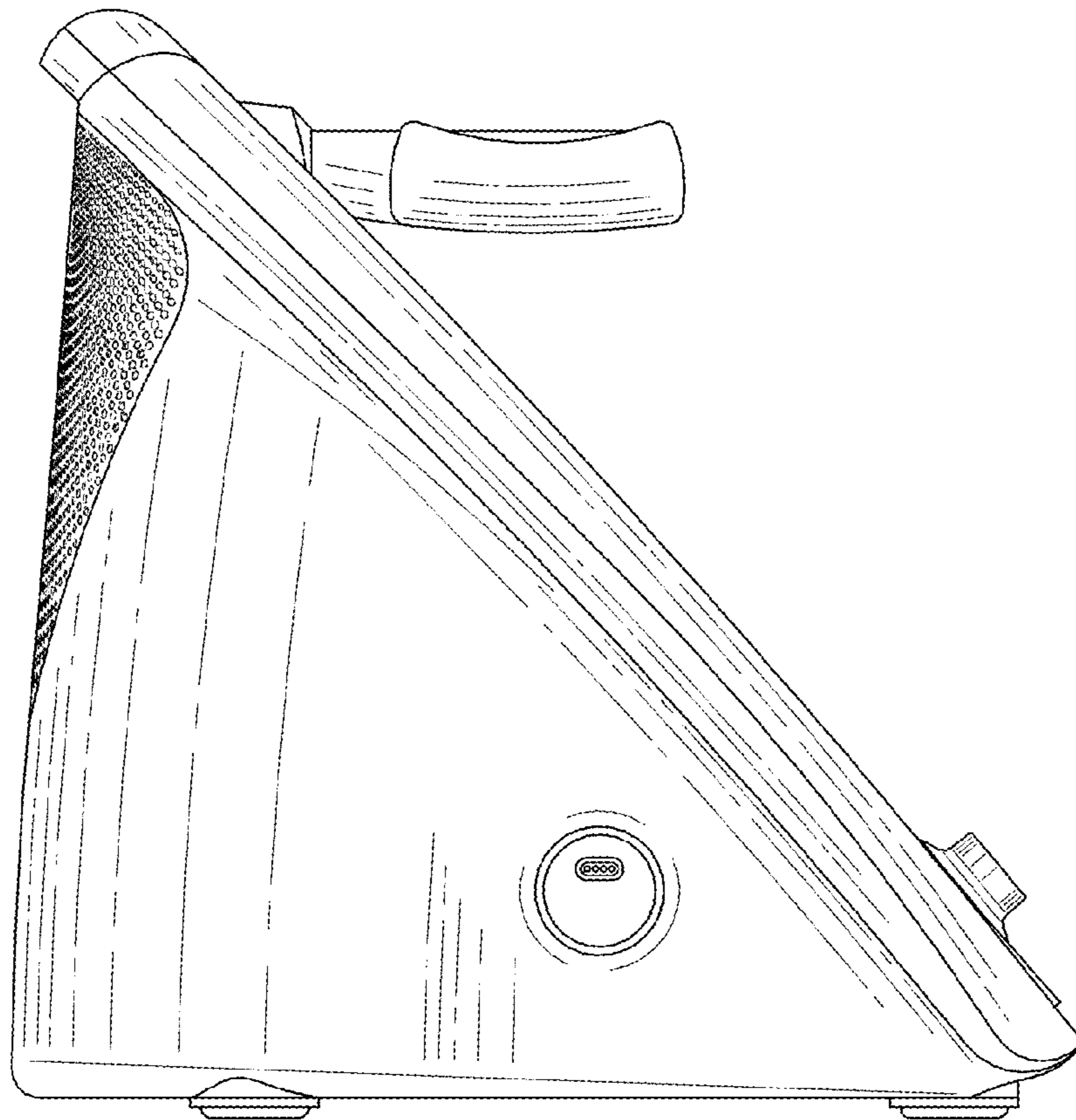


Fig. 17

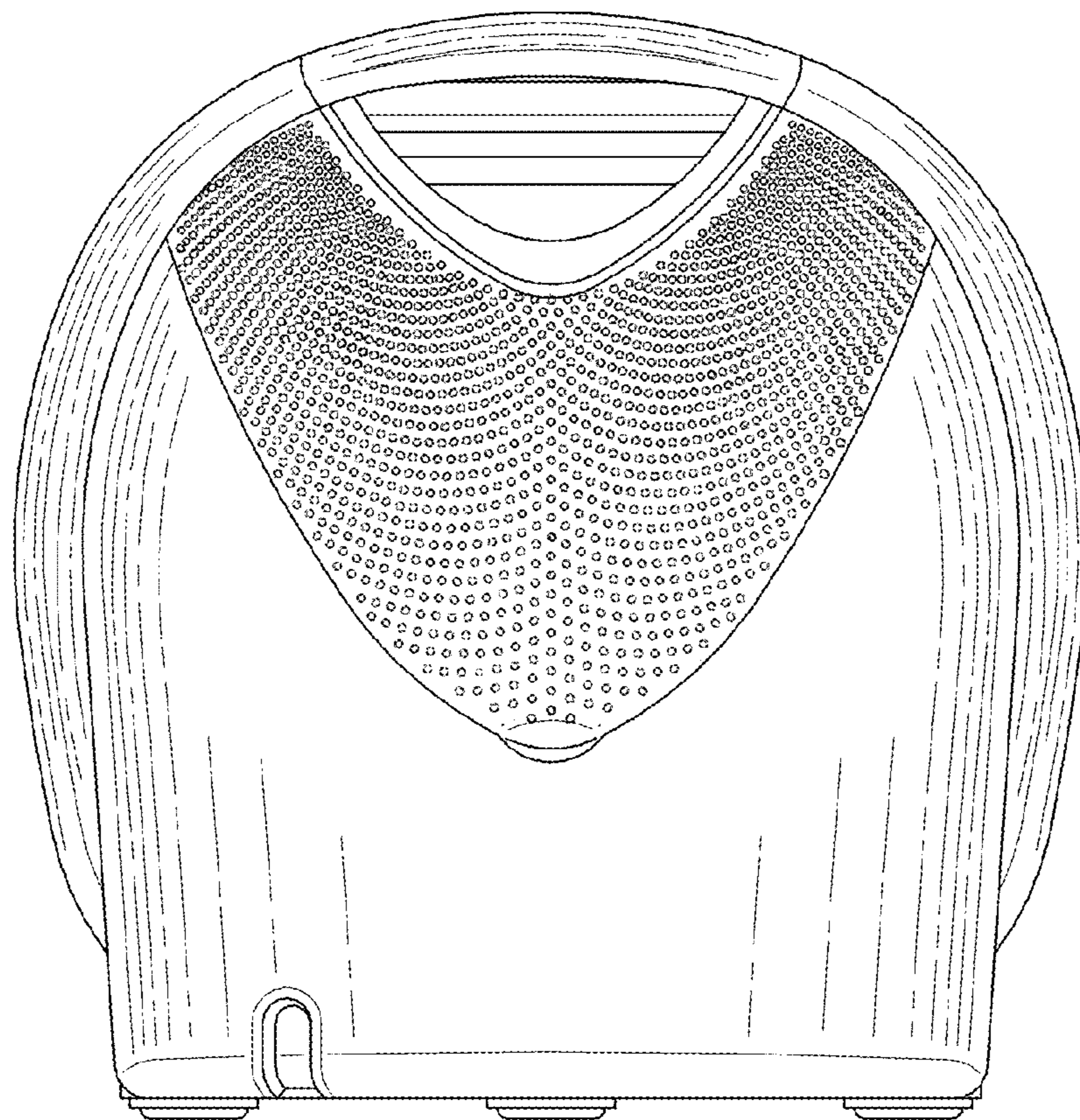


Fig. 1B

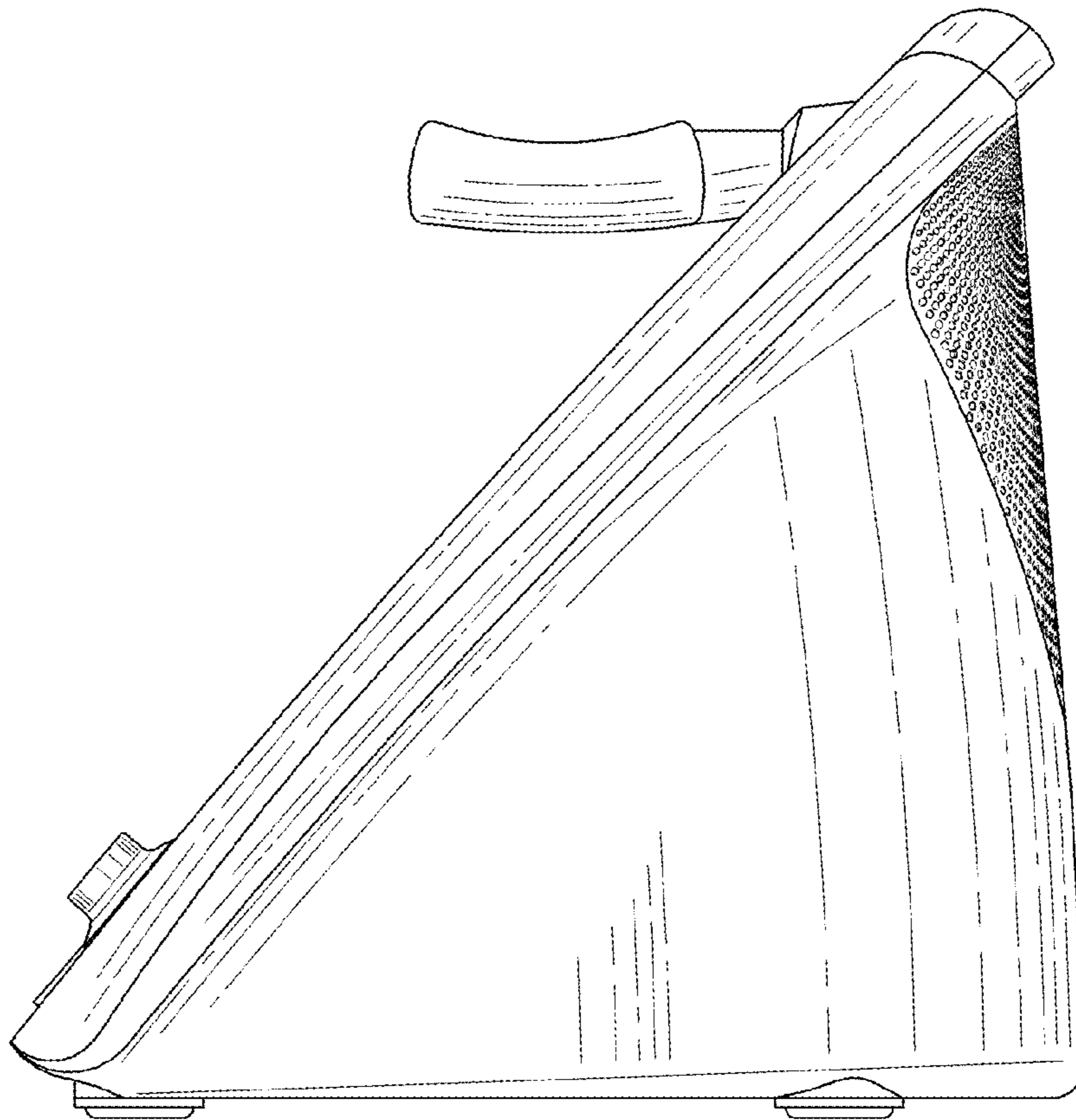


Fig. 19

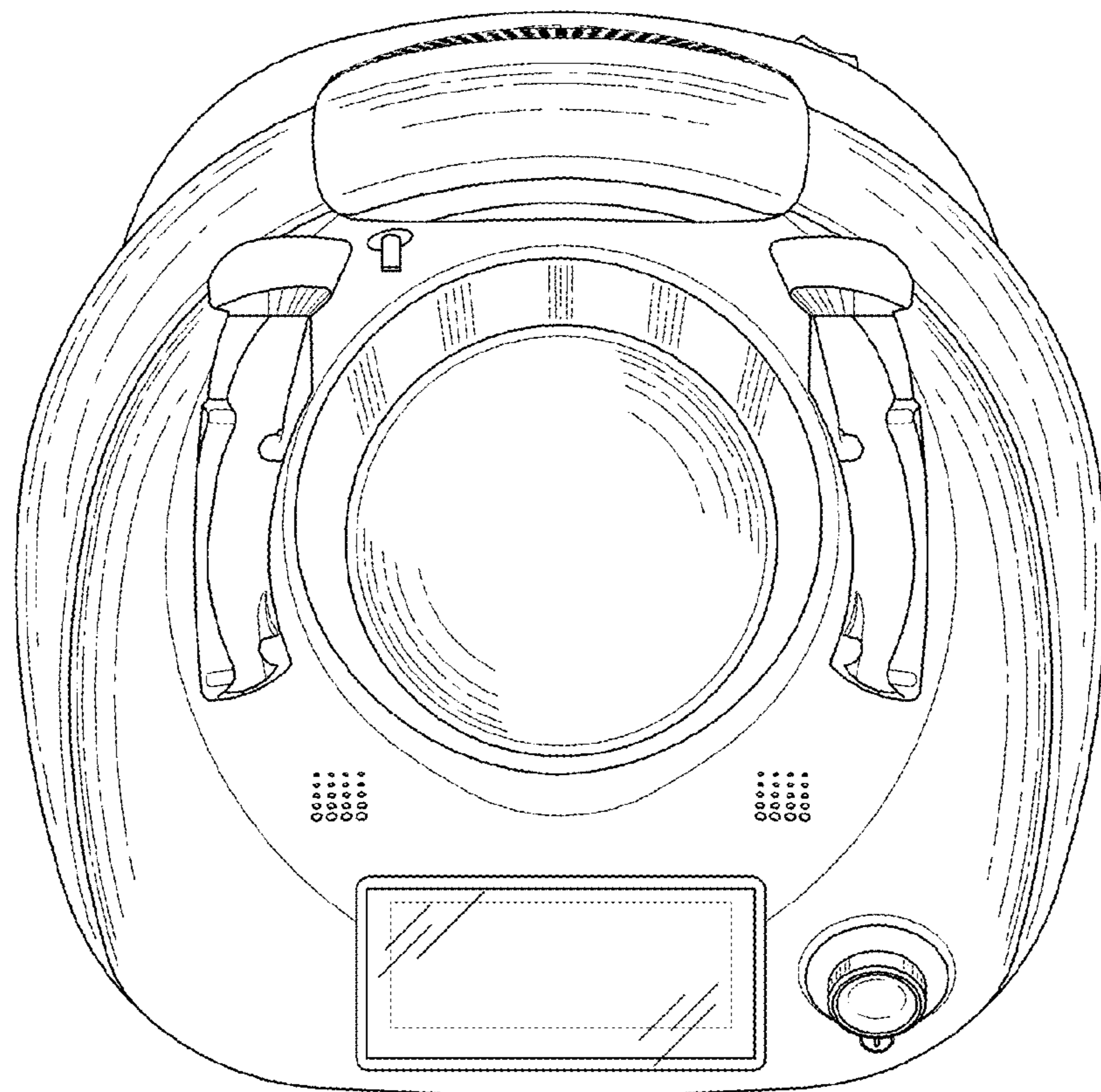


Fig. 20

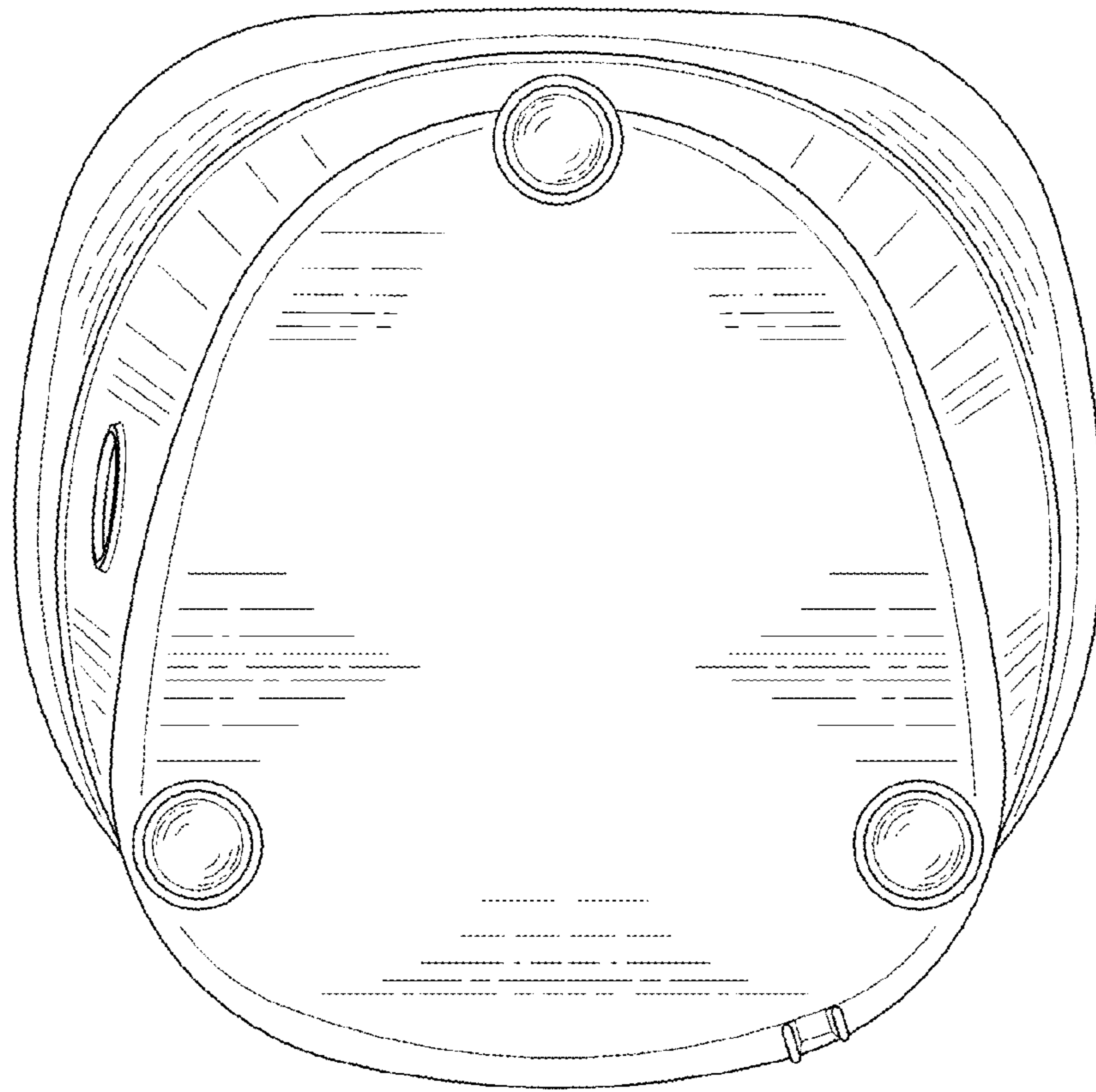


Fig. 21

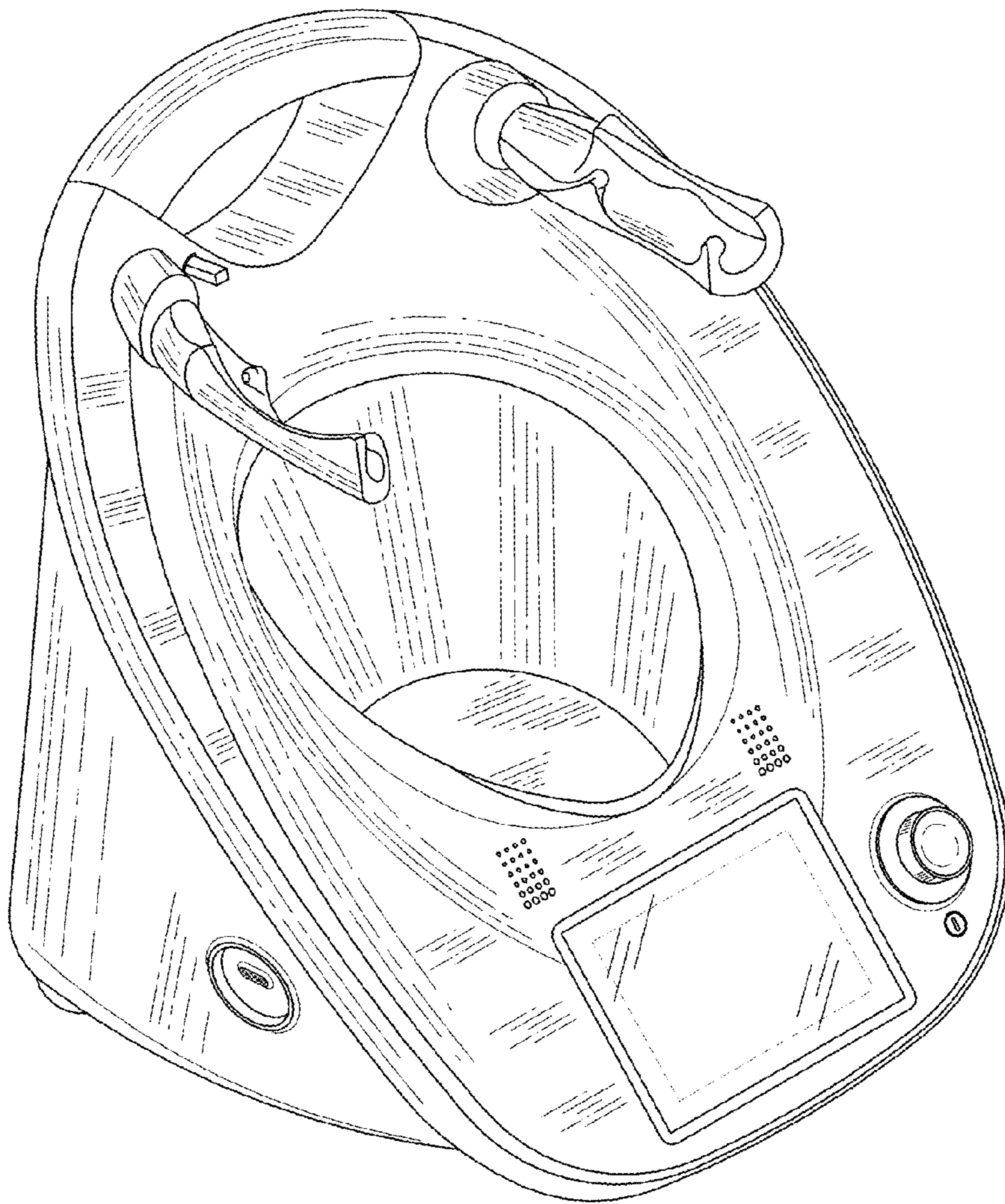


Fig. 22

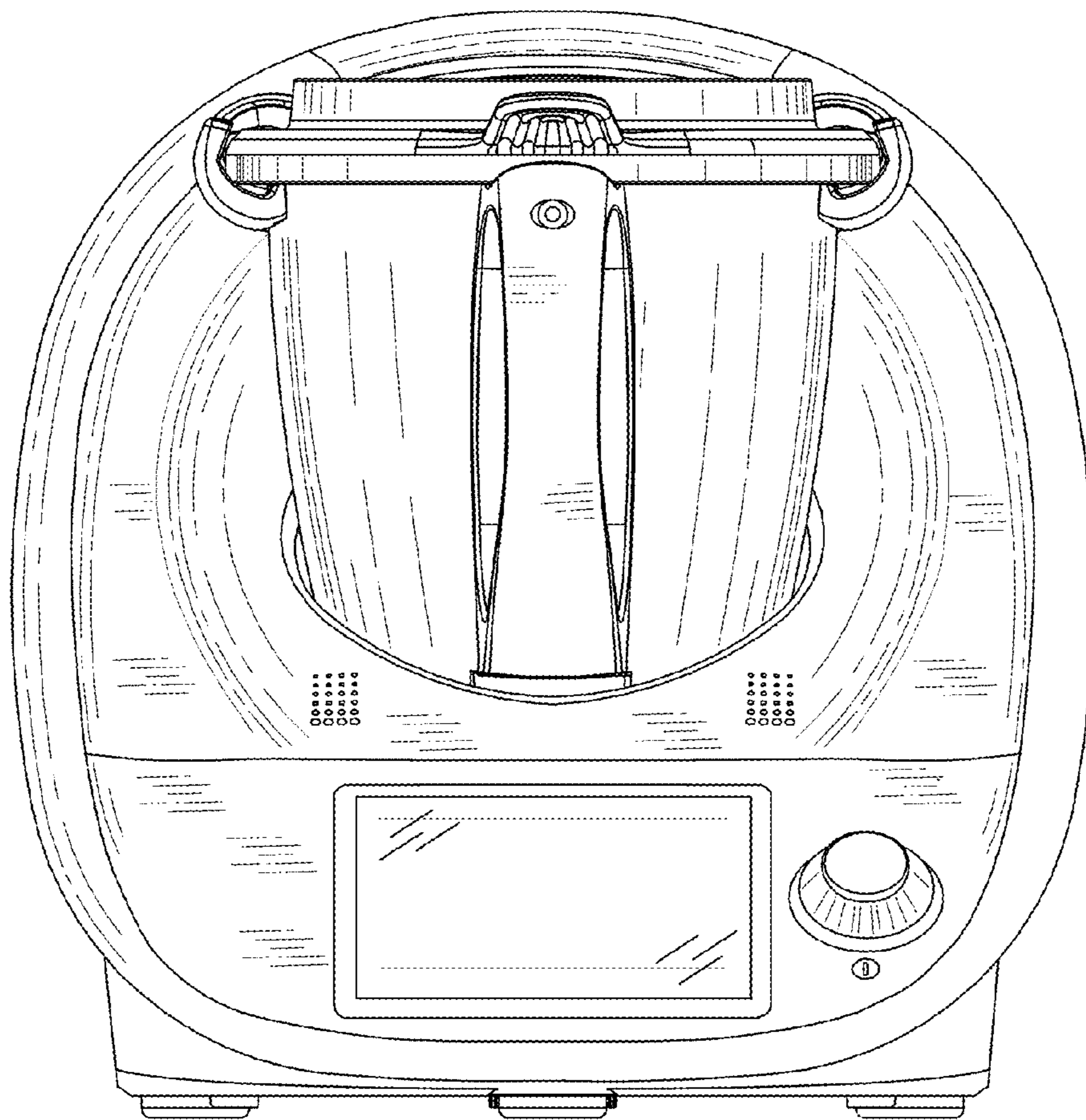


Fig. 23

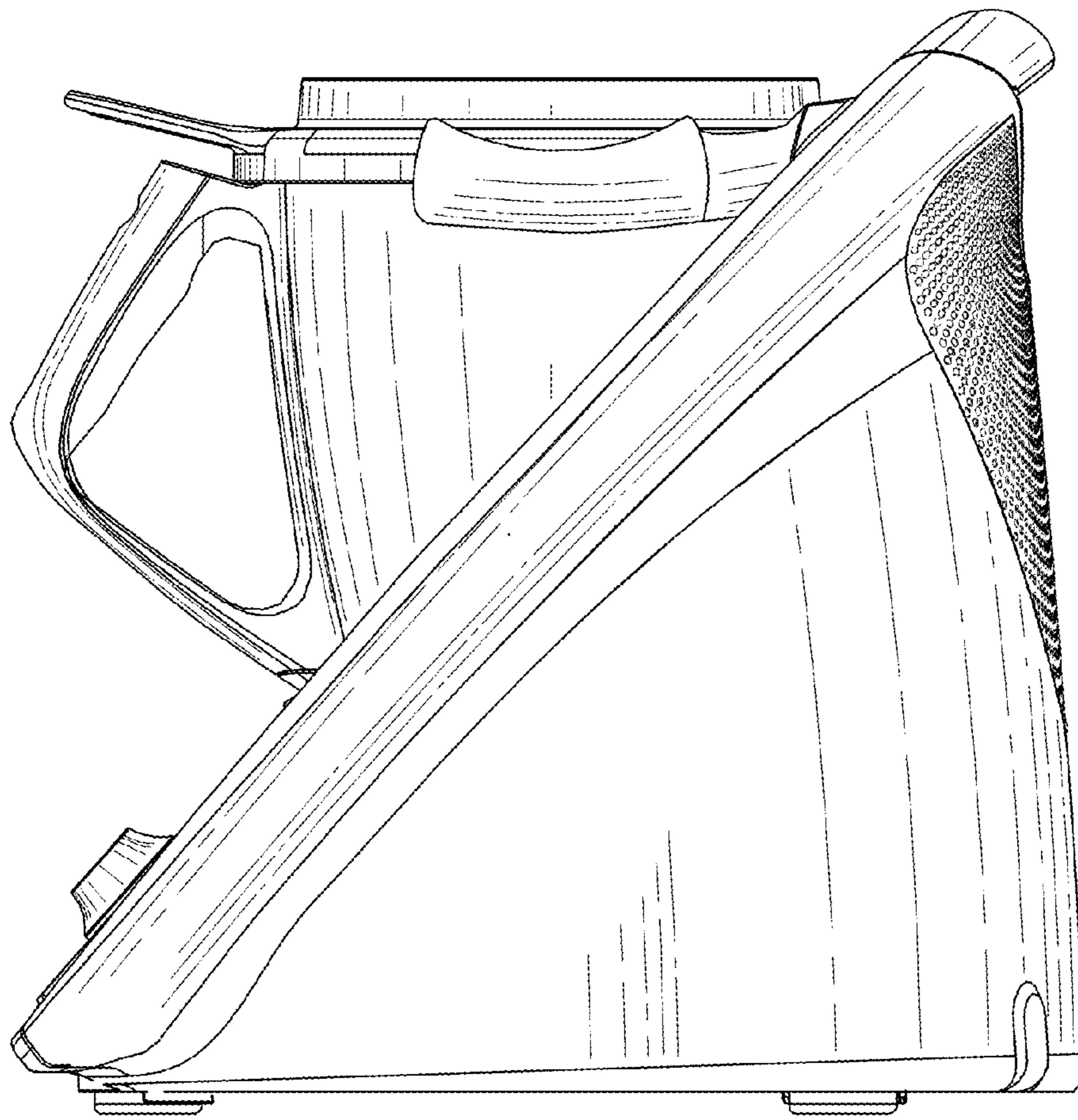


Fig. 24

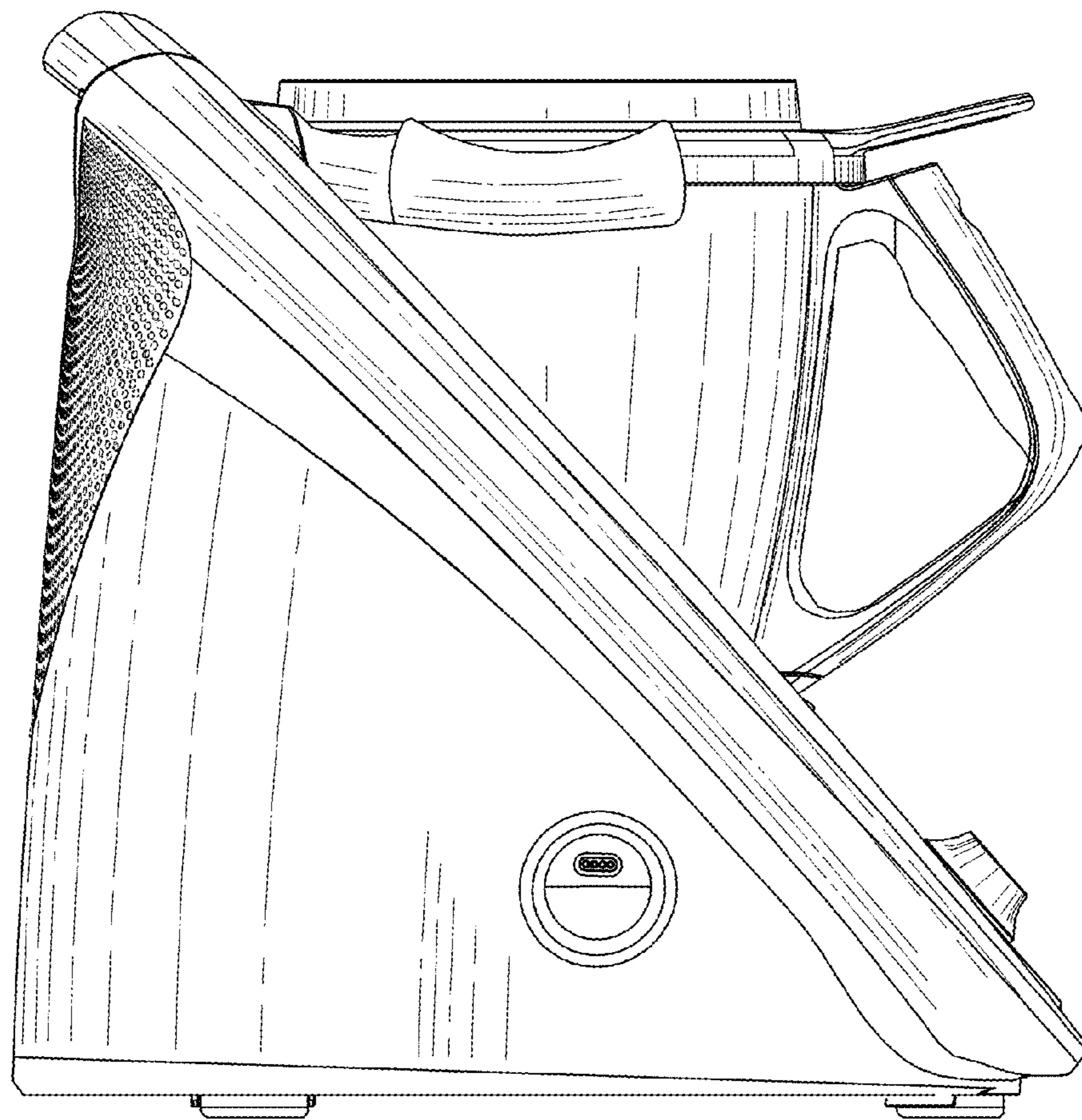


Fig. 25

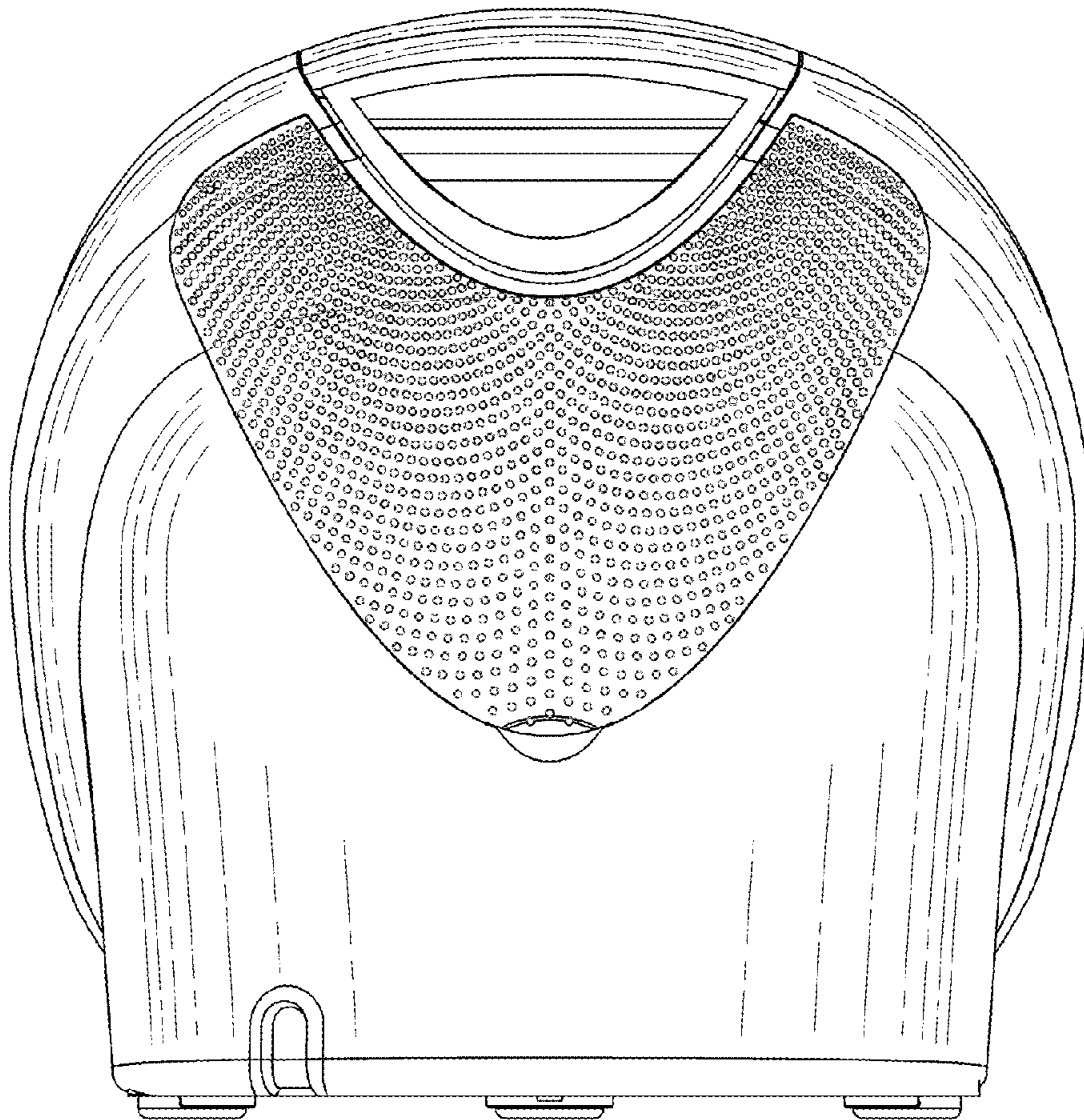


Fig. 26

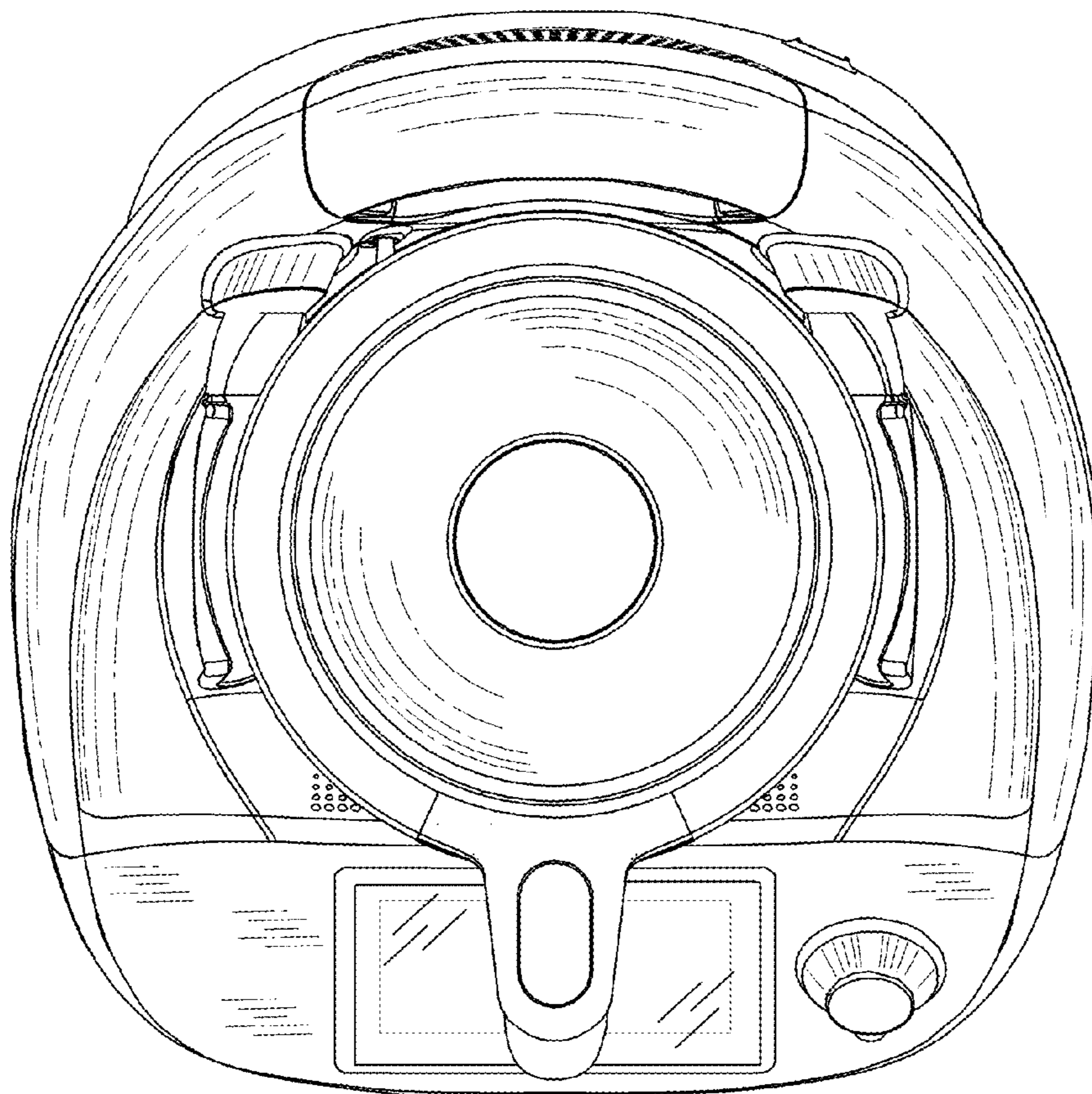


Fig. 27

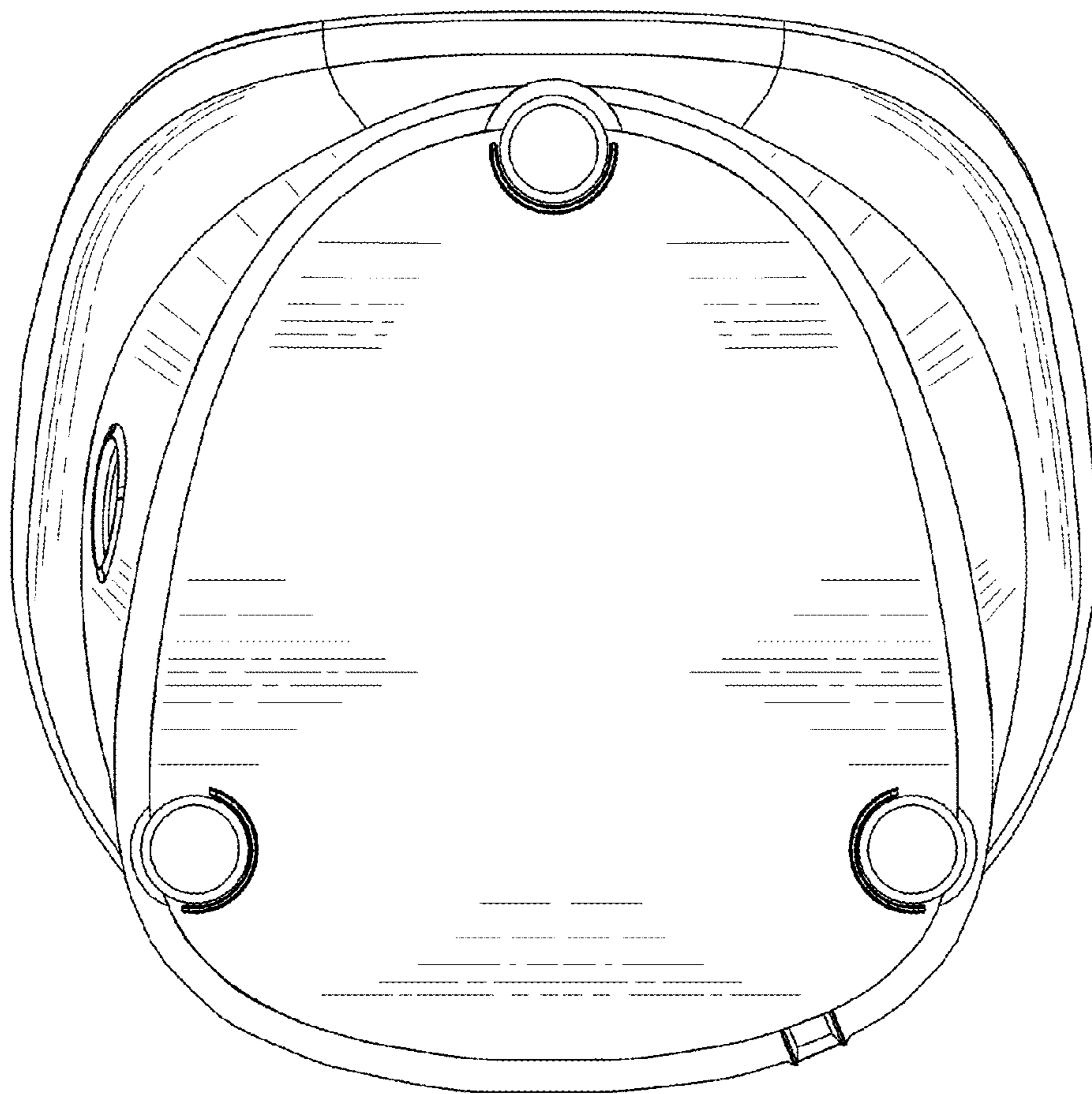


Fig. 28

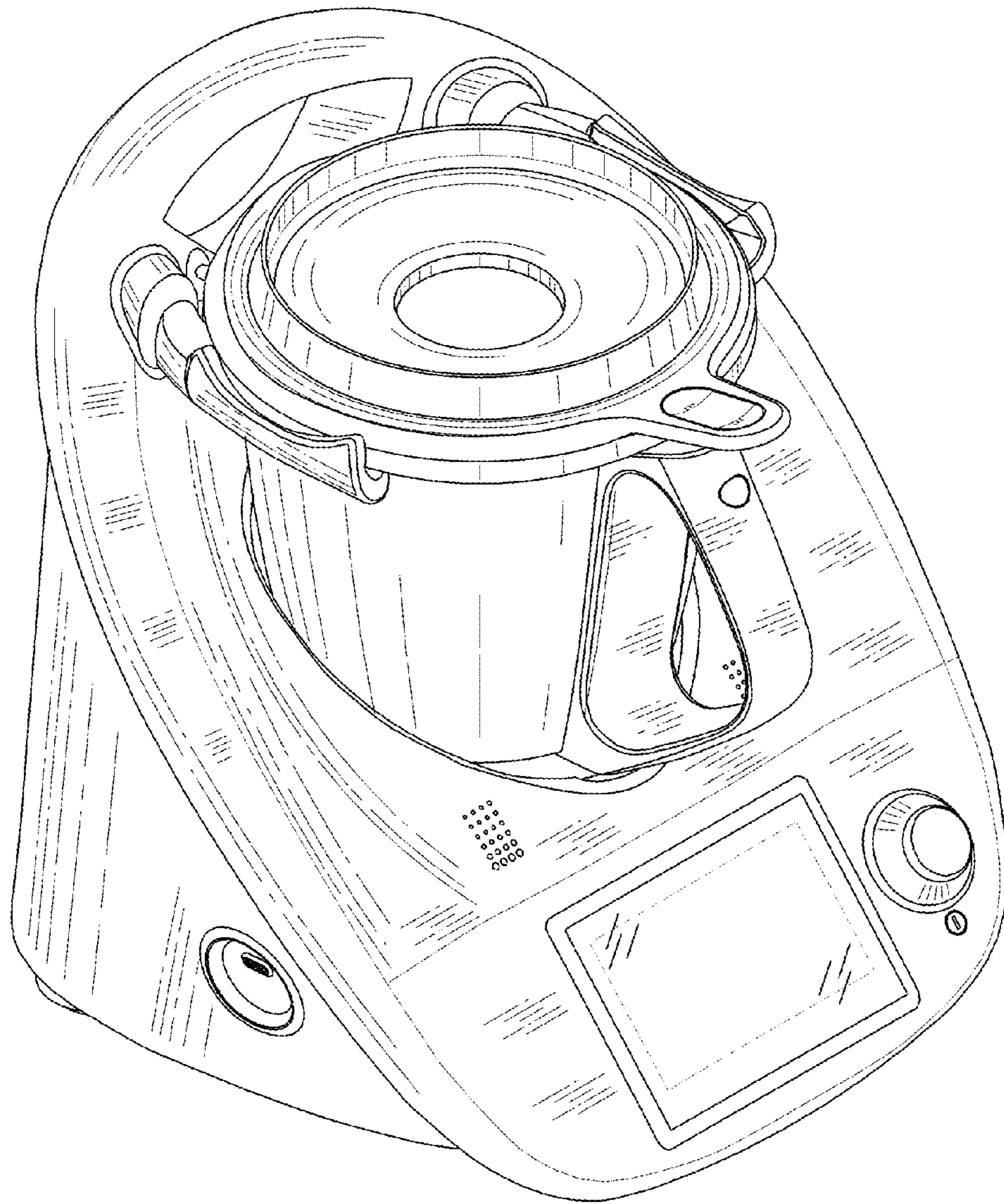


Fig. 29

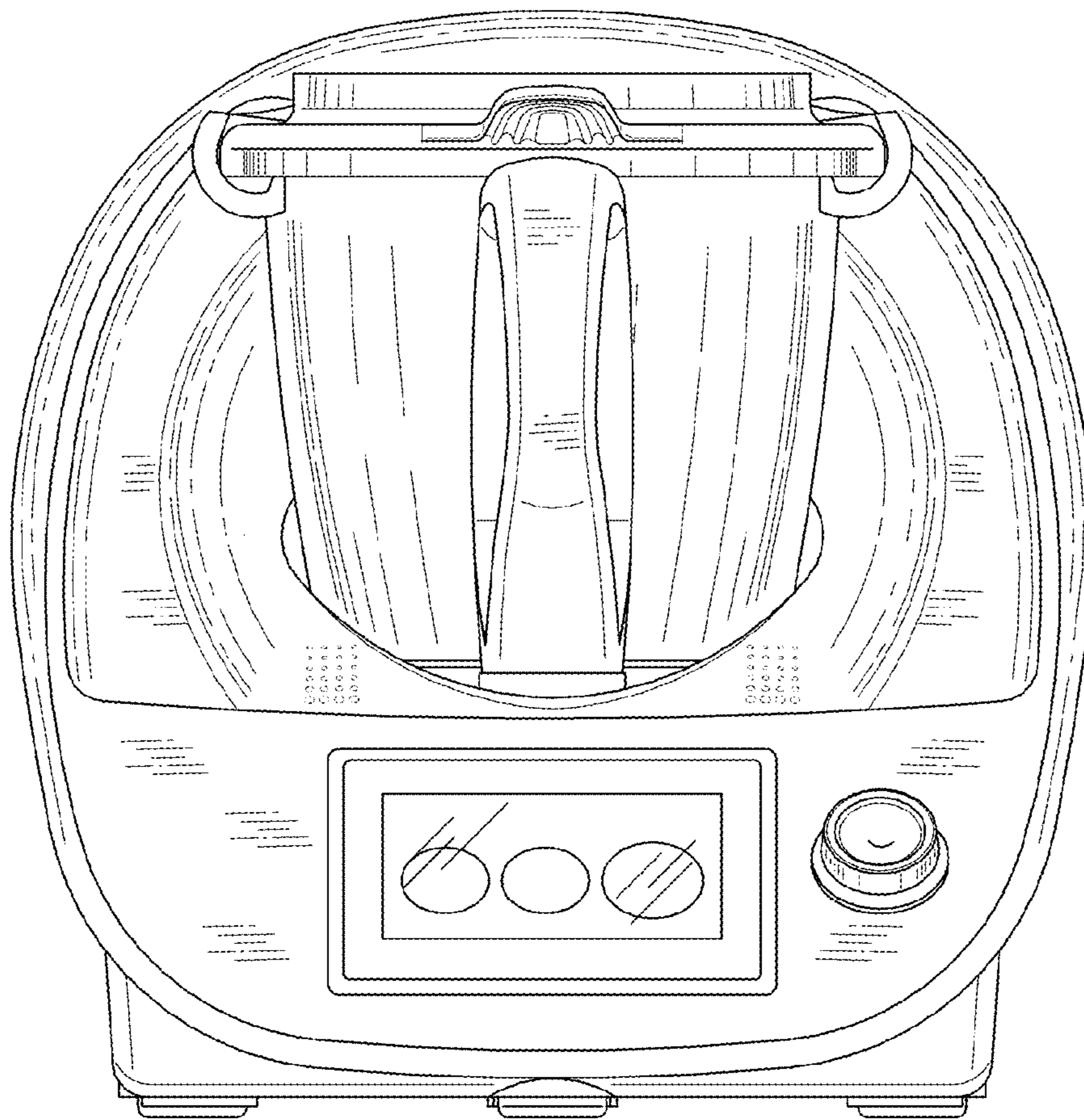


Fig. 30

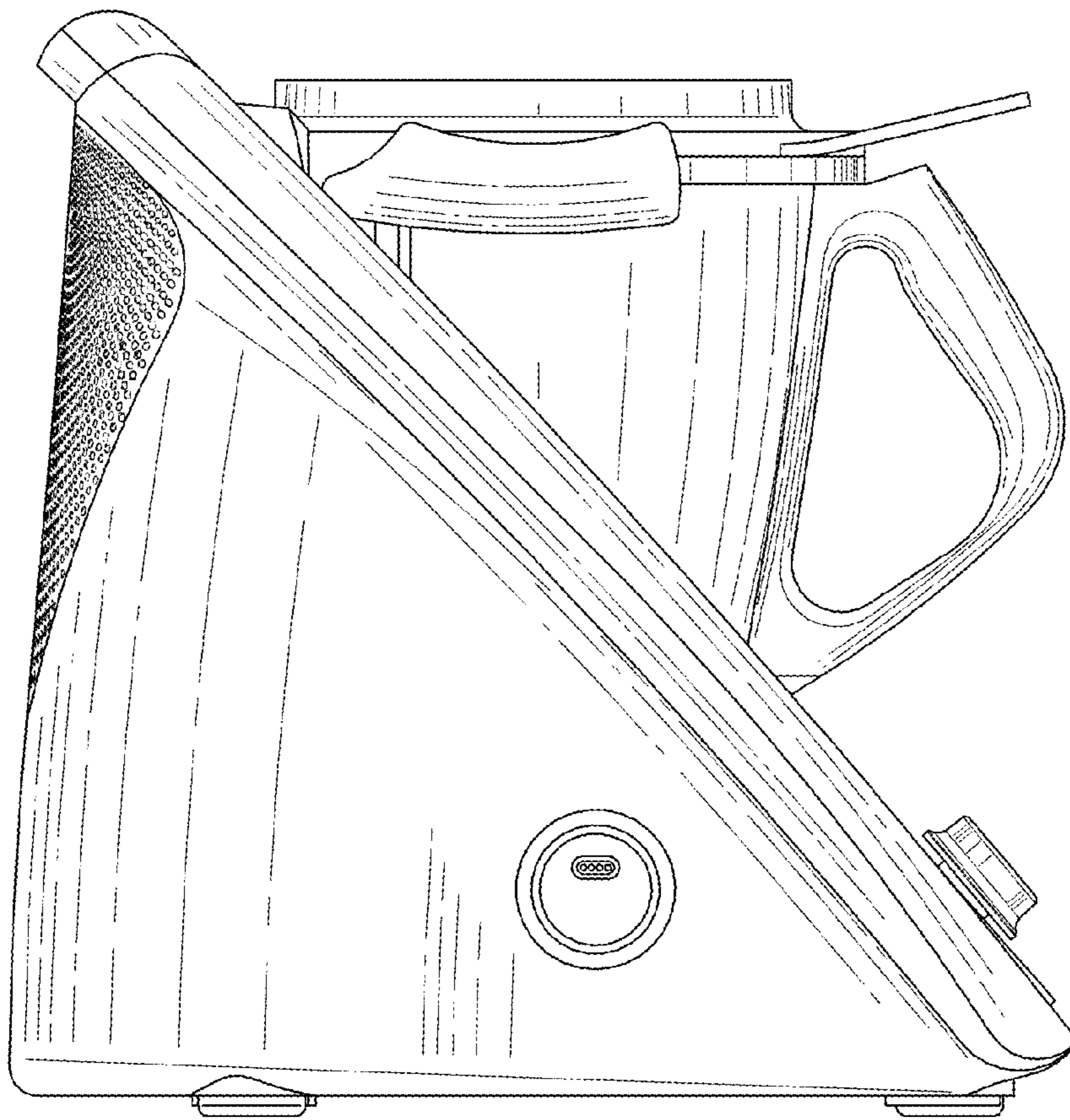


Fig. 31

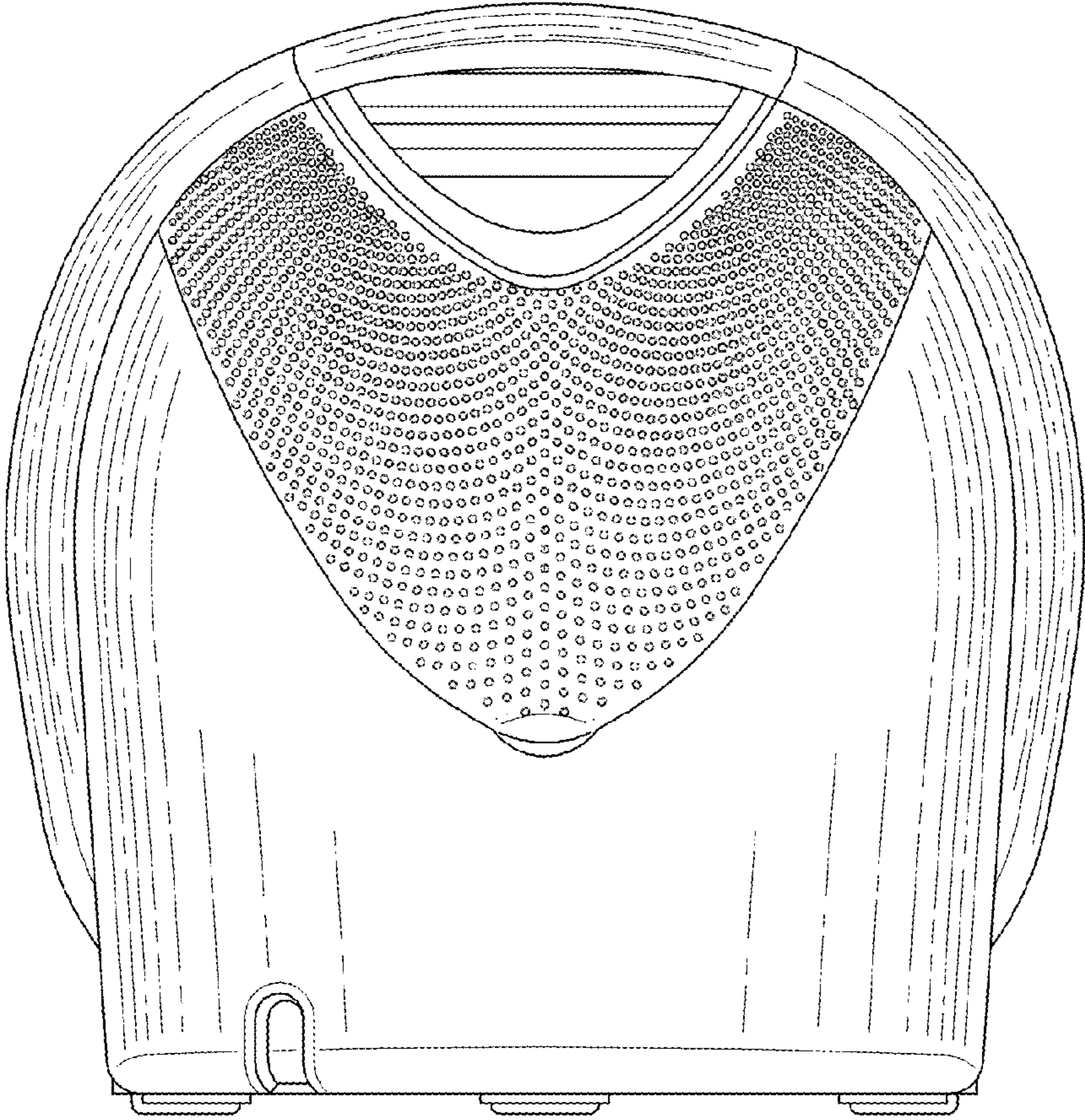


Fig. 32

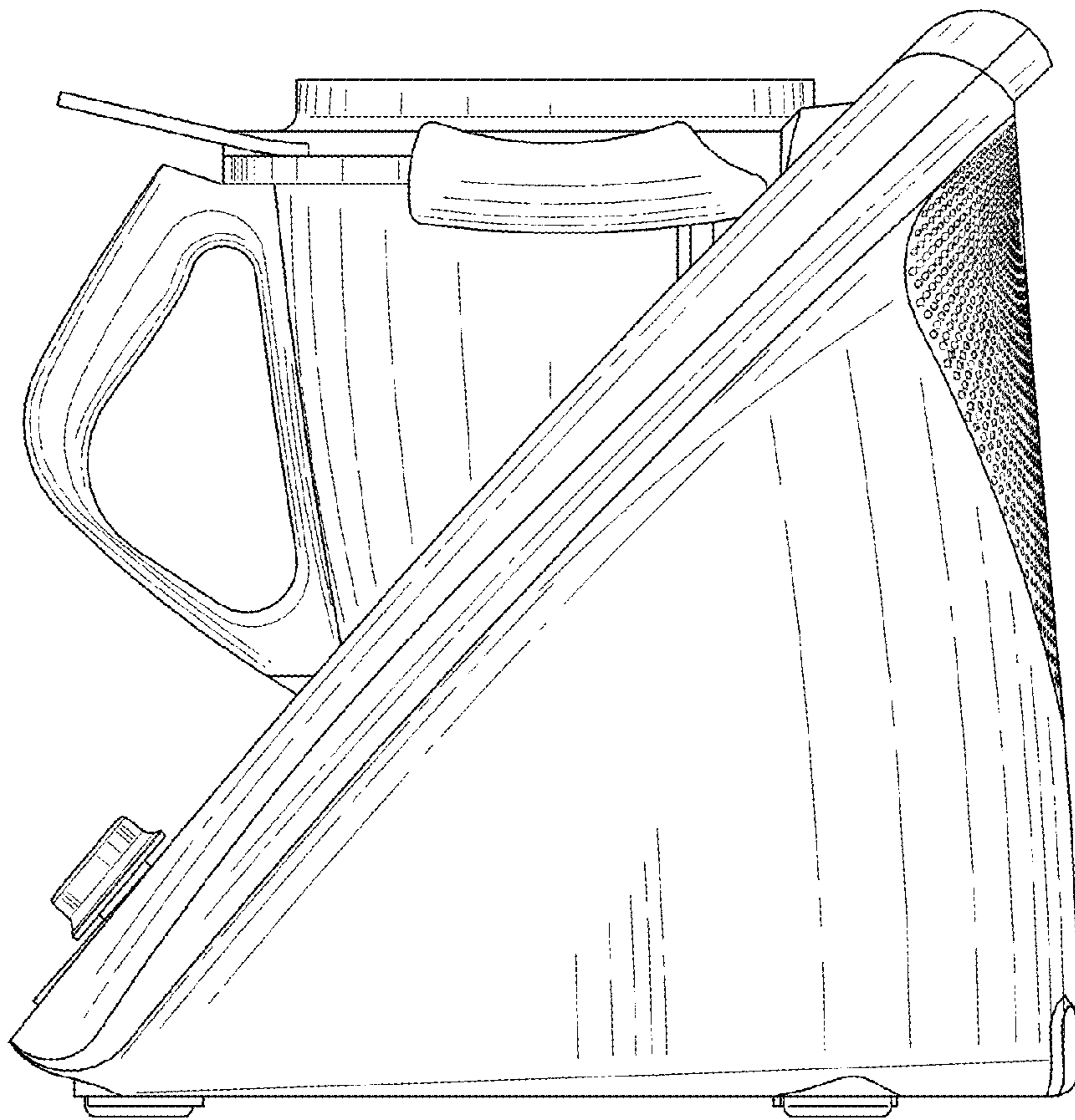


Fig. 33

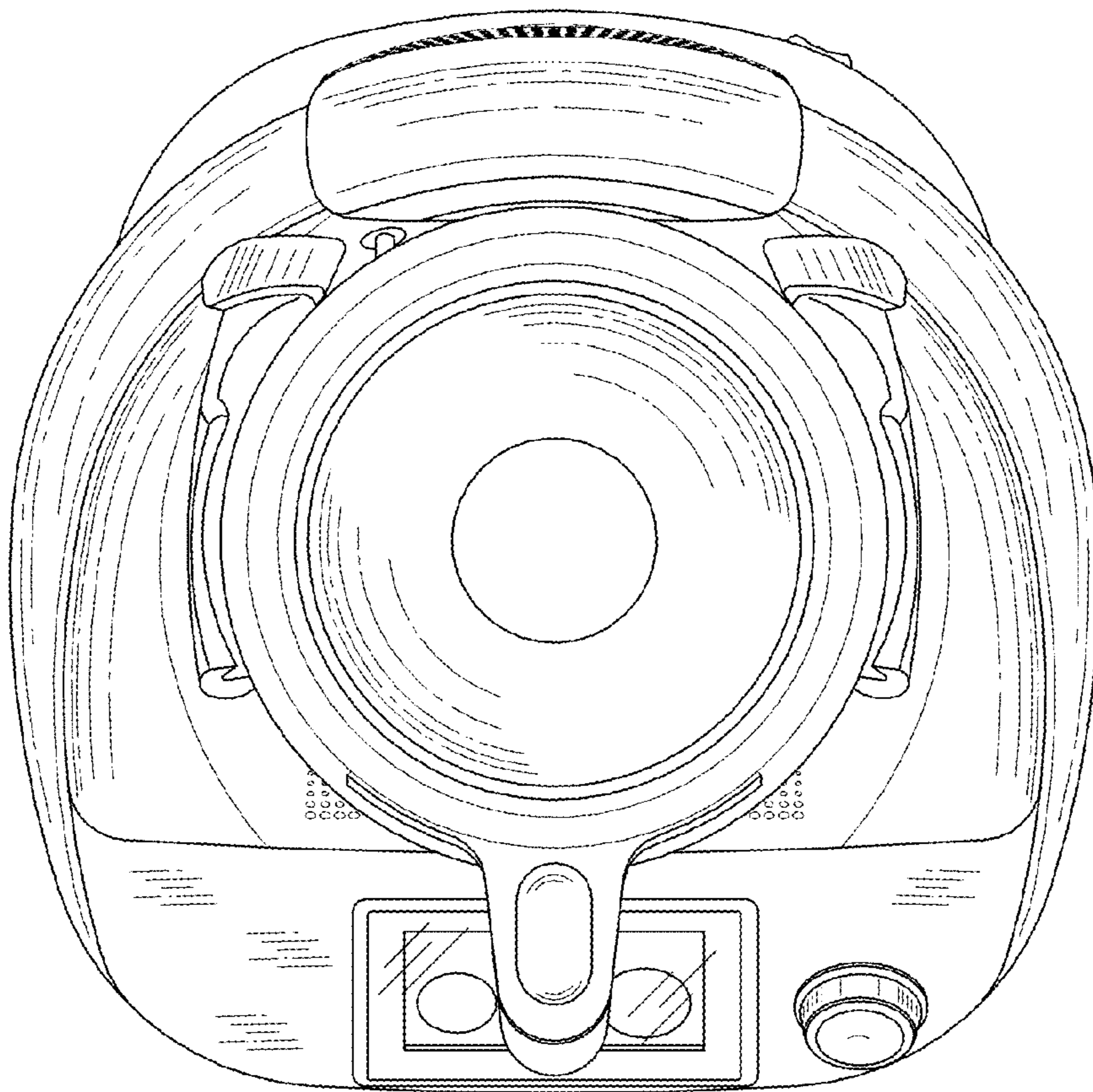


Fig. 34

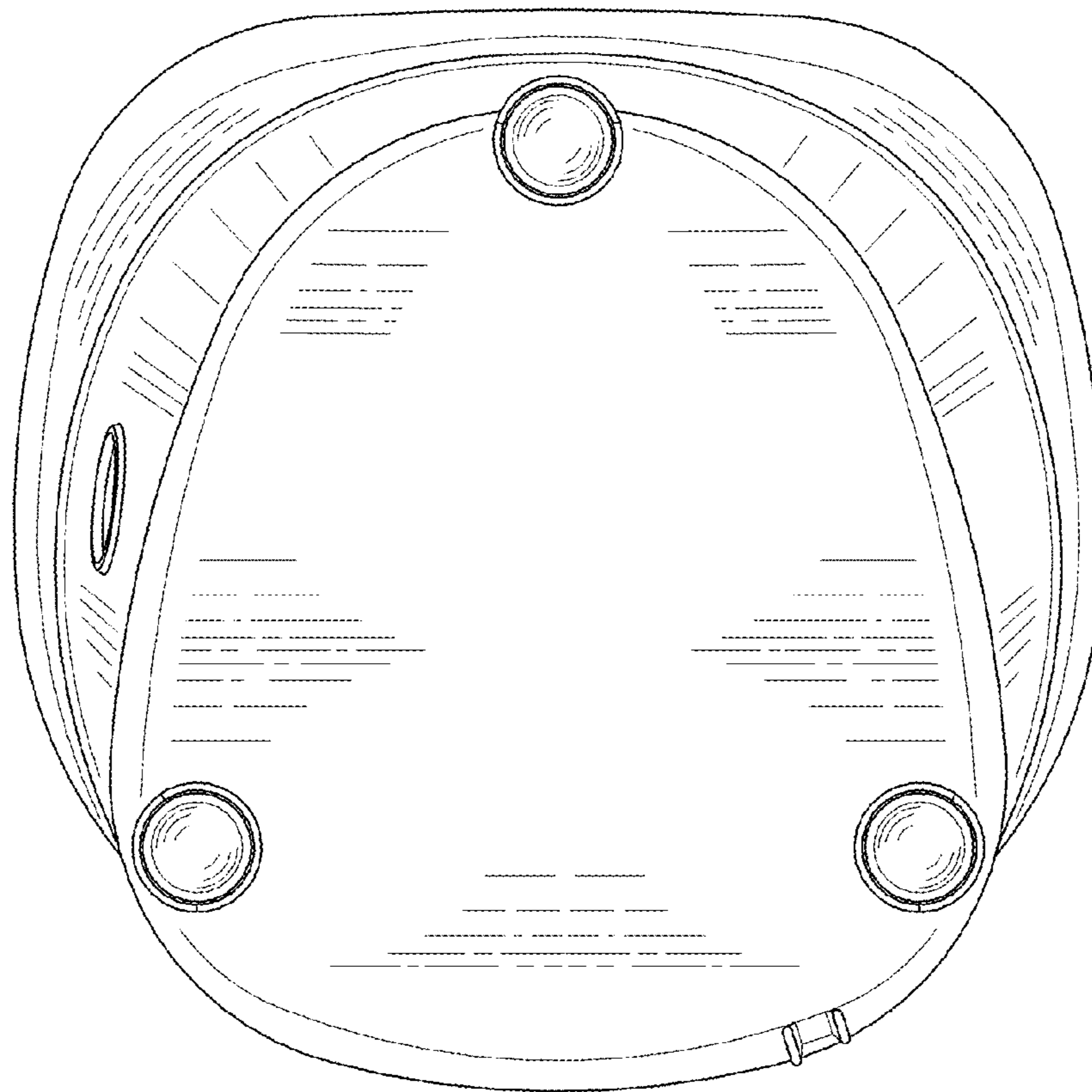


Fig. 35

