



US00D751856S

(12) **United States Design Patent**  
**Williams**

(10) **Patent No.:** **US D751,856 S**  
(45) **Date of Patent:** **\*\* Mar. 22, 2016**

- (54) **KITCHEN UTENSIL DEVICE**
- (71) Applicant: **Myron D Williams**, Douglasville, GA (US)
- (72) Inventor: **Myron D Williams**, Douglasville, GA (US)
- (\*\*) Term: **14 Years**
- (21) Appl. No.: **29/487,562**
- (22) Filed: **Apr. 10, 2014**
- (51) **LOC (10) Cl.** ..... **07-06**
- (52) **U.S. Cl.**  
USPC ..... **D7/368**
- (58) **Field of Classification Search**  
USPC ..... D7/368, 669, 199; 99/483; 211/78, 107;  
248/157, 158, 188.7, 206.2, 683, 688,  
248/127, 176.1, 431  
CPC ..... A23L 3/36; A23L 3/365; F16M 11/32;  
F16M 13/00; A47F 7/00; A47B 55/00;  
A47B 81/02; A47B 81/04  
See application file for complete search history.

6,386,379	B1	5/2002	Battaglia	
6,543,630	B2	4/2003	Hope	
6,854,609	B1	2/2005	Hettinger	
8,240,488	B2 *	8/2012	Huang	..... B05B 13/0292 211/107
2006/0243685	A1	11/2006	Monroig	
2008/0173600	A1	7/2008	Mungal	
2010/0181458	A1	7/2010	Liu	
2010/0327130	A1 *	12/2010	Huang	..... B05B 13/0292 248/157
2014/0014603	A1 *	1/2014	Thompson	..... A47F 5/02 211/78

**OTHER PUBLICATIONS**

Non-Final Office Action dated Oct. 22, 2015, issued in U.S. Appl. No. 14/657,027 (13 pages).

\* cited by examiner

*Primary Examiner* — Terry Wallace  
(74) *Attorney, Agent, or Firm* — Westerman, Hattori, Daniels & Adrian, LLP

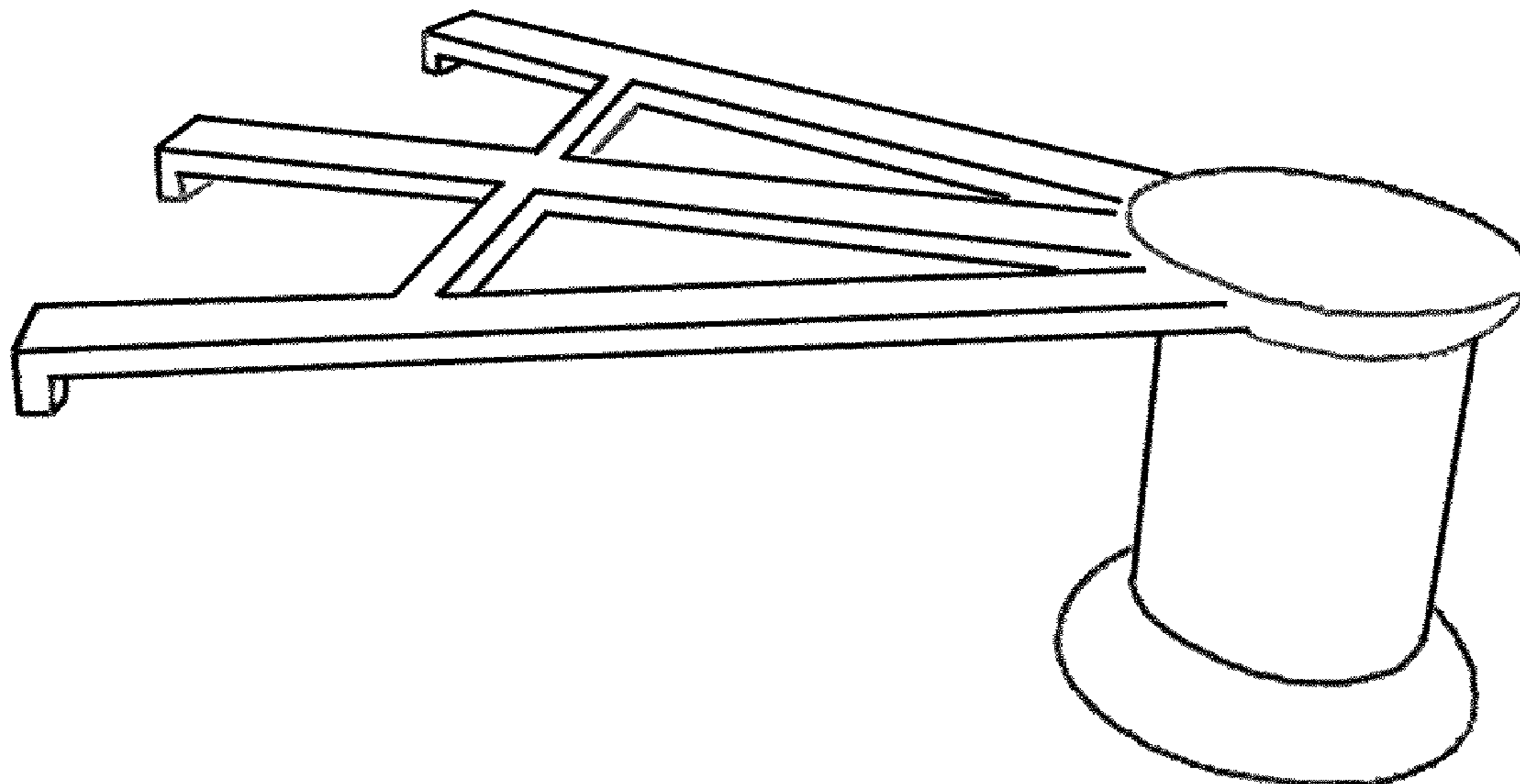
(57) **CLAIM**  
The ornamental design for a kitchen utensil device, as shown.

**DESCRIPTION**

FIG. 1 is a left side perspective view of a kitchen utensil device showing my new design.  
FIG. 2 is a right side perspective view thereof.  
FIG. 3 is a top, front perspective view thereof.  
FIG. 4 is a top plan view thereof.  
FIG. 5 is a rear perspective view thereof; and,  
FIG. 6 is a bottom, front perspective view thereof.

**1 Claim, 2 Drawing Sheets**

- (56) **References Cited**  
U.S. PATENT DOCUMENTS
- 3,310,180 A 3/1967 Neagle
- 3,827,571 A 8/1974 Koutny
- 5,248,047 A 9/1993 Randhawa
- 5,862,924 A 1/1999 Dumont
- 6,216,887 B1 4/2001 Soo
- 6,299,003 B1 10/2001 Osorio
- 6,330,948 B1 12/2001 Leto
- 6,364,130 B2 4/2002 Wright



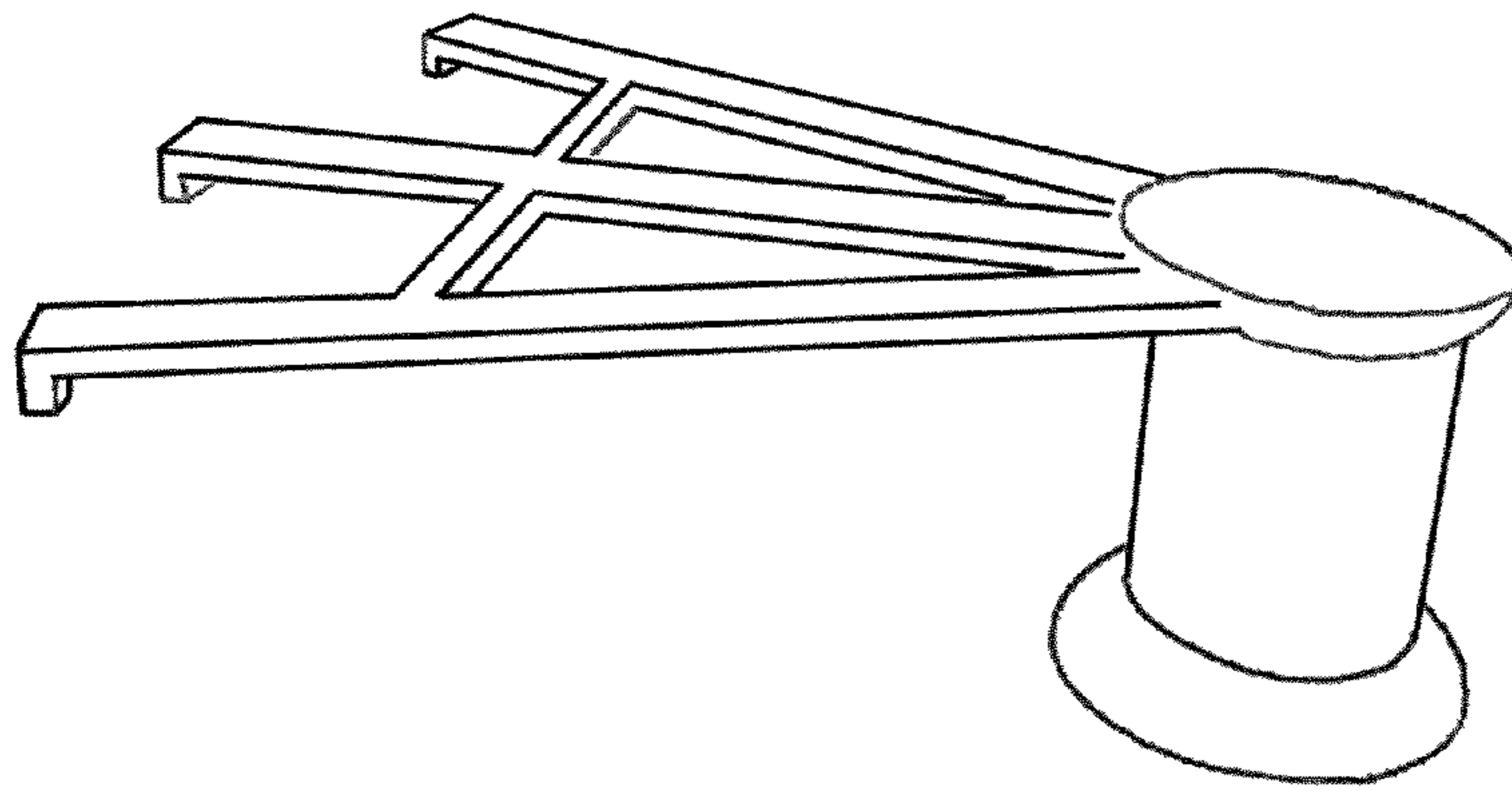


FIG. 1

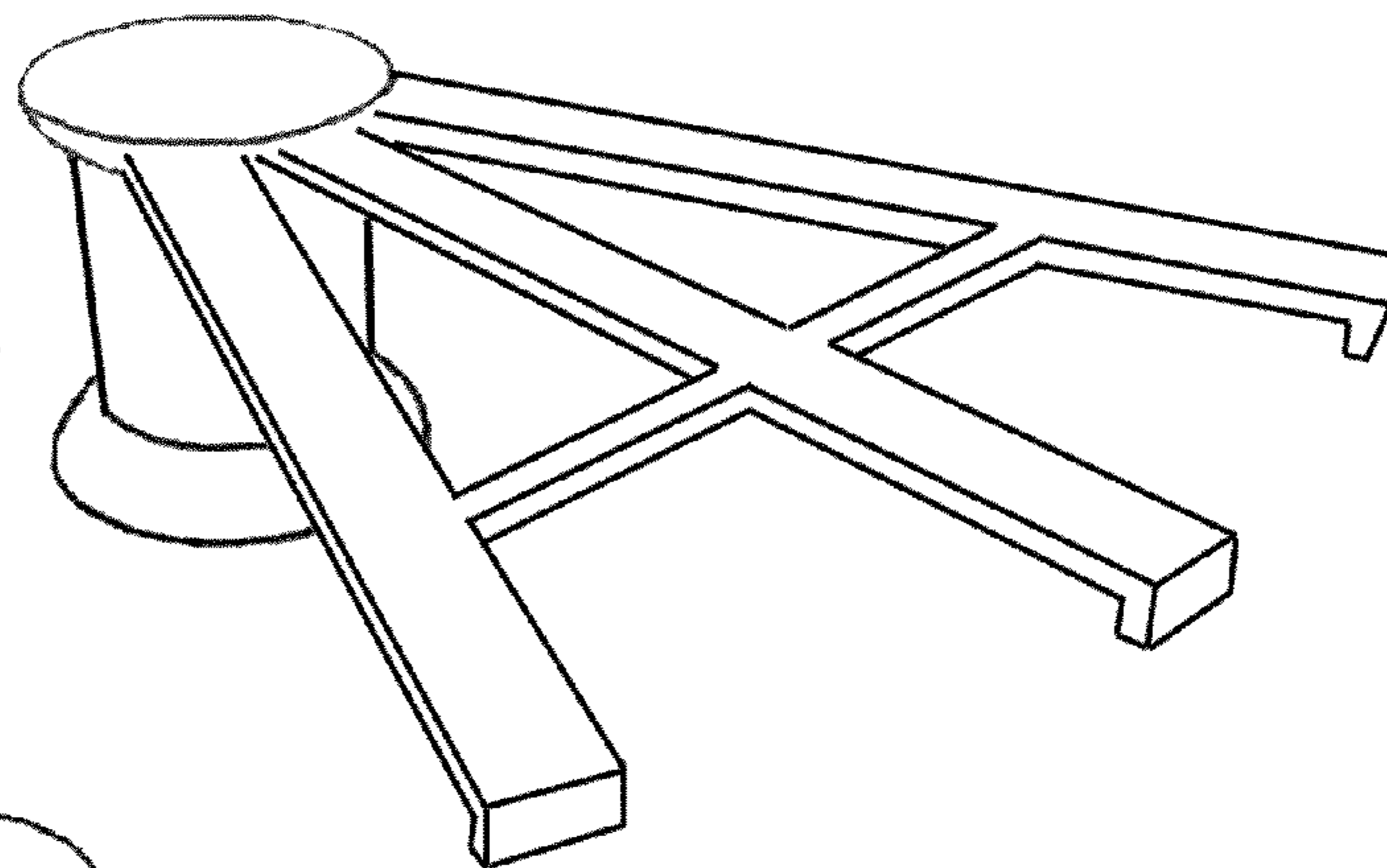


FIG. 2

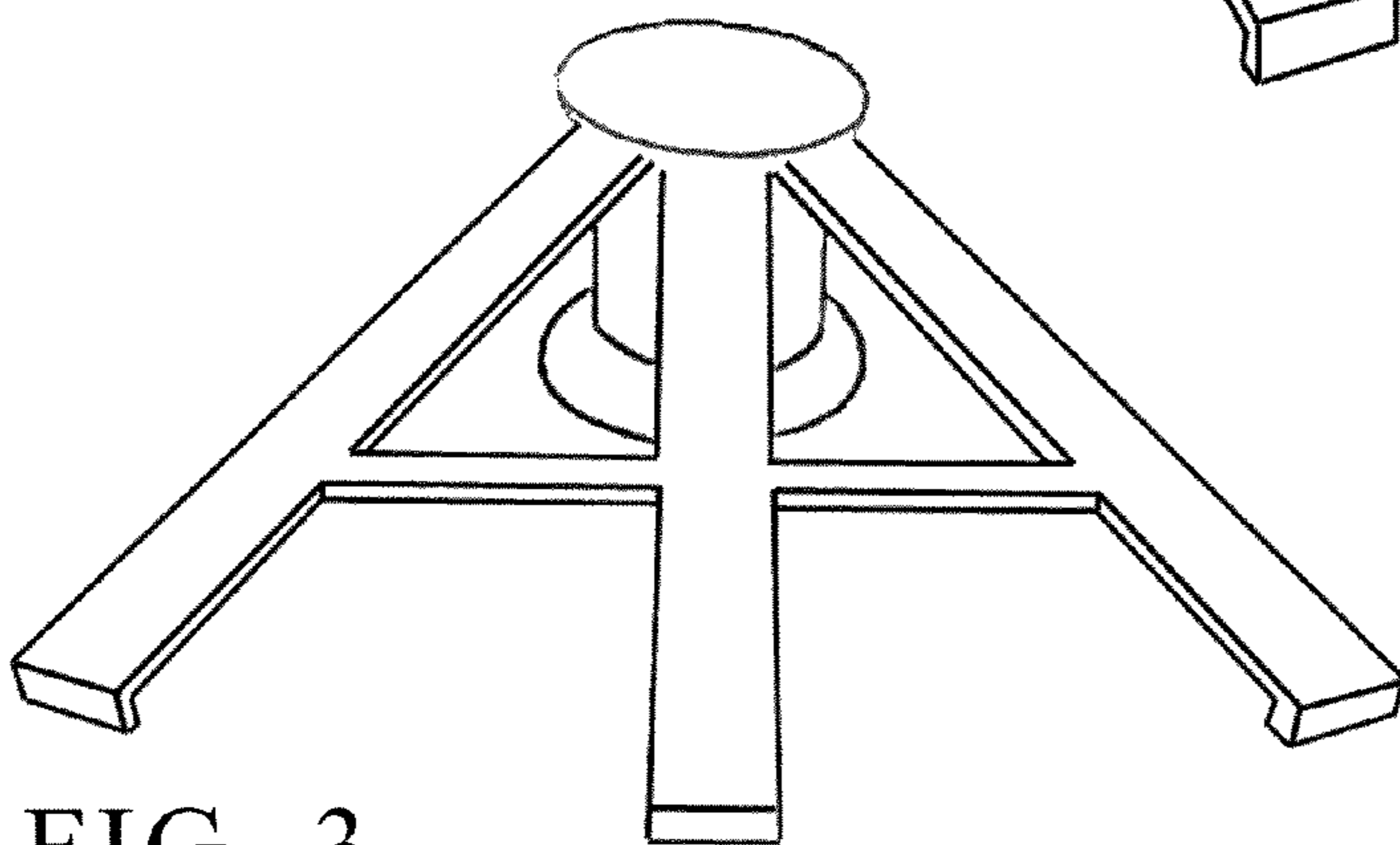


FIG. 3

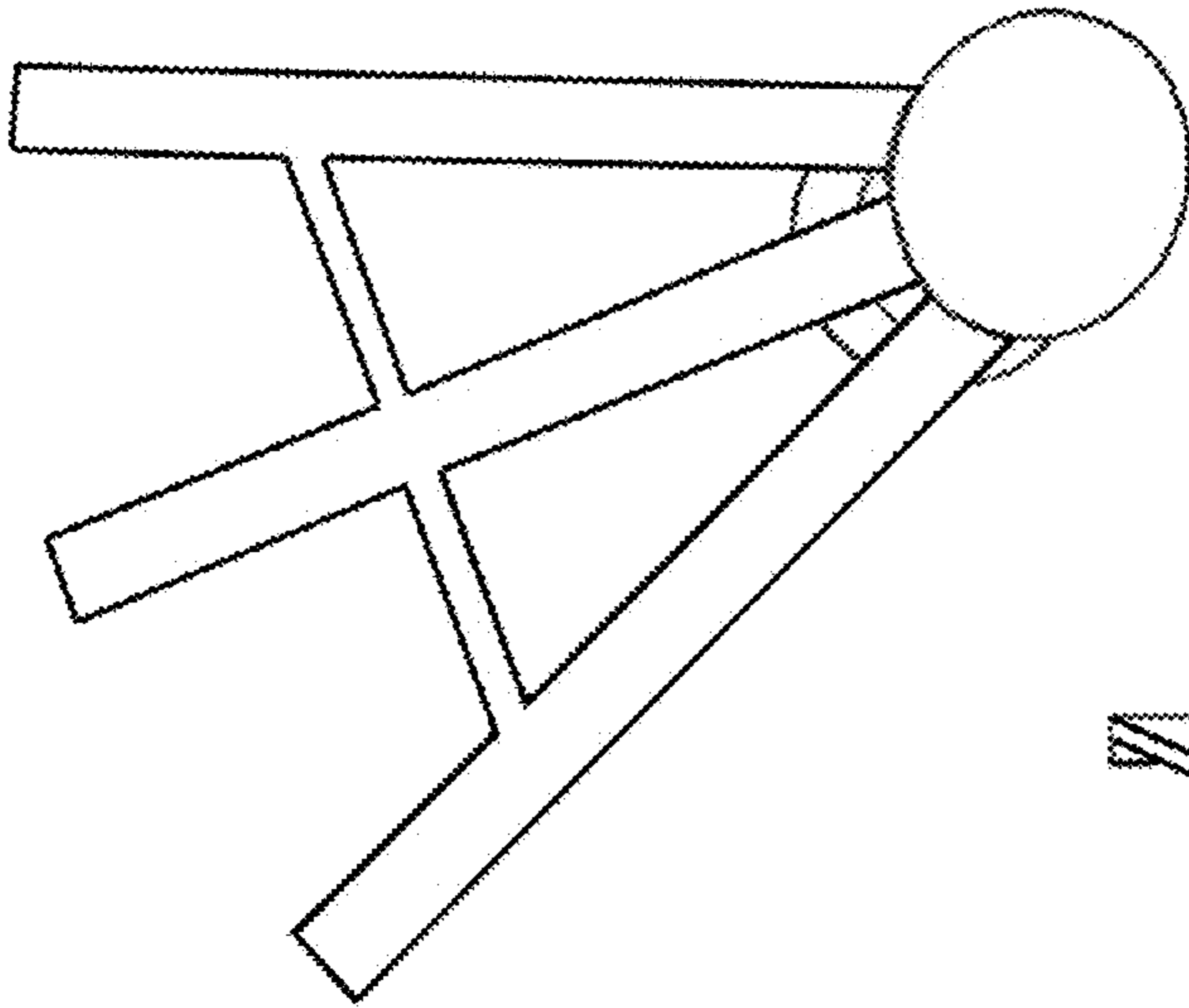


FIG. 4

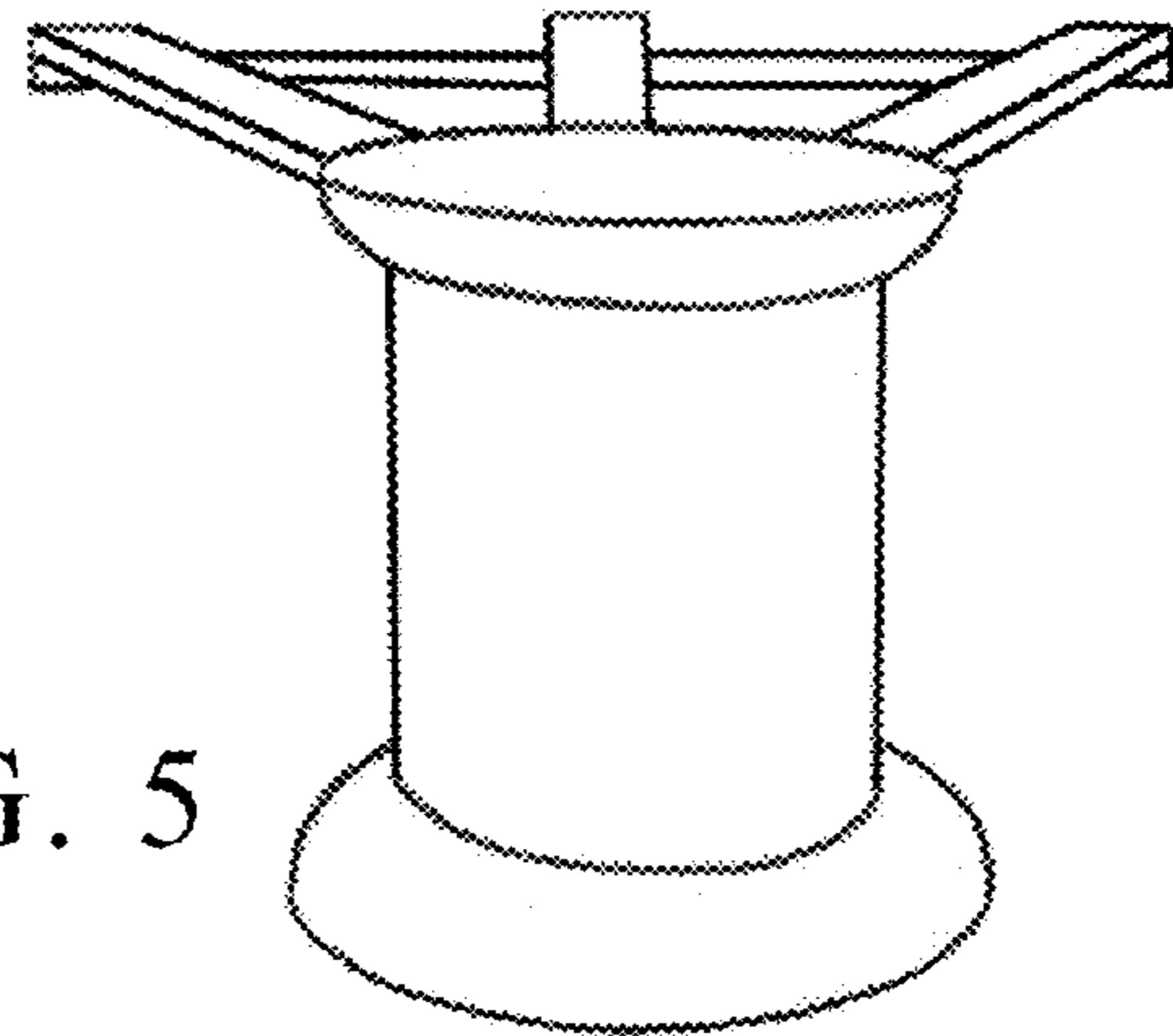


FIG. 5

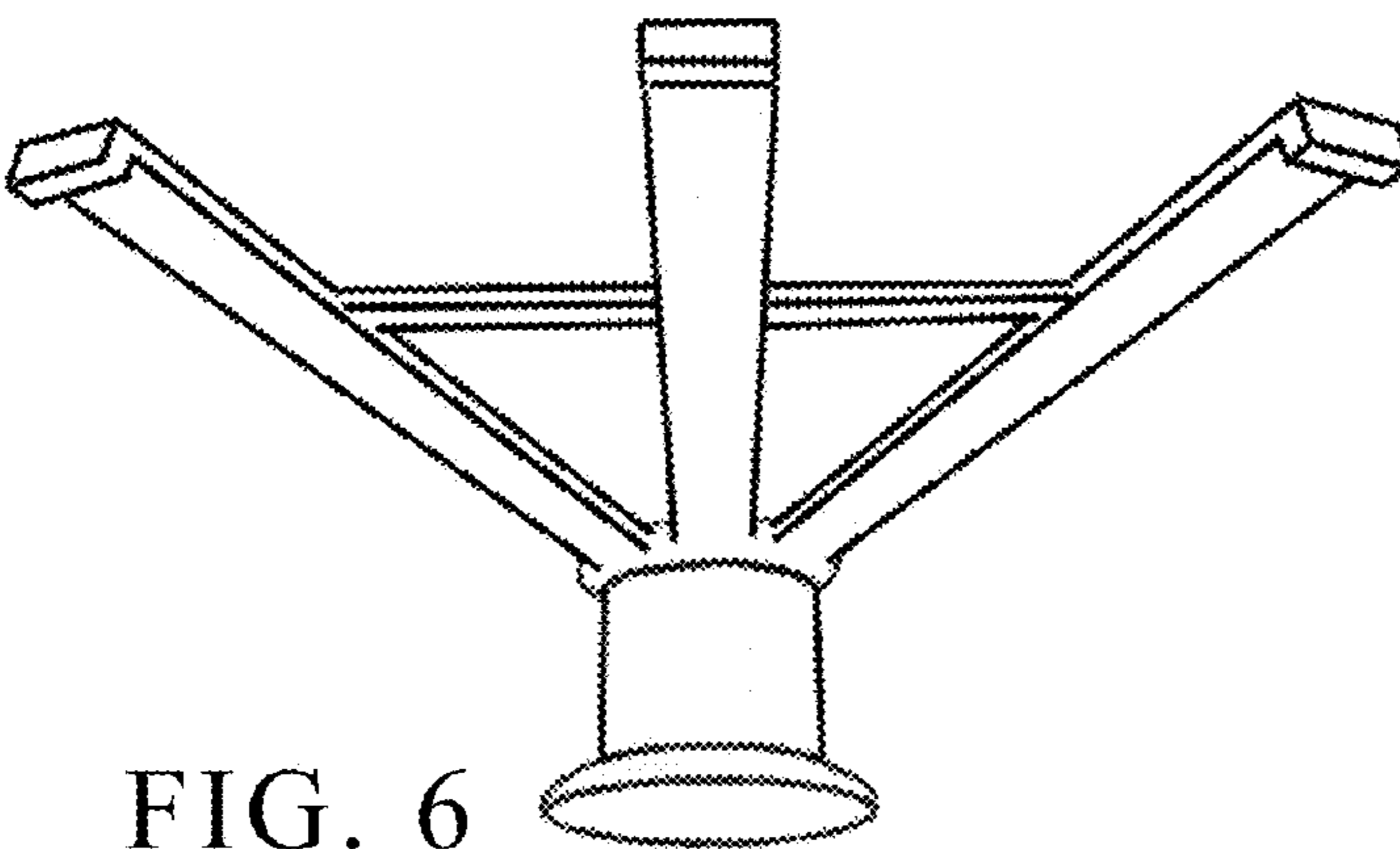


FIG. 6