



US00D751853S

(12) **United States Design Patent**
Hunt et al.

(10) **Patent No.:** **US D751,853 S**
(45) **Date of Patent:** **** Mar. 22, 2016**

(54) **VERTICAL GRILL**

- (71) Applicants: **Bonnie Lee Buzick**, Fresno, CA (US);
Robert James Bair, Fresno, CA (US)
- (72) Inventors: **Ronald Eugene Hunt**, Georgetown, TX (US); **Bonnie Lee Buzick**, Fresno, CA (US); **Robert James Bair**, Fresno, CA (US)
- (73) Assignees: **Bonnie Lee Buzick**, Fresno, CA (US);
Robert James Bair, Fresno, CA (US)
- (**) Term: **14 Years**

(21) Appl. No.: **29/499,727**

(22) Filed: **Aug. 18, 2014**

(51) **LOC (10) Cl.** **07-02**

(52) **U.S. Cl.**
USPC **D7/330**

(58) **Field of Classification Search**
USPC D7/323, 328-330, 390
CPC A21B 2/00; A47J 37/00; A47J 37/06;
A47J 37/0611; A47J 37/0629; A47J 37/08;
A47J 37/0807; A47J 37/0814; A47J 37/0835;
A47J 37/0842; A47J 37/085; A47J 37/0857;
A47J 37/0864; A47J 37/0878; A47J 37/0885;
A47J 37/0892; F24C 15/10; F24C 15/102

See application file for complete search history.

(56) **References Cited**

U.S. PATENT DOCUMENTS

3,452,670	A *	7/1969	Huck	A47J 37/0814 219/546
D226,242	S *	1/1973	Weiss	D7/330
D258,926	S *	4/1981	Hentschel	D7/330
4,345,515	A *	8/1982	Holt	A47J 37/0857 74/89.37
D297,391	S *	8/1988	Ansel	D7/330
D315,273	S *	3/1991	Myerly	D7/330
D326,028	S *	5/1992	Balandier	D7/328
D329,161	S *	9/1992	Eisenberg	D7/328
D347,545	S *	6/1994	Hoare	D7/330
6,019,030	A *	2/2000	Kettman	A47J 37/0857 198/849
D469,297	S *	1/2003	Bouhuys	D7/330
D584,917	S *	1/2009	Mullen	D7/390
8,997,635	B2 *	4/2015	Buzick	A47J 37/0629 99/389

* cited by examiner

Primary Examiner — Ricky Pham

(74) *Attorney, Agent, or Firm* — Michael D. Eisenberg

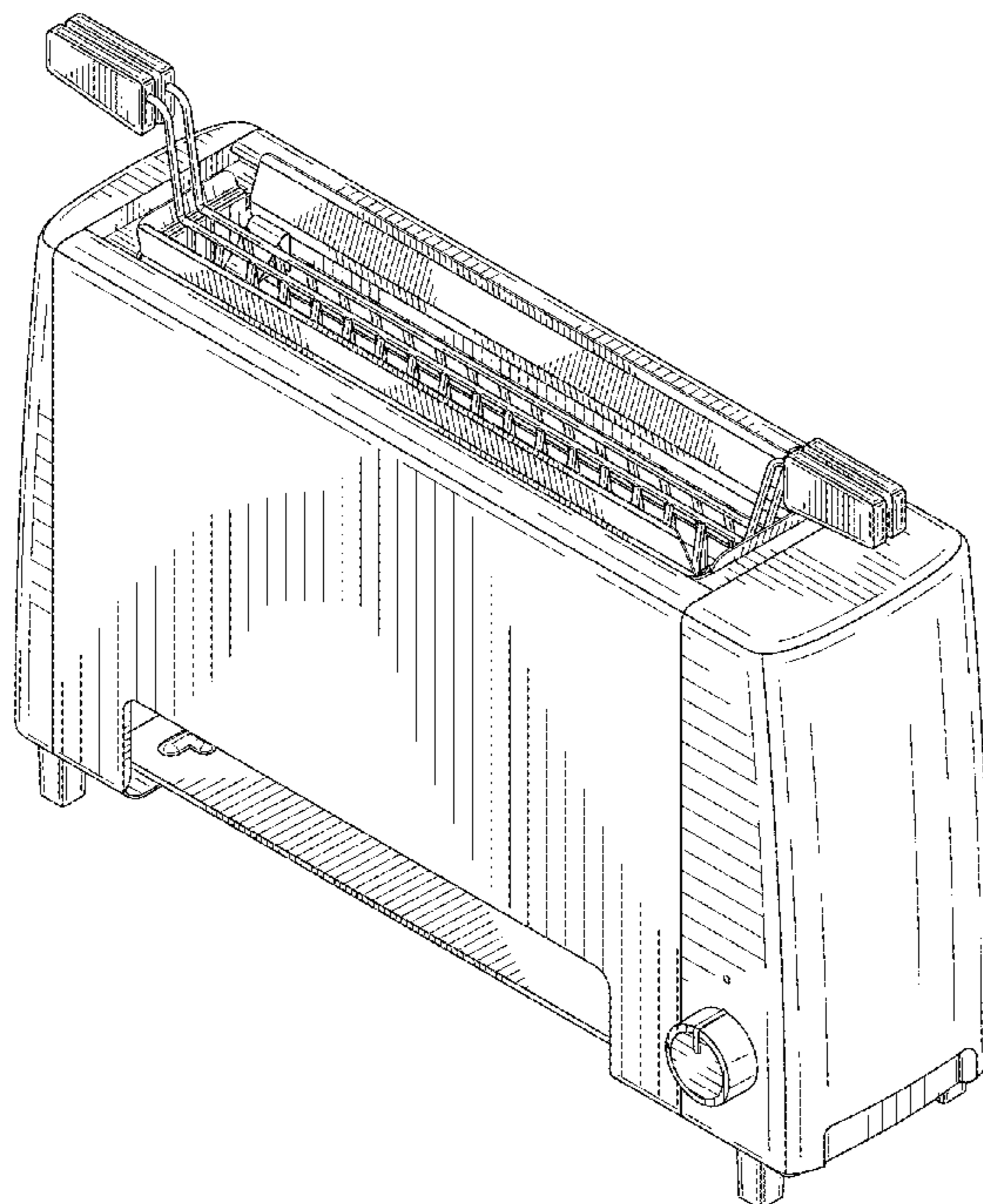
(57) **CLAIM**

The ornamental design for a vertical grill, as shown and described.

DESCRIPTION

FIG. 1 is a perspective view of a vertical grill showing the new design;
FIG. 2 is a top view of the vertical grill;
FIG. 3 is a front side view of the vertical grill;
FIG. 4 is a right side view of the vertical grill;
FIG. 5 is a left side view of the vertical grill;
FIG. 6 is a rear view of the vertical grill; and,
FIG. 7 is a bottom view of the vertical grill.

1 Claim, 4 Drawing Sheets



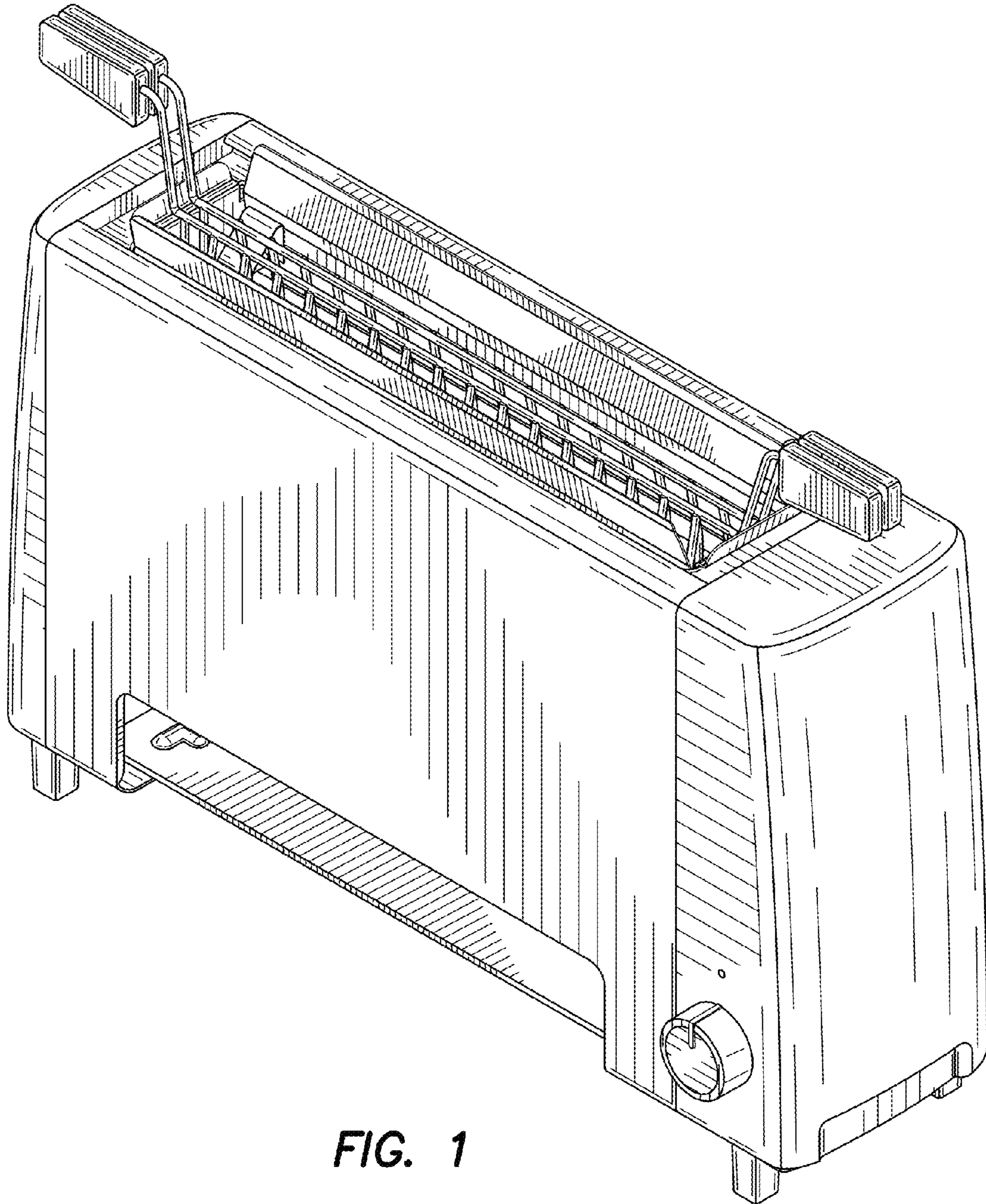


FIG. 1

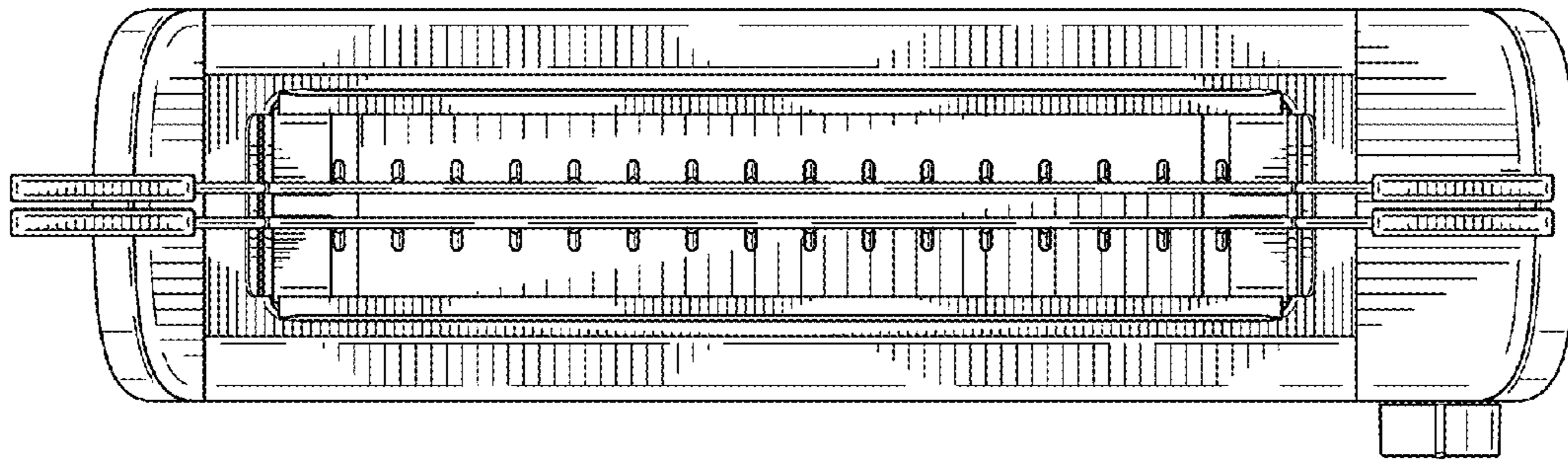


FIG. 2

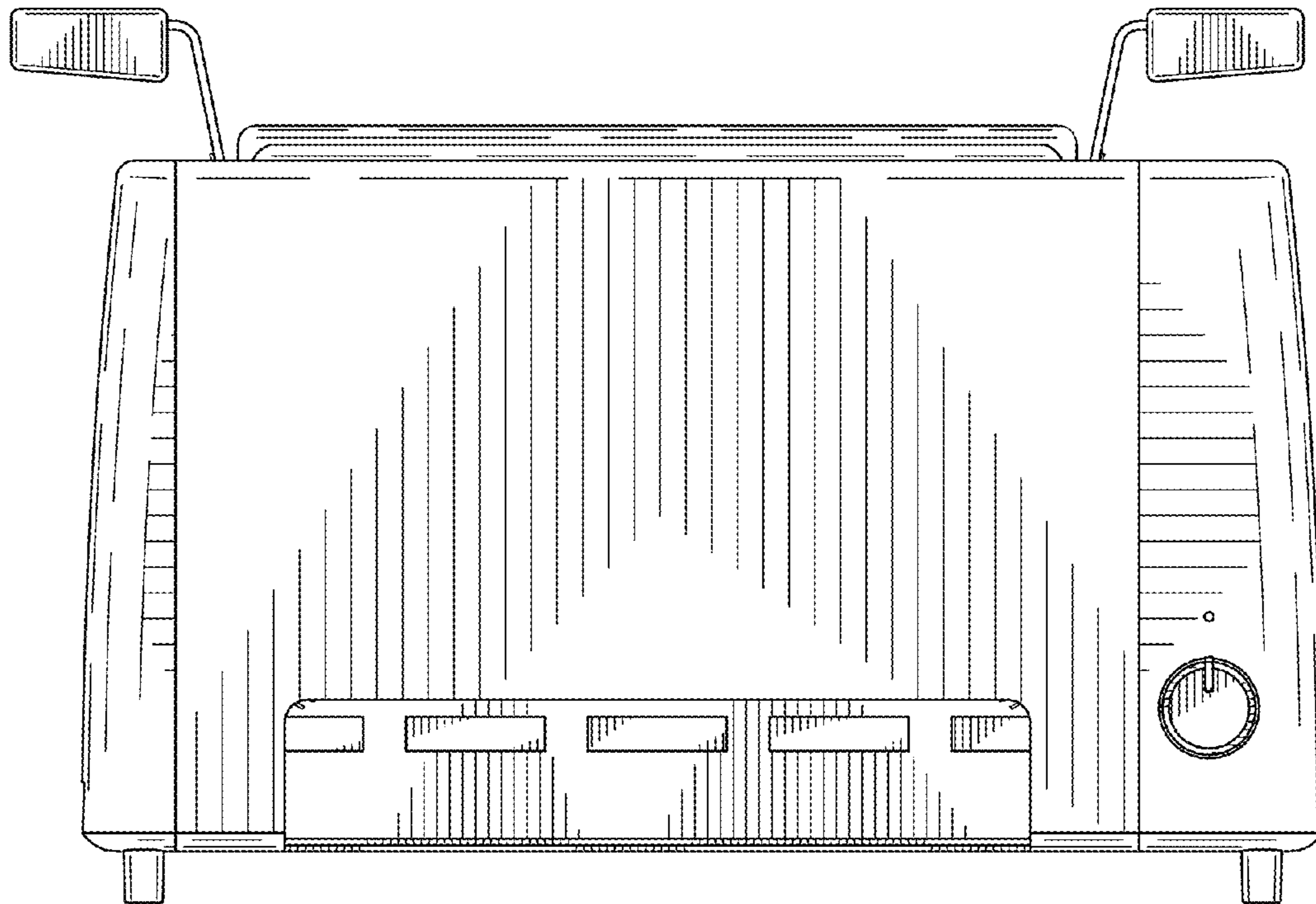


FIG. 3

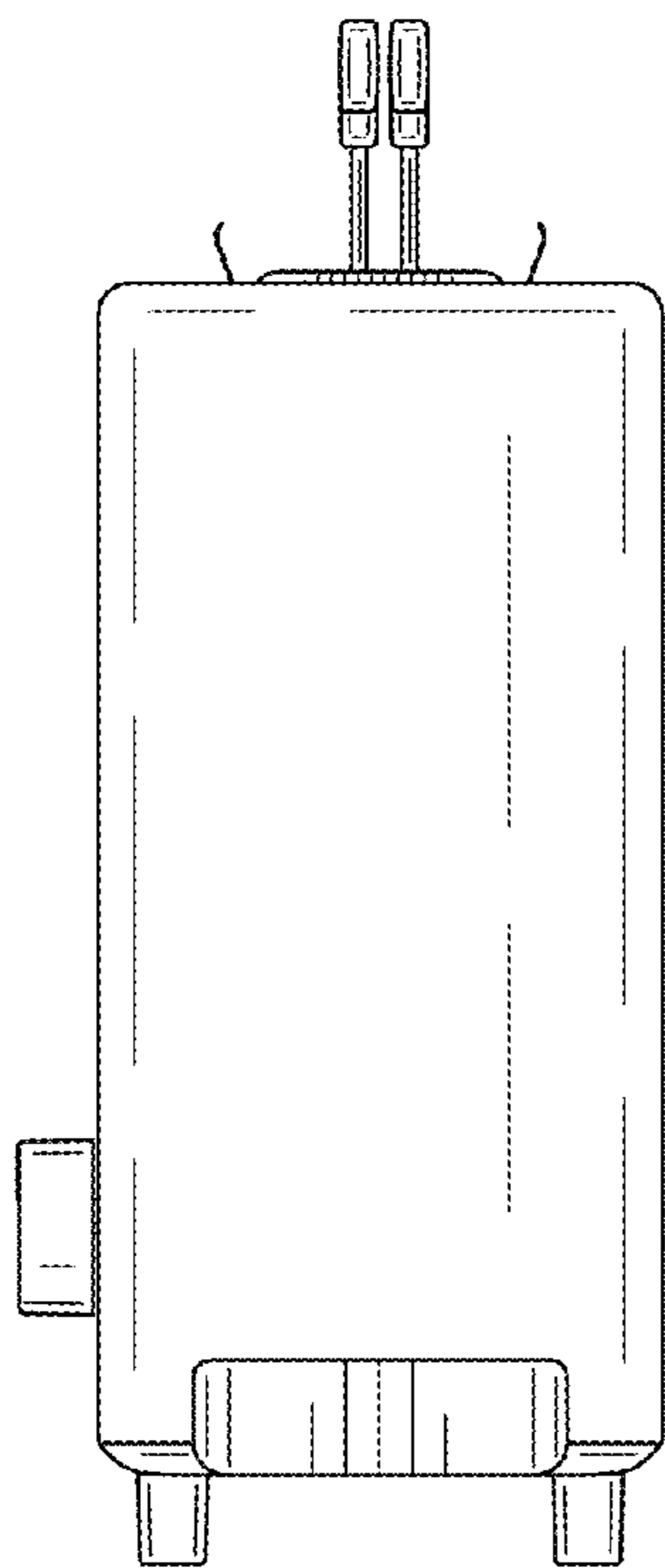


FIG. 4

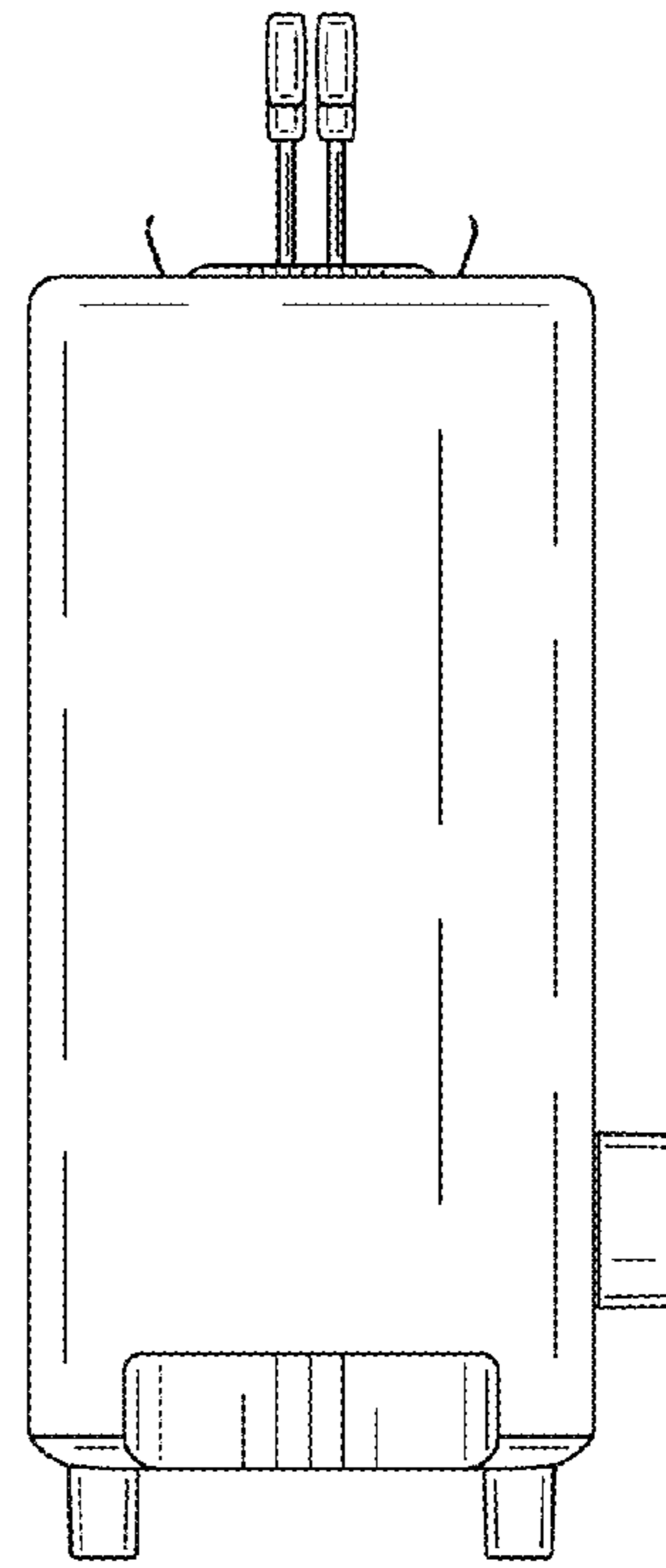


FIG. 5

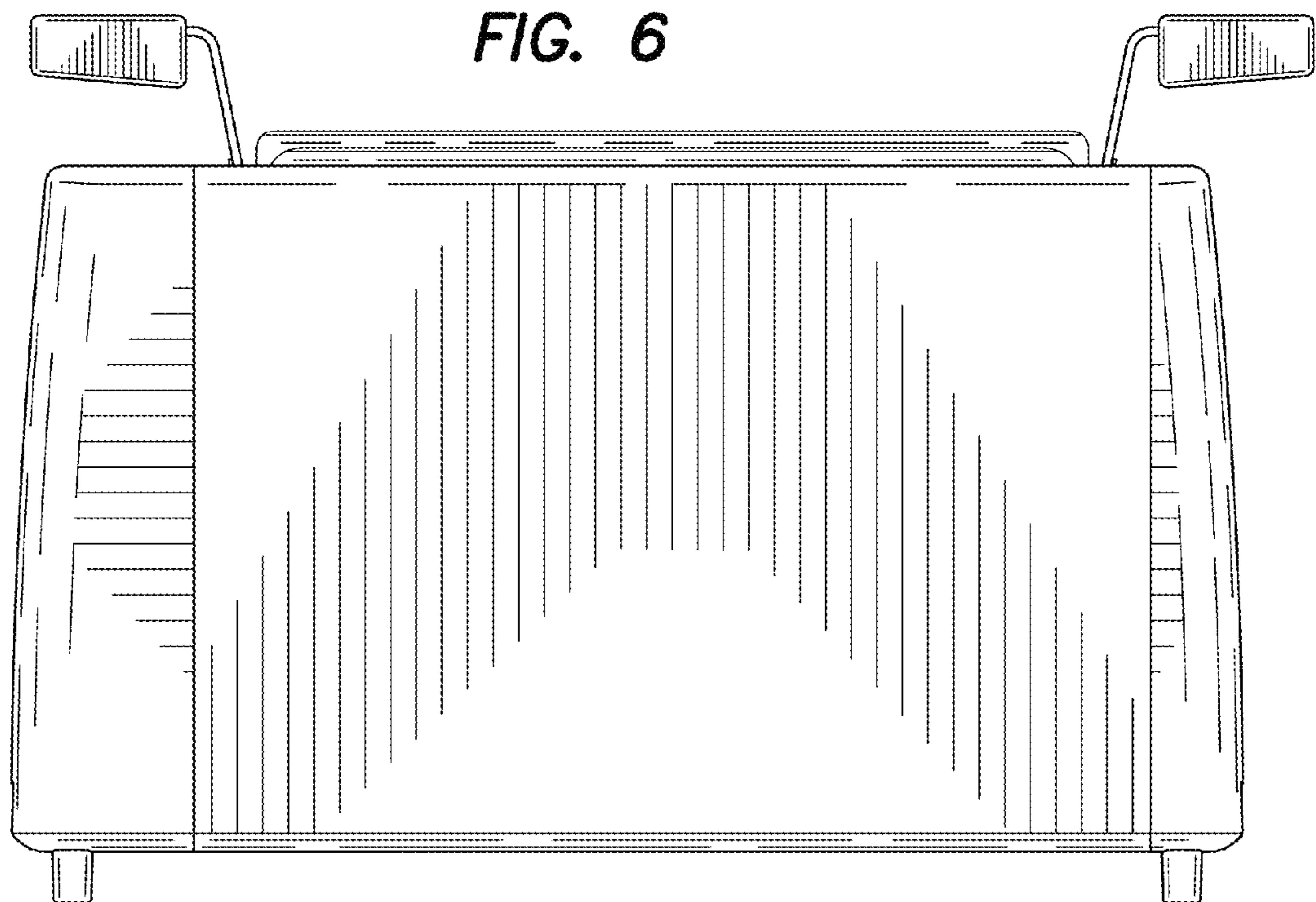


FIG. 6

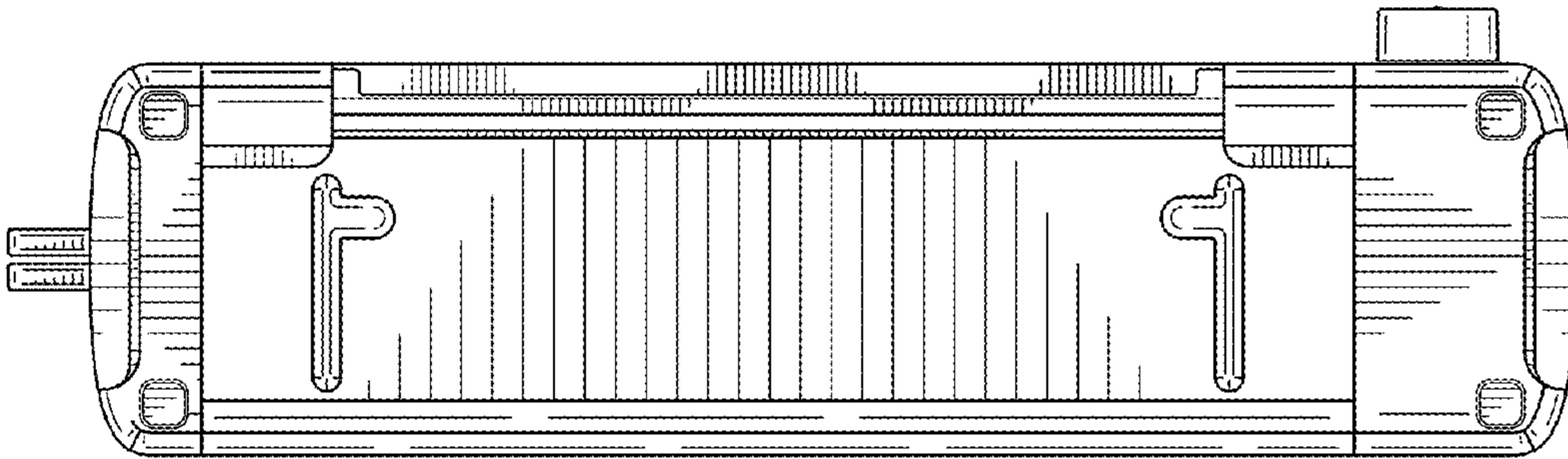


FIG. 7