



US00D751852S

(12) **United States Design Patent**
Liu

(10) **Patent No.:** **US D751,852 S**
(45) **Date of Patent:** **** Mar. 22, 2016**

- (54) **BEVERAGE-MAKING POT**
- (71) Applicant: **Ming-Tung Liu**, Taipei (TW)
- (72) Inventor: **Ming-Tung Liu**, Taipei (TW)
- (**) Term: **14 Years**
- (21) Appl. No.: **29/508,847**
- (22) Filed: **Nov. 12, 2014**
- (51) **LOC (10) Cl.** **07-01**
- (52) **U.S. Cl.**
USPC **D7/319**; D7/536; D7/300
- (58) **Field of Classification Search**
USPC D7/300, 316-319, 598, 600, 321, 536,
D7/533, 515, 514, 517, 312, 361;
D23/207, 209; 222/144.5; 219/209;
99/300, 285, 323.3; 210/237, 474
CPC . B01D 35/027; A47G 19/22; A47G 23/0241;
A47J 43/44; C02F 1/003; H04B 10/801
See application file for complete search history.

- (56) **References Cited**
U.S. PATENT DOCUMENTS
2,196,712 A * 4/1940 Truitt A47G 19/24
222/324
D159,724 S * 8/1950 Glass D7/515
D183,346 S * 8/1958 Hardy D7/321

- D218,471 S * 8/1970 Stone D7/536
- 5,010,461 A * 4/1991 Saotome A47G 23/0309
362/101
- D319,755 S * 9/1991 Guy D7/315
- D590,659 S * 4/2009 Lloyd D7/509
- D657,197 S * 4/2012 McCleary D7/515
- D684,428 S * 6/2013 Spencer D7/507
- D699,998 S * 2/2014 Liu D7/319
- D731,245 S * 6/2015 Beller D7/523

* cited by examiner

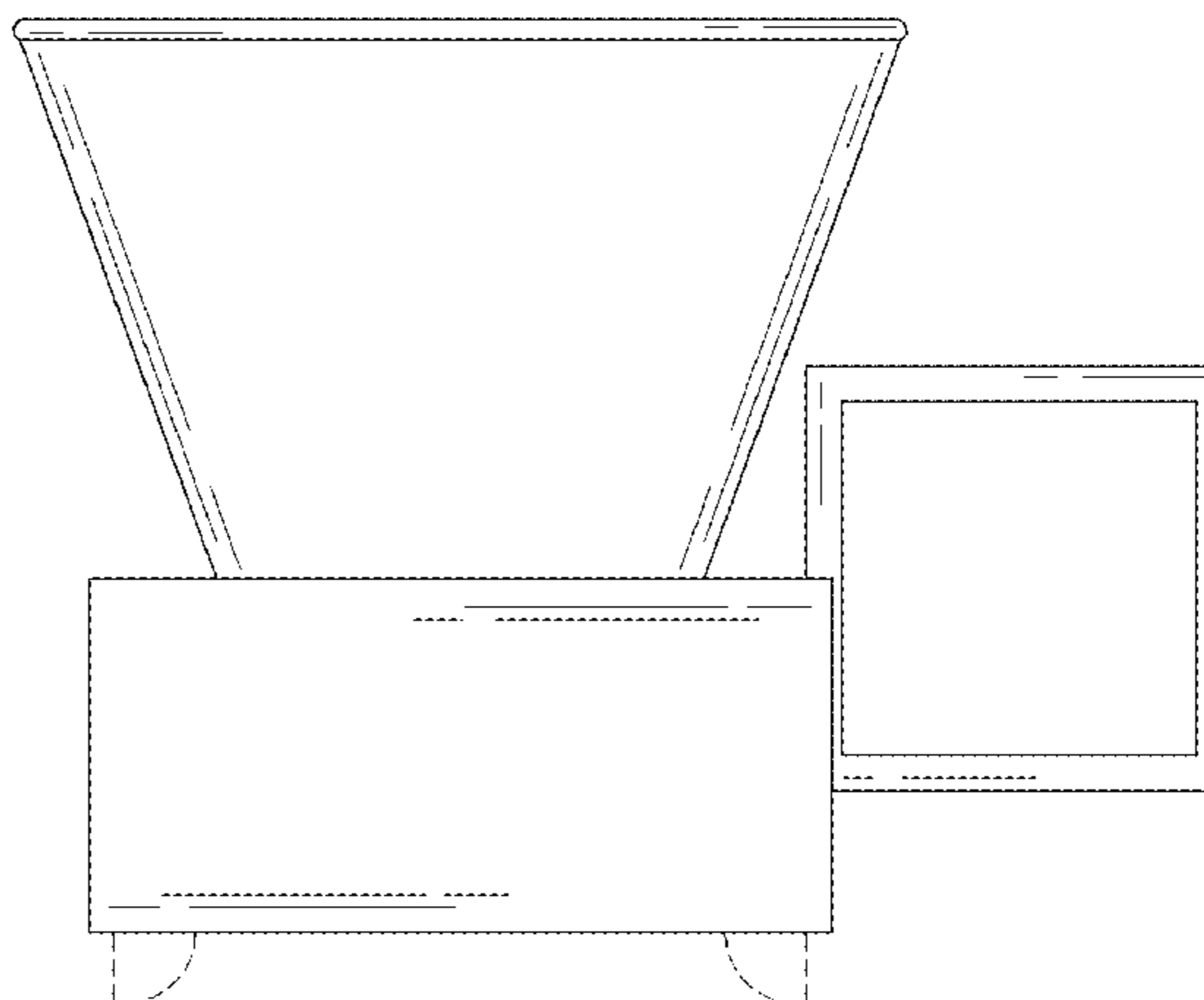
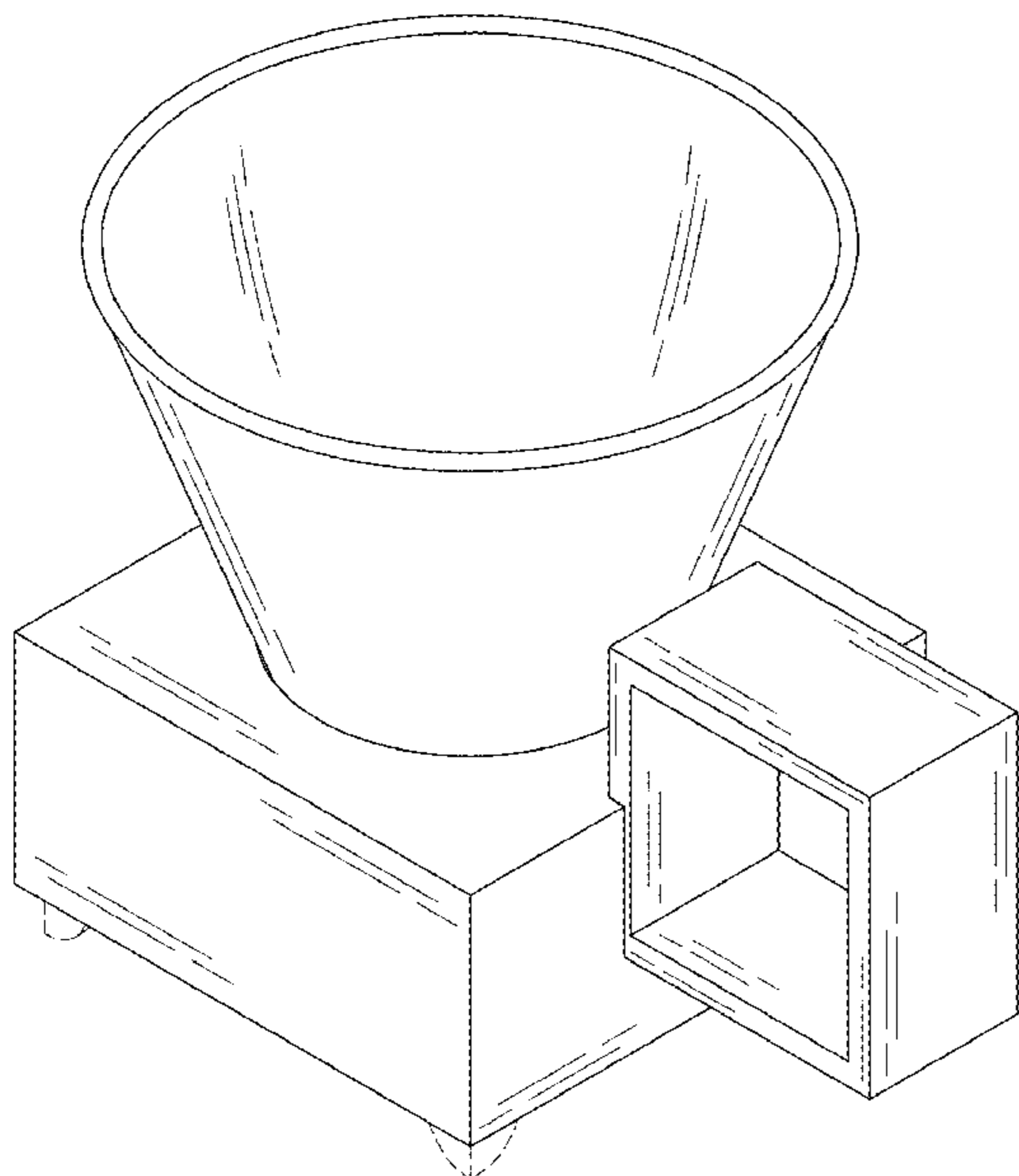
Primary Examiner — Marianne Pandozzi
(74) *Attorney, Agent, or Firm* — Bacon & Thomas, PLLC

(57) **CLAIM**
The ornamental design for a beverage-making pot, as shown and described above.

DESCRIPTION

FIG. 1 is a perspective view of a beverage-making pot showing my new design;
FIG. 2 is a front elevational view thereof;
FIG. 3 is a rear elevational view thereof;
FIG. 4 is a left side elevational view thereof;
FIG. 5 is a right side elevational view thereof;
FIG. 6 is a top plan view thereof; and,
FIG. 7 is a bottom plan view thereof.
The broken lines showing partial portions of the beverage-making pot are for illustrative purpose only, and form no part of the claimed design.

1 Claim, 7 Drawing Sheets



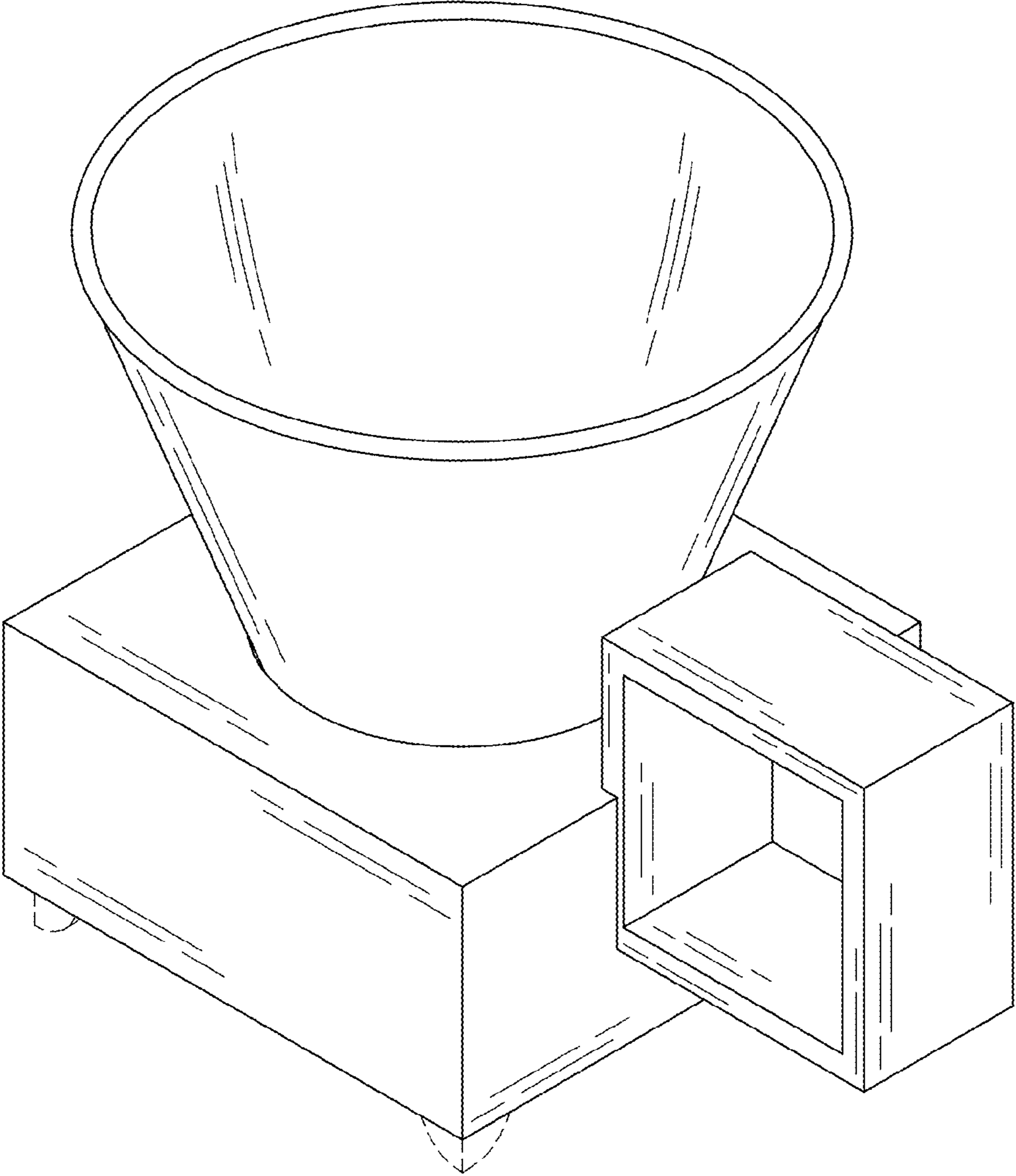


FIG. 1

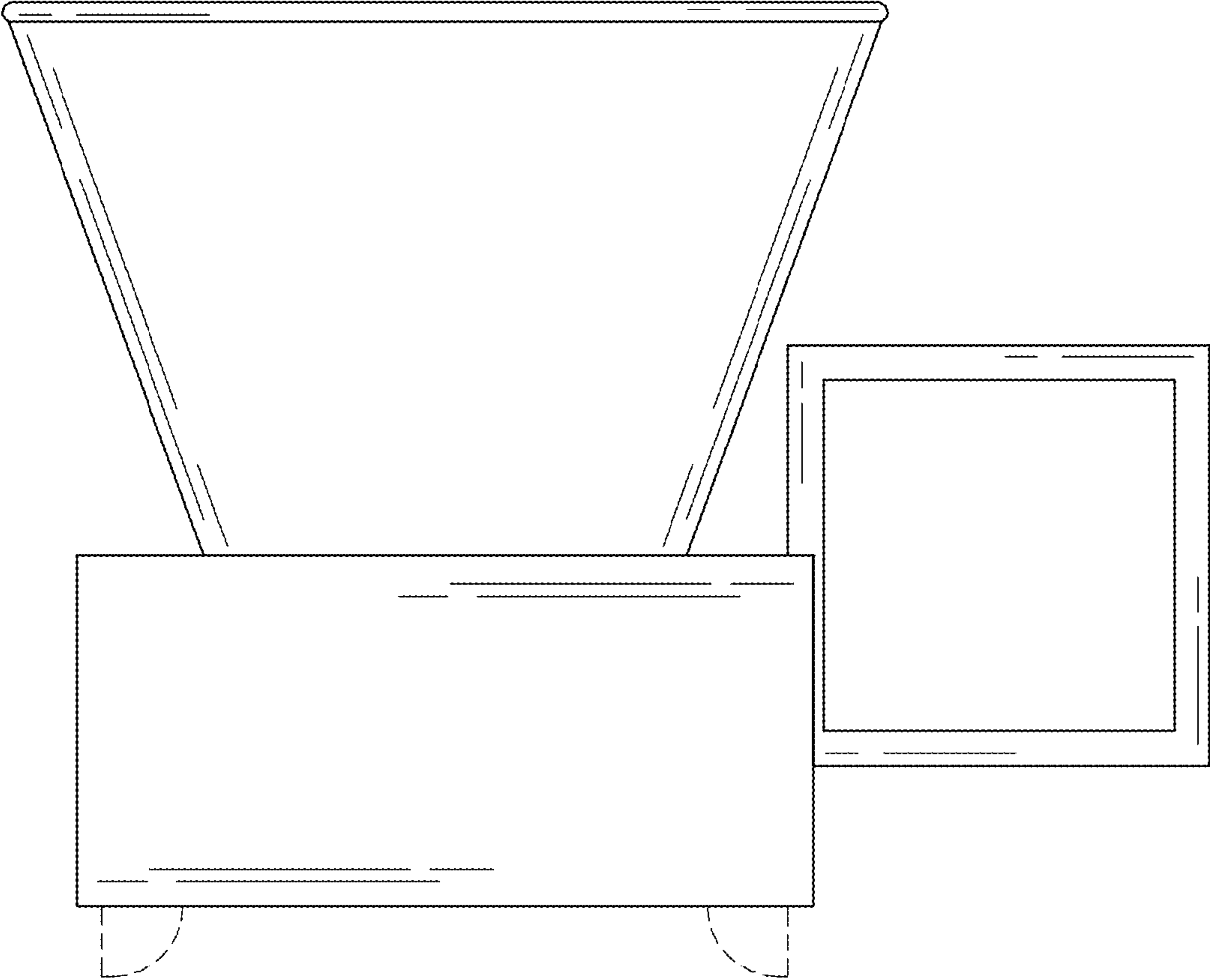


FIG. 2

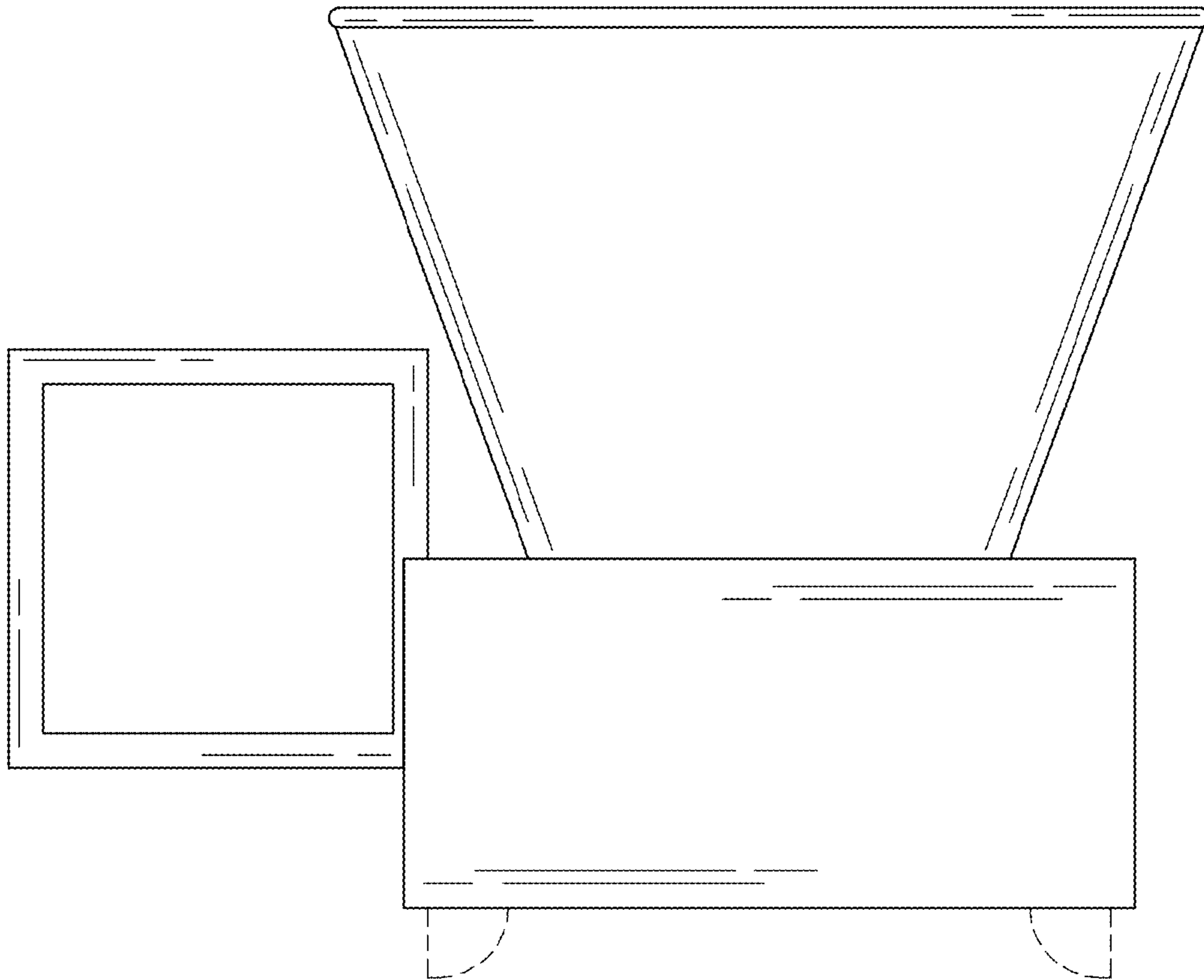


FIG. 3

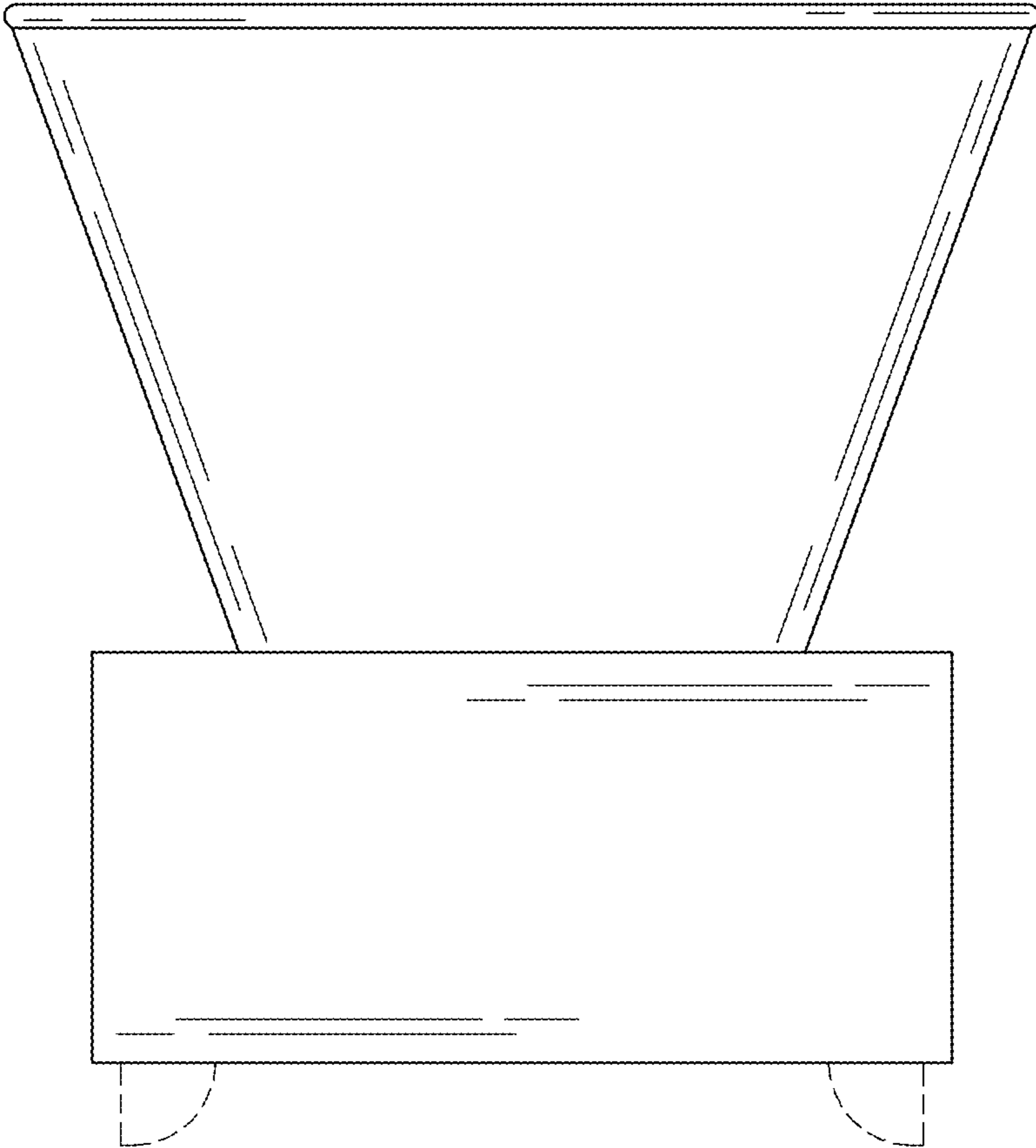


FIG. 4

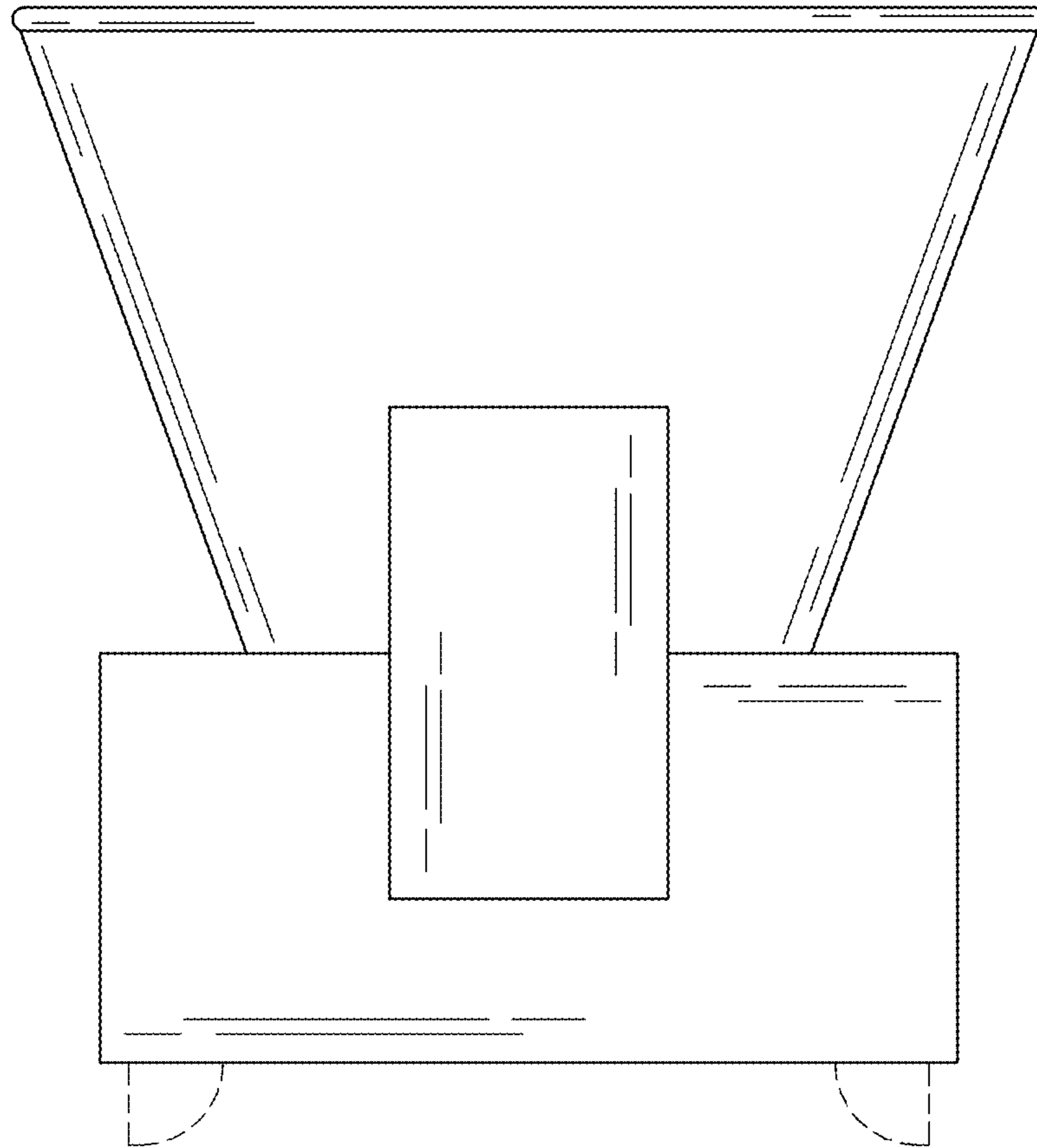


FIG. 5

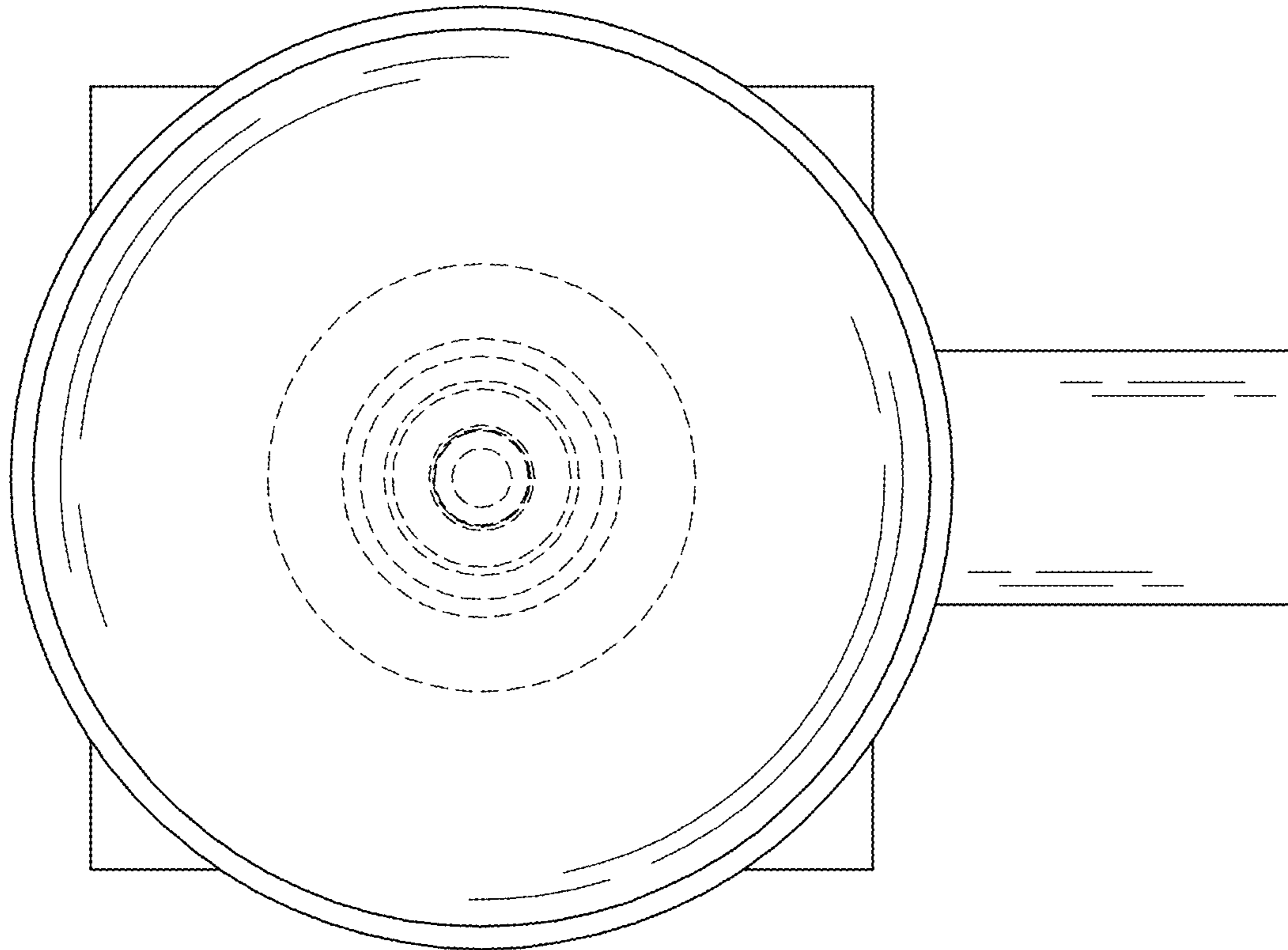


FIG. 6

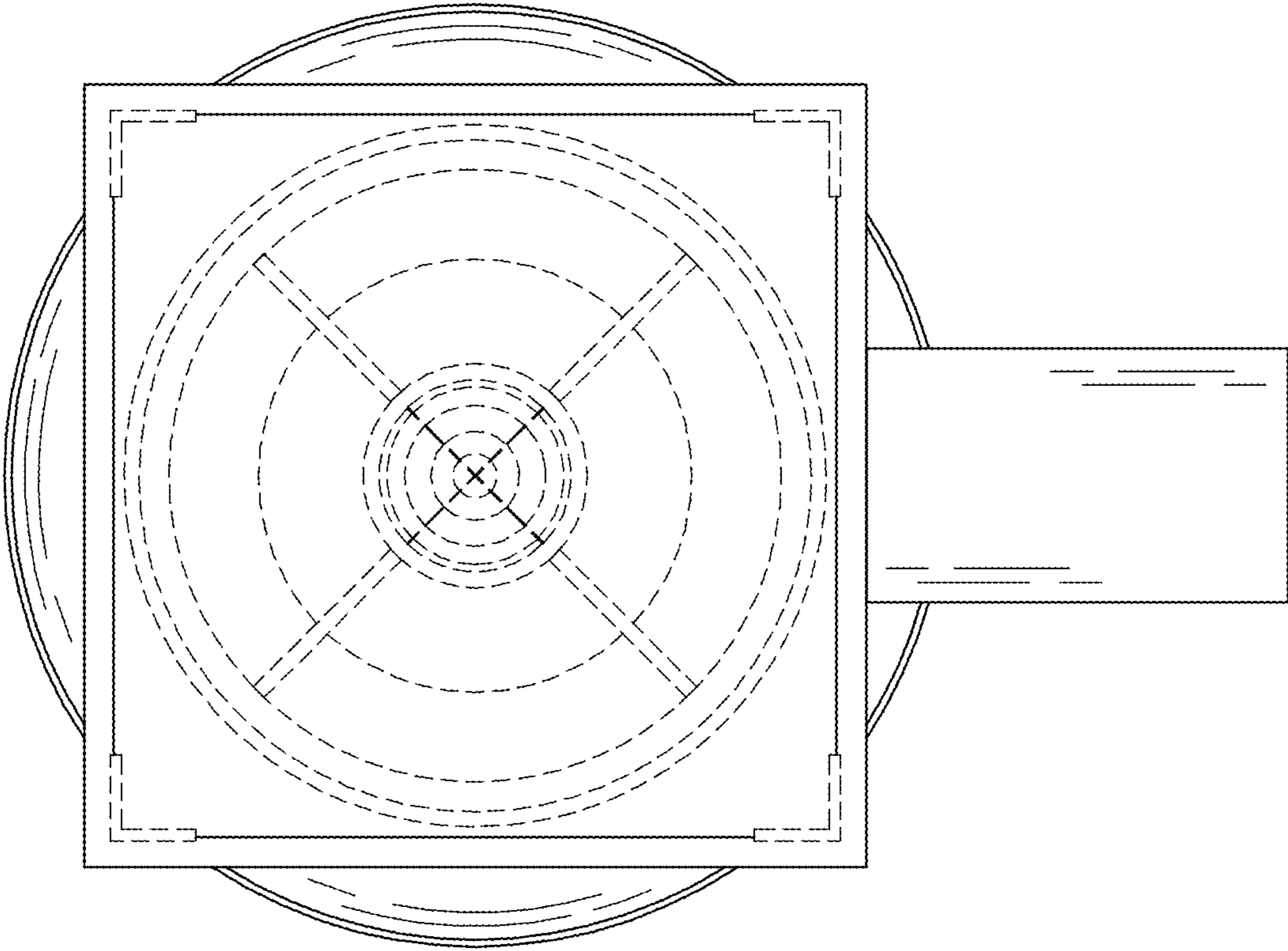


FIG. 7