



US00D751851S

(12) **United States Design Patent**  
**Kunz**

(10) **Patent No.:** **US D751,851 S**  
(45) **Date of Patent:** **\*\* Mar. 22, 2016**

(54) **CARAFE**  
(71) Applicant: **SEB, Selongey (FR)**  
(72) Inventor: **Anders Kunz, Savingy le Sec (FR)**  
(73) Assignee: **SEB, Selongey (FR)**  
(\*\*) Term: **14 Years**  
(21) Appl. No.: **29/501,419**  
(22) Filed: **Sep. 4, 2014**

4,920,868 A *	5/1990	Gehrmann	.....	A47J 31/542
				285/347
D322,007 S *	12/1991	Adams	.....	D7/317
D339,712 S *	9/1993	Bunn	.....	D7/316
D346,525 S *	5/1994	Littmann	.....	D7/316
D365,492 S *	12/1995	Rorke	.....	D7/317
D411,404 S *	6/1999	Littmann	.....	D7/317
D444,204 S *	6/2001	Hilgers	.....	D23/207
D454,525 S *	3/2002	McGuinness	.....	D12/171
D480,593 S *	10/2003	Nybakke	.....	D7/317
D552,404 S *	10/2007	Bodum	.....	D7/312
D560,091 S *	1/2008	Bodum	.....	D7/312
D596,891 S *	7/2009	Bodum	.....	D7/319
D616,694 S *	6/2010	Kulikov	.....	D23/209
D668,095 S *	10/2012	Green	.....	D7/317
9,010,238 B2 *	4/2015	Bodum	.....	A47J 31/20
				222/473

(30) **Foreign Application Priority Data**

Mar. 5, 2014 (EM) ..... 002417832-0001

(51) **LOC (10) Cl.** ..... **07-01**  
(52) **U.S. Cl.**  
USPC ..... **D7/317; D7/319; D7/399**  
(58) **Field of Classification Search**  
USPC ..... D7/300, 316-319, 598, 600, 305, 399;  
D23/207, 209; 222/144.5, 475.1;  
219/209, 731; 99/300, 303, 307, 295,  
99/317, 279; 210/237, 474  
CPC ..... B01D 35/027; A47G 19/22; A47G 19/14;  
A47G 31/005; A47J 43/44; A47J 31/00;  
A47J 36/14; A47J 31/10; C02F 1/003; H04B  
10/801  
See application file for complete search history.

\* cited by examiner

*Primary Examiner* — Marianne Pandozzi  
(74) *Attorney, Agent, or Firm* — Loeb & Loeb LLP

(57) **CLAIM**  
The ornamental design for a carafe, as shown and described.

**DESCRIPTION**

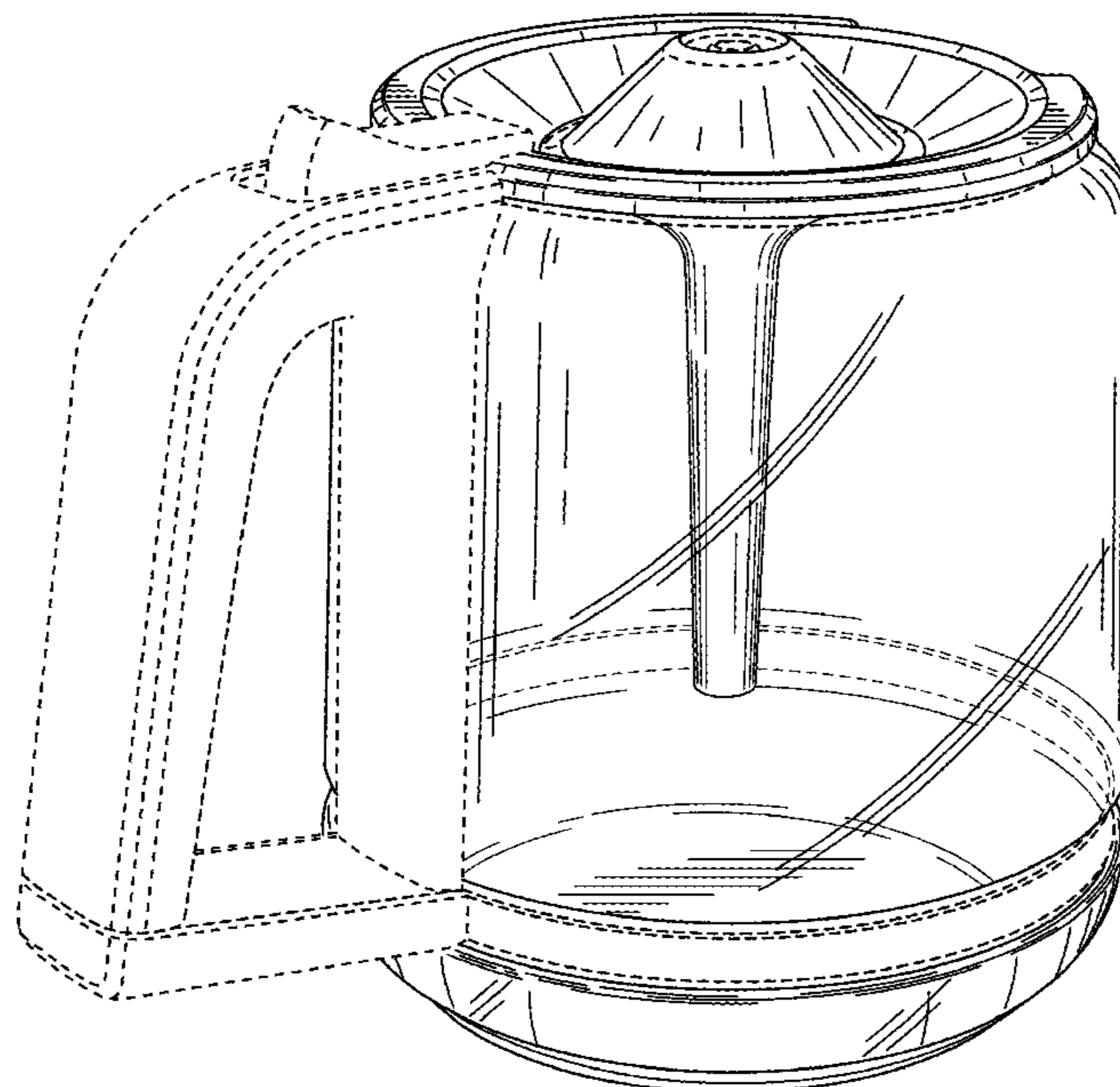
FIG. 1 is a perspective view of an embodiment of a carafe showing my new design.  
FIG. 2 is a left side elevational view of the carafe of FIG. 1.  
FIG. 3 is a right side elevational view of the carafe of FIG. 1.  
FIG. 4 is a front elevational view of the carafe of FIG. 1; and,  
FIG. 5 is a top plan view of the carafe of FIG. 1.  
The broken lines in the drawings are included for the purpose of illustrating environmental structure and form no part of the claimed design.

(56) **References Cited**

**U.S. PATENT DOCUMENTS**

D252,604 S *	8/1979	Harris	.....	D7/317
D286,848 S *	11/1986	Levin	.....	D7/305

**1 Claim, 5 Drawing Sheets**



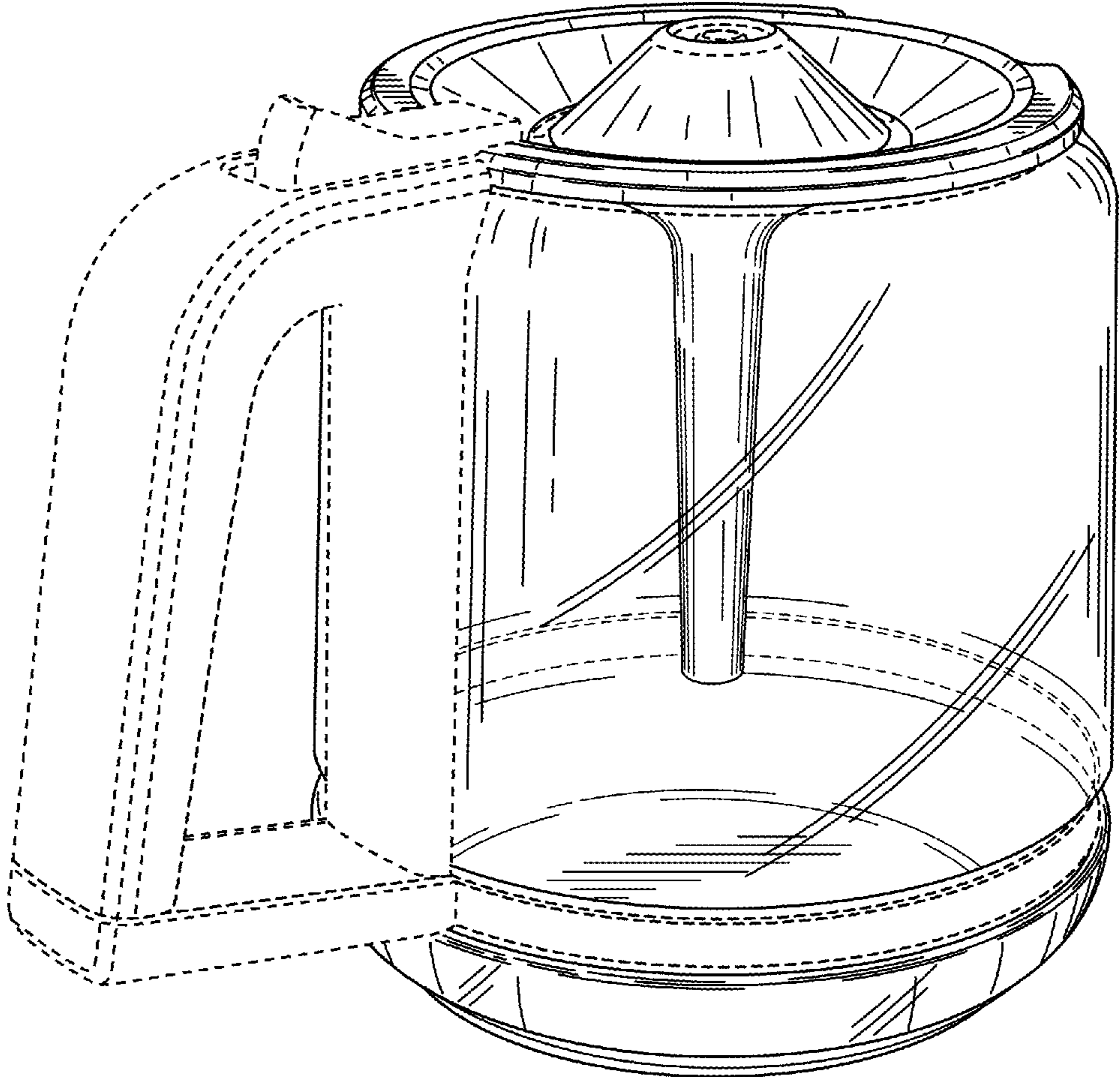


FIG. 1

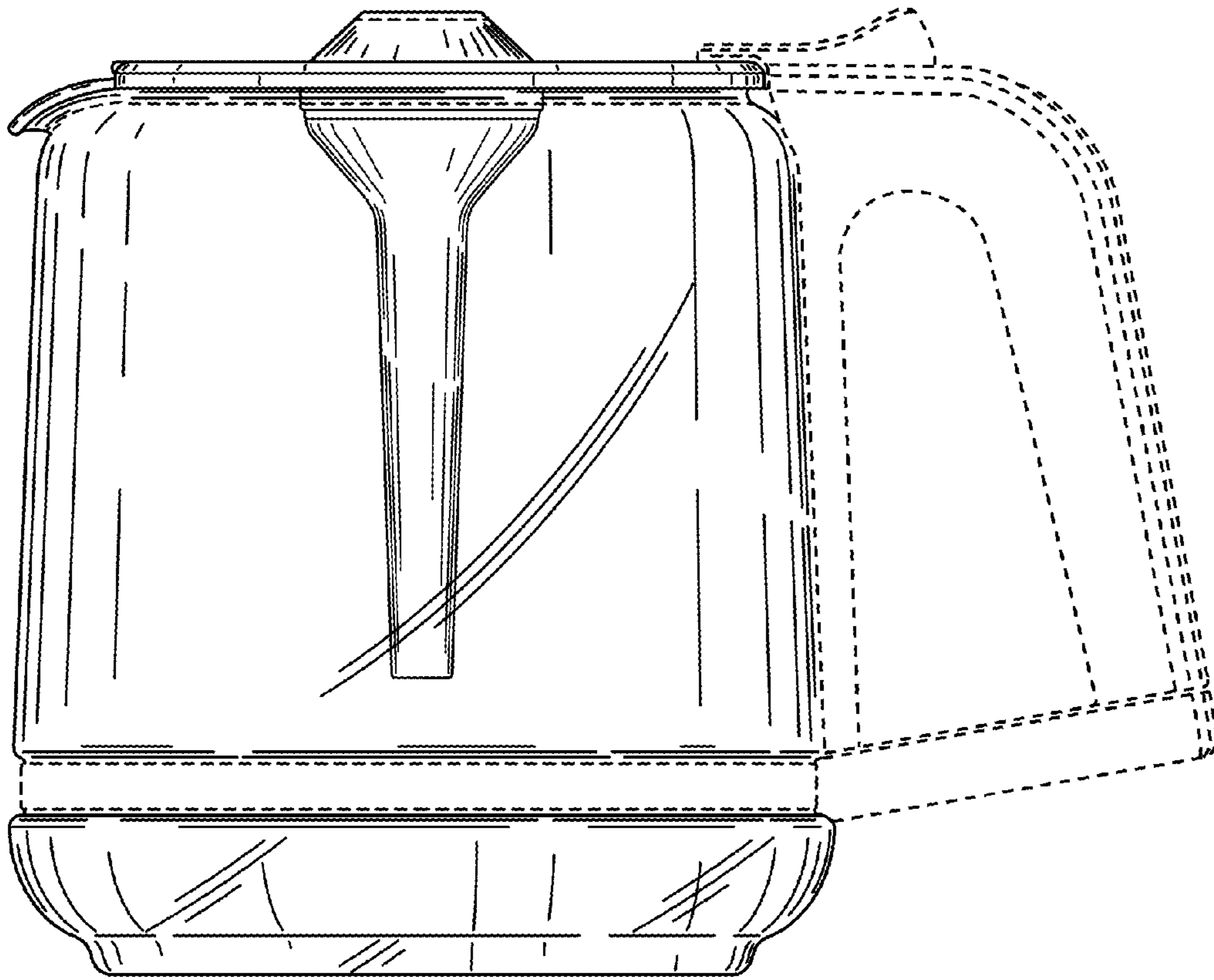


FIG. 2

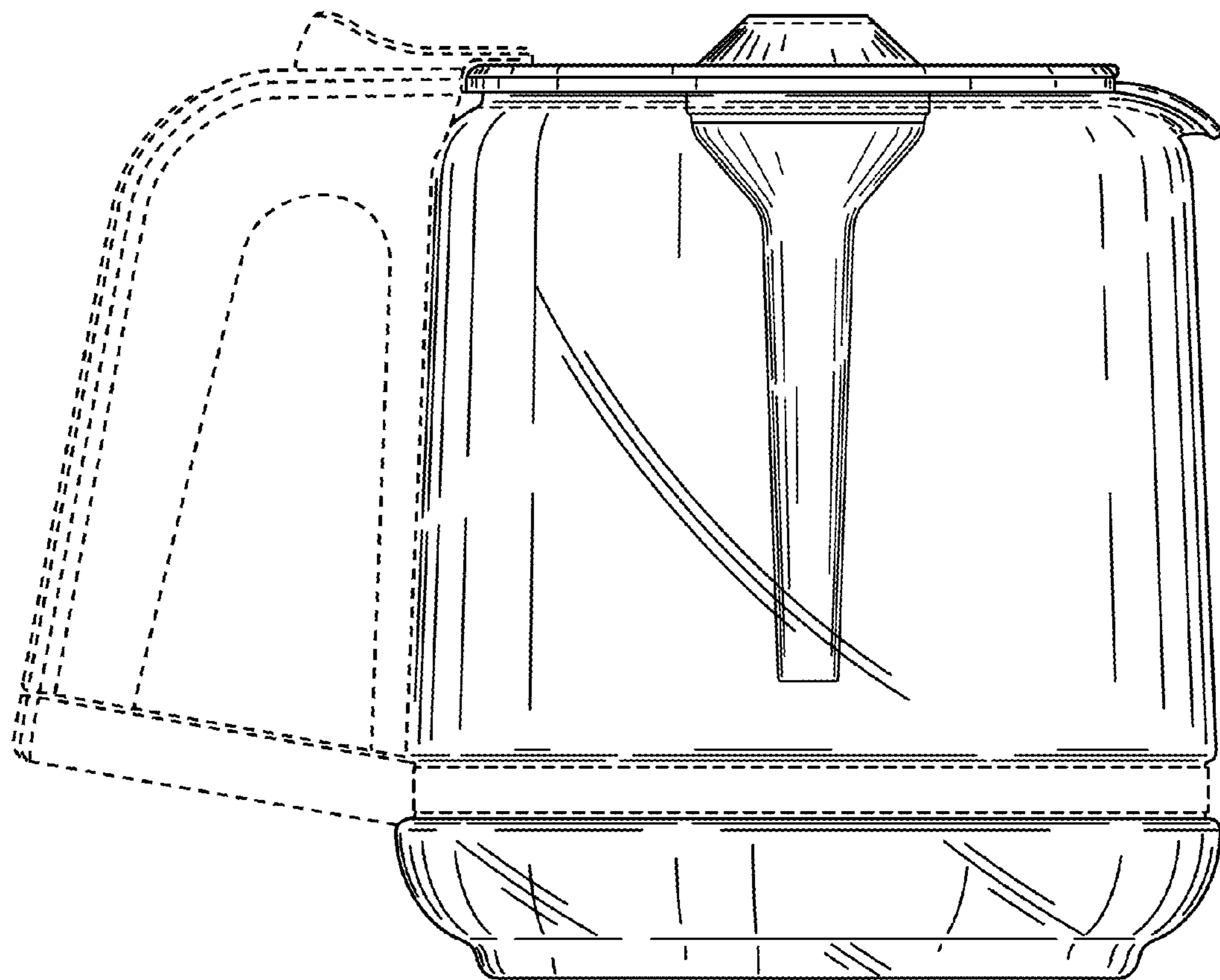


FIG. 3

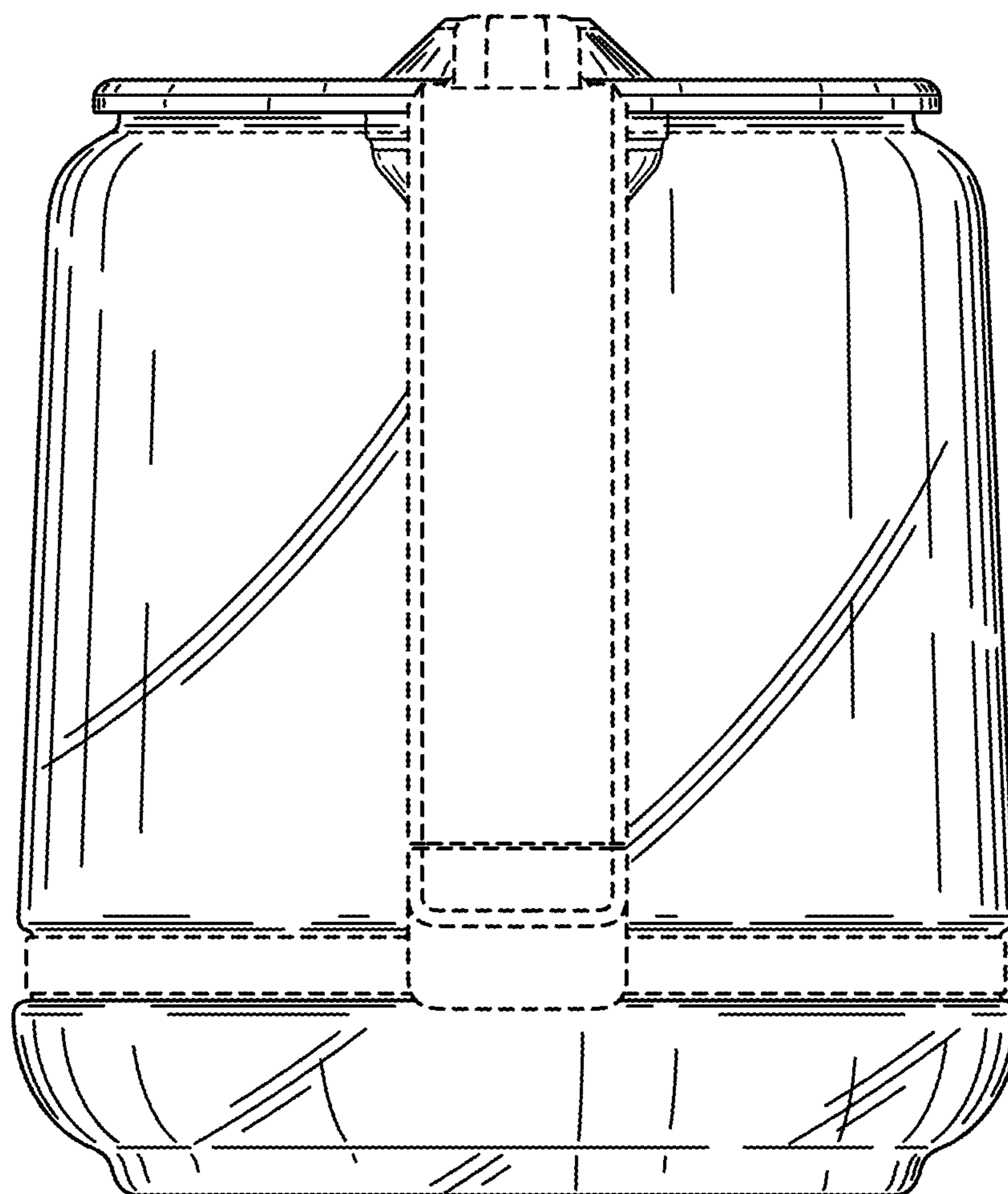


FIG. 4

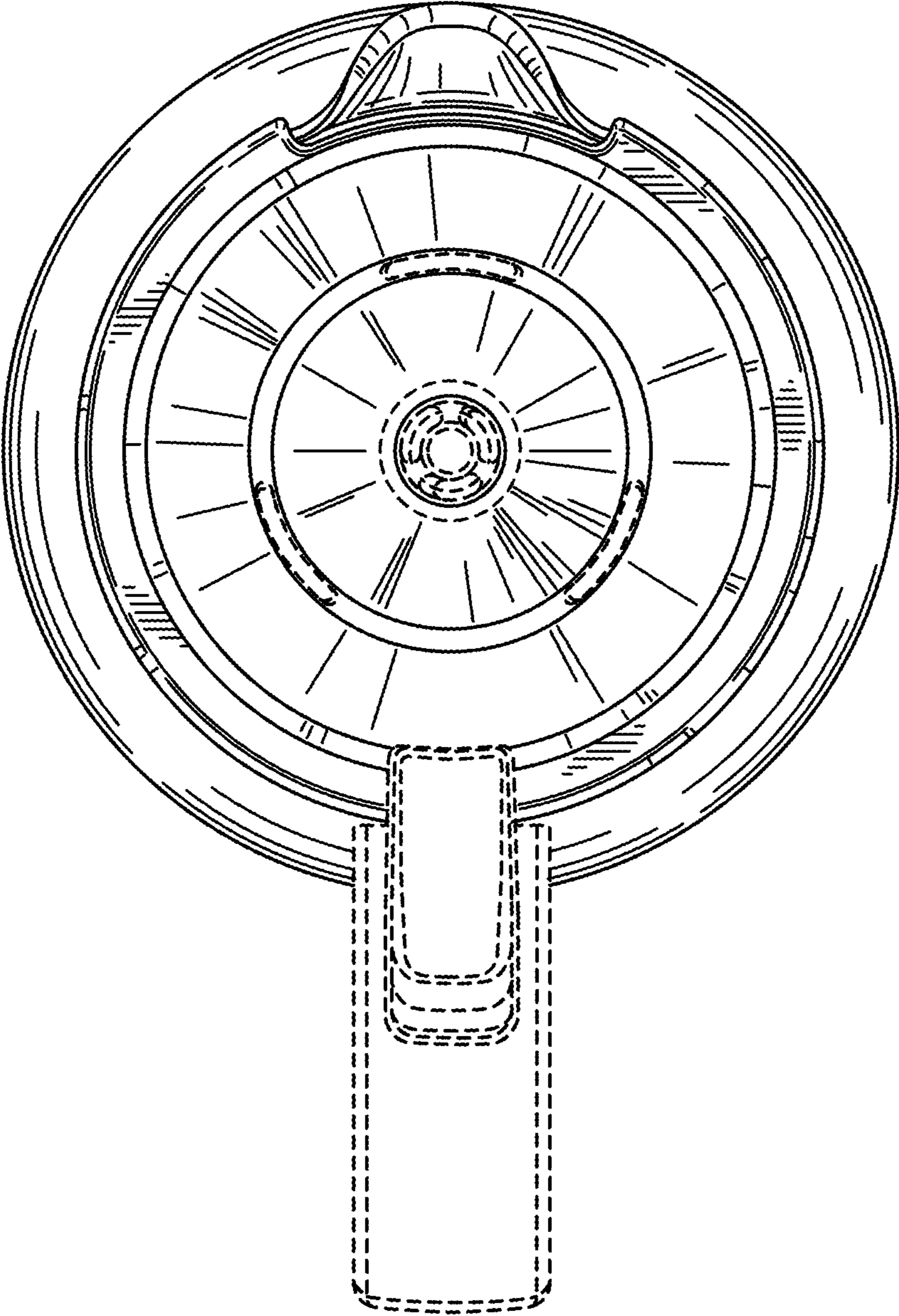


FIG. 5