



US00D751850S

(12) **United States Design Patent**  
**Kunz**

(10) **Patent No.:** **US D751,850 S**  
(45) **Date of Patent:** **\*\* Mar. 22, 2016**

(54) **THERMAL CARAFE**  
(71) Applicant: **SEB, Selongey (FR)**  
(72) Inventor: **Anders Kunz, Savigy le Sec (FR)**  
(73) Assignee: **SEB, Selongey (FR)**  
(\*\*) Term: **14 Years**  
(21) Appl. No.: **29/501,418**  
(22) Filed: **Sep. 4, 2014**  
(51) **LOC (10) Cl.** ..... **07-01**  
(52) **U.S. Cl.**  
USPC ..... **D7/317; D7/319; D7/399**  
(58) **Field of Classification Search**  
USPC ..... D7/300, 316-319, 598, 600, 305, 399;  
D23/207, 209; 222/144.5; 219/209,  
219/731; 99/300, 303, 307; 210/237, 474  
CPC ..... B01D 35/027; A47G 19/22; A47G 19/14;  
A47G 31/005; A47J 43/44; A47J 31/00;  
A47J 36/14; A47J 31/10; C02F 1/003; H04B  
10/801  
See application file for complete search history.

D339,712 S \* 9/1993 Bunn ..... D7/316  
D346,525 S \* 5/1994 Littmann ..... D7/316  
D365,492 S \* 12/1995 Rorke ..... D7/317  
D411,404 S \* 6/1999 Littmann ..... D7/317  
D444,204 S \* 6/2001 Hilgers ..... D23/207  
D480,593 S \* 10/2003 Nybakke ..... D7/317  
D668,095 S \* 10/2012 Green ..... D7/317

\* cited by examiner

*Primary Examiner* — Marianne Pandozzi  
(74) *Attorney, Agent, or Firm* — Loeb & Loeb LLP

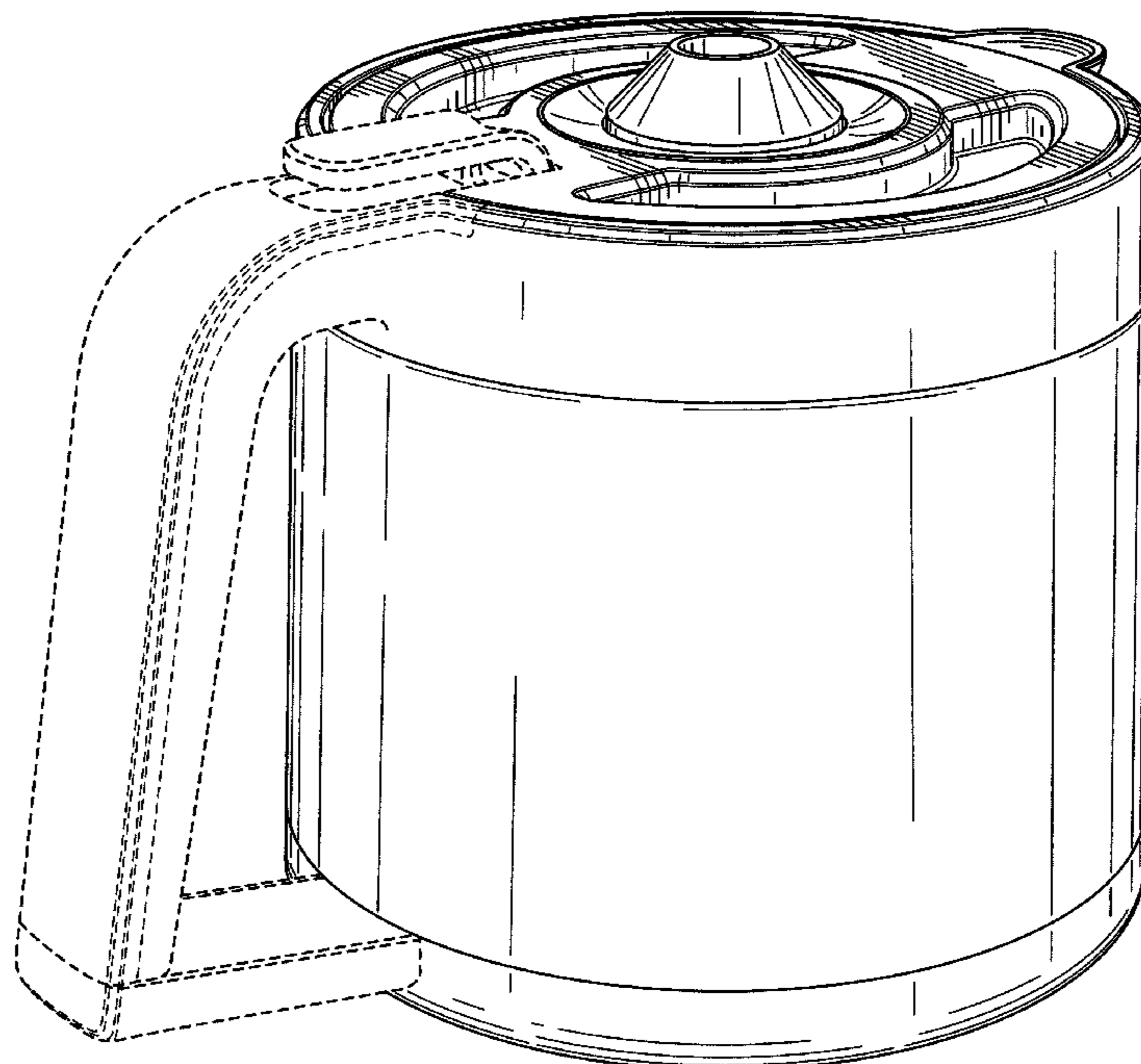
(57) **CLAIM**  
The ornamental design for a thermal carafe, as shown and described.

**DESCRIPTION**

FIG. 1 is a perspective view of an embodiment of a thermal carafe showing my new design.  
FIG. 2 is a front elevational view of the thermal carafe of FIG. 1.  
FIG. 3 is a left side elevational view of the thermal carafe of FIG. 1.  
FIG. 4 is a right side elevational view of the thermal carafe of FIG. 1; and,  
FIG. 5 is a top plan view of the thermal carafe of FIG. 1.  
The broken lines in the drawings are included for the purpose of illustrating environmental structure and form no part of the claimed design.

(56) **References Cited**  
**U.S. PATENT DOCUMENTS**  
D252,604 S \* 8/1979 Harris ..... D7/317  
4,920,868 A \* 5/1990 Gehrmann ..... A47J 31/542  
285/347

**1 Claim, 5 Drawing Sheets**



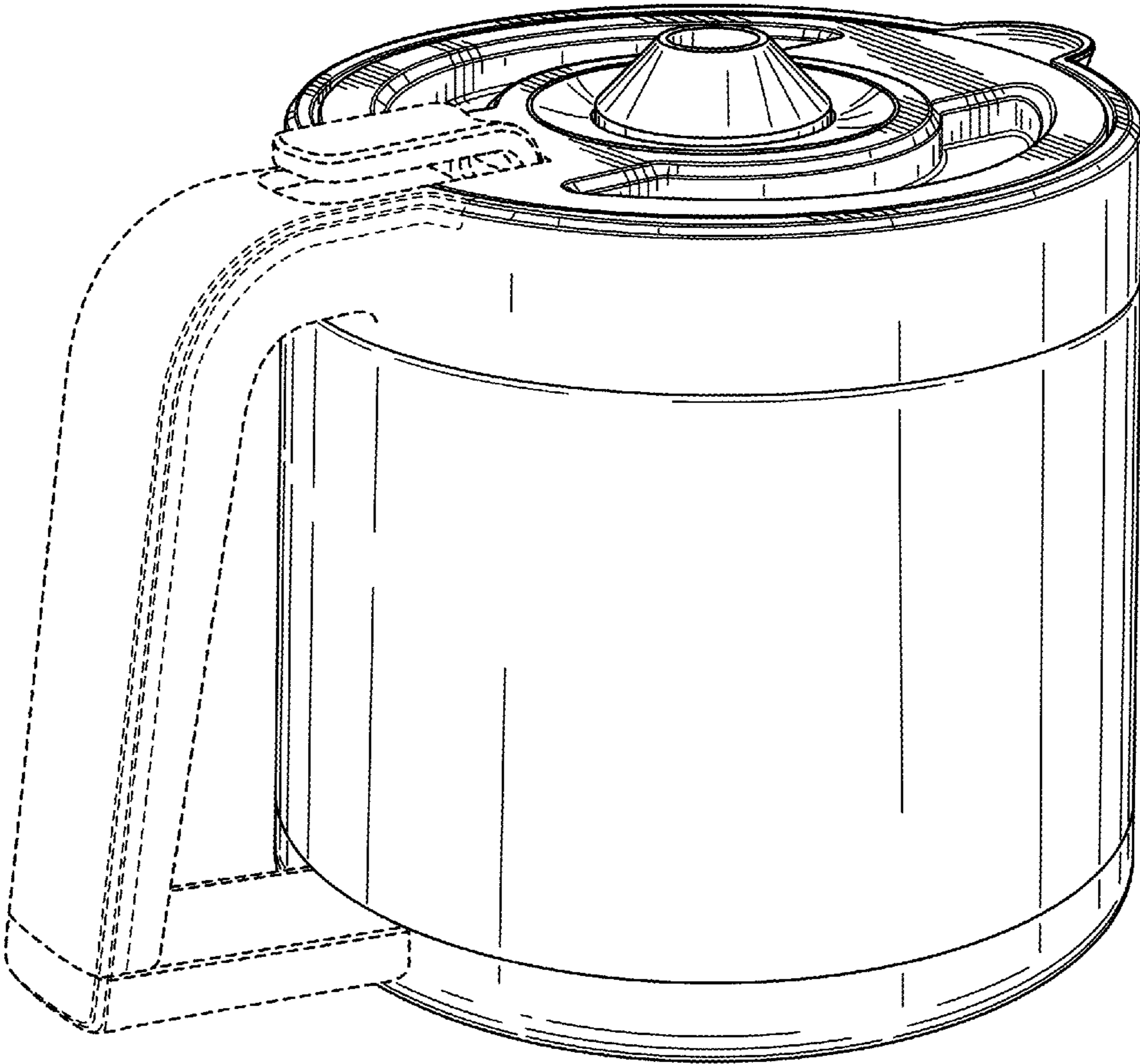


FIG. 1

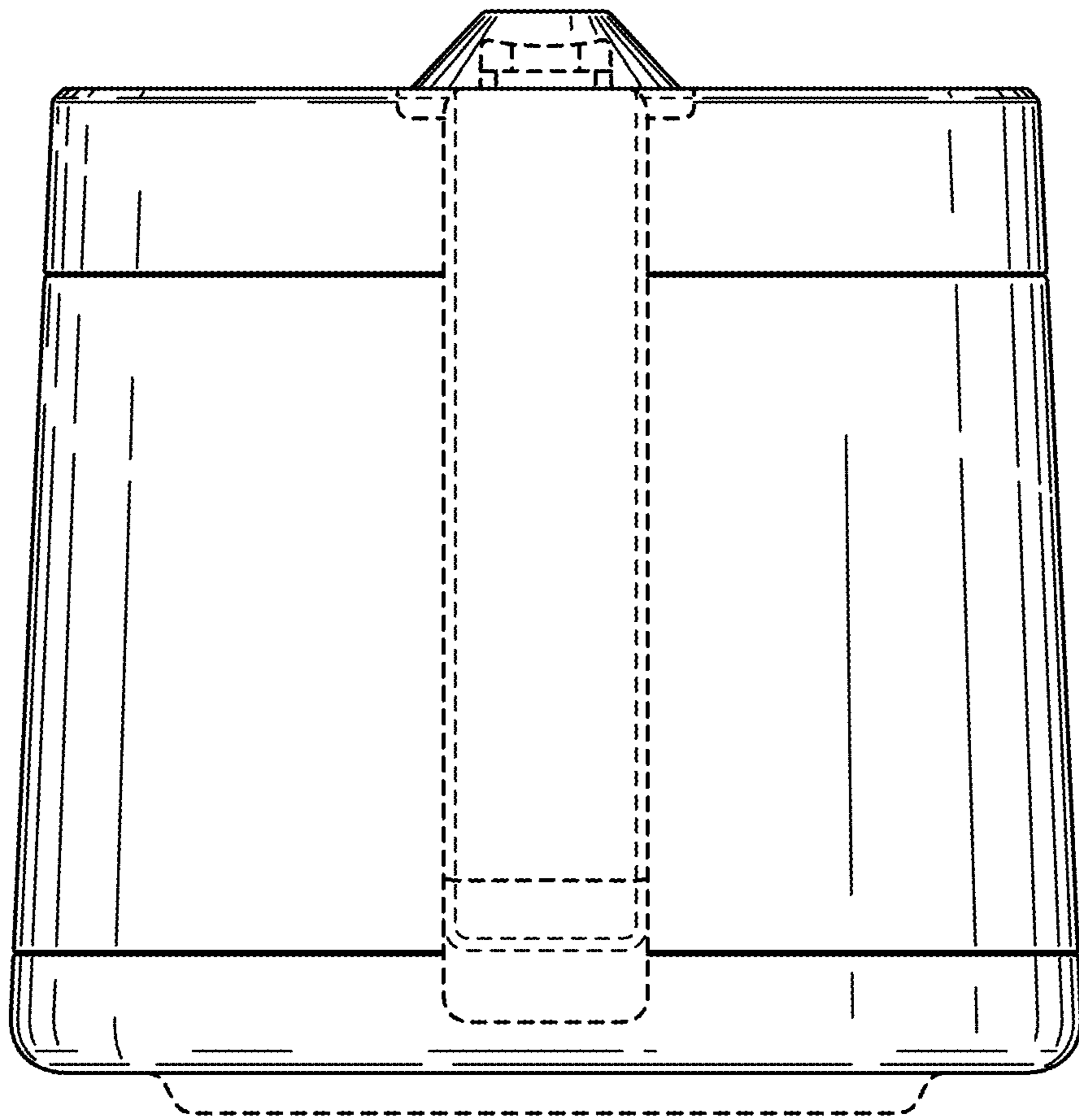


FIG. 2

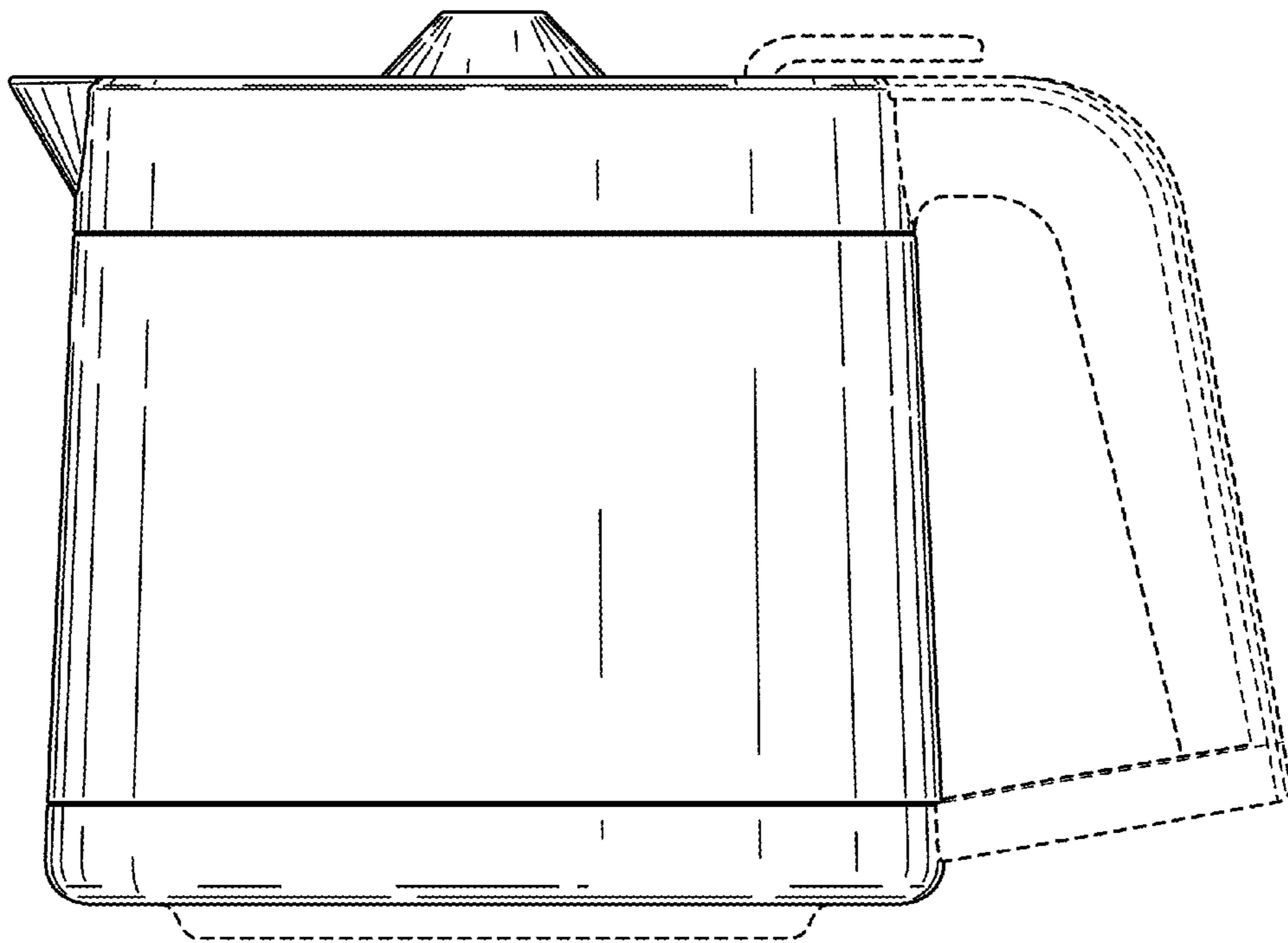


FIG. 3

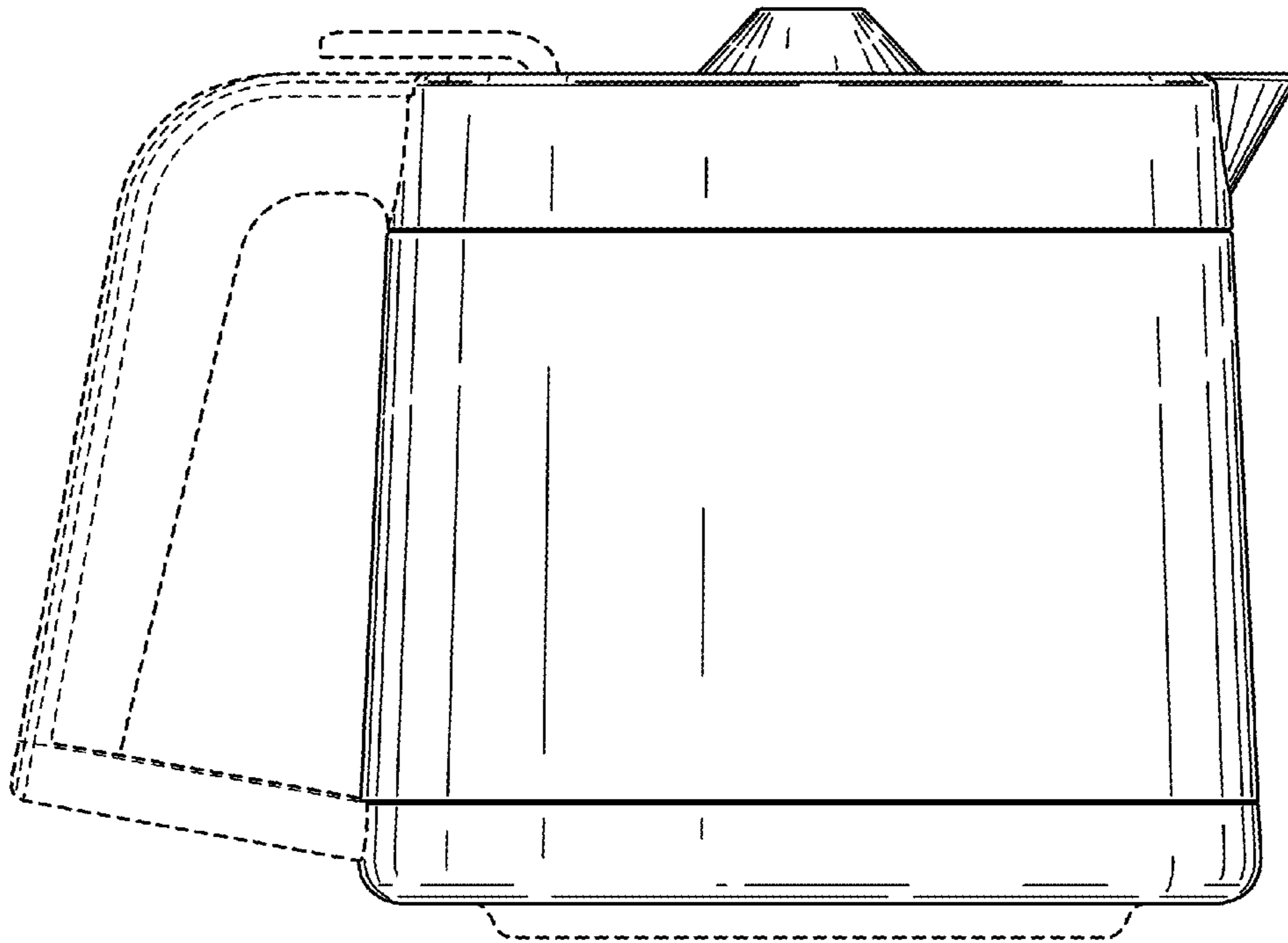


FIG. 4

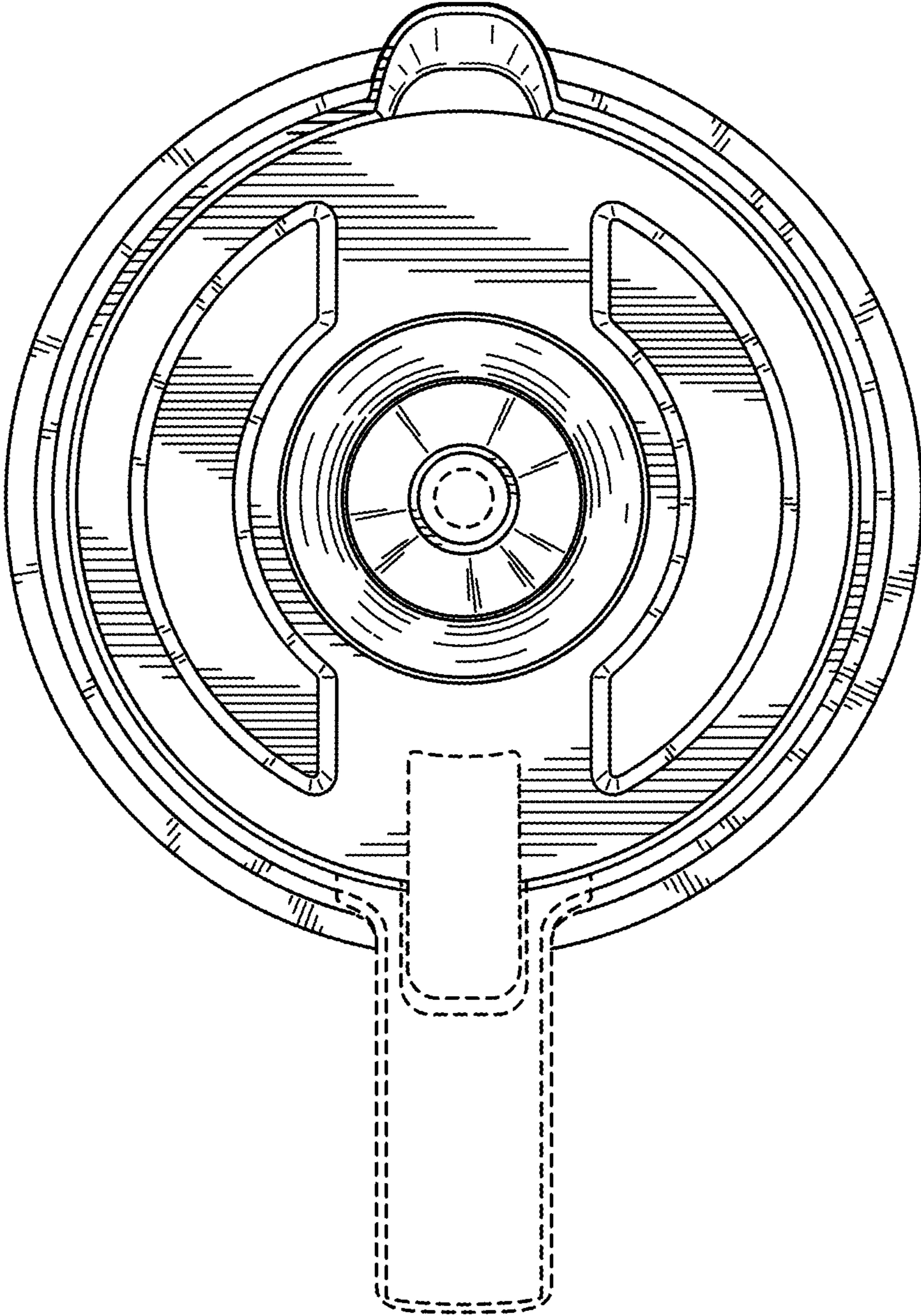


FIG. 5