

US00D751848S

(12) **United States Design Patent**
Price et al.

(10) **Patent No.:** **US D751,848 S**
(45) **Date of Patent:** **** Mar. 22, 2016**

- (54) **BEVERAGE DISPENSING BLADDER**
- (71) Applicants: **Travis Elliot Price**, Menlo Park, CA (US); **Kyle Mulroe**, Menlo Park, CA (US); **Jack Mulroe**, Menlo Park, CA (US)
- (72) Inventors: **Travis Elliot Price**, Menlo Park, CA (US); **Kyle Mulroe**, Menlo Park, CA (US); **Jack Mulroe**, Menlo Park, CA (US)
- (73) Assignee: **Mulroe-Price Designs LLC**, Menlo Park, CA (US)
- (**) Term: **14 Years**
- (21) Appl. No.: **29/501,374**
- (22) Filed: **Sep. 3, 2014**
- (51) **LOC (10) Cl.** **31-00**
- (52) **U.S. Cl.**
USPC **D7/301; D7/300; D7/515; D9/631; D9/708**
- (58) **Field of Classification Search**
USPC **D7/606, 624, 514, 515, 507, 509, 301, D7/302, 308, 317, 300, 510, 511; D2/970, D2/910, 911; 220/571, 713, 703; D9/631, D9/708, 709, 710, 617; 215/392, 393; D11/129, 126; 383/42, 86.2, 86.1; 222/107; D3/202, 229**
CPC **A45F 3/20; A45F 3/16**
See application file for complete search history.

(56) **References Cited**

U.S. PATENT DOCUMENTS

- D194,002 S * 11/1962 Pincus D11/126
- 3,814,288 A * 6/1974 Westrich A45F 3/16
215/13.1
- D238,248 S * 12/1975 Westrich D3/202
- 5,188,266 A * 2/1993 Loulias B65D 81/3876
224/148.2
- D351,500 S * 10/1994 Yang D3/202
- D462,148 S * 8/2002 Freedman D11/126
- 6,644,854 B2 * 11/2003 Lien A45F 3/20
222/175

- D487,396 S * 3/2004 Scharnweber D9/708
- D498,429 S * 11/2004 Sotomura D11/126
- 6,883,683 B1 * 4/2005 Cunningham B65D 75/58
222/107
- D520,406 S * 5/2006 Groeschen D11/126
- D560,122 S * 1/2008 Fuchs D9/708
- D616,931 S * 6/2010 Staller D19/4
- D636,544 S * 4/2011 Spurgeon D11/126
- D644,123 S * 8/2011 Blau D9/709
- D654,372 S * 2/2012 Hung D9/710
- D661,201 S * 6/2012 Schroeder D9/710
- D678,777 S * 3/2013 Neset D9/601
- D690,501 S * 10/2013 Yetts D3/202
- D693,566 S * 11/2013 Martin D3/202
- D693,567 S * 11/2013 Martin D3/202
- D719,775 S * 12/2014 Price D7/301
- D727,672 S * 4/2015 Price D11/126
- D729,580 S * 5/2015 Waldis D7/509
- D734,940 S * 7/2015 Fay D3/202

* cited by examiner

Primary Examiner — Marianne Pandozzi

Assistant Examiner — Jae Liang

(74) *Attorney, Agent, or Firm* — Fenwick & West LLP

(57) **CLAIM**

The ornamental design for a beverage dispensing bladder, as shown and described.

DESCRIPTION

FIG. 1 is an exploded top front perspective view of a beverage dispensing bladder in its empty condition showing our new design;

FIG. 2 is an exploded front view thereof;

FIG. 3 is an exploded rear view thereof;

FIG. 4 is an exploded left side view thereof;

FIG. 5 is an exploded right side view thereof;

FIG. 6 is an exploded top view thereof; and

FIG. 7 is an exploded bottom view thereof.

FIG. 8 is a top front perspective view of a beverage dispensing bladder in its partially full condition;

FIG. 9 is a front view thereof;

FIG. 10 is a rear view thereof;

FIG. 11 is a right side view thereof;

FIG. 12 is a left side view thereof;

FIG. 13 is a top view thereof; and,

FIG. 14 is a bottom view thereof.

1 Claim, 10 Drawing Sheets

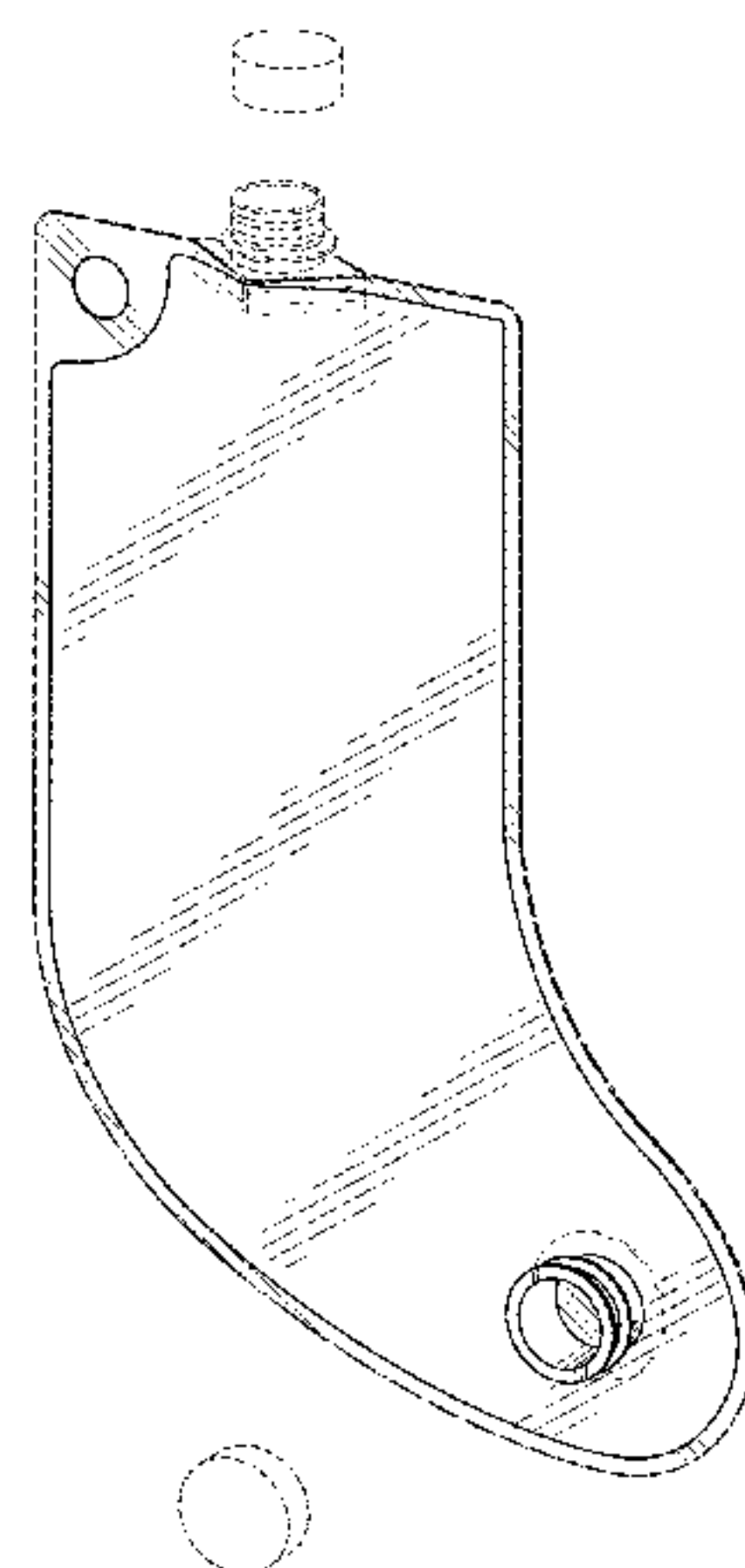


FIG. 1

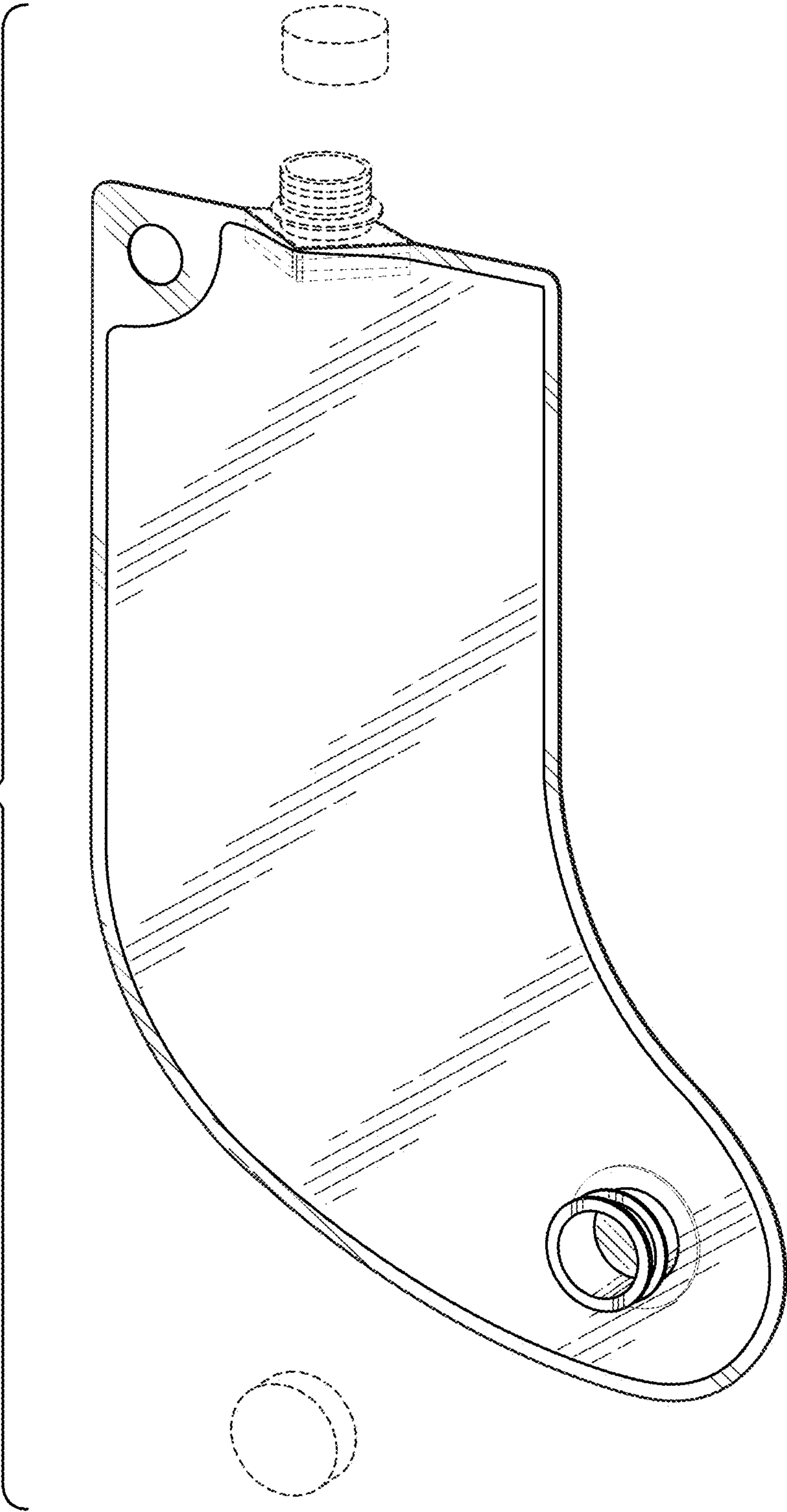
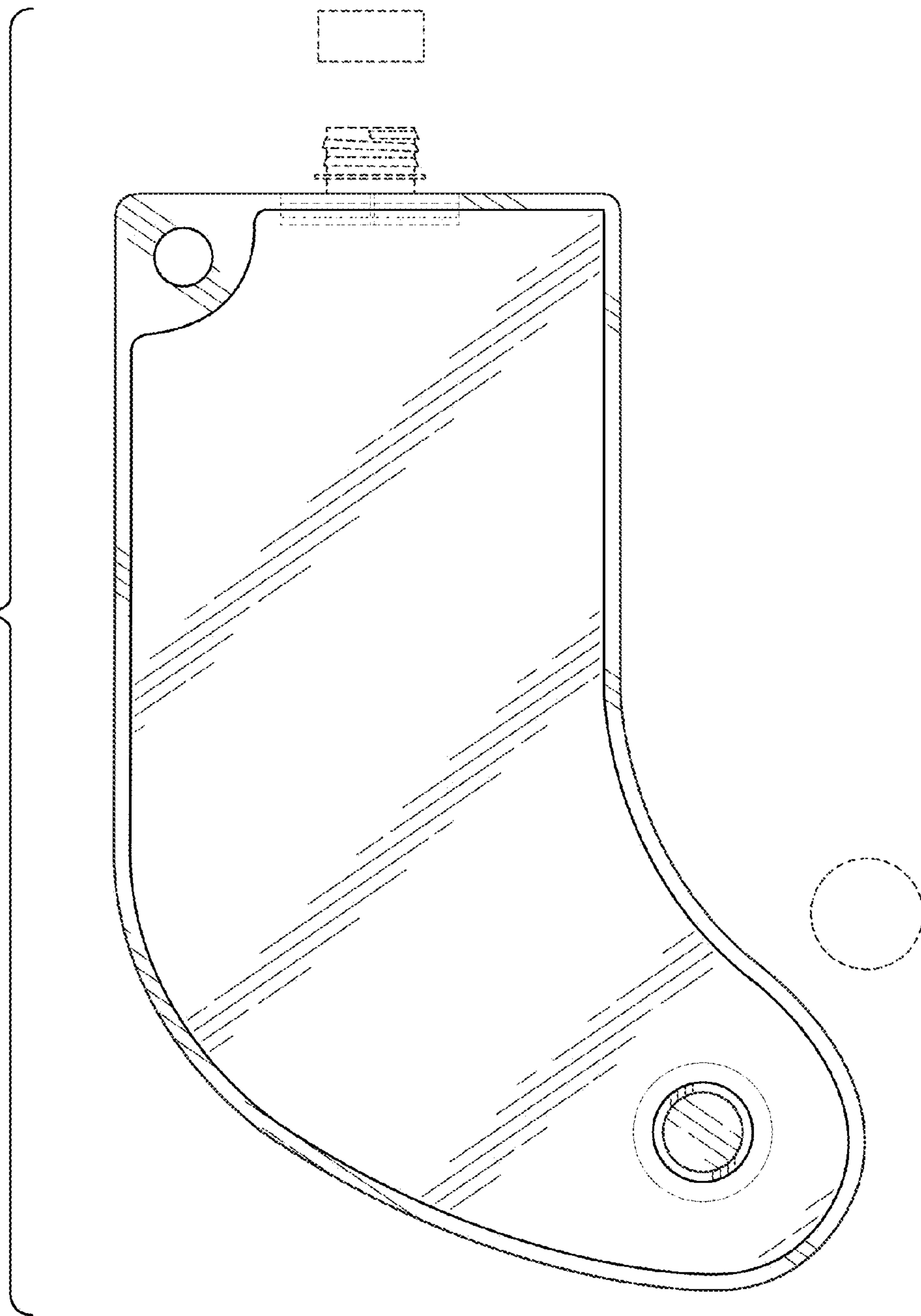


FIG. 2



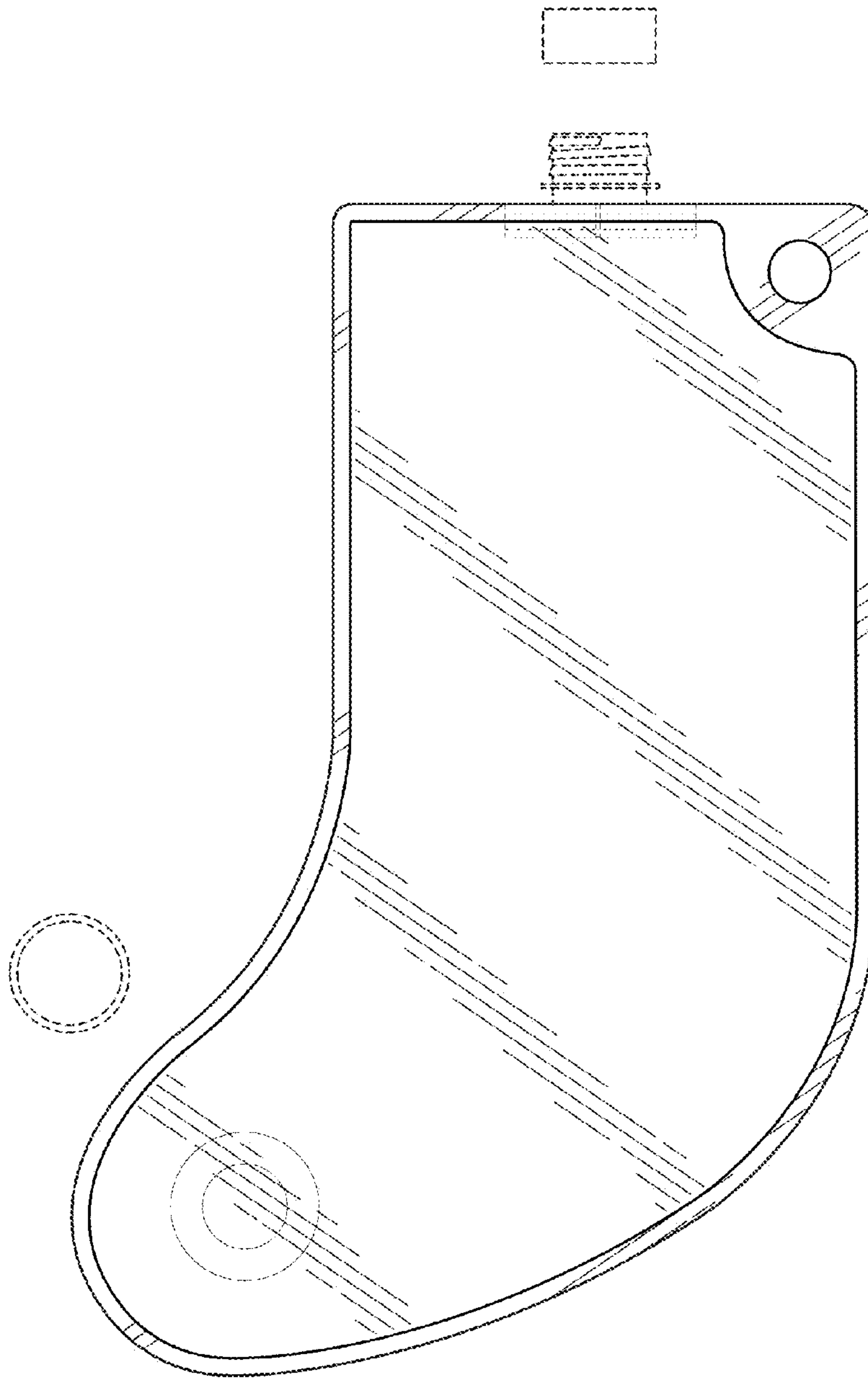
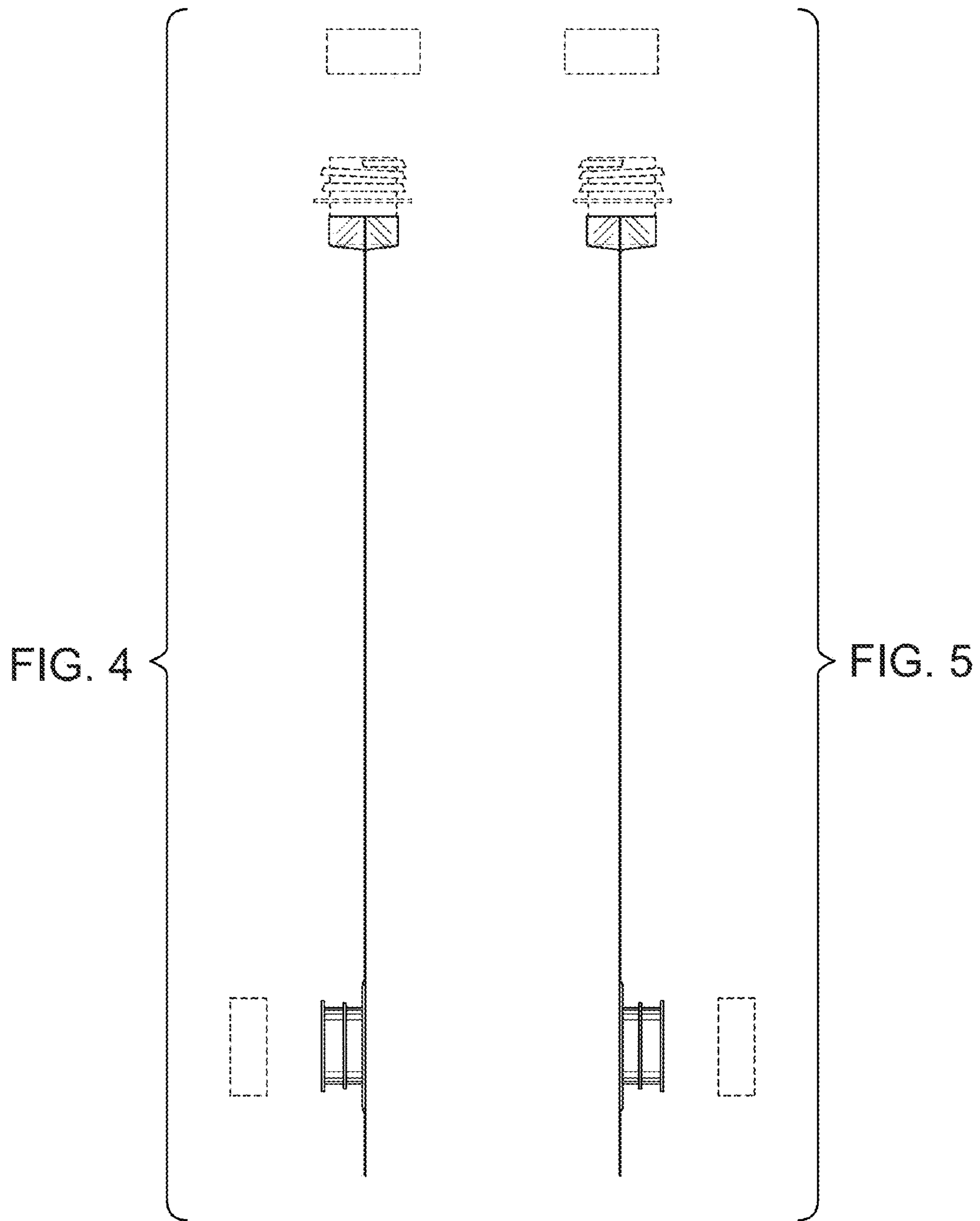


FIG. 3



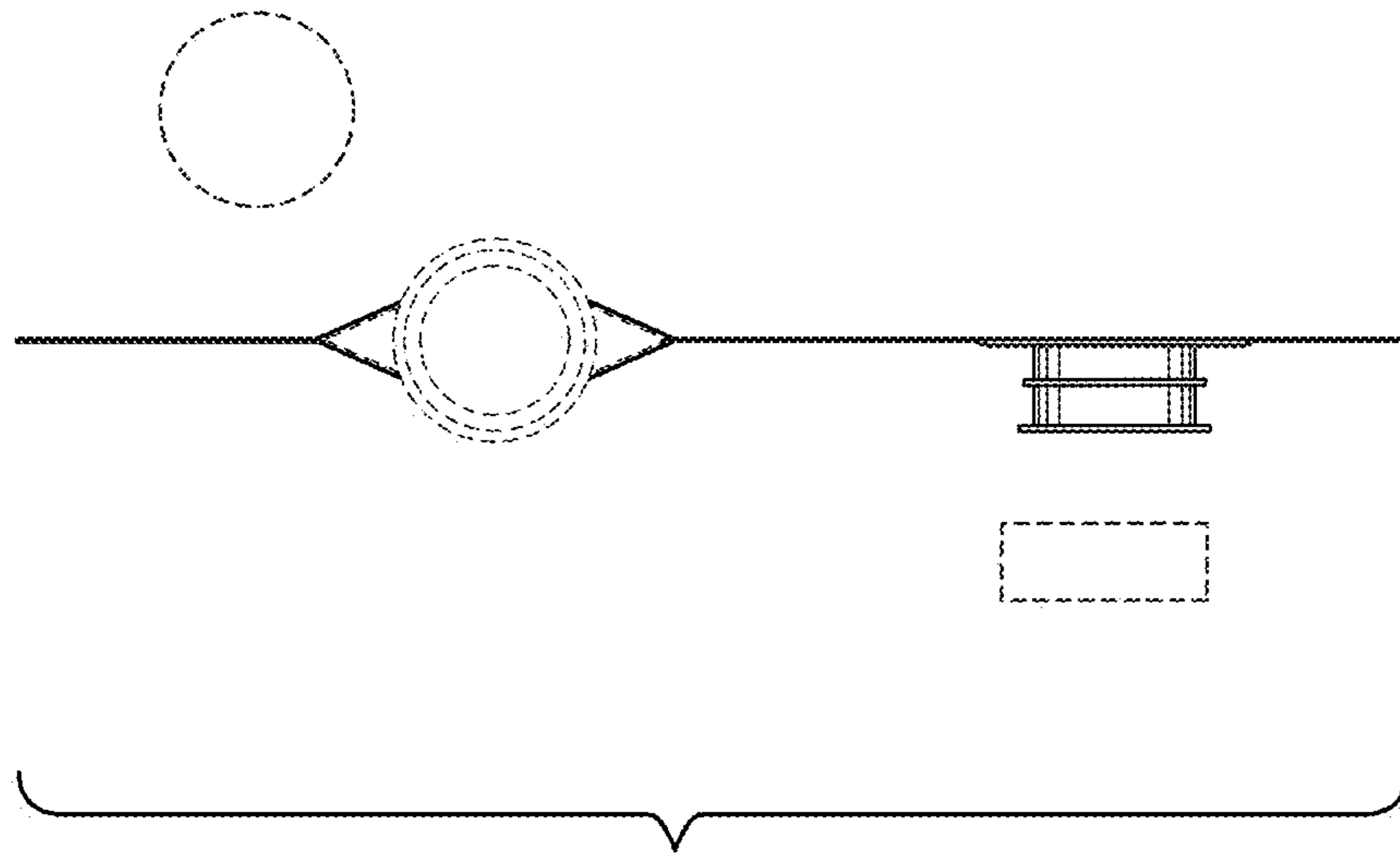


FIG. 6

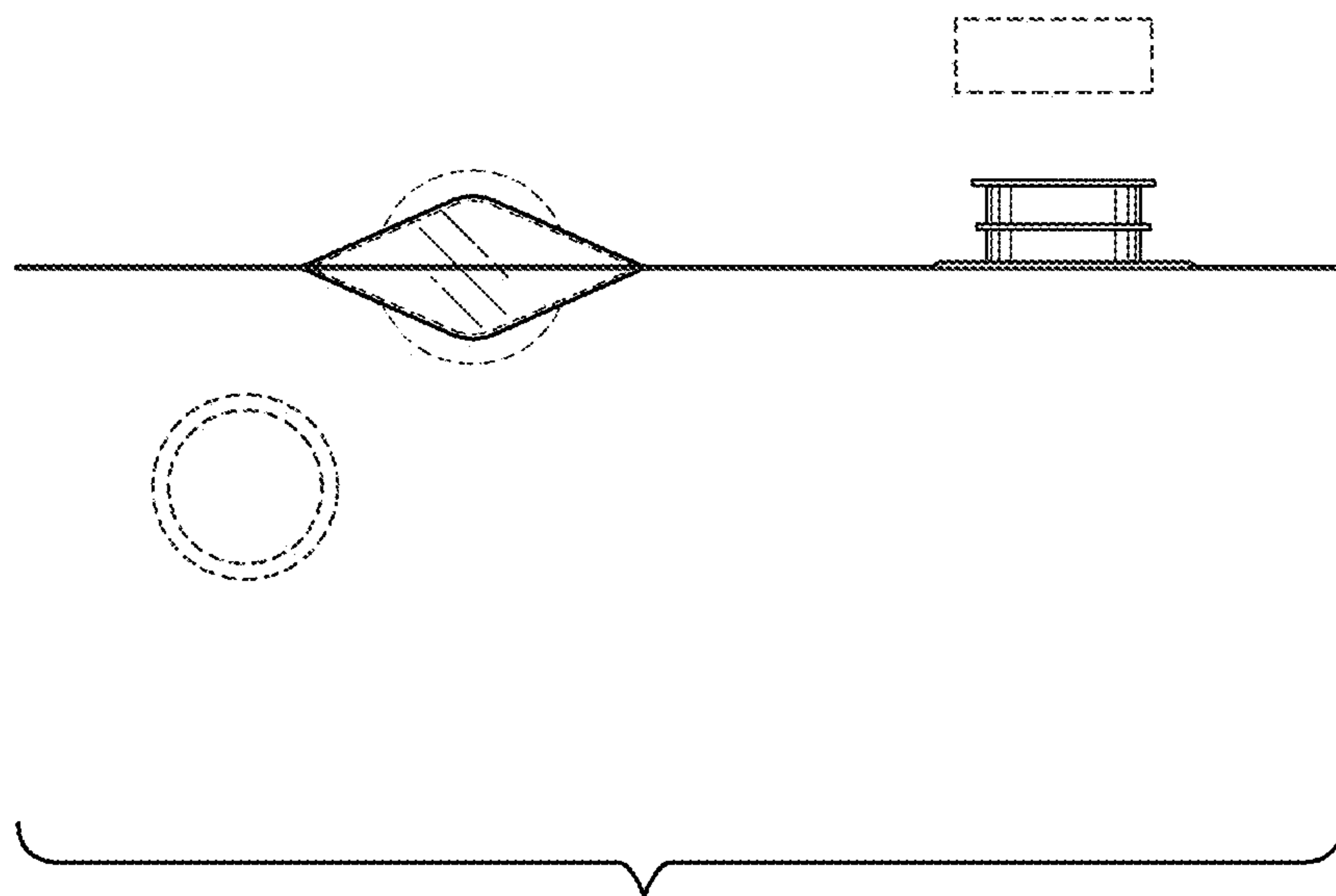


FIG. 7

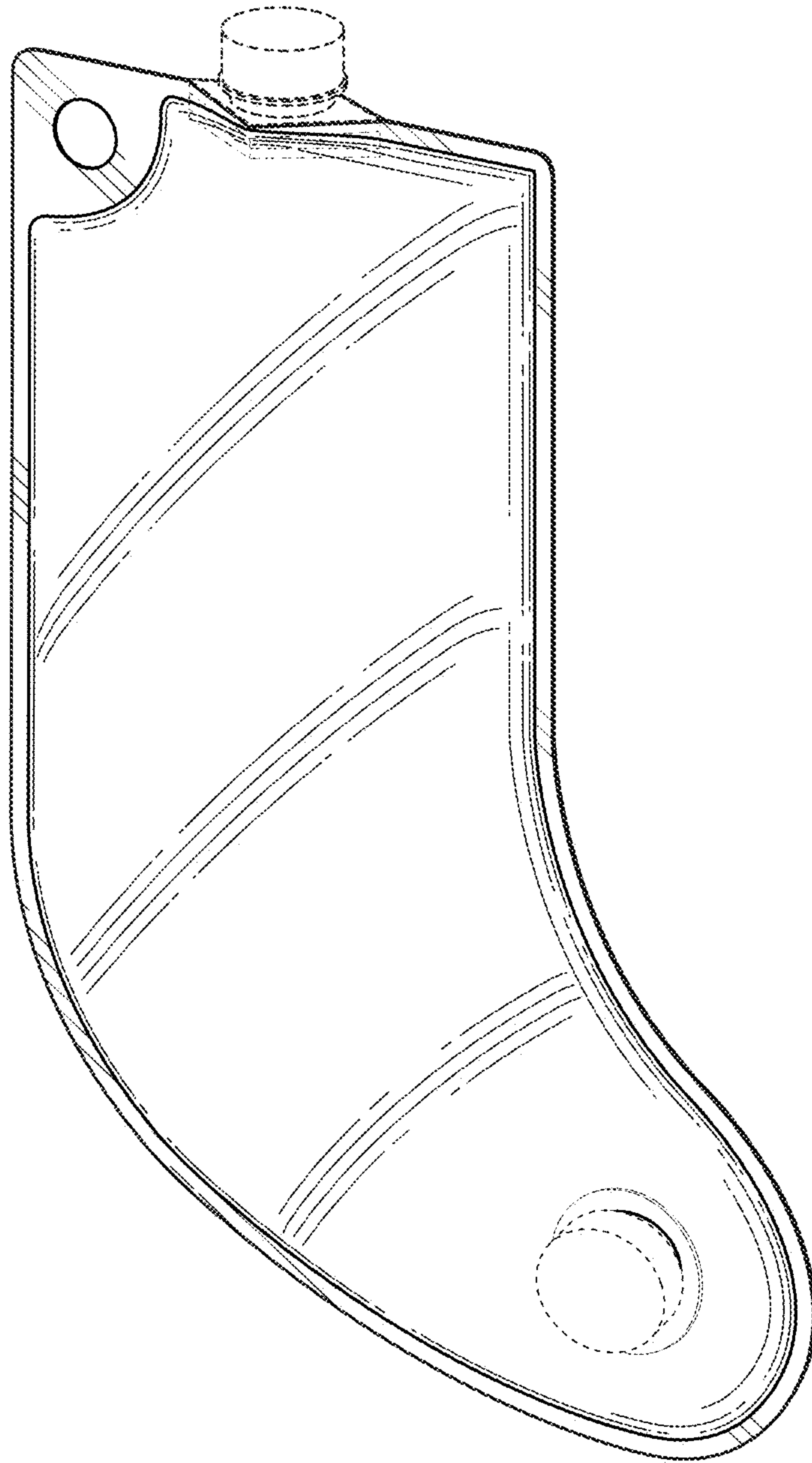


FIG. 8

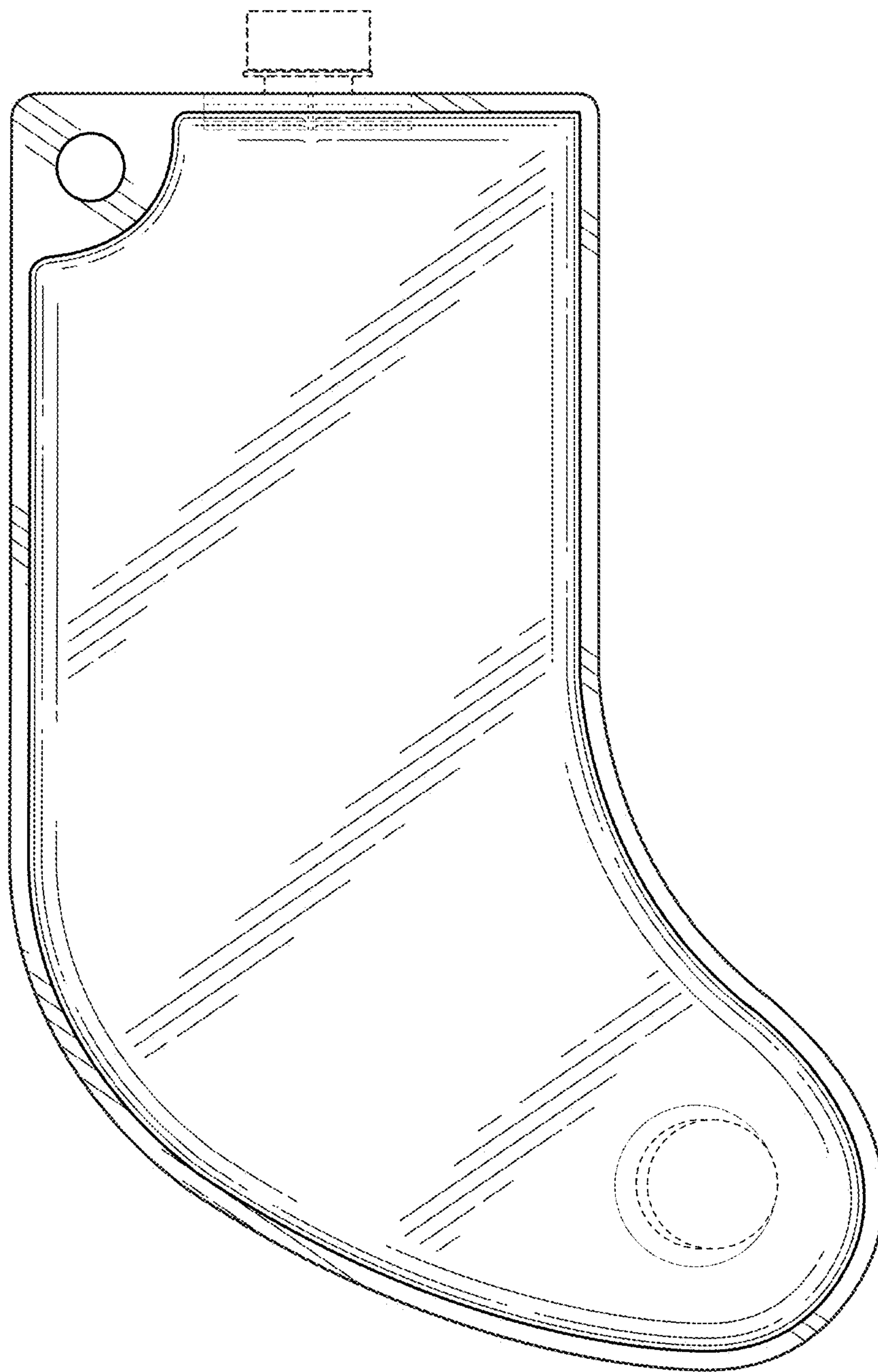


FIG. 9

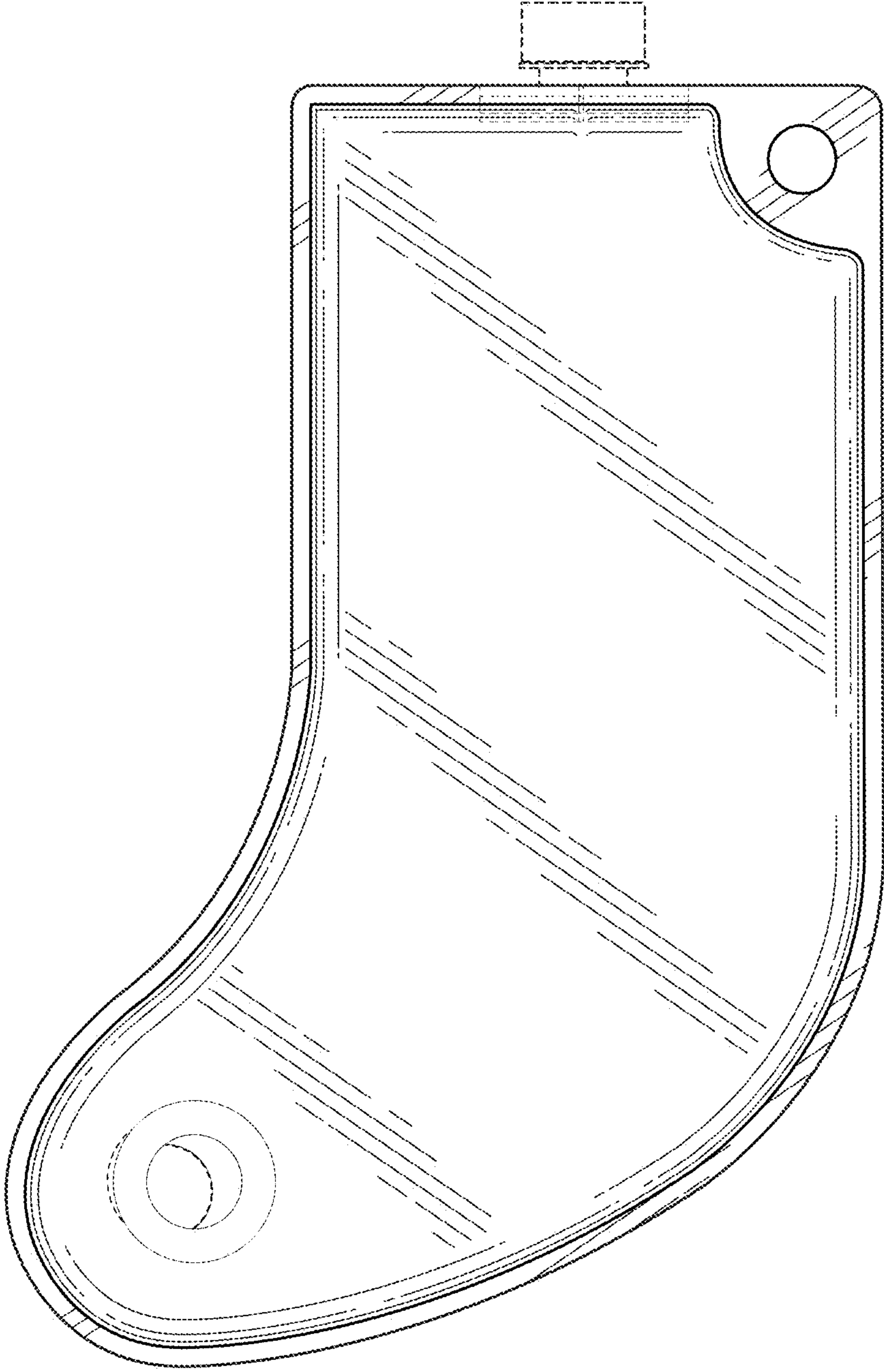


FIG. 10

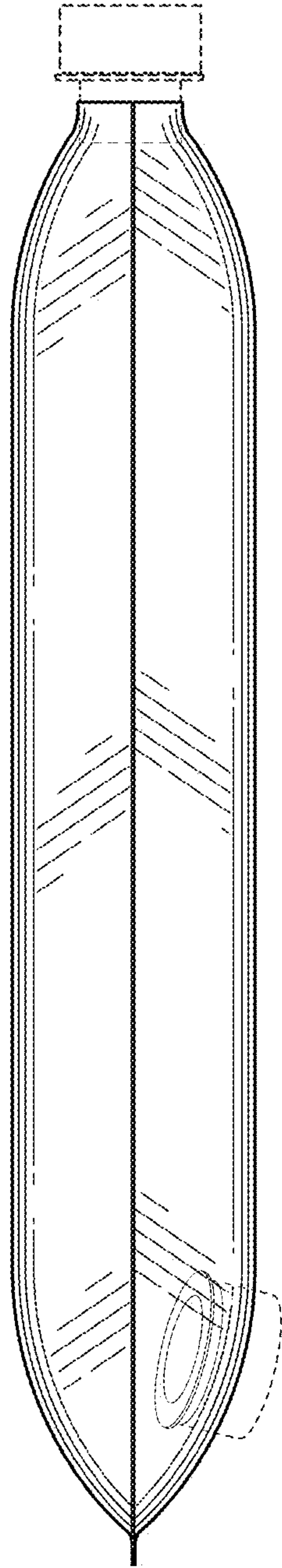


FIG. 11

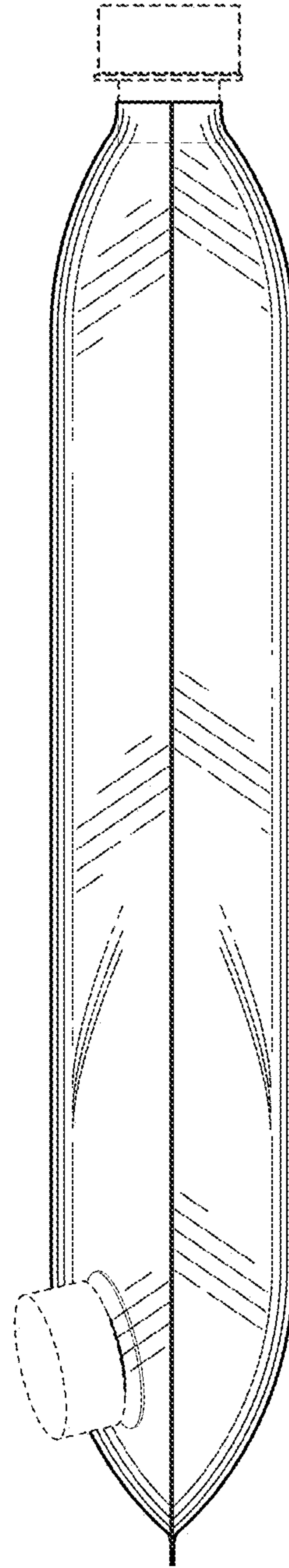


FIG. 12

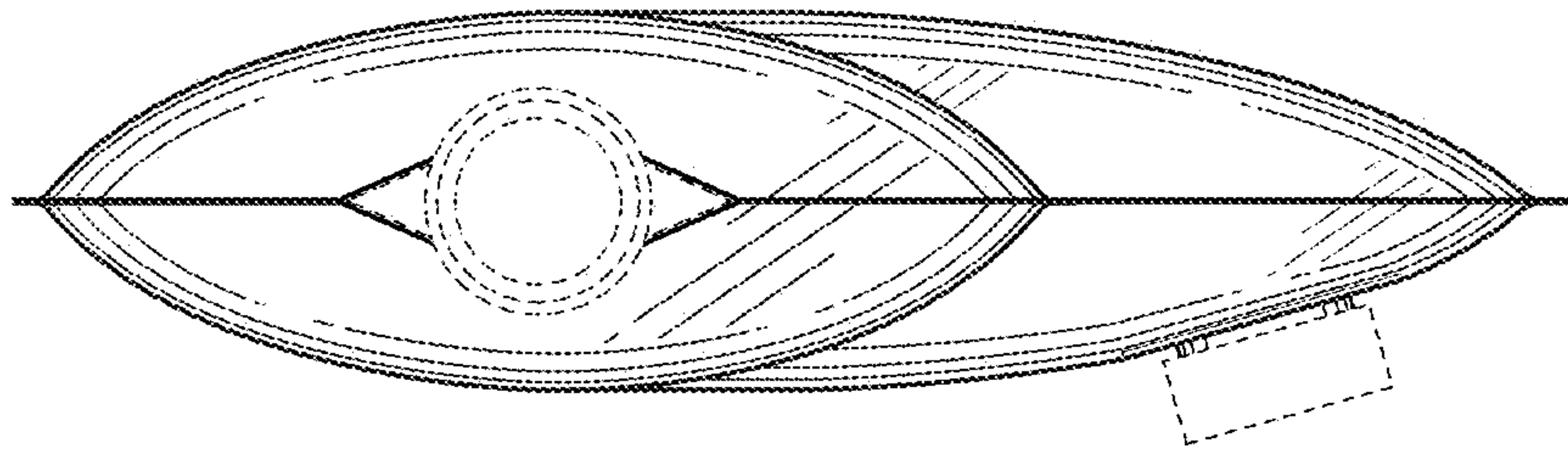


FIG. 13

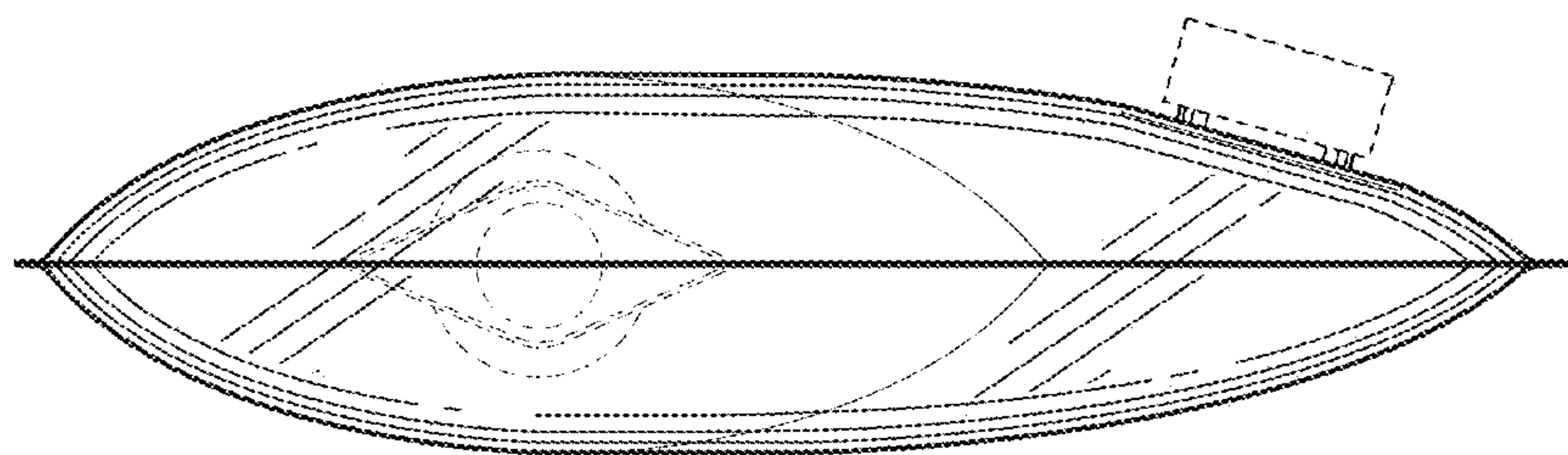


FIG. 14