



US00D751846S

(12) **United States Design Patent**
Schweikarth

(10) **Patent No.:** **US D751,846 S**
(45) **Date of Patent:** **** Mar. 22, 2016**

(54) **CHAIR**
(71) Applicant: **Kimball International, Inc.**, Jasper, IN (US)
(72) Inventor: **Derek Schweikarth**, Celestine, IN (US)
(73) Assignee: **Kimball International, Inc.**, Jasper, IN (US)
(**) Term: **14 Years**

D181,670 S 12/1957 Paul
D181,844 S 1/1958 Frey
D181,845 S 1/1958 Frey
2,822,861 A 2/1958 Parent
2,843,195 A 7/1958 Barvaeus
2,849,729 A 9/1958 Goodey, Jr. et al.
D184,081 S 12/1958 Belz
D188,049 S 5/1960 Galloway
3,002,787 A 10/1961 Ziegenfuss
3,074,762 A 1/1963 Kris
3,118,704 A 1/1964 Meserve
3,127,216 A 3/1964 Clouse

(Continued)

(21) Appl. No.: **29/491,746**

FOREIGN PATENT DOCUMENTS

(22) Filed: **May 23, 2014**

BR MU8801543-2 2/2010
RU 2 231 965 7/2004

(51) **LOC (10) Cl.** **06-01**

(52) **U.S. Cl.**
USPC **D6/716; D6/364; D6/366**

OTHER PUBLICATIONS

(58) **Field of Classification Search**
USPC D6/334–336, 364, 366, 374, 716, 716.1,
D6/716.2, 716.4, 717, 365
CPC A47C 4/02; A47C 7/18; A47C 7/24;
A47C 7/54; A47C 3/16
See application file for complete search history.

Teknion “dna” Product Information, at least as early as Jun. 11, 2010.

(Continued)

Primary Examiner — Mimosa De

(74) *Attorney, Agent, or Firm* — Faegre Baker Daniels LLP

(56) **References Cited**

(57) **CLAIM**

U.S. PATENT DOCUMENTS

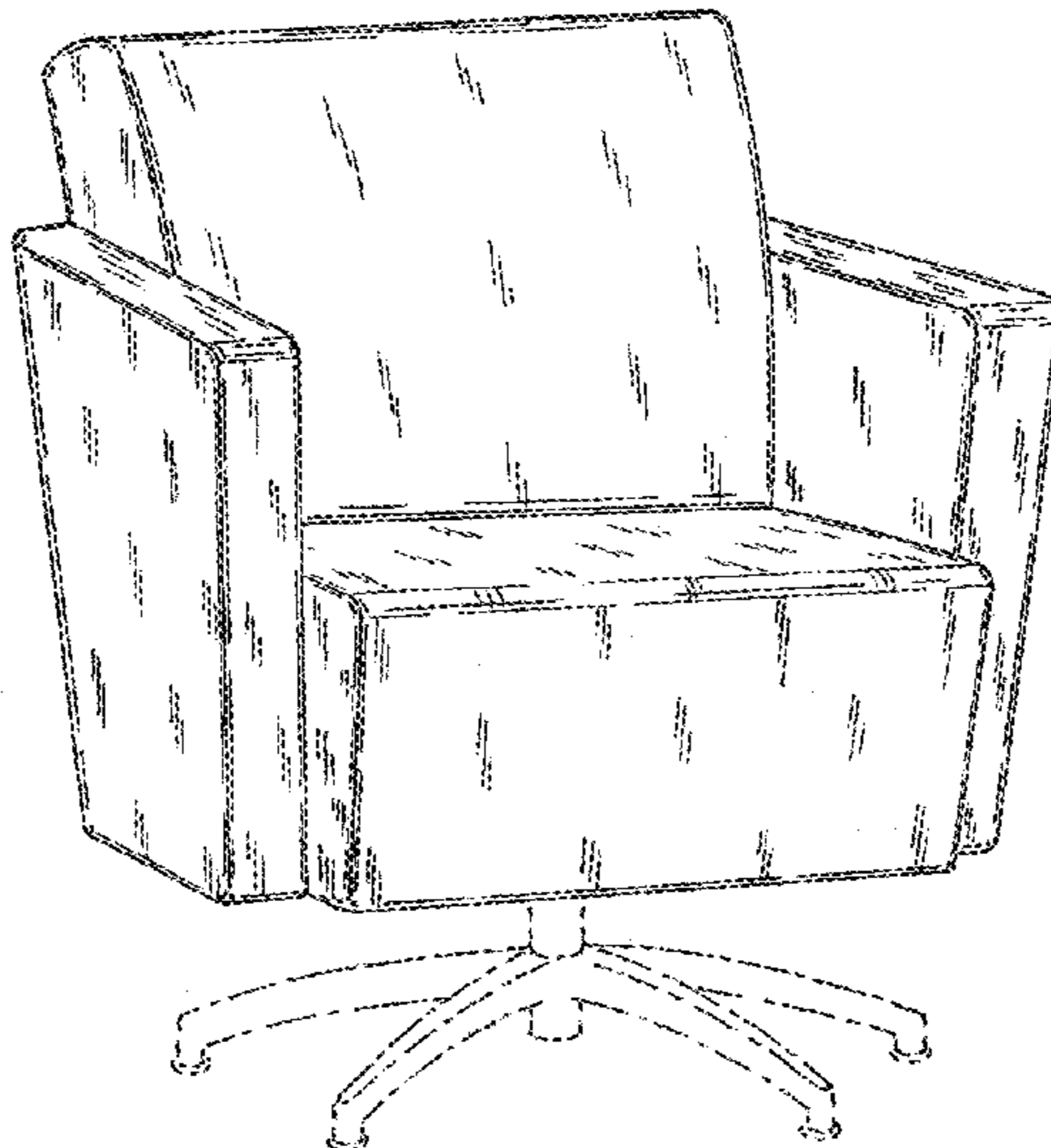
The ornamental design for a chair, as shown.

219,589 A 9/1879 Mayo
797,826 A 8/1905 Sherman, Jr.
1,648,717 A 11/1927 Blitz et al.
1,890,102 A 12/1932 Urquhart
2,164,715 A 7/1939 Krainbill
D130,795 S 12/1941 Eppenstein
D132,876 S 6/1942 Cooper
D155,624 S 10/1949 Pahlmann
D156,857 S 1/1950 Wallance
D162,426 S 3/1951 Michelson
2,586,595 A 2/1952 Ashby
2,696,870 A 12/1954 Mende
D177,215 S 3/1956 Collins
D180,137 S 4/1957 Del Giudice
2,793,685 A 5/1957 Spitz

DESCRIPTION

FIG. 1 is a front perspective view of a design for a chair according to a first embodiment;
FIG. 2 is a front view thereof;
FIG. 3 is a right side view thereof;
FIG. 4 is left side view thereof;
FIG. 5 is a rear view thereof; and,
FIG. 6 is a top view thereof.
Features shown in broken lines form no part of the claimed design.

1 Claim, 3 Drawing Sheets



(56)

References Cited

U.S. PATENT DOCUMENTS

3,137,012	A	6/1964	Halterman	
D199,788	S	12/1964	Pearl	
D204,374	S	* 4/1966	Bergstrom	D6/364
3,328,810	A	7/1967	Berman	
D212,878	S	12/1968	Müller et al.	
D214,041	S	5/1969	Shoemaker	
3,528,096	A	9/1970	Moberg	
3,568,967	A	3/1971	Furtak et al.	
3,638,997	A	2/1972	Shapiro et al.	
3,704,911	A	* 12/1972	Milakovich	A47C 4/02 297/411.28
3,811,728	A	5/1974	Redemske	
3,893,729	A	7/1975	Sherman et al.	
D240,481	S	7/1976	Fister, Jr.	
D241,485	S	9/1976	Blodgee	
D241,795	S	10/1976	Fister, Jr.	
D242,304	S	11/1976	Petersilie	
3,990,741	A	11/1976	Snyder et al.	
4,019,779	A	4/1977	Hogan	
D246,023	S	10/1977	Hillman et al.	
D250,230	S	11/1978	Kotula	
D251,760	S	5/1979	Vandenbeuck	
D252,490	S	7/1979	Petersilie	
D253,261	S	10/1979	Webster	
D253,326	S	11/1979	Brukoff	
4,212,090	A	7/1980	Ehrlich	
4,262,962	A	4/1981	Yust	
D259,601	S	6/1981	Marks	
D261,953	S	11/1981	Aronowitz et al.	
D261,954	S	11/1981	Aronowitz et al.	
D262,163	S	12/1981	Aronowitz et al.	
D262,164	S	12/1981	Aronowitz et al.	
D262,166	S	12/1981	Aronowitz et al.	
D262,421	S	12/1981	Aronowitz et al.	
D264,026	S	4/1982	Mascheroni	
D270,403	S	9/1983	Matthias	
D273,156	S	3/1984	Dubbin et al.	
D273,253	S	4/1984	Dubbin et al.	
D273,254	S	4/1984	Fairaizen	
4,455,008	A	6/1984	MacKew	
D281,655	S	12/1985	Carter	
4,563,040	A	1/1986	Alster	
D282,423	S	2/1986	Carter	
D284,142	S	6/1986	Raftery	
D284,428	S	7/1986	Raftery	
D289,466	S	4/1987	Leib	
D290,559	S	6/1987	Raftery	
D290,788	S	7/1987	Raftery	
D298,784	S	12/1988	Friedman	
4,938,401	A	7/1990	Weisbrodt et al.	
D311,283	S	10/1990	Warren	
4,962,964	A	10/1990	Snodgrass	
D313,893	S	1/1991	Hopfer	
D327,174	S	6/1992	Hopfer	
D336,172	S	6/1993	Gibson	
D336,377	S	6/1993	Gibson	
D337,002	S	7/1993	Gibson	
D338,567	S	8/1993	Hutton	
5,255,958	A	10/1993	Frischmann	
D355,981	S	3/1995	Kim	
D379,269	S	* 5/1997	Hutton	D6/334
D382,124	S	8/1997	Chandler	
D386,622	S	11/1997	Kelley et al.	
D388,628	S	1/1998	Hutton	
D390,017	S	2/1998	Lewis	
D410,350	S	6/1999	Stangl	
5,957,530	A	9/1999	Gutgsell	
5,971,487	A	10/1999	Passehl	
D422,810	S	4/2000	Rasp	
D426,724	S	6/2000	Stangl	
D427,448	S	7/2000	Natuzzi et al.	
6,102,476	A	8/2000	May et al.	
6,142,559	A	11/2000	Sorel et al.	
6,179,381	B1	1/2001	Gevaert	
D439,432	S	3/2001	Hutton	
D441,224	S	5/2001	Scheper et al.	
6,260,903	B1	7/2001	von der Heyde	
6,343,835	B1	2/2002	Ledbetter	
D454,441	S	3/2002	Bermudez et al.	
6,412,862	B1	7/2002	Dickerson et al.	
6,447,067	B1	9/2002	Williams et al.	
6,536,841	B1	3/2003	Pearce et al.	
D476,819	S	7/2003	Williams et al.	
6,616,228	B2	9/2003	Heidmann	
D480,883	S	10/2003	Williams et al.	
D482,535	S	11/2003	Williams et al.	
D482,536	S	11/2003	Williams et al.	
6,669,301	B1	12/2003	Funk et al.	
6,683,394	B1	1/2004	Gevaert	
D486,314	S	* 2/2004	Natuzzi	D6/365
D487,998	S	4/2004	Natuzzi et al.	
D493,966	S	8/2004	Rach	
D495,893	S	9/2004	Ricci	
6,824,213	B2	11/2004	Skelly et al.	
6,824,220	B1	11/2004	Davison	
6,827,405	B1	12/2004	Roberts	
7,020,911	B2	4/2006	Oldham	
7,040,695	B2	5/2006	McClure	
D525,802	S	8/2006	Spear	
D527,922	S	9/2006	Shilling et al.	
7,131,699	B2	11/2006	Mulmed	
D538,549	S	3/2007	Spear	
7,213,885	B2	5/2007	White, III et al.	
D544,233	S	6/2007	Hutton	
D547,967	S	8/2007	Oldham	
D549,010	S	8/2007	Sorci	
D549,470	S	8/2007	Hutton	
D559,576	S	1/2008	Bauchet	
D563,112	S	3/2008	Swanson	
D572,932	S	7/2008	van Ierssel et al.	
7,419,220	B2	9/2008	White, III et al.	
D577,925	S	10/2008	Gomez	
D578,798	S	10/2008	Ricci	
D582,688	S	12/2008	Spear	
D583,578	S	12/2008	Swanson	
D583,585	S	12/2008	Weiss	
D584,524	S	1/2009	Ricci	
D585,200	S	1/2009	Lissoni	
D586,590	S	2/2009	Schweikarth et al.	
D590,623	S	4/2009	Natuzzi	
7,530,640	B2	5/2009	Walters et al.	
7,547,073	B2	6/2009	White, III et al.	
D595,980	S	7/2009	Walters	
D597,328	S	8/2009	Schweikarth et al.	
D600,031	S	* 9/2009	Natuzzi	D6/364
D600,032	S	* 9/2009	Natuzzi	D6/364
D600,037	S	9/2009	Natuzzi	
D601,825	S	10/2009	Starck	
D603,177	S	11/2009	Kubryk	
7,614,704	B2	11/2009	Whelan et al.	
D605,430	S	12/2009	Gharabegian	
D605,431	S	12/2009	Gharabegian	
D609,034	S	2/2010	Lissoni	
D613,960	S	4/2010	Griepentrog et al.	
D614,876	S	5/2010	Metcalf et al.	
D618,016	S	6/2010	Metcalf et al.	
D618,935	S	7/2010	Metcalf et al.	
7,770,965	B2	8/2010	Zwezdaryk	
D624,328	S	9/2010	Grandin et al.	
7,963,612	B2	6/2011	Nelson	
D643,643	S	8/2011	Lievore	
D645,672	S	9/2011	Lievore et al.	
D646,084	S	10/2011	Lievore et al.	
D646,499	S	10/2011	Metcalf et al.	
D647,715	S	11/2011	Kubryk	
8,075,054	B2	12/2011	Smith	
D654,284	S	2/2012	Messenger	
D656,327	S	3/2012	Metcalf et al.	
8,132,856	B2	3/2012	Wilson et al.	
D659,413	S	5/2012	Arko et al.	
D662,338	S	6/2012	Arko et al.	
D662,733	S	7/2012	Metcalf et al.	
D666,847	S	9/2012	Metcalf et al.	
D668,892	S	10/2012	Metcalf et al.	

(56)

References Cited

U.S. PATENT DOCUMENTS

D669,702	S	10/2012	Barefoot
D671,333	S	11/2012	Metcalf et al.
D671,341	S	11/2012	Metcalf et al.
D675,844	S	2/2013	Cramer et al.
D677,911	S	3/2013	Hamilton et al.
D680,347	S	4/2013	Metcalf et al.
D688,476	S	8/2013	Metcalf et al.
D695,038	S	12/2013	Metcalf et al.
2003/0107247	A1	6/2003	Wills et al.
2004/0070243	A1	4/2004	Cha
2004/0095019	A1	5/2004	Gevaert
2005/0140199	A1	6/2005	Kang et al.
2006/0273650	A1	12/2006	Embach
2009/0152915	A1	6/2009	Krasna et al.
2009/0184612	A1	7/2009	McClure
2009/0315381	A1	12/2009	Longnecker
2009/0315382	A1	12/2009	Nelson
2011/0012403	A1	1/2011	Wilson et al.
2011/0298340	A1	12/2011	Nelson et al.
2012/0200129	A1	8/2012	Wilson, Jr.

OTHER PUBLICATIONS

Turnstone “Lincoln” Product Information, at least as early as Jun. 11, 2010.
 Haworth “Tuxedo” Product Information, at least as early as Jun. 11, 2010.
 Keilhauer, Laughton Series “Grand” Product Information, at least as early as Jun. 11, 2010.

Martin Bratrud “Muirfield” Product Information, at least as early as Jun. 11, 2010.
 Teknion “Freesia” Product Information, at least as early as Jun. 11, 2010.
 National “Pennant” Product Information, at least as early as Jun. 11, 2010.
 Brandrud “Reflect” Product Information, at least as early as Jun. 11, 2010.
 Dar-Ran “Filmore” Product Information, at least as early as Jun. 11, 2010.
 Krug “Sloan” Product Information, at least as early as Jun. 11, 2010.
 Lowenstein “Cubic” Product Information, at least as early as Jun. 11, 2010.
 Gunlocke “New Yorker” Product Information, at least as early as Jun. 11, 2010.
 Coalesse “Palermo” Product Information, at least as early as Jun. 11, 2010.
 Bernhardt “B1” Product Information, at least as early as Jun. 11, 2010.
 Turnstone “Campfire” Product Information, at least as early as Jun. 11, 2010.
 Modular/Raven—ERG International, [online] Dated Nov. 16, 2011. ERG International, Product information for “Rola”, at least as early as Mar. 5, 2013.
 Bredtford, Product information for “Motiv”, at least as early as Mar. 5, 2013.
 Arcadia, Product information for “Achella Modular”, at least as early as Mar. 5, 2013.
 Kimball Office Furniture, Product Information for “Villa”, at least as early as Mar. 5, 2013.

* cited by examiner

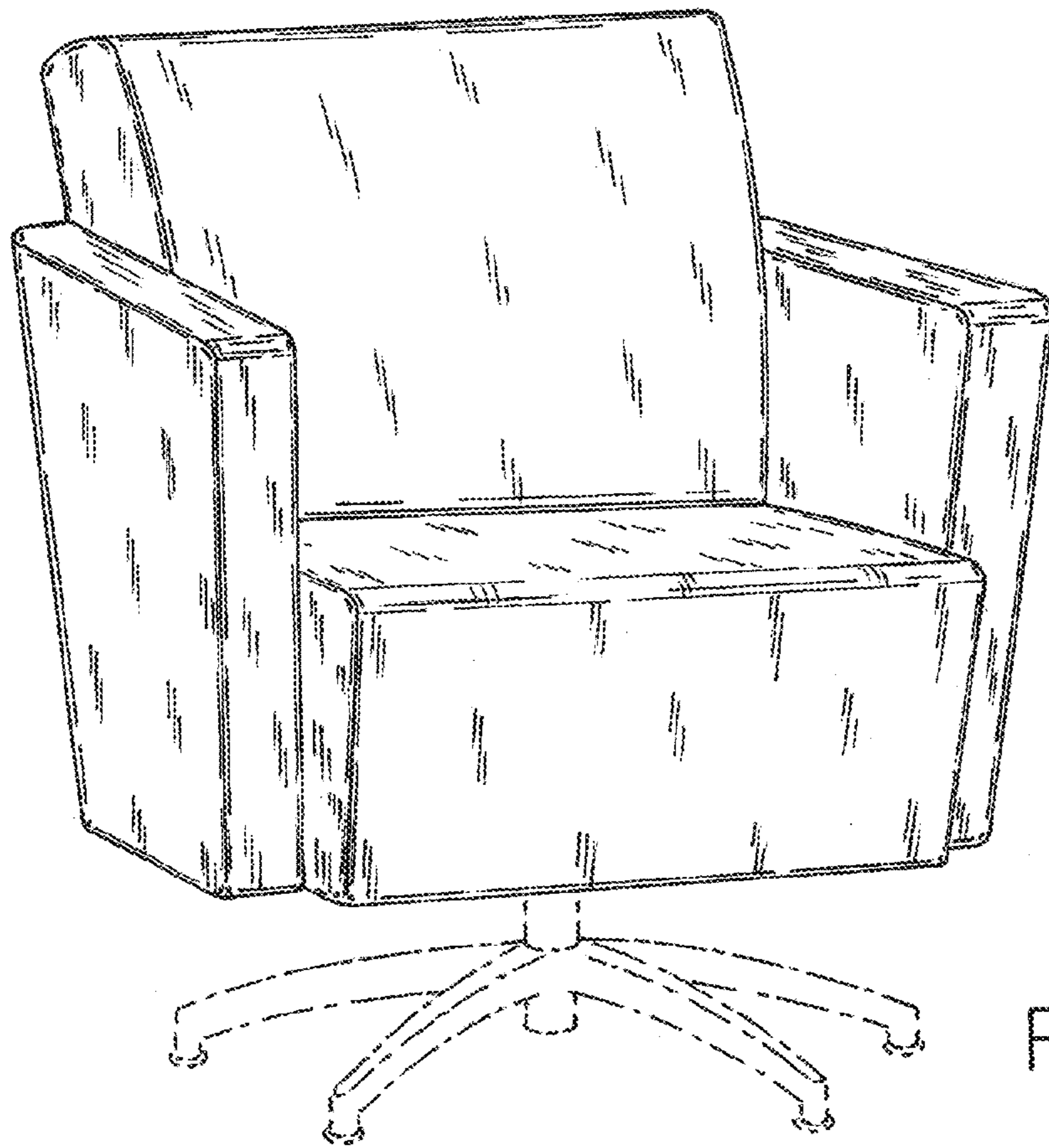


FIG. 1

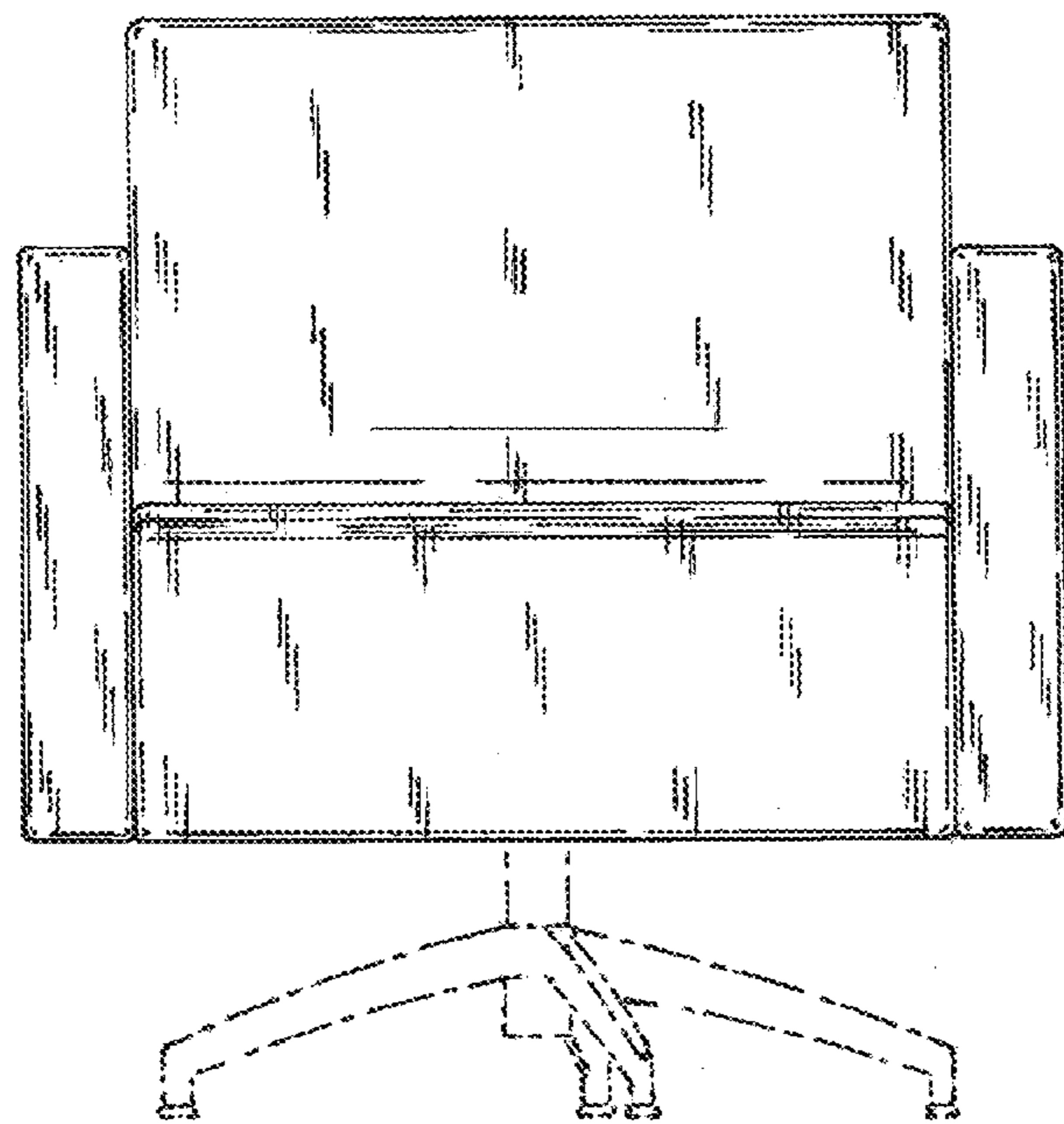


FIG. 2

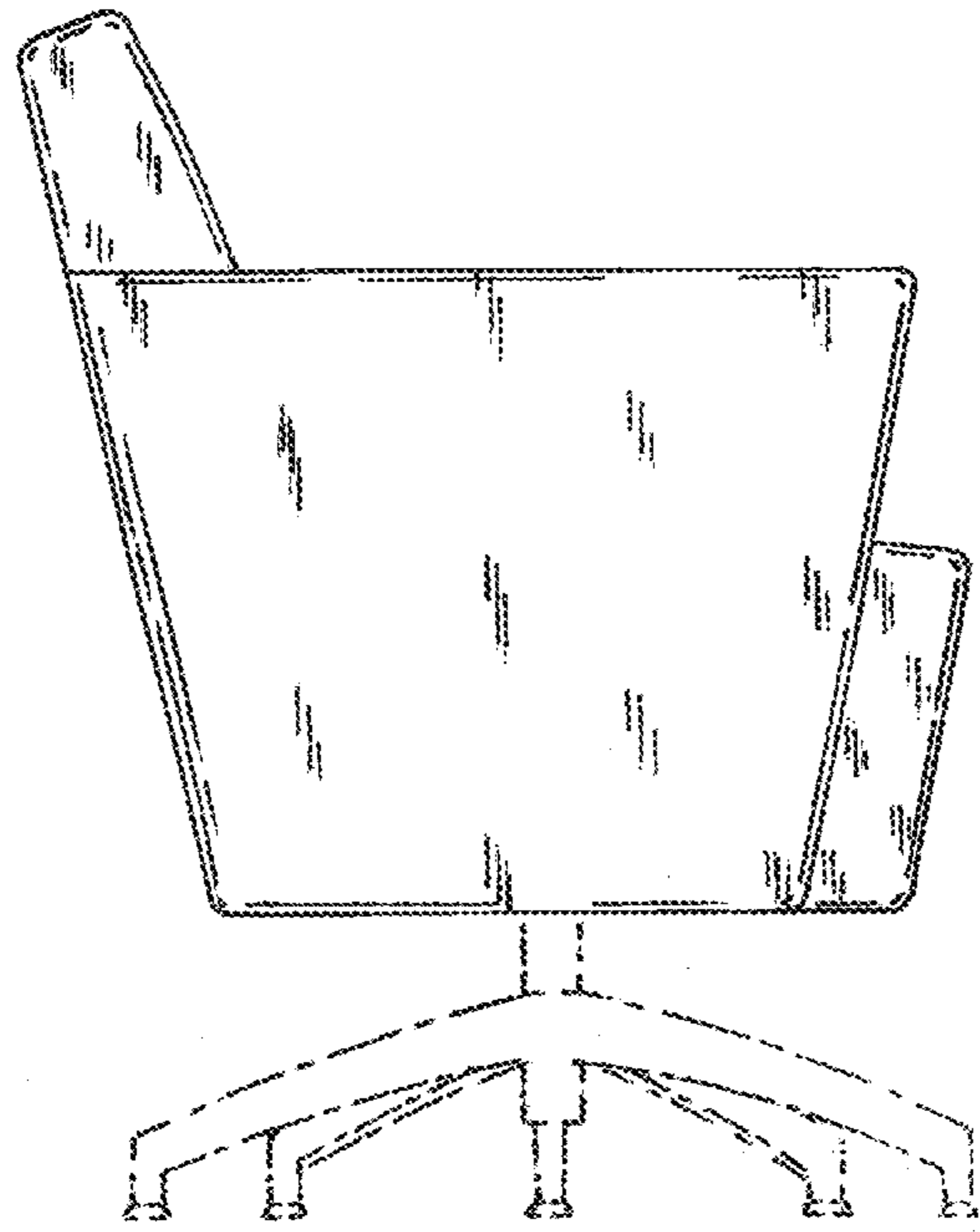


FIG. 3

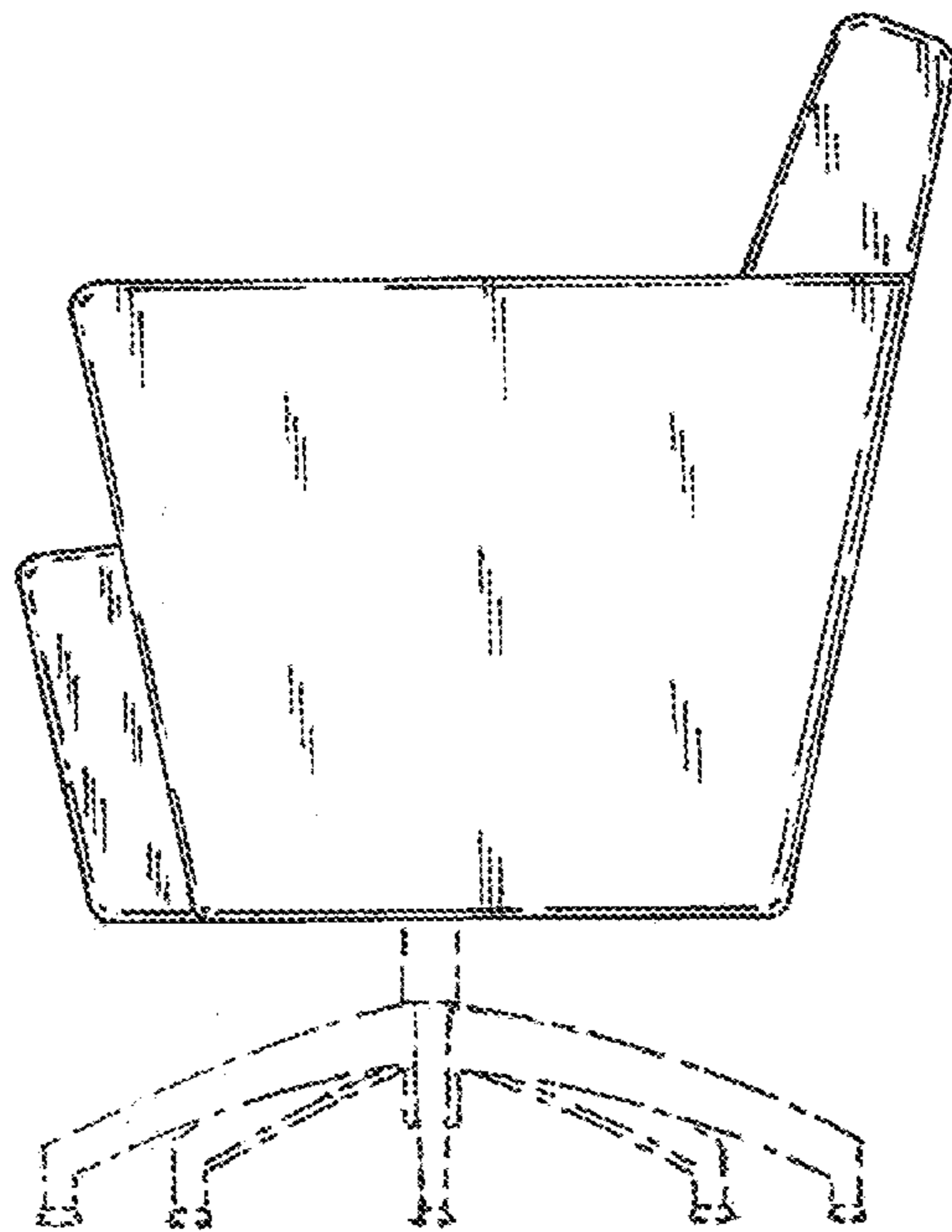


FIG. 4

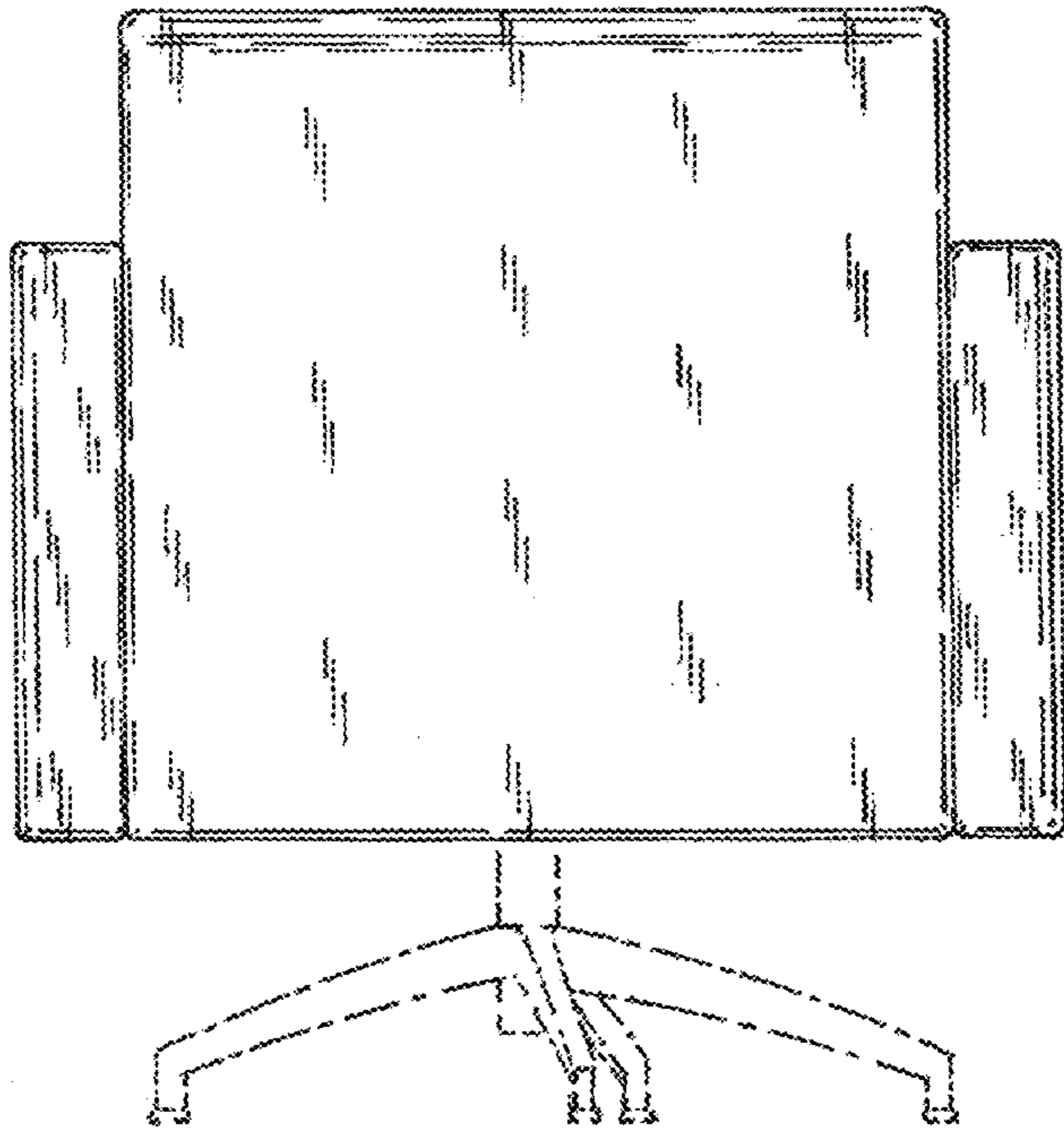


FIG. 5

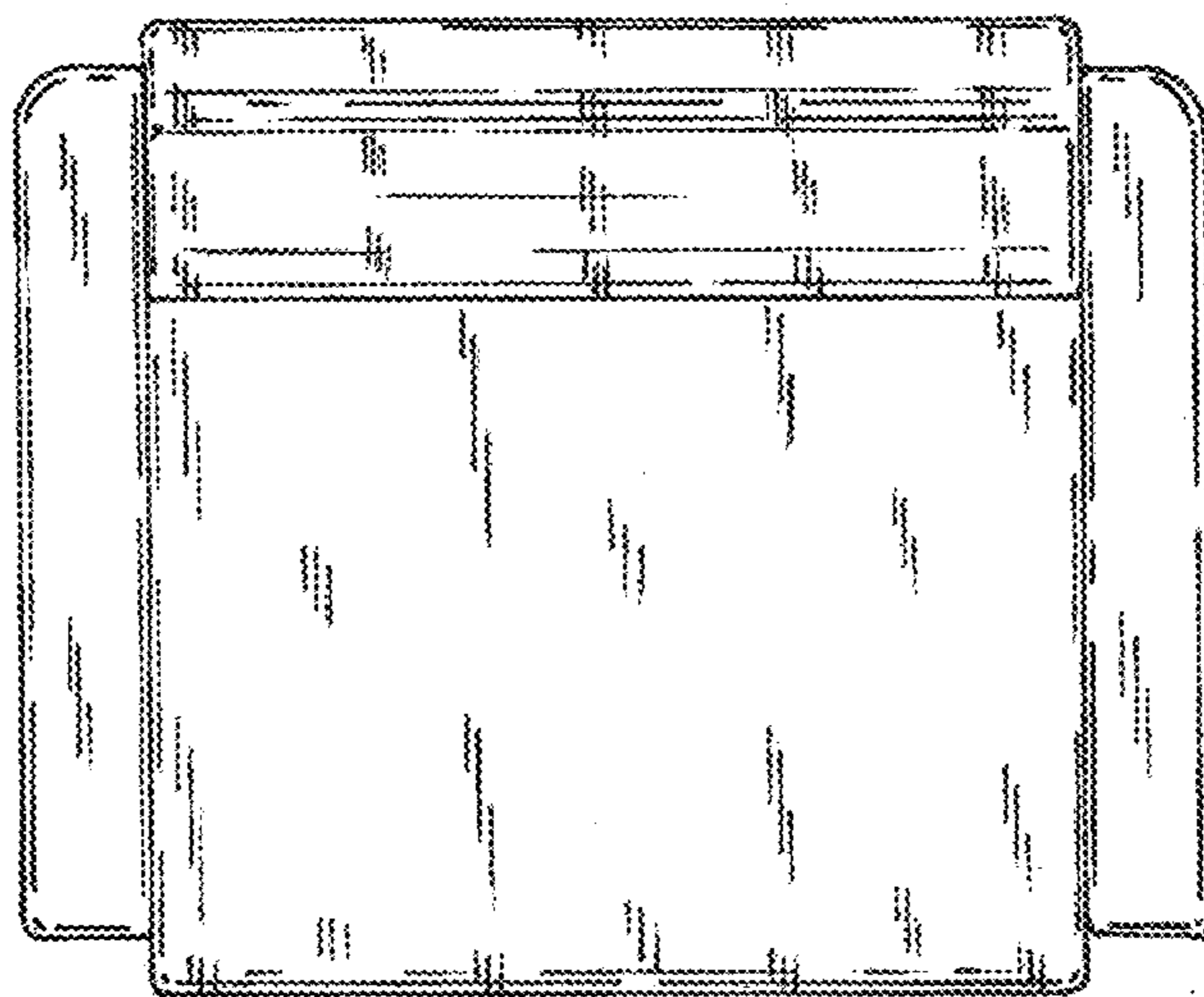


FIG. 6