



US00D751842S

(12) **United States Design Patent**  
**Boyajian**

(10) **Patent No.:** **US D751,842 S**  
(45) **Date of Patent:** **\*\* Mar. 22, 2016**

(54) **TELEVISION STAND**

*Primary Examiner* — Mimoso De

(71) Applicant: **Hrach Charles Boyajian**, Winnetka, CA (US)

(57) **CLAIM**

The ornamental design for a television stand, as shown and described.

(72) Inventor: **Hrach Charles Boyajian**, Winnetka, CA (US)

(\*\*) Term: **14 Years**

**DESCRIPTION**

(21) Appl. No.: **29/494,045**

FIG. 1 is a perspective view of a television stand;  
FIG. 2 is a front elevational view thereof;  
FIG. 3 is a rear elevational view thereof;  
FIG. 4 is a right-side elevational view thereof;  
FIG. 5 is a left-side elevational view thereof;  
FIG. 6 is a top plan view thereof;  
FIG. 7 is a bottom plan view thereof;  
FIG. 8 is a perspective view of a first embodiment for the television stand, wherein the first embodiment has two drawers that share a front glass panel; and,  
FIG. 9 is a perspective view of a second embodiment for the television stand, wherein the second embodiment has a sectioned internal compartment that share a front glass panel; and,  
FIG. 10 is a cross sectional perspective view of the present invention, shown without the front door panel, showing the depth of the recess on the left and right side of the design.

(22) Filed: **Jun. 17, 2014**

(51) **LOC (10) Cl.** ..... **06-04**

(52) **U.S. Cl.**  
USPC ..... **D6/663**; D6/661

(58) **Field of Classification Search**  
USPC ..... D6/560, 657, 661, 663, 671, 671.1,  
D6/671.2, 705, 705.1; D3/296, 297  
CPC ..... A47F 3/00; A47F 3/005; A47B 17/04;  
A47B 47/03; A47B 67/04  
See application file for complete search history.

(56) **References Cited**

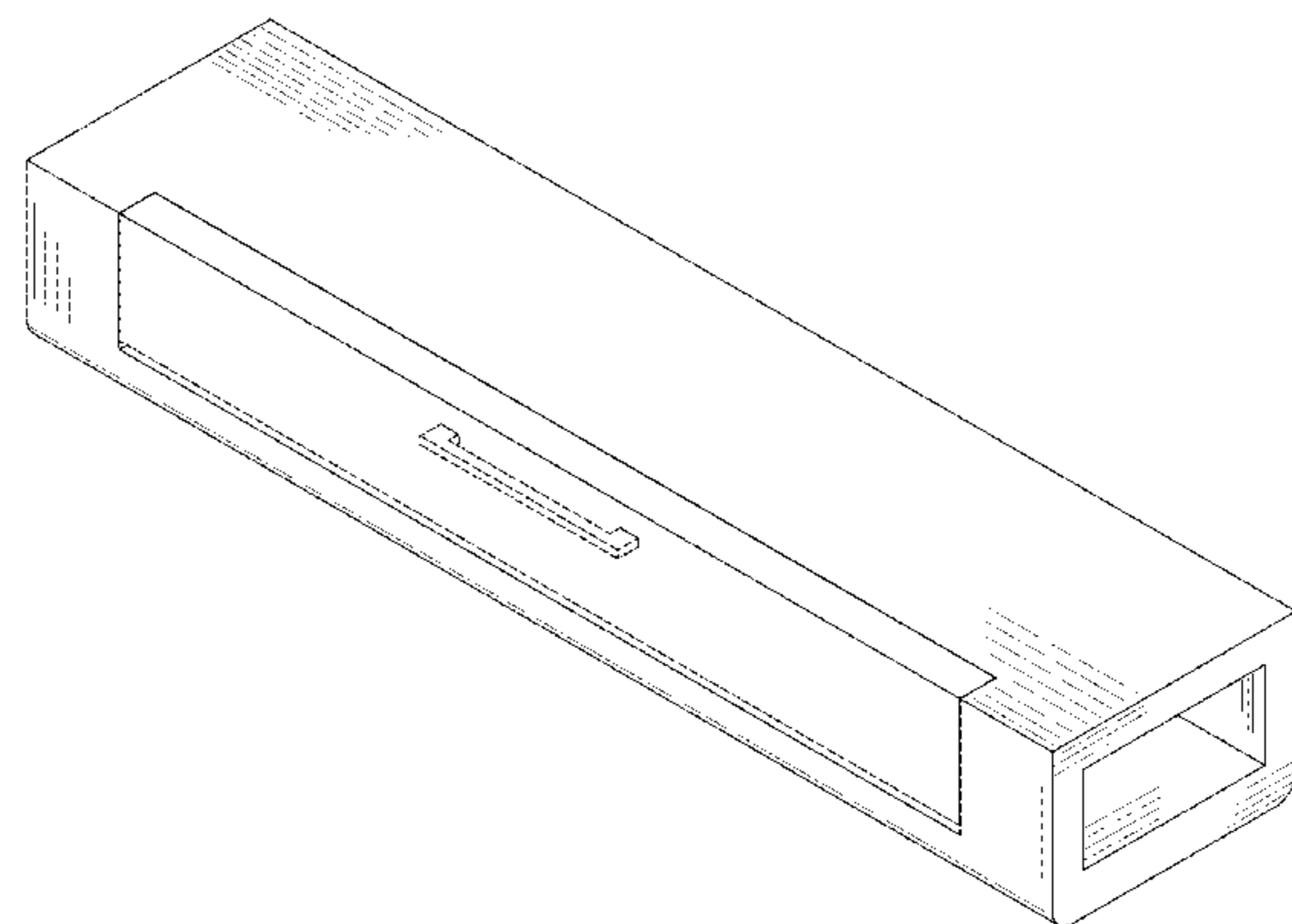
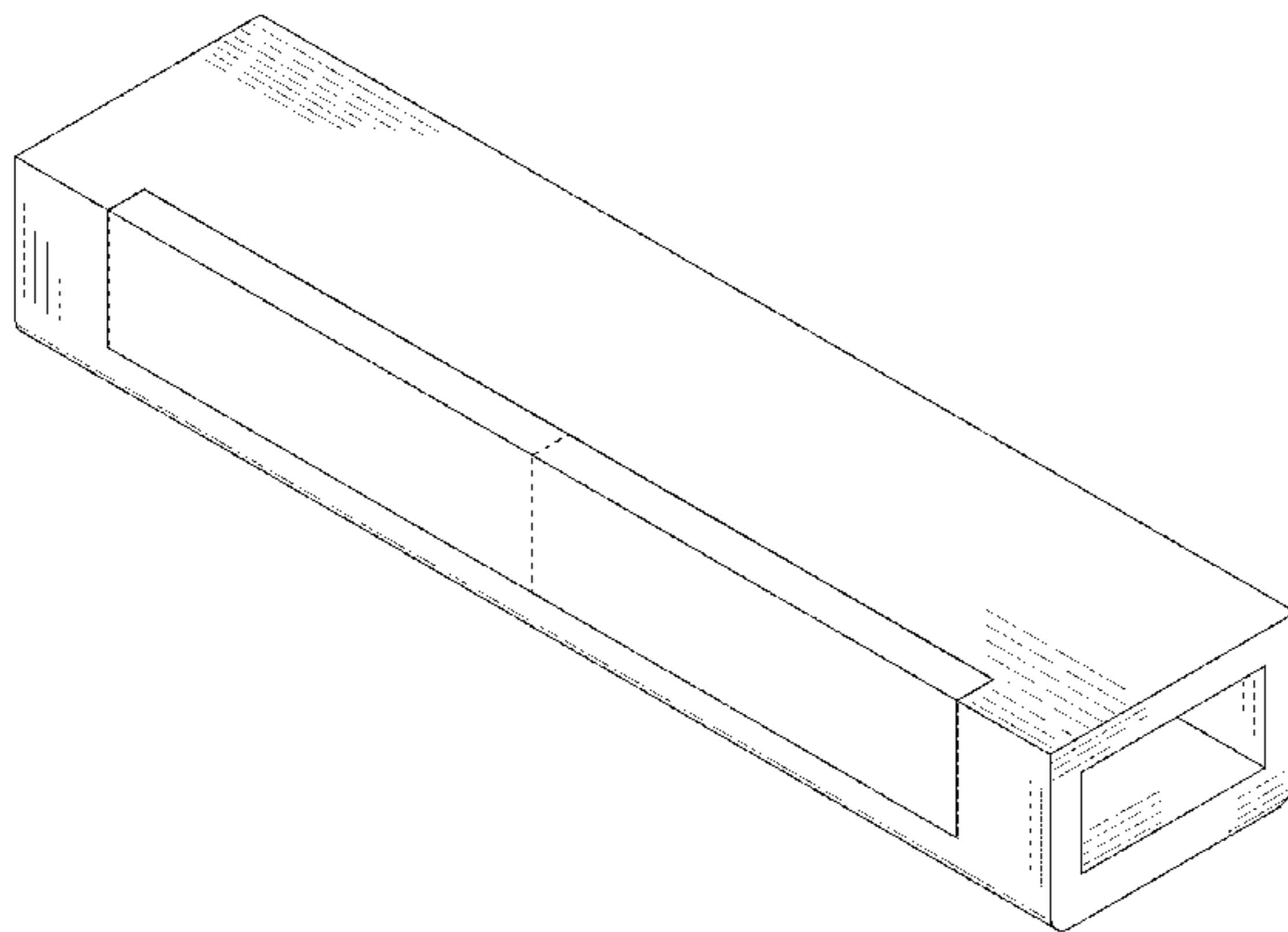
U.S. PATENT DOCUMENTS

D241,100 S *	8/1976	Vrignaud	.....	D6/560
D263,777 S *	4/1982	Thompson	.....	D6/663
D277,816 S *	3/1985	Kleinert	.....	D3/297
D288,877 S *	3/1987	Koopman	.....	D6/671.1
D366,973 S *	2/1996	Miller	.....	D6/560
D414,633 S *	10/1999	Patel	.....	D6/705.1
D719,768 S *	12/2014	Haygood	.....	D6/671.1

\* cited by examiner

The broken line showing the division between the two drawers in FIG. 8 for the first embodiment and the broken line showing a handle and a hinge-receiving cavity in FIG. 9 for the second embodiment is included for the purpose of showing environmental structure and forms no part of the claimed design.

**1 Claim, 10 Drawing Sheets**



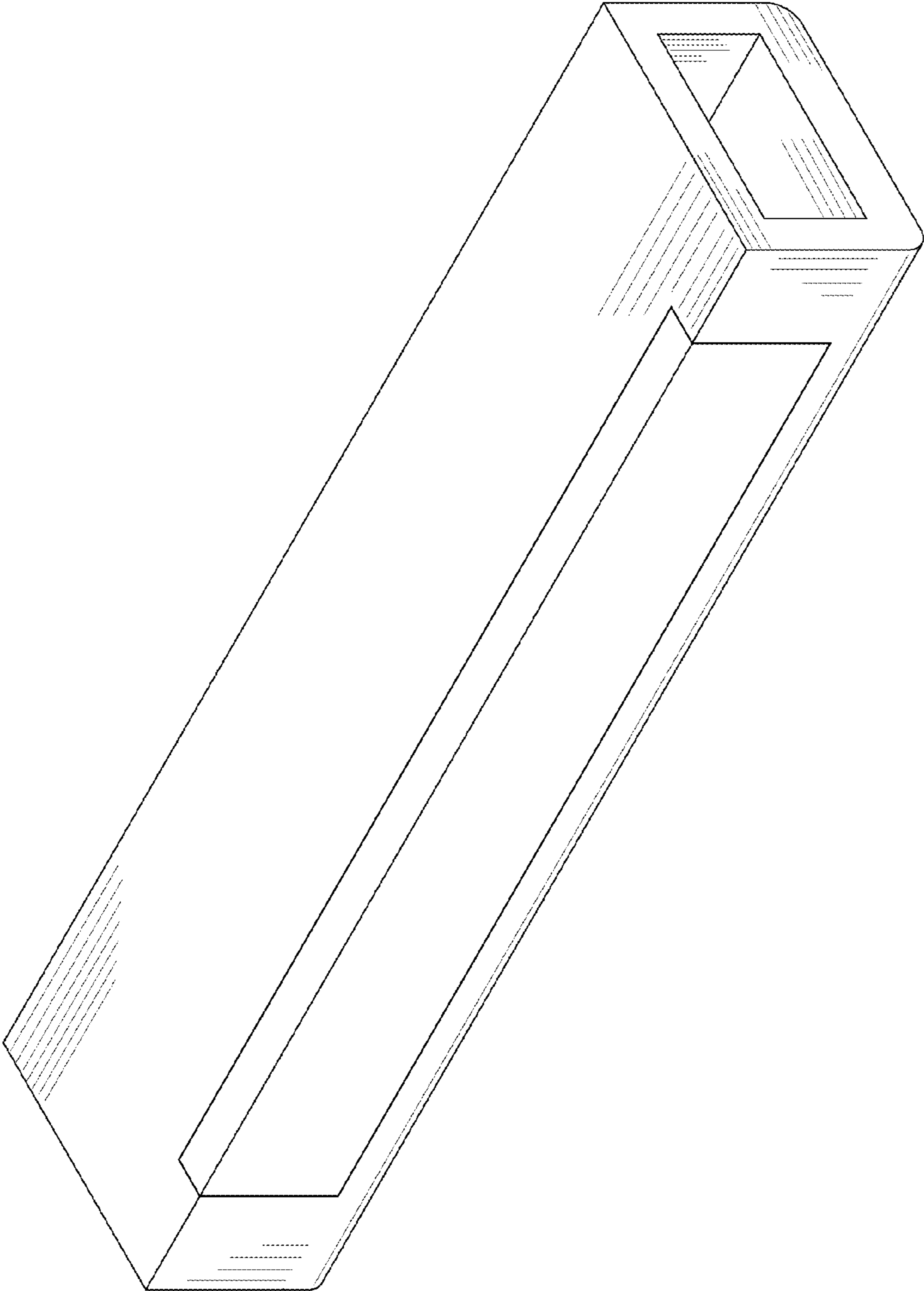


FIG. 1

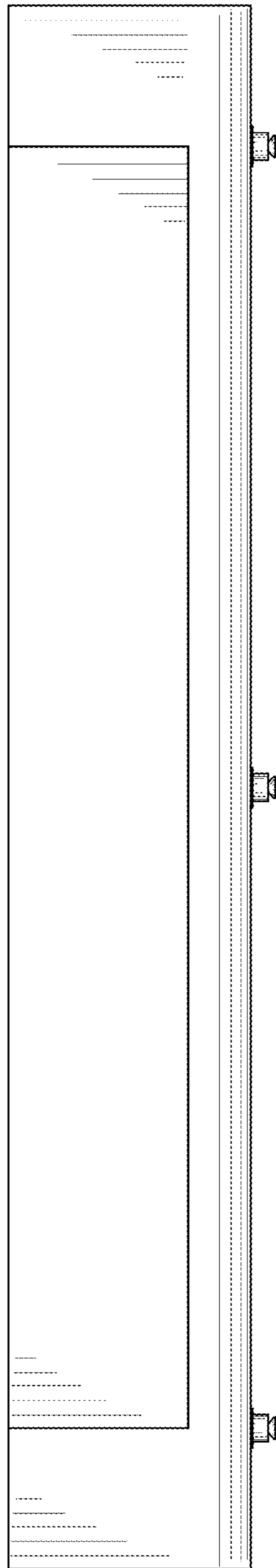


FIG. 2

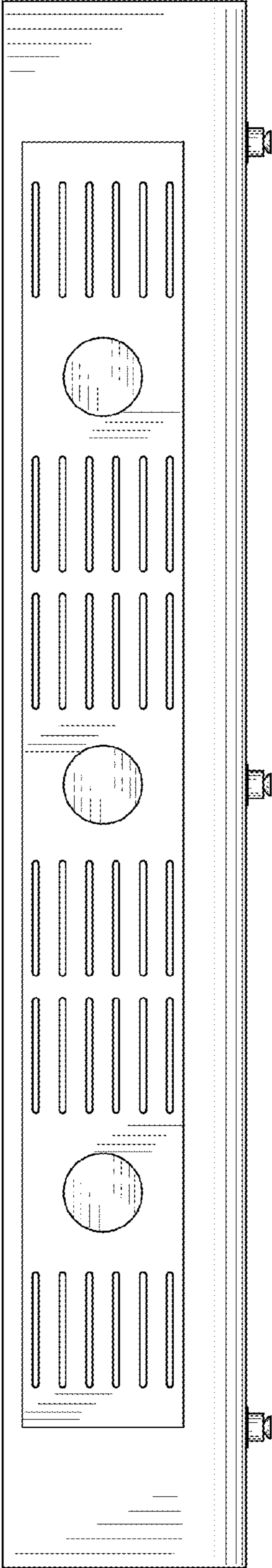


FIG. 3

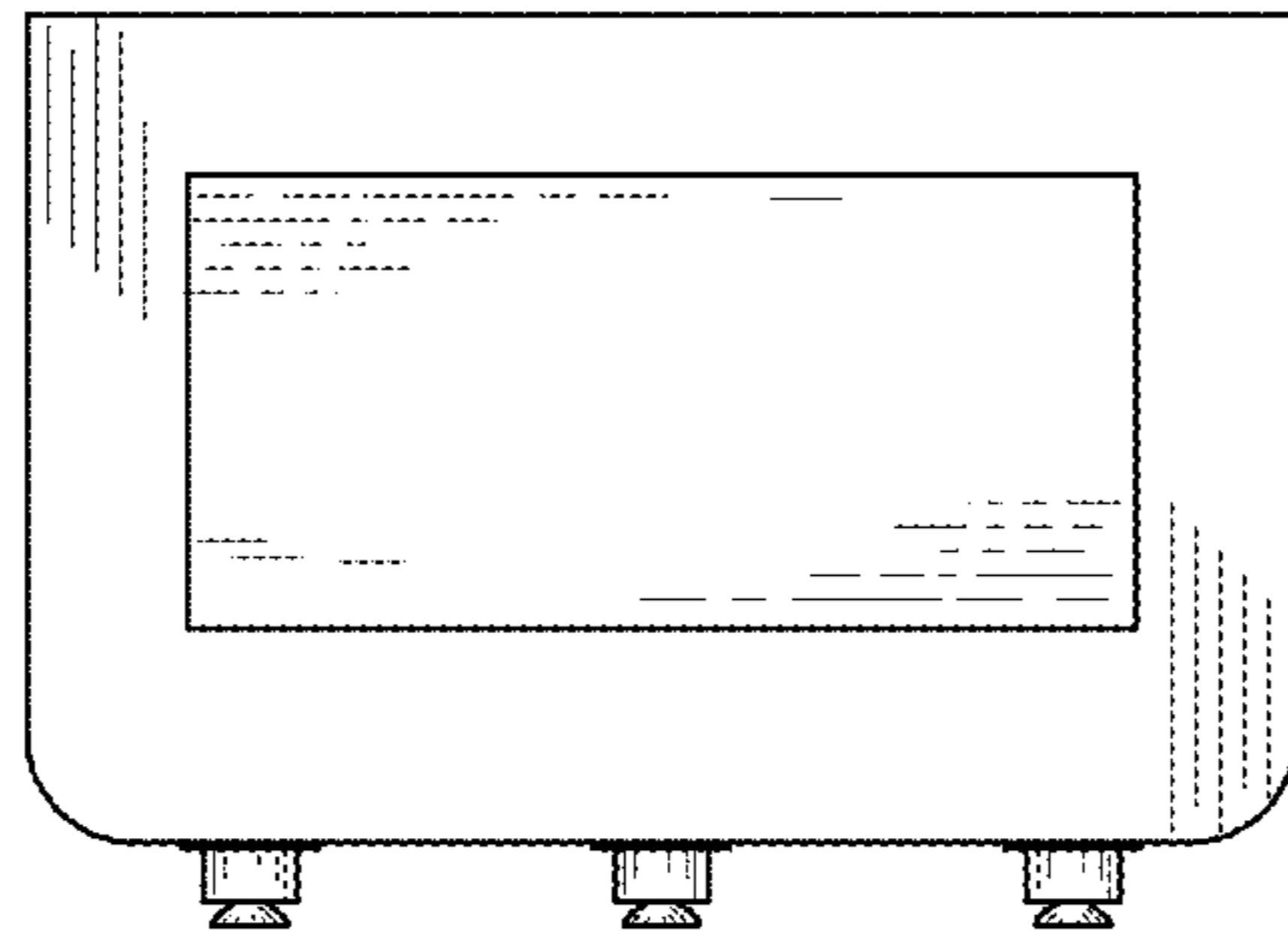


FIG. 4

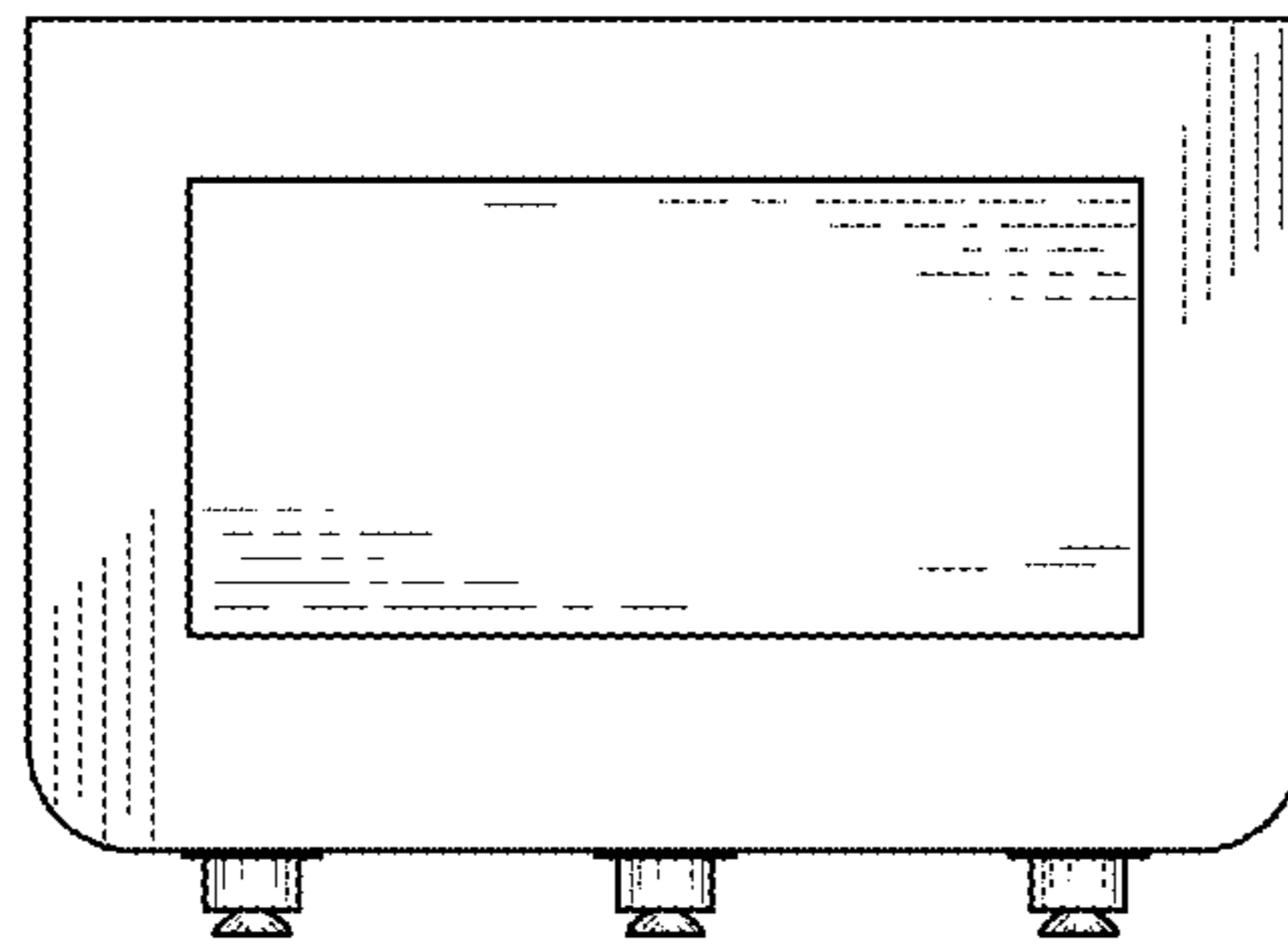


FIG. 5

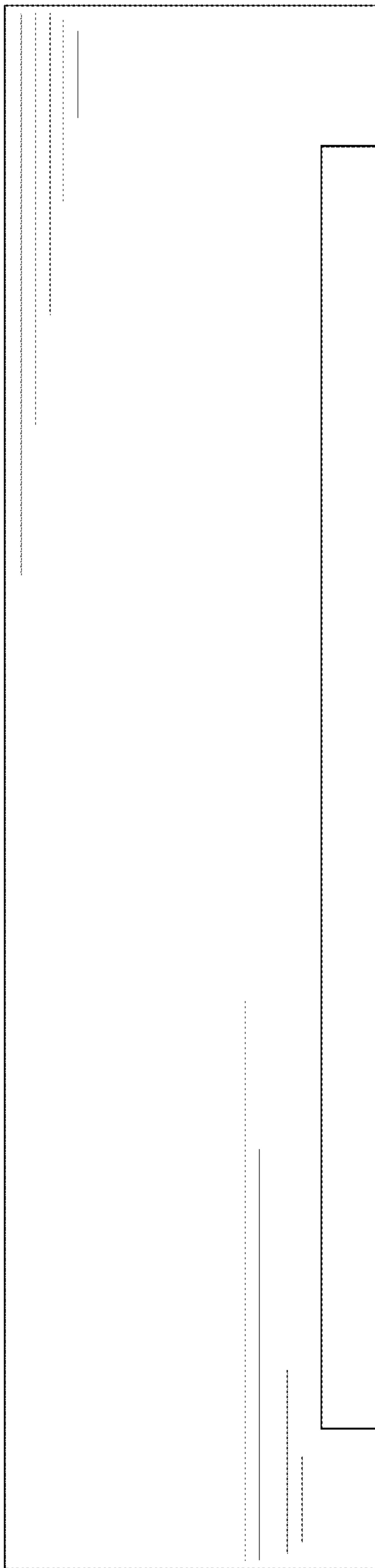


FIG. 6

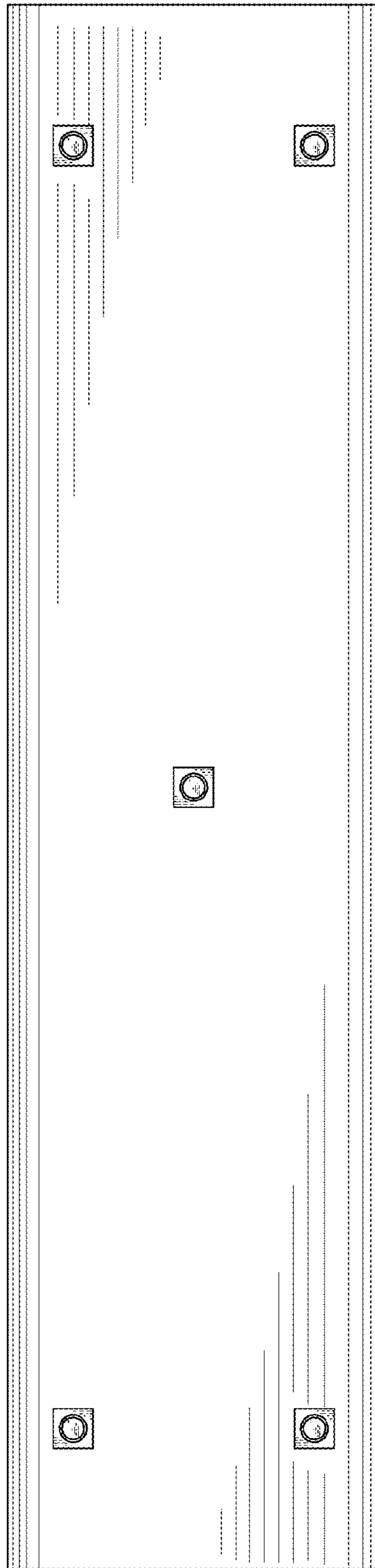


FIG. 7



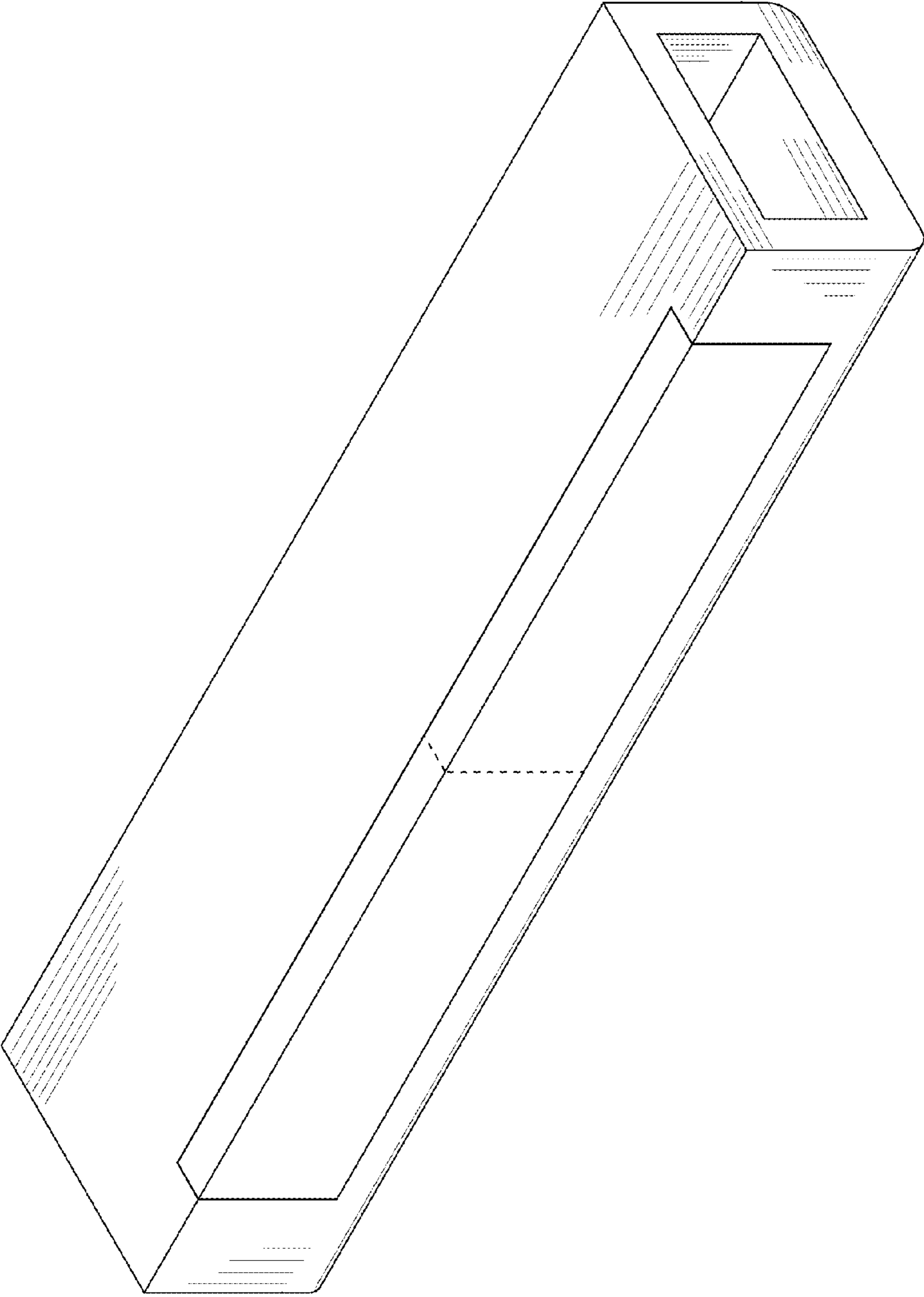


FIG. 8

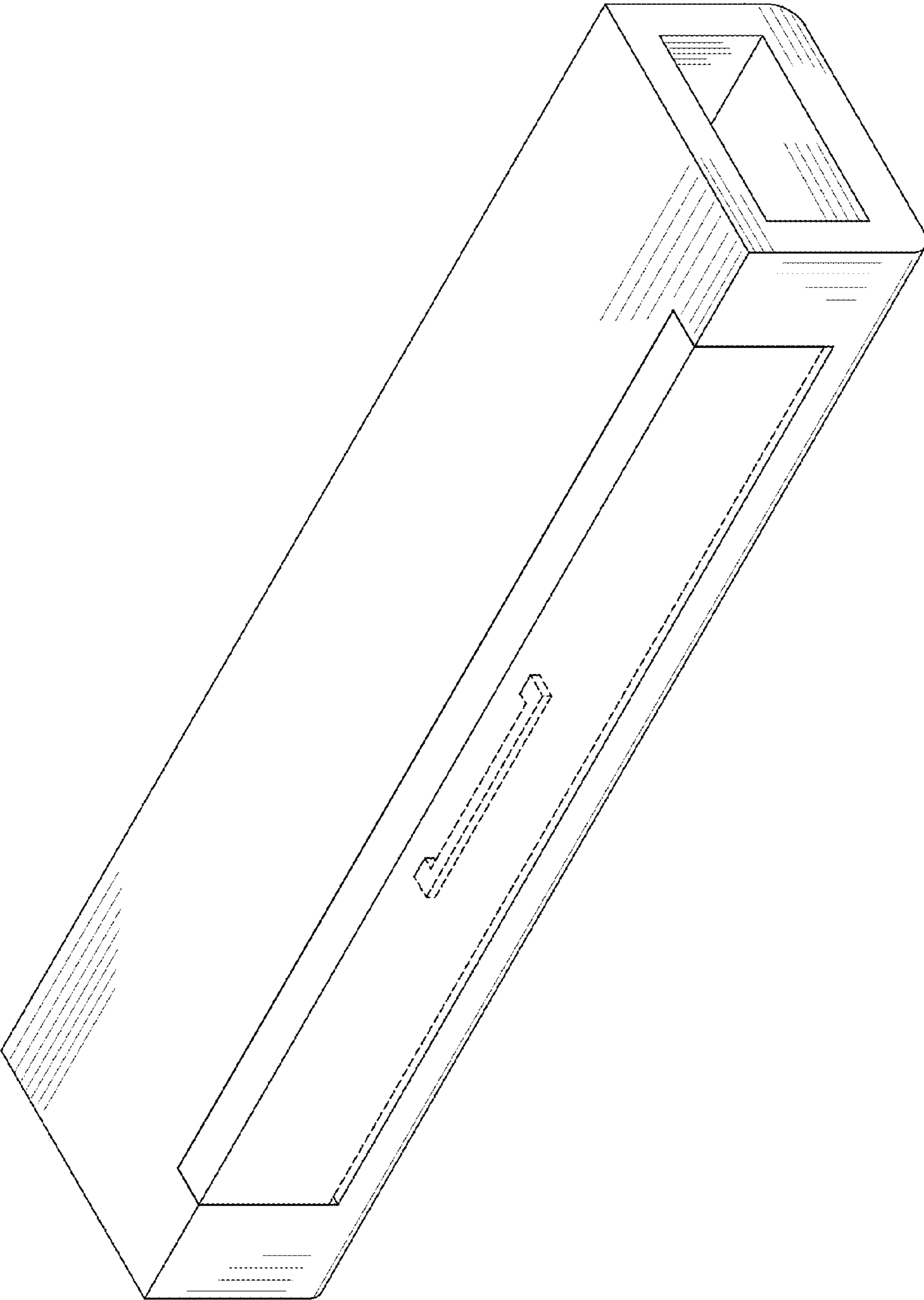


FIG. 9

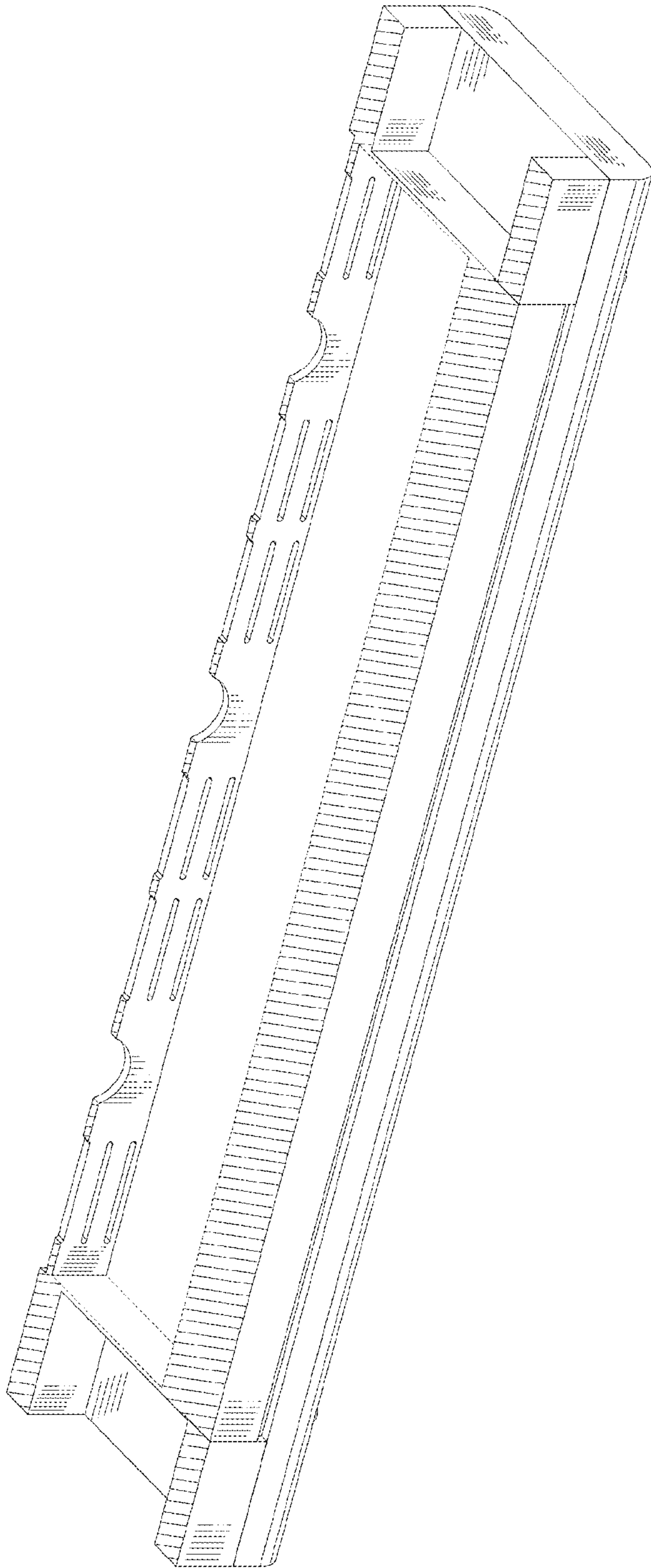


FIG. 10