



US00D751837S

(12) **United States Design Patent**
Sethapun et al.

(10) **Patent No.:** **US D751,837 S**
(45) **Date of Patent:** **** Mar. 22, 2016**

(54) **AIRCRAFT PASSENGER DIVAN**

(71) Applicant: **Gulfstream Aerospace Corporation,**
Savannah, GA (US)

(72) Inventors: **Kevin Sethapun,** Savannah, GA (US);
Andrew Fulford, Northville, MI (US);
Aram Kasparian, Savannah, GA (US)

(73) Assignee: **Gulfstream Aerospace Corporation,**
Savannah, GA (US)

(**) Term: **14 Years**

(21) Appl. No.: **29/506,235**

(22) Filed: **Oct. 14, 2014**

(51) **LOC (10) Cl.** **06-01**

(52) **U.S. Cl.**
USPC **D6/381; D6/356**

(58) **Field of Classification Search**
USPC D6/335, 336, 337, 338, 640, 643, 643.1,
D6/644, 406.1, 406.2, 406.3, 356, 334,
D6/381; D12/318, 345; D25/16
CPC A47C 17/00; A47C 17/02; A47C 17/12;
A47C 17/18; A47C 7/21; A47C 31/00;
A47C 3/16

See application file for complete search history.

(56) **References Cited**

U.S. PATENT DOCUMENTS

6,089,660	A	*	7/2000	Sproule	297/232
D515,333	S	*	2/2006	Natuzzi	D6/381
D515,334	S	*	2/2006	Natuzzi	D6/381
D527,541	S	*	9/2006	Natuzzi	D6/381
D541,074	S	*	4/2007	Natuzzi	D6/381
D600,037	S	*	9/2009	Natuzzi	D6/381
D600,938	S	*	9/2009	Natuzzi	D6/381
D609,026	S	*	2/2010	Griepentrog et al.	D6/381
D723,292	S	*	3/2015	Castanha et al.	D6/381

* cited by examiner

Primary Examiner — Sandra Snapp

(74) *Attorney, Agent, or Firm* — Ingrassia, Fisher & Lorenz
PC

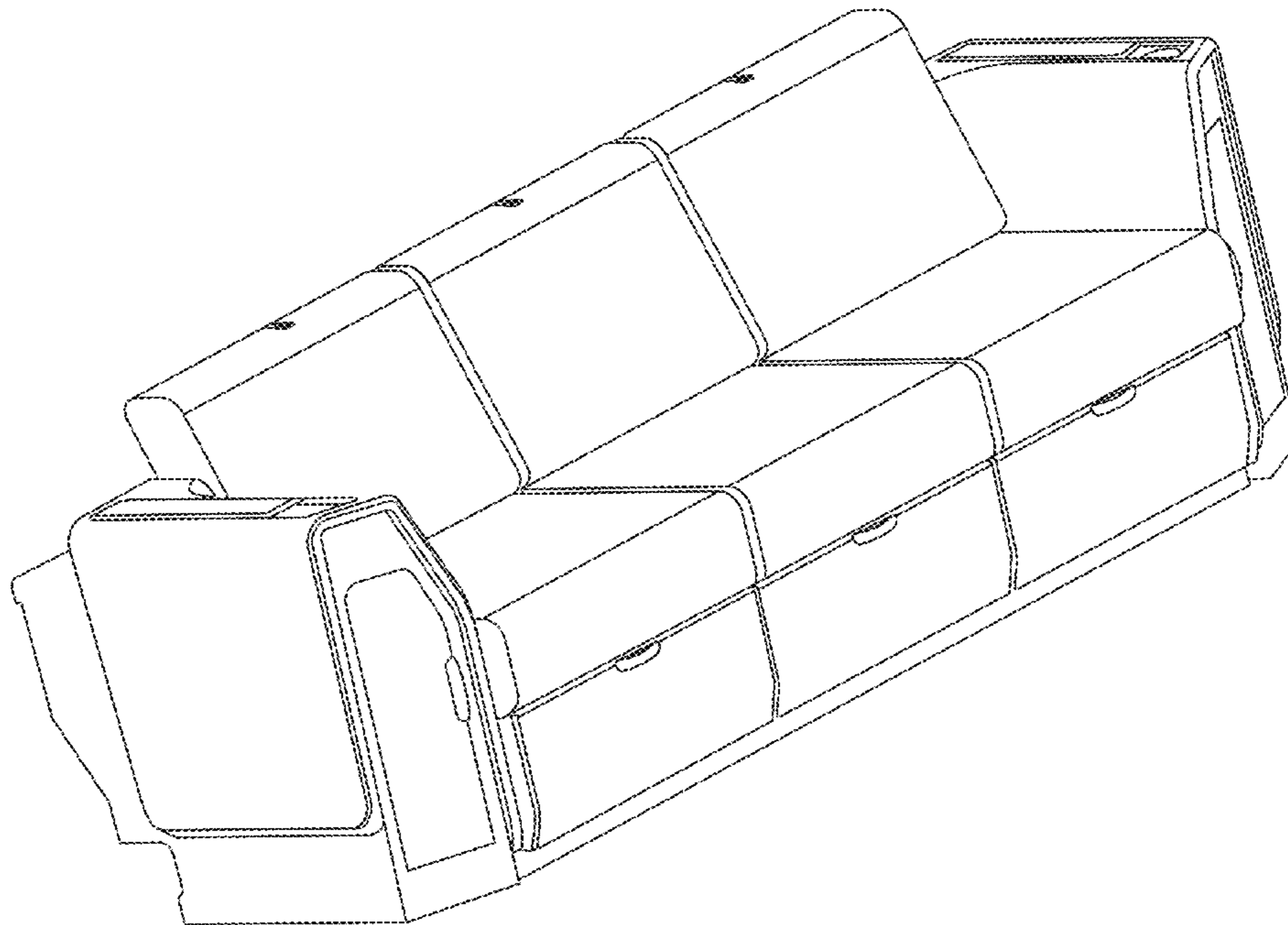
(57) **CLAIM**

The ornamental design for an aircraft passenger divan, as shown and described.

DESCRIPTION

FIG. 1 is a front perspective view of an aircraft passenger divan;
FIG. 2 is a first side view of the aircraft passenger divan;
FIG. 3 is a second side view of the aircraft passenger divan;
FIG. 4 is a bottom view of the aircraft passenger divan;
FIG. 5 is a top view of the aircraft passenger divan;
FIG. 6 is a front of the aircraft passenger divan; and,
FIG. 7 is a back view of the aircraft passenger divan.
The broken lines illustrate portions that form no part of the claimed design.

1 Claim, 6 Drawing Sheets



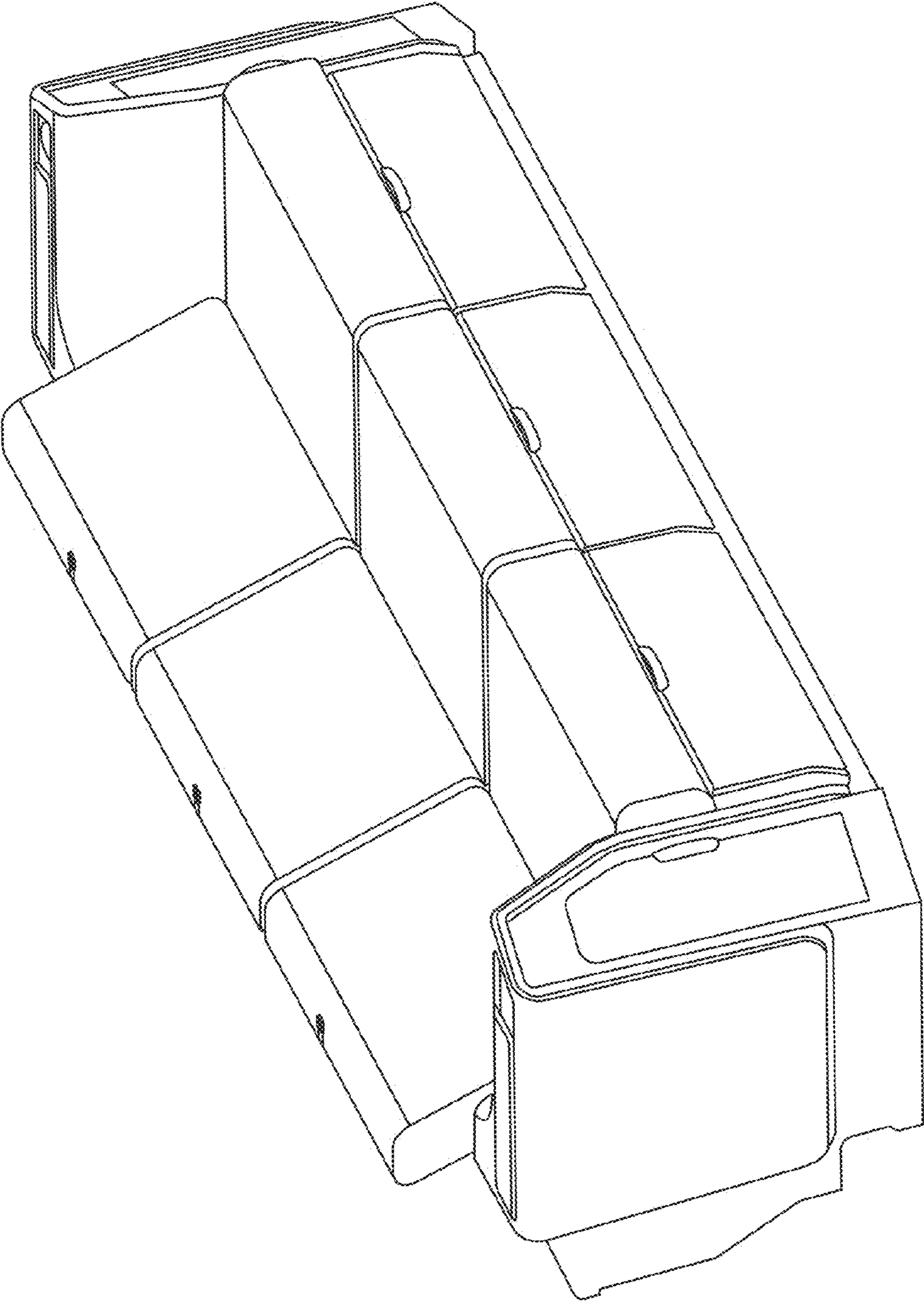


FIG. 1

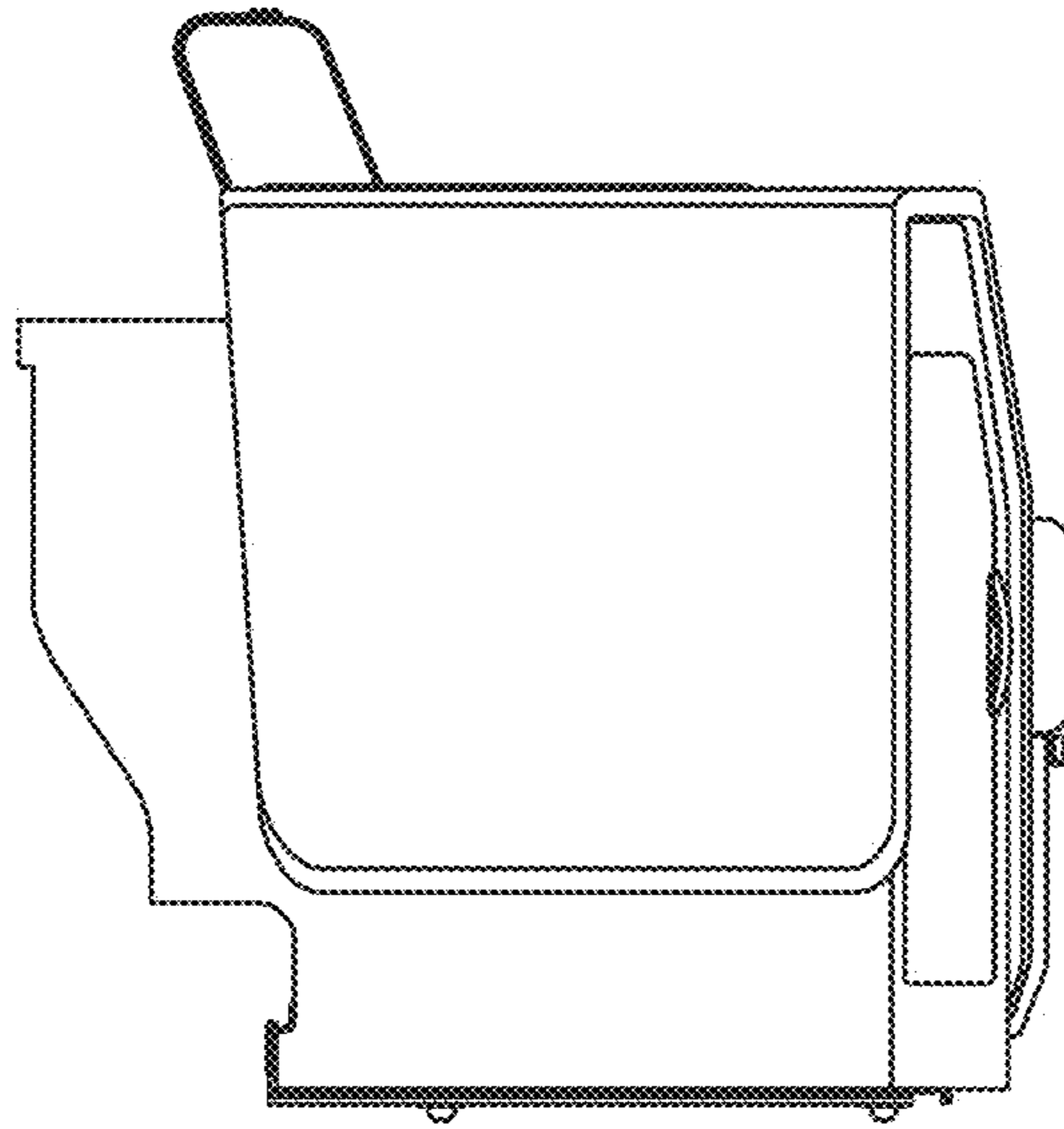


FIG. 2

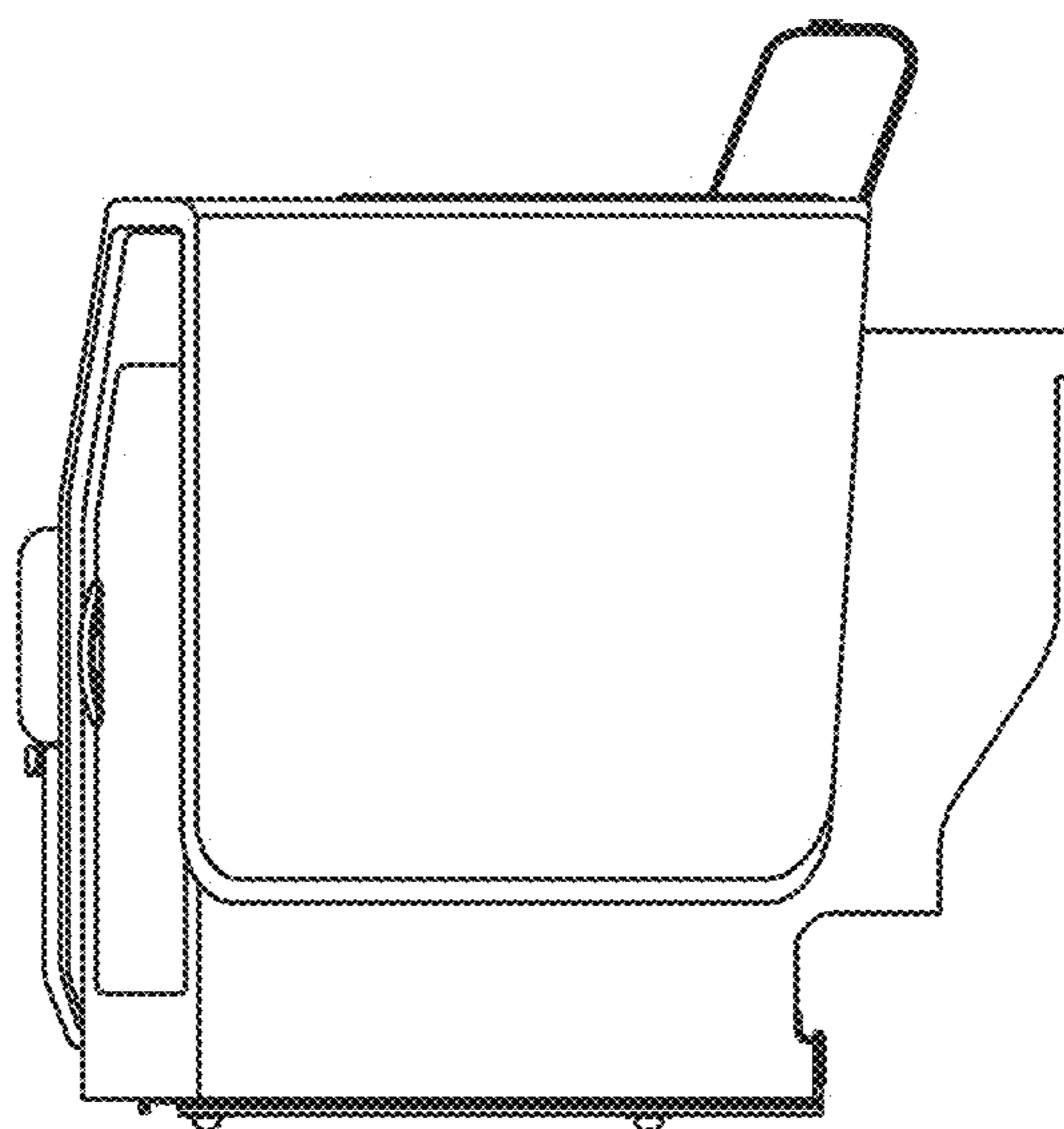


FIG. 3

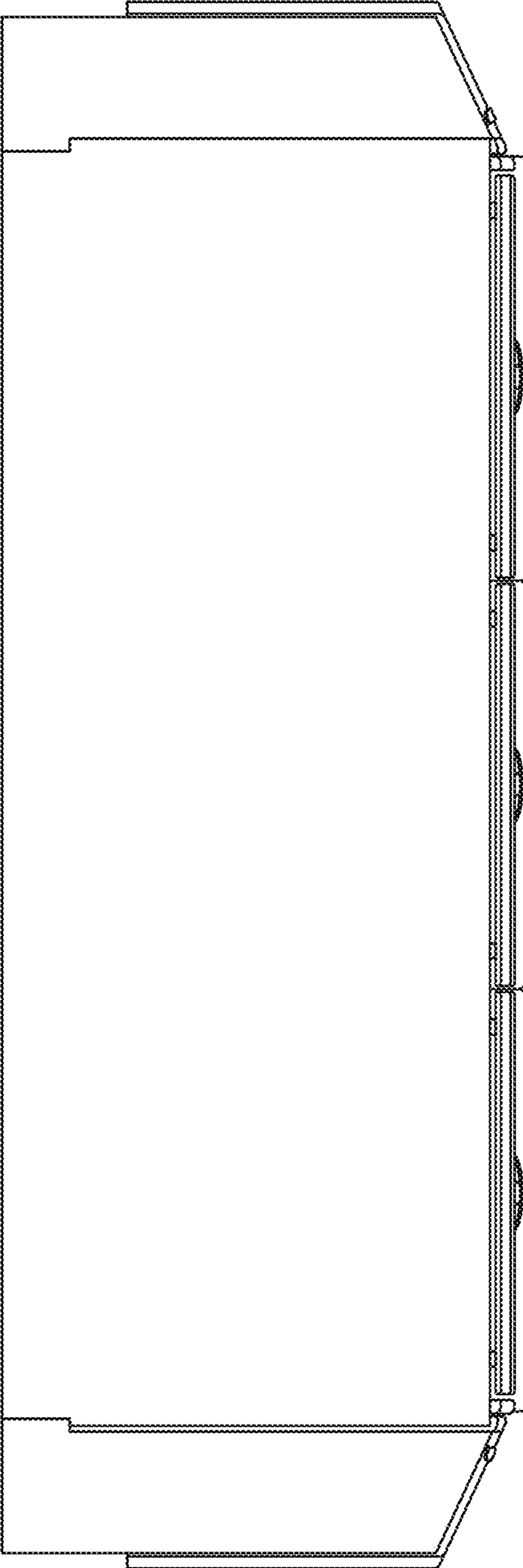


FIG. 4

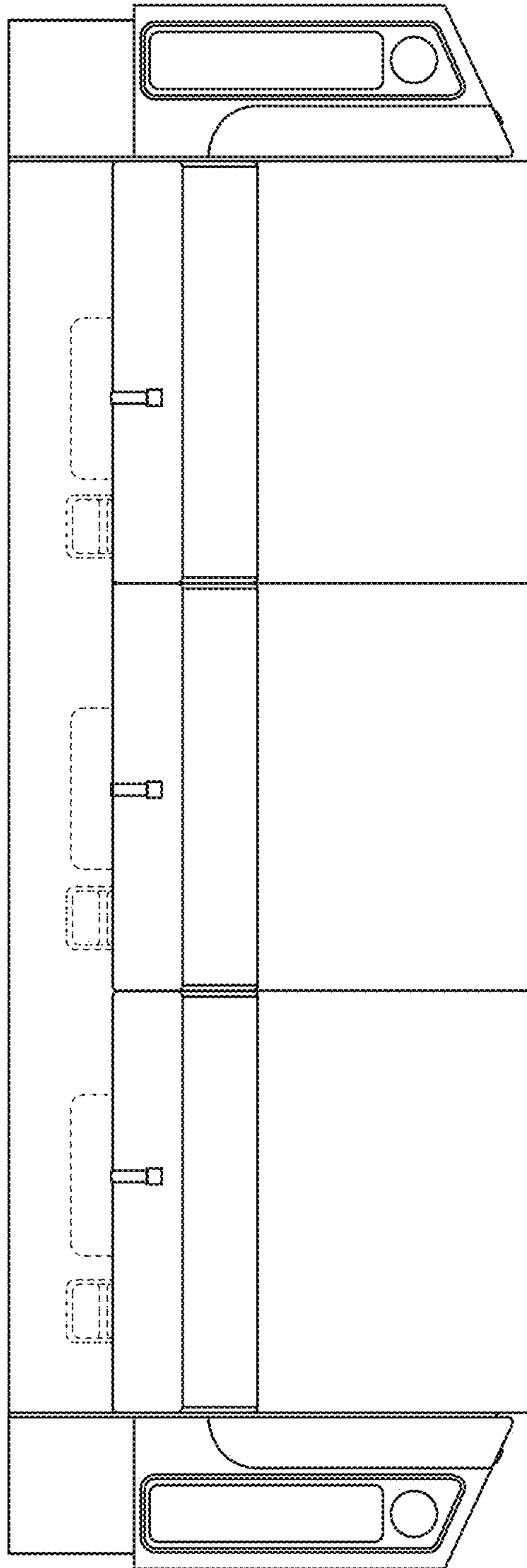


FIG. 5

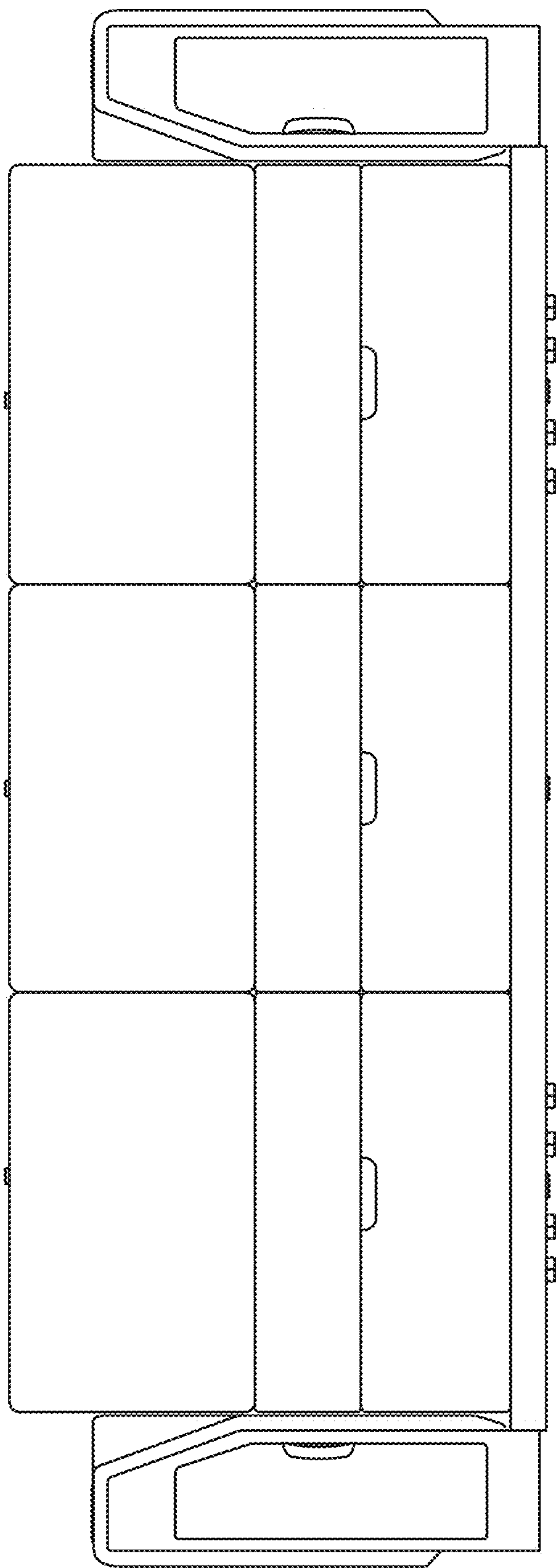


FIG. 6

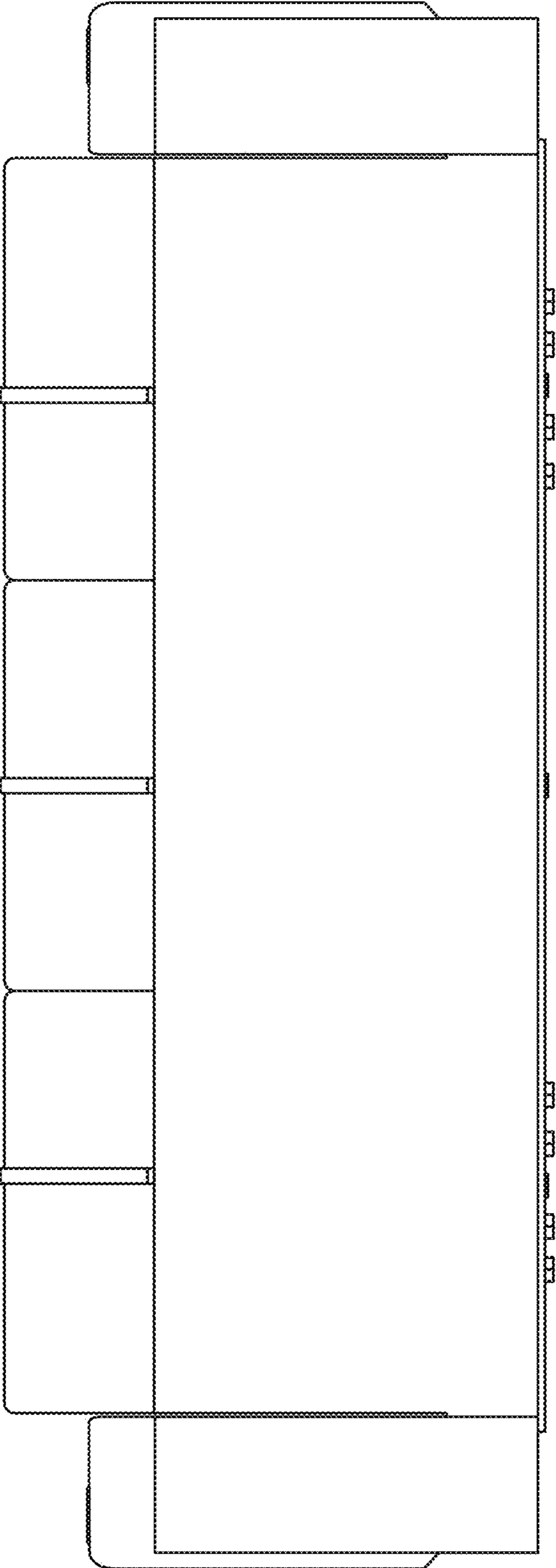


FIG. 7