



US00D751832S

(12) **United States Design Patent**  
**Foley**

(10) **Patent No.:** **US D751,832 S**

(45) **Date of Patent:** **\*\* \*Mar. 22, 2016**

(54) **CHAIR**

(71) Applicant: **Shelby Kaye Foley**, Pleasant Hill, MO  
(US)

(72) Inventor: **Shelby Kaye Foley**, Pleasant Hill, MO  
(US)

(\*) Notice: This patent is subject to a terminal disclaimer.

(\*\*) Term: **14 Years**

(21) Appl. No.: **29/491,306**

(22) Filed: **May 20, 2014**

(51) **LOC (10) Cl.** ..... **06-01**

(52) **U.S. Cl.**  
USPC ..... **D6/334**

(58) **Field of Classification Search**  
USPC ..... D6/334-338, 349, 355, 361, 368-370,  
D6/376, 379-381, 716, 716.1, 716.2, 340,  
D6/354, 377; 297/16.1, 42, 94, 135, 175,  
297/232, 233, 350, 351, 445.1, 448.1,  
297/448.2, 451.9; 5/12.1, 12.2  
CPC ..... A47C 1/02; A47C 7/24; A47C 17/00;  
A47C 17/02; A47C 17/04; A47C 17/045;  
A47C 17/12; A47C 17/132; A47C 17/136  
See application file for complete search history.

(56) **References Cited**

**U.S. PATENT DOCUMENTS**

D303,327 S \* 9/1989 Masarotti ..... D6/334  
D327,583 S \* 7/1992 Dettinger ..... D6/334

D335,779 S \* 5/1993 Newhouse ..... D6/381  
D337,450 S \* 7/1993 Dettinger ..... D6/381  
D352,615 S \* 11/1994 Hutton ..... D6/334  
D386,909 S \* 12/1997 Mourgue ..... D6/334  
D393,956 S \* 5/1998 Kane ..... D6/374  
D416,717 S \* 11/1999 Chalmers et al. .... D6/500  
D417,103 S \* 11/1999 Chalmers et al. .... D6/500  
D417,104 S \* 11/1999 Chalmers et al. .... D6/500  
D417,569 S \* 12/1999 Chalmers et al. .... D6/500  
D539,487 S \* 3/2007 Van Ysseldyk ..... D30/118  
D560,919 S \* 2/2008 Simons, Jr. .... D6/381  
D581,690 S \* 12/2008 Sempe ..... D6/381  
D600,466 S \* 9/2009 Cramer et al. .... D6/381  
D602,706 S \* 10/2009 Cramer et al. .... D6/381  
D638,229 S \* 5/2011 Lewis ..... D6/334  
D676,683 S \* 2/2013 Martin et al. .... D6/381  
D686,002 S \* 7/2013 Martin ..... D6/334

\* cited by examiner

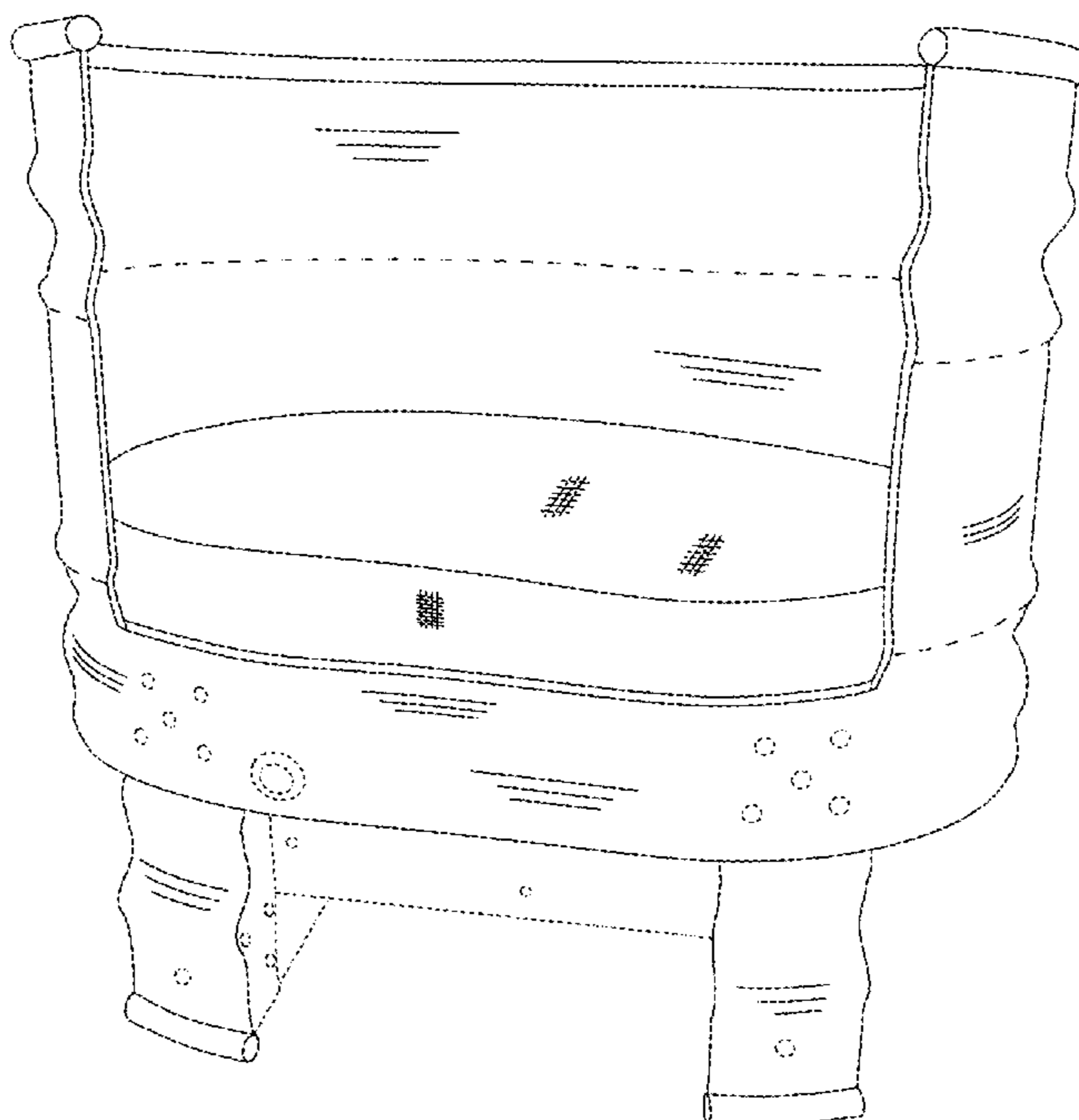
*Primary Examiner* — Sandra Snapp  
(74) *Attorney, Agent, or Firm* — Mashburn Law Office,  
LLC; Donna Denise Mashburn

(57) **CLAIM**  
The ornamental design for a chair, as shown and described.

**DESCRIPTION**

FIG. 1 is a front perspective view of the chair; and,  
FIG. 2 is a back perspective view of the chair.  
The broken lines in FIGS. 1-2 form no part of the claimed design. The broken lines in FIGS. 1-2 are directed to environment and are for illustrative purposes only.

**1 Claim, 2 Drawing Sheets**



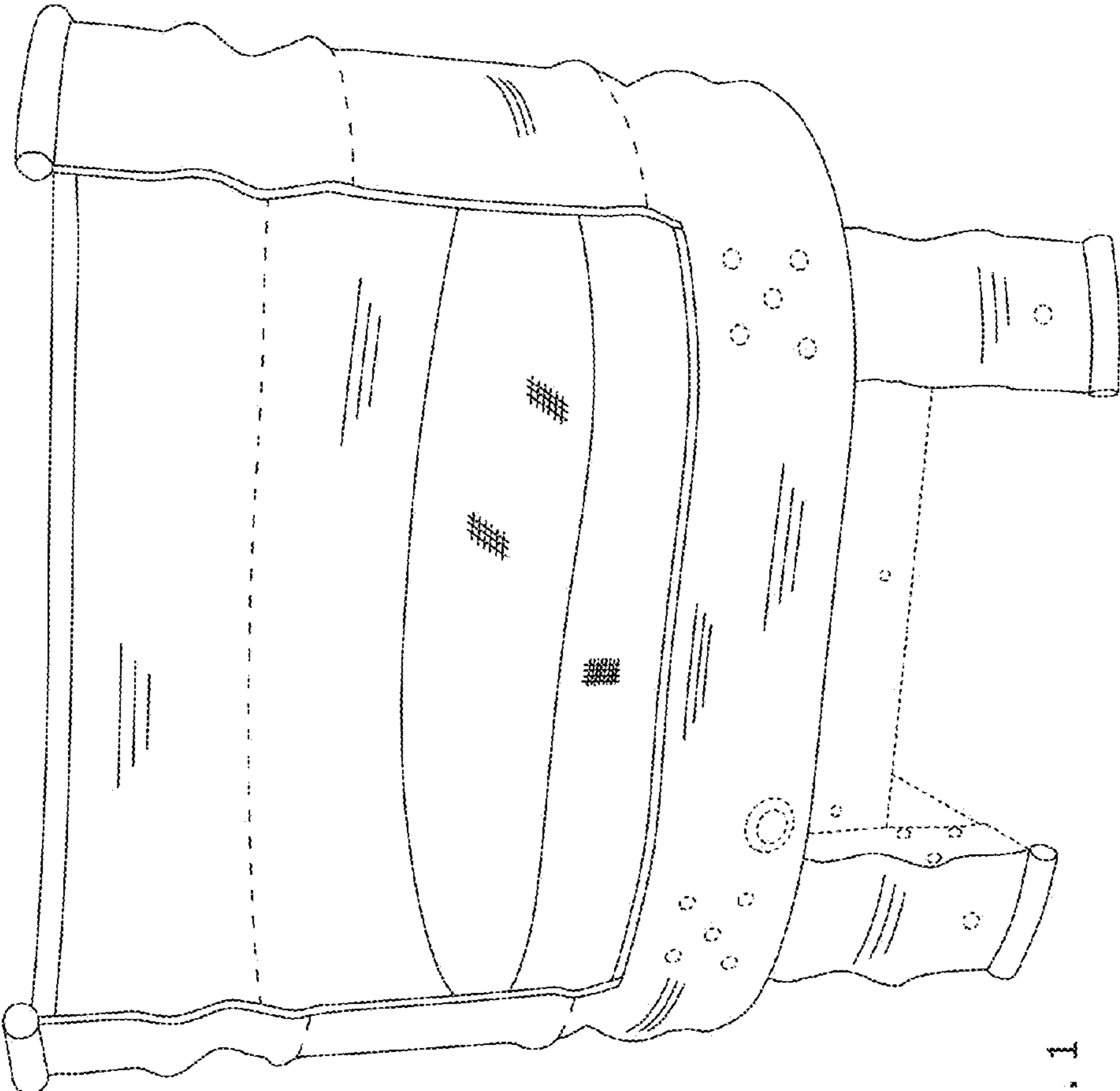


FIG. 1

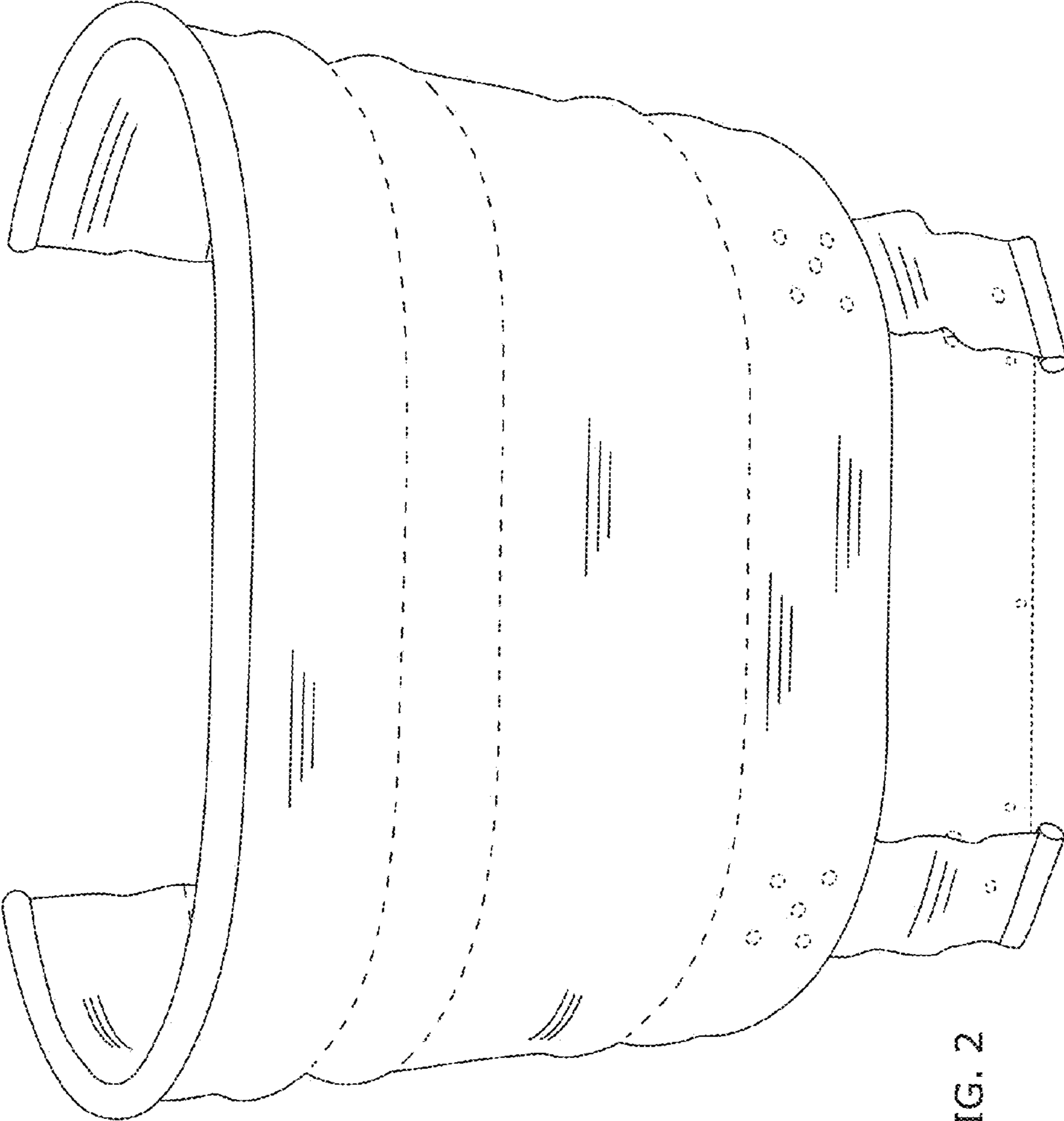


FIG. 2

UNITED STATES PATENT AND TRADEMARK OFFICE  
**CERTIFICATE OF CORRECTION**

PATENT NO. : D751,832 S  
APPLICATION NO. : 29/491306  
DATED : March 22, 2016  
INVENTOR(S) : Shelby Kaye Foley

Page 1 of 3

It is certified that error appears in the above-identified patent and that said Letters Patent is hereby corrected as shown below:

Delete Title page with illustrative figure, and replace with new Title page with illustrative figure.  
(attached)

Delete Drawing Sheet 1, and replace with new Drawing Sheet 1. (attached)

Signed and Sealed this  
Twenty-fourth Day of May, 2016



Michelle K. Lee  
*Director of the United States Patent and Trademark Office*



(12) **United States Design Patent**  
**Foley**

(10) **Patent No.:** **US D751,832 S**  
(45) **Date of Patent:** **\*\* \*Mar. 22, 2016**

(54) **CHAIR**

(71) Applicant: **Shelby Kaye Foley, Pleasant Hill, MO (US)**

(72) Inventor: **Shelby Kaye Foley, Pleasant Hill, MO (US)**

(\* ) Notice: **This patent is subject to a terminal disclaimer.**

(\*\* ) Term: **14 Years**

(21) Appl. No.: **29/491,306**

(22) Filed: **May 20, 2014**

(51) LOC (10) Cl. .... **06-01**

(52) U.S. CL  
USPC ..... **D6/334**

(58) **Field of Classification Search**  
USPC ..... **D6/334-338, 349, 355, 361, 368-370, D6/376, 379-381, 716, 716.1, 716.2, 340, D6/354, 377; 297/16.1, 42, 94, 135, 175, 297/232, 233, 350, 351, 445.1, 448.1, 297/448.2, 451.9; 5/12.1, 12.2**  
CPC ..... **A47C 1/02; A47C 7/24; A47C 17/00; A47C 17/02; A47C 17/04; A47C 17/045; A47C 17/12; A47C 17/132; A47C 17/136**  
See application file for complete search history.

(56) **References Cited**

**U.S. PATENT DOCUMENTS**

D303,327 S \* 9/1989 Masarotti ..... D6/334  
D327,583 S \* 7/1992 Dettinger ..... D6/334

D335,779 S \* 5/1993 Newhouse ..... D6/381  
D337,450 S \* 7/1993 Dettinger ..... D6/381  
D352,615 S \* 11/1994 Hutton ..... D6/334  
D386,909 S \* 12/1997 Mourgue ..... D6/334  
D393,956 S \* 5/1998 Kane ..... D6/374  
D416,717 S \* 11/1999 Chalmers et al. .... D6/500  
D417,103 S \* 11/1999 Chalmers et al. .... D6/500  
D417,104 S \* 11/1999 Chalmers et al. .... D6/500  
D417,569 S \* 12/1999 Chalmers et al. .... D6/500  
D539,487 S \* 3/2007 Van Ysseldyk ..... D30/118  
D560,919 S \* 2/2008 Simons, Jr. .... D6/381  
D581,690 S \* 12/2008 Sempe ..... D6/381  
D600,466 S \* 9/2009 Cramer et al. .... D6/381  
D602,706 S \* 10/2009 Cramer et al. .... D6/381  
D638,229 S \* 5/2011 Lewis ..... D6/334  
D676,683 S \* 2/2013 Martin et al. .... D6/381  
D686,002 S \* 7/2013 Martin ..... D6/334

\* cited by examiner

*Primary Examiner* — **Sandra Snapp**

(74) *Attorney, Agent, or Firm* — **Mashburn Law Office, LLC; Donna Denise Mashburn**

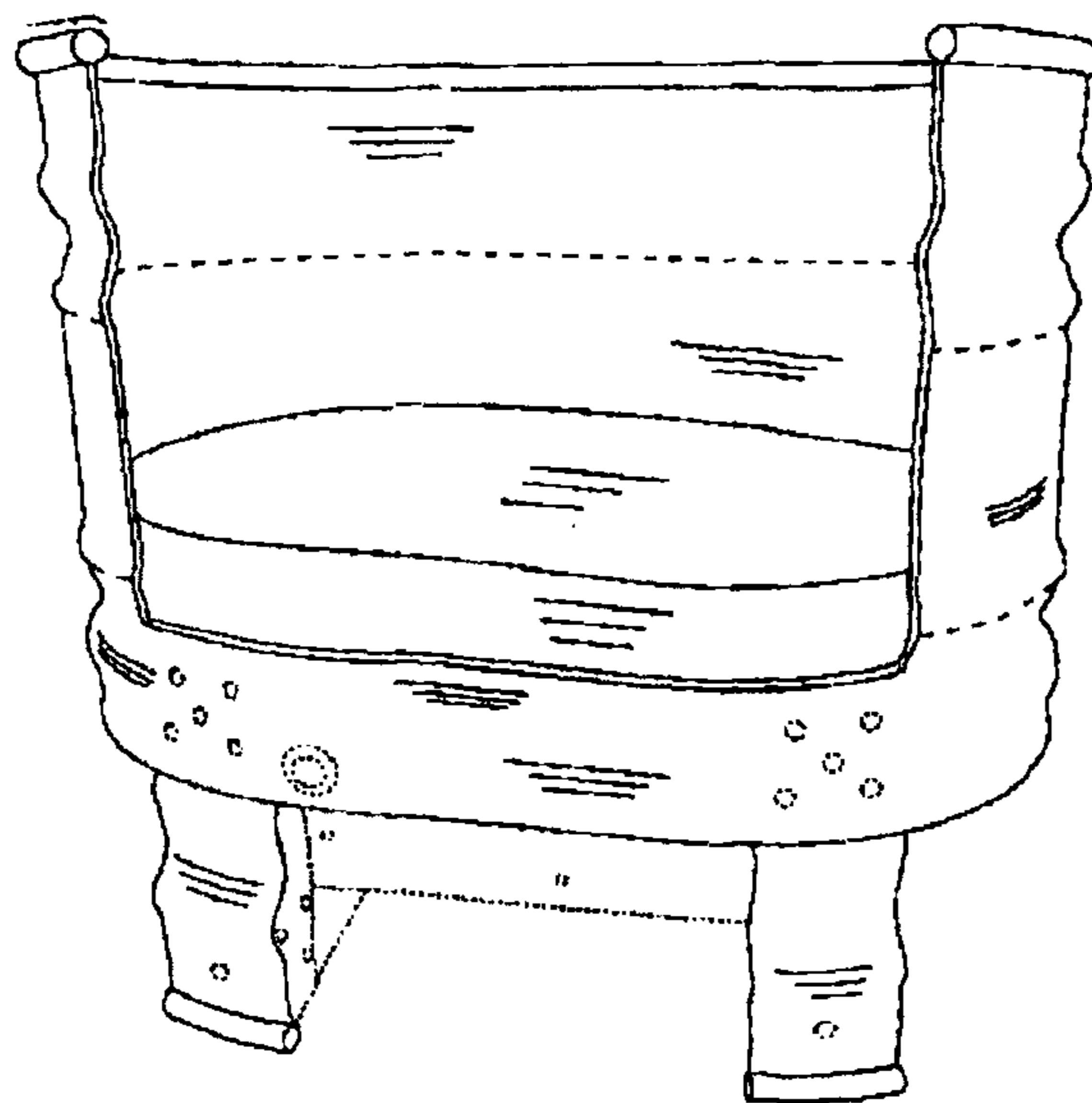
(57) **CLAIM**

The ornamental design for a chair, as shown and described.

**DESCRIPTION**

FIG. 1 is a front perspective view of the chair, and, FIG. 2 is a back perspective view of the chair. The broken lines in FIGS. 1-2 form no part of the claimed design. The broken lines in FIGS. 1-2 are directed to environment and are for illustrative purposes only.

**1 Claim, 2 Drawing Sheets**



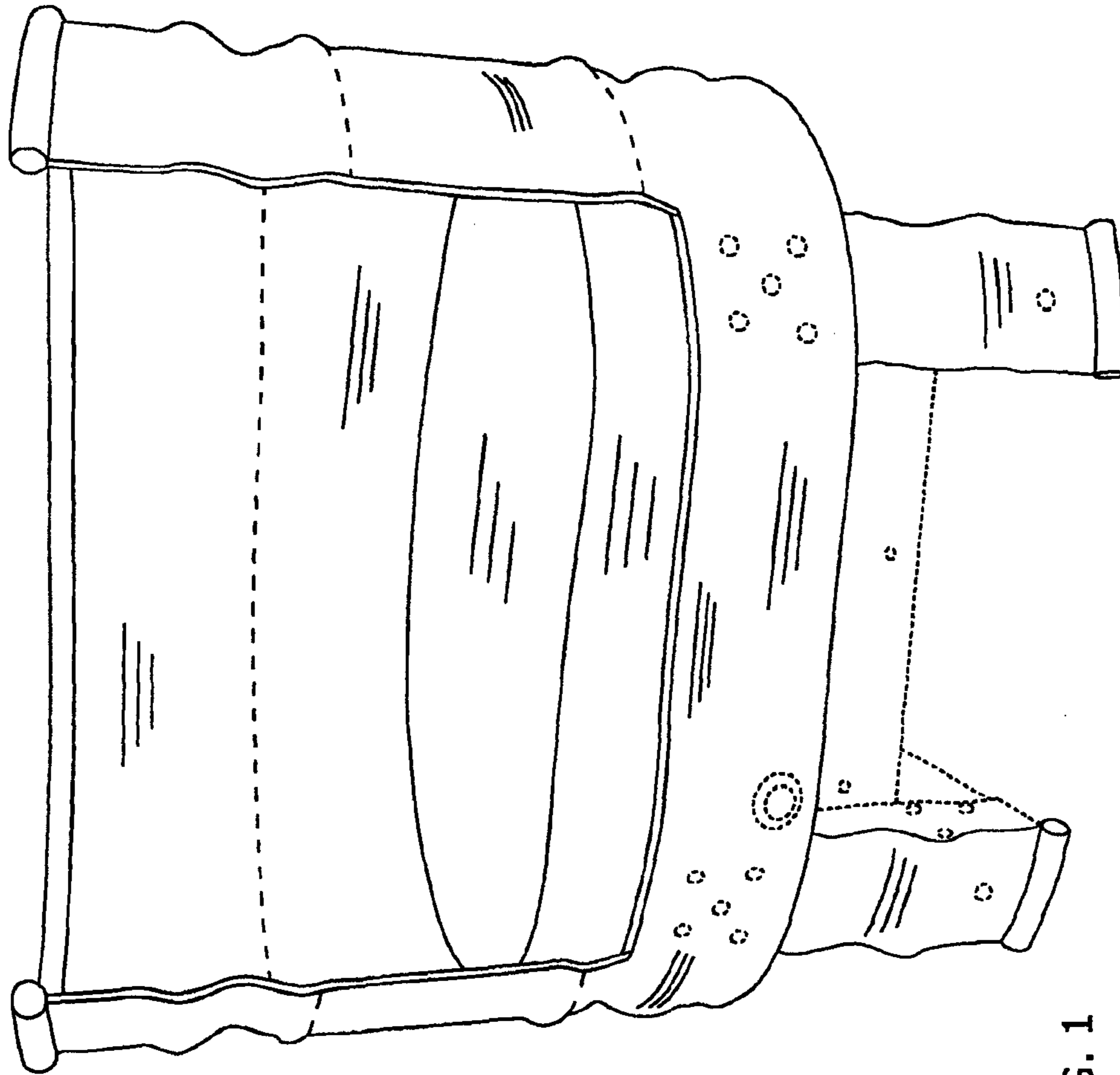


FIG. 1