



US00D751831S

(12) **United States Design Patent**
Shay-Puetzer et al.

(10) **Patent No.:** **US D751,831 S**
(45) **Date of Patent:** **** Mar. 22, 2016**

(54) **TRANSPARENT FRAME FOR DISPLAYING AN OBJECT**

(71) Applicants: **Tricia L. Shay-Puetzer**, Oconomowoc, WI (US); **Steven J. Puetzer**, Oconomowoc, WI (US)

(72) Inventors: **Tricia L. Shay-Puetzer**, Oconomowoc, WI (US); **Steven J. Puetzer**, Oconomowoc, WI (US)

(**) Term: **14 Years**

(21) Appl. No.: **29/488,888**

(22) Filed: **Apr. 24, 2014**

(51) **LOC (10) Cl.** **06-07**

(52) **U.S. Cl.**
USPC **D6/314**

(58) **Field of Classification Search**
USPC D6/300–314; D11/132, 133, 143; D20/10, 19, 40, 42, 43, 99; 40/27, 380, 40/757, 700, 732, 743, 781, 772, 769
CPC A47G 1/065; A47G 1/1626; A47G 1/17; A47G 2001/0666; A47G 2001/0672; A47G 1/142; G03B 21/64; F16M 13/022
See application file for complete search history.

(56) **References Cited**

U.S. PATENT DOCUMENTS

2,268,529 A * 12/1941 Stiles 40/702
D146,264 S * 1/1947 Moonert D6/311

(Continued)

OTHER PUBLICATIONS

Frimage Image Frames, available Jun. 20, 2014, [online], [site visited Jul. 2, 2015]. Available from internet, <URL: <http://www.frimageimage.com/>>.*

(Continued)

Primary Examiner — Cathron Brooks
Assistant Examiner — Teddy Falloway

(74) *Attorney, Agent, or Firm* — Klintworth & Rozenblatt IP LLC

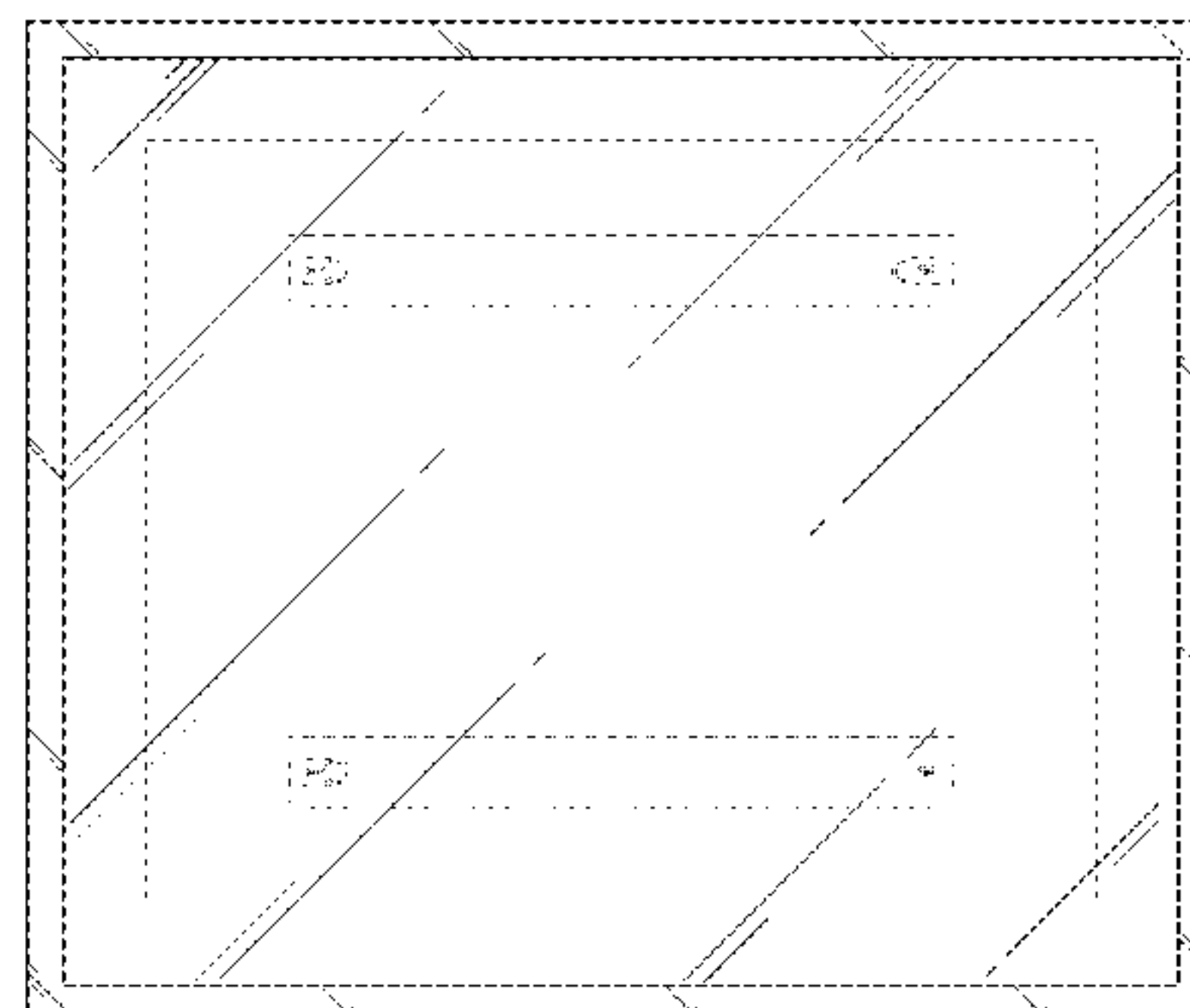
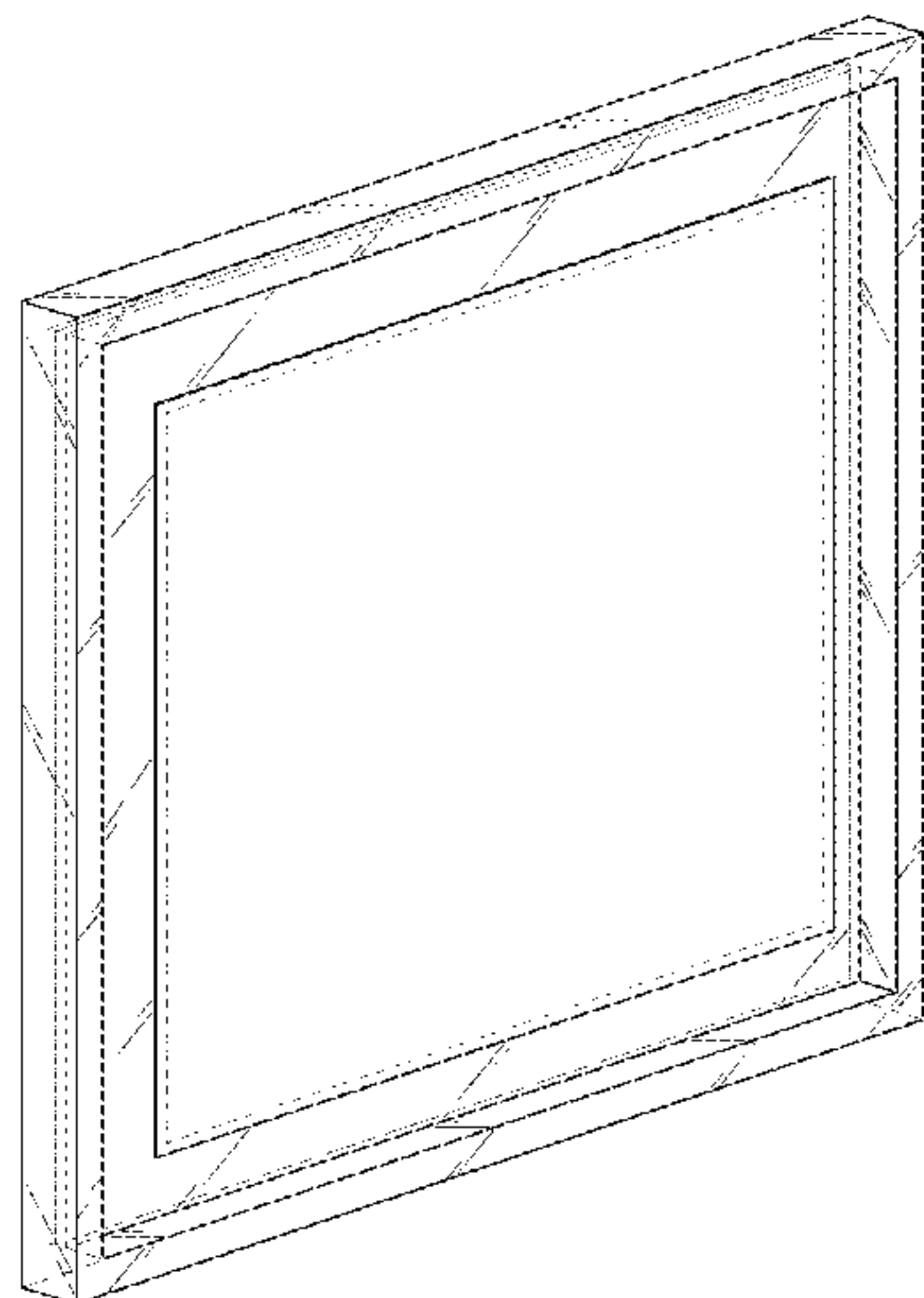
(57) **CLAIM**

We claim the ornamental design for a transparent frame for displaying an object, as shown and described.

DESCRIPTION

FIG. 1 is a top, front perspective view of a transparent frame for displaying an object;
FIG. 2 is a front view of the transparent frame shown in FIG. 1;
FIG. 3 is a rear view of the transparent frame shown in FIG. 1;
FIG. 4 is a right side view of the transparent frame shown in FIG. 1;
FIG. 5 is a left side view of the transparent frame shown in FIG. 1;
FIG. 6 is a top view of the transparent frame shown in FIG. 1;
FIG. 7 is a bottom view of the transparent frame shown in FIG. 1;
FIG. 8 is an enlarged view of a portion of the transparent frame shown in FIG. 4, this enlarged view applies to both similar structures in FIG. 4;
FIG. 9 is an enlarged view of a portion of the transparent frame shown in FIG. 5, this enlarged view applies to both similar structures in FIG. 5;
FIG. 10 is an enlarged view of a portion of the transparent frame shown in FIG. 6;
FIG. 11 is an enlarged view of a portion of the transparent frame shown in FIG. 6;
FIG. 12 is an enlarged view of a portion of the transparent frame shown in FIG. 7; and,
FIG. 13 is an enlarged view of a portion of the transparent frame shown in FIG. 7.
The broken lines shown in FIGS. 3-13 are included for the purpose of illustrating portions of the transparent frame for displaying an object, while the broken lines shown in FIGS. 1 and 2 represent the bounds of the claim, wherein subject matter within the boundary is directed to environment; all broken lines form no part of the claimed design.

1 Claim, 6 Drawing Sheets



(56)

References Cited

U.S. PATENT DOCUMENTS

3,444,638 A 5/1969 Jahn
 3,553,873 A 1/1971 Weston
 3,566,526 A 3/1971 La Violette
 3,786,584 A 1/1974 Holson
 D230,238 S * 2/1974 Coda D6/300
 3,885,336 A 5/1975 Olsen
 4,192,905 A * 3/1980 Scheibal 428/80
 4,261,124 A * 4/1981 Carter 40/791
 D290,787 S * 7/1987 Chisholm D6/301
 4,761,902 A * 8/1988 Lansky et al. 40/760
 5,230,172 A * 7/1993 Hsu 40/732
 5,269,083 A 12/1993 Vampatella et al.
 D370,568 S * 6/1996 Wynne D6/306
 D381,211 S * 7/1997 Aries et al. D6/300
 D383,613 S * 9/1997 Handler D6/300
 D394,959 S * 6/1998 Kwan D6/314
 D405,473 S * 2/1999 Tikhonski et al. D20/42
 D423,796 S * 5/2000 Kwan D6/314
 D424,813 S * 5/2000 DeMary D6/301
 D438,019 S * 2/2001 Carlson D6/302
 D445,262 S * 7/2001 Rowan D6/300
 D479,742 S * 9/2003 Hollingsworth D23/366
 6,655,064 B1 12/2003 Dodson
 D485,993 S * 2/2004 Noble D6/300
 6,742,295 B2 6/2004 Gross
 D493,036 S * 7/2004 O'Neal D6/300
 D496,798 S * 10/2004 Berg et al. D6/332
 6,868,630 B2 3/2005 Kim
 6,982,114 B2 1/2006 Crum
 D532,247 S * 11/2006 Copeland D7/354
 D564,020 S 3/2008 Brown
 D576,432 S * 9/2008 Siekmann D6/703.2
 D613,953 S * 4/2010 Hammer D6/310
 7,748,152 B2 7/2010 Reinold et al.
 D642,384 S * 8/2011 Seckinger D6/302

D669,691 S * 10/2012 Blaser D6/300
 8,484,873 B2 7/2013 Splittgerber
 8,495,830 B2 7/2013 Price
 8,572,873 B2 11/2013 Van Bortel
 8,584,387 B2 11/2013 Pénisson
 8,595,968 B2 * 12/2013 Byfield 40/732
 D727,629 S * 4/2015 Gordon et al. D6/300
 2003/0196364 A1 * 10/2003 Chang 40/732
 2005/0193614 A1 * 9/2005 Conrad 40/757

OTHER PUBLICATIONS

Oliver Brothers Frames, available Dec. 31, 2013, [online], [site visited Jul. 2, 2015]. Available from internet, <URL: <http://www.oliverbrothersframes.com/frame-finish/acrylic-picture-frames/>>.*
 MOS Photography Frame, available Mar. 11, 2013, [online], [site visited Jul. 2, 2015]. Available from internet, <URL: <http://www.mosphotography.com/portraits/signature-frames.html>>.*
 Float Frame (Mirror Image Photography), available Jul. 24, 2012, [online], [site visited Jul. 2, 2015]. Available from internet, <URL: <http://mirrorimagephotography.co.uk/index.php/2012/07/new-float-frame/>>.*
 Float Frame (Daily Art West, paintings by Don Gray), available Apr. 23, 2012, [online], [site visited Jul. 2, 2015]. Available from internet, <URL: http://www.dailyartwest.com/2012_04_01_archive.html>.*
 Float Frame (StillMoving Image Photography), available Jul. 9, 2012, [online], [site visited Jul. 2, 2015]. Available from internet, <URL: <http://www.stillmovingimage.com/new-float-frame/>>.*
 Acrylic frame (via Papertrey Ink), available Oct. 14, 2007, [online], [site visited Nov. 19, 2015]. Available from internet, <URL: http://nicholeheady.typepad.com/capture_the_moment/2007/10/introducing-cle.html>.*
 Canetti Magnet Frame, available Apr. 2, 2013, [online], [site visited Nov. 19, 2015]. Available from internet, <URL: <http://canettidesigngroup.com/products/frames/primary-color-magnet-frame/>>.*

* cited by examiner

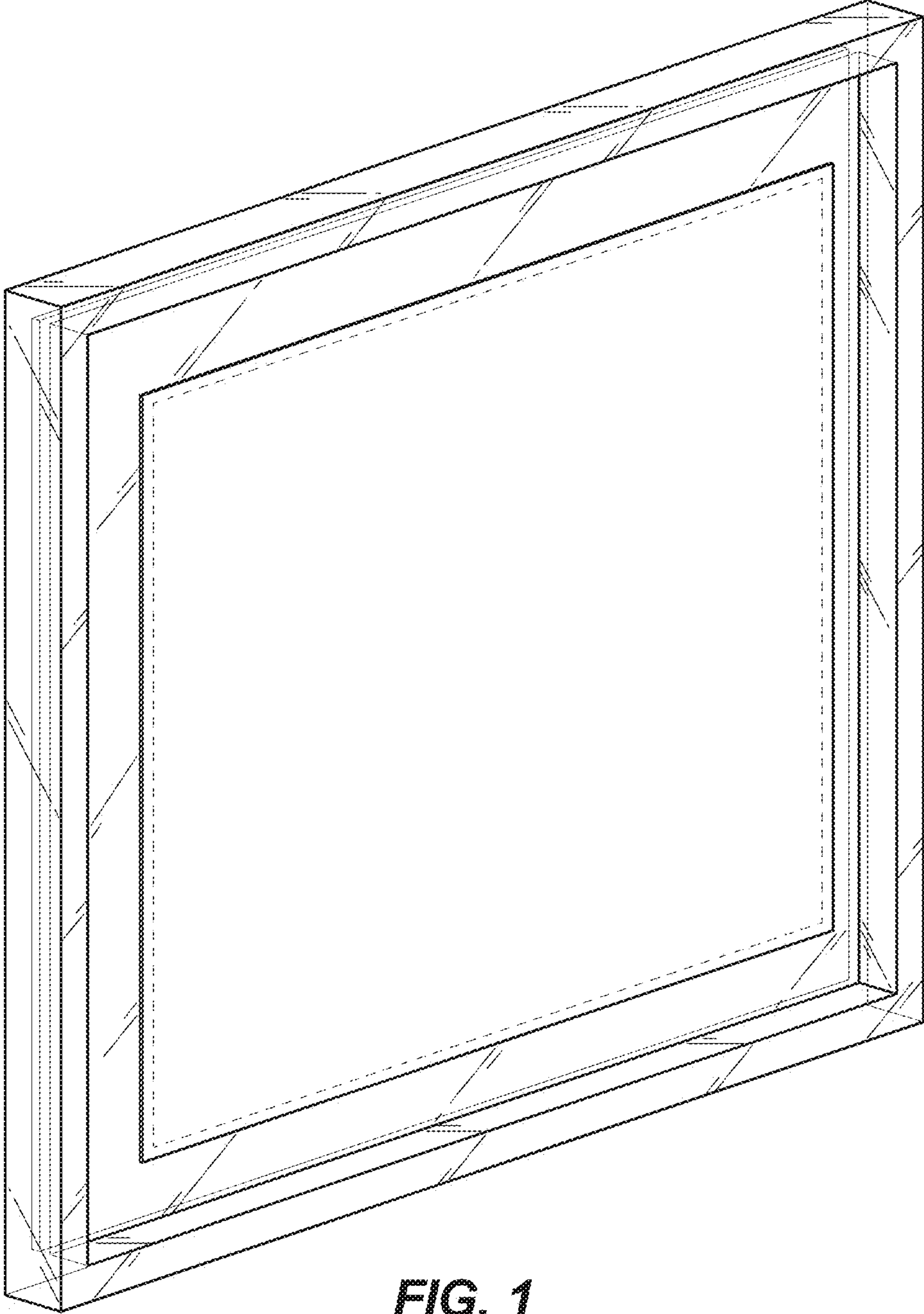


FIG. 1

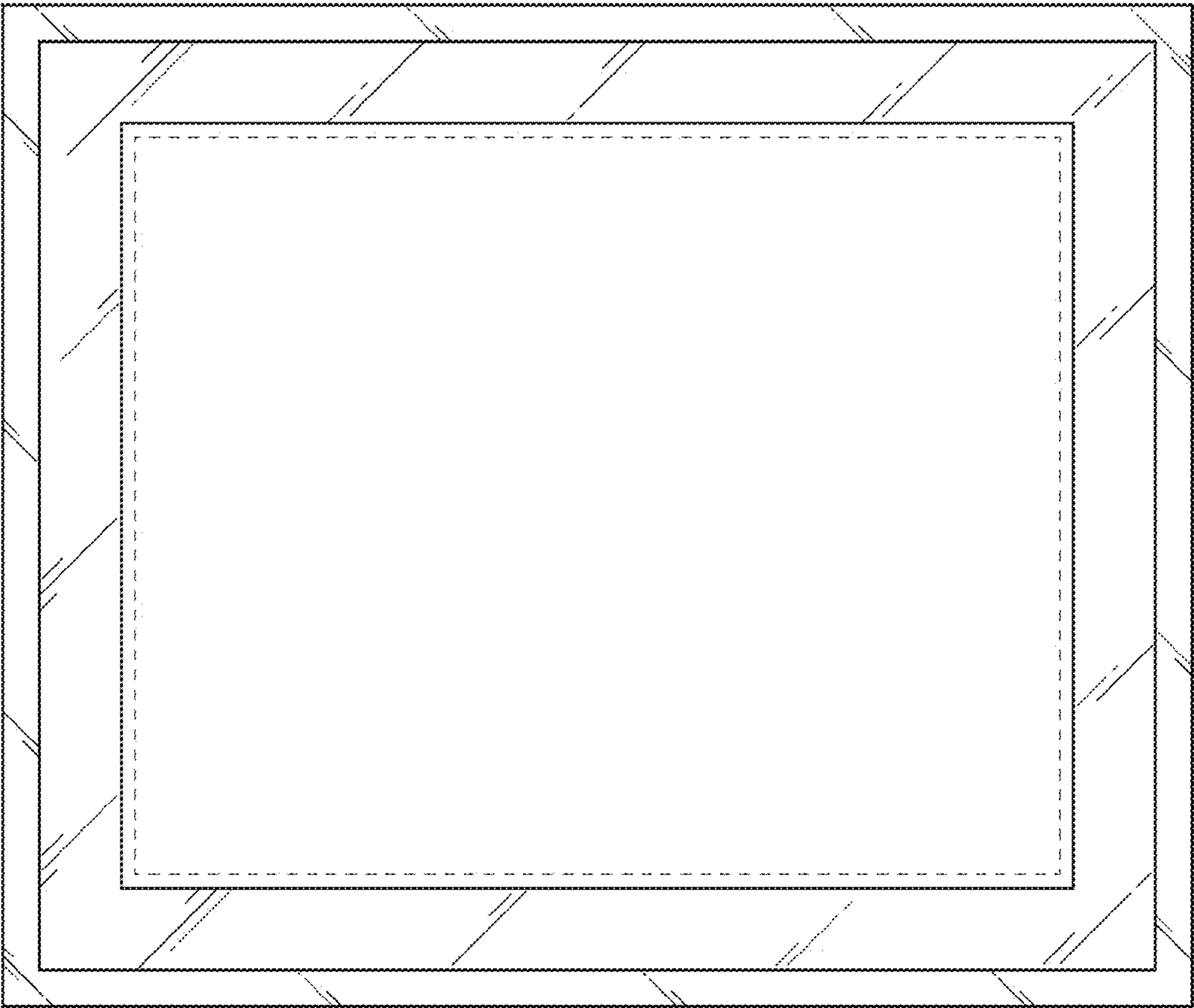


FIG. 2

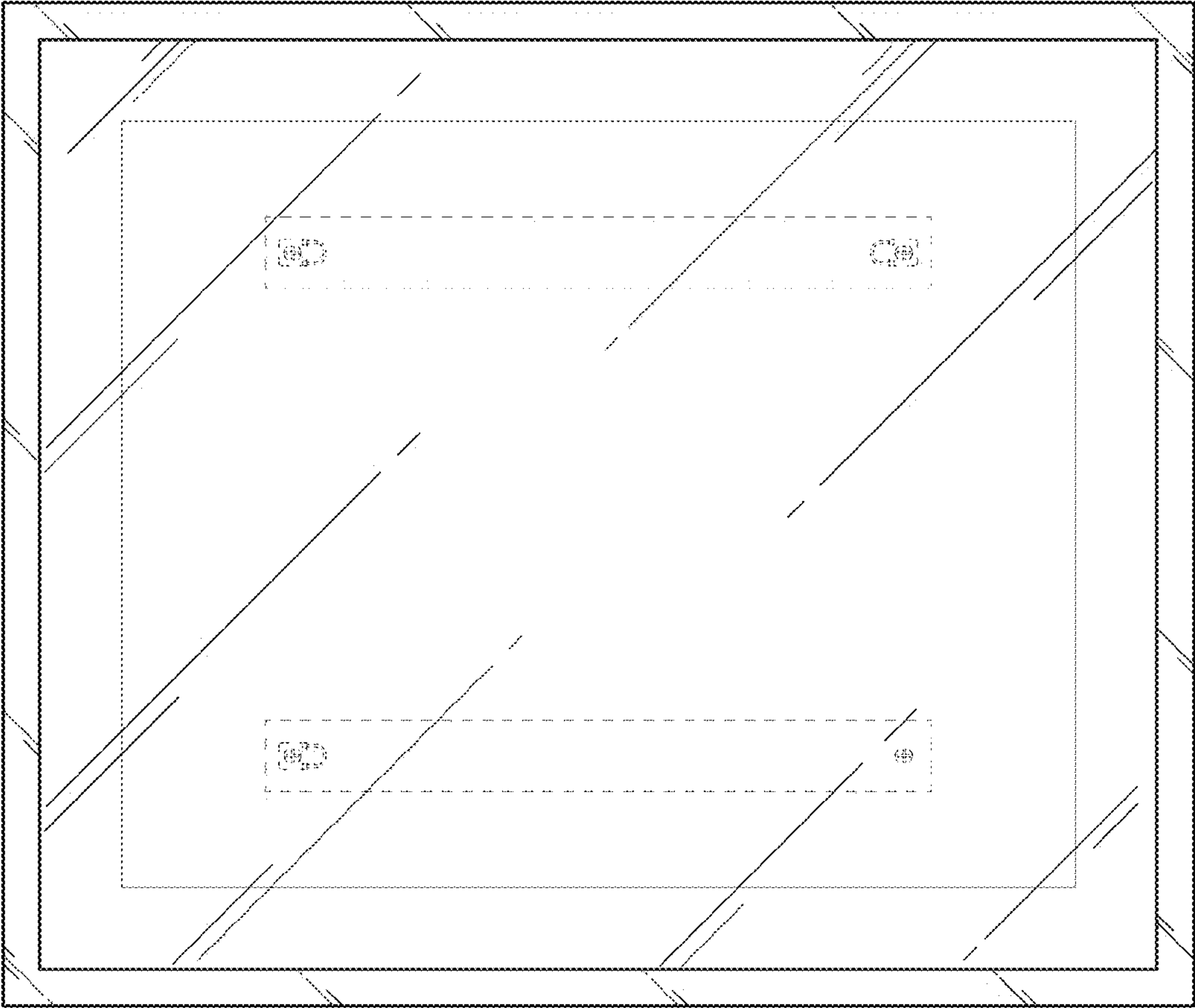


FIG. 3

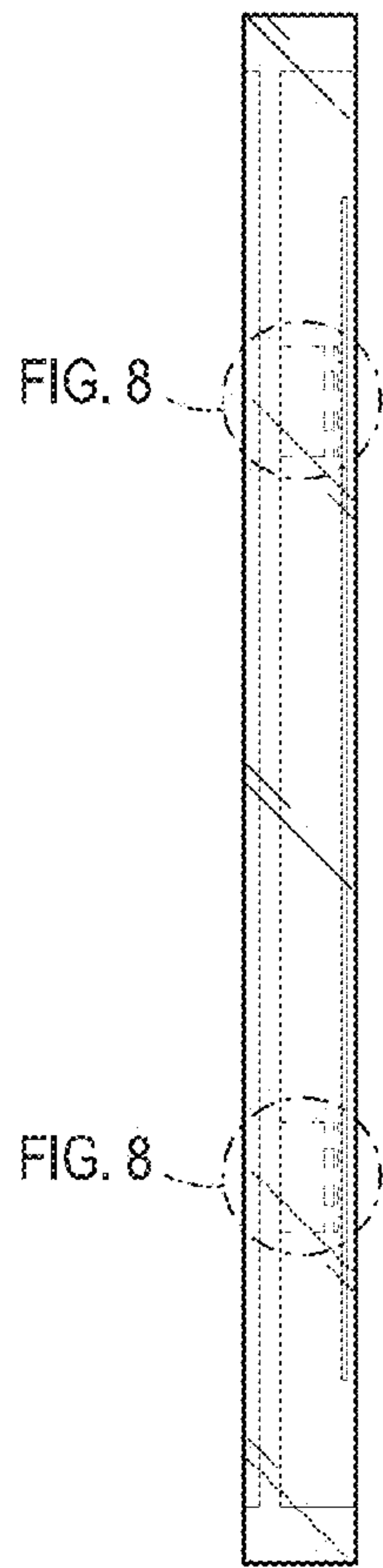


FIG. 4

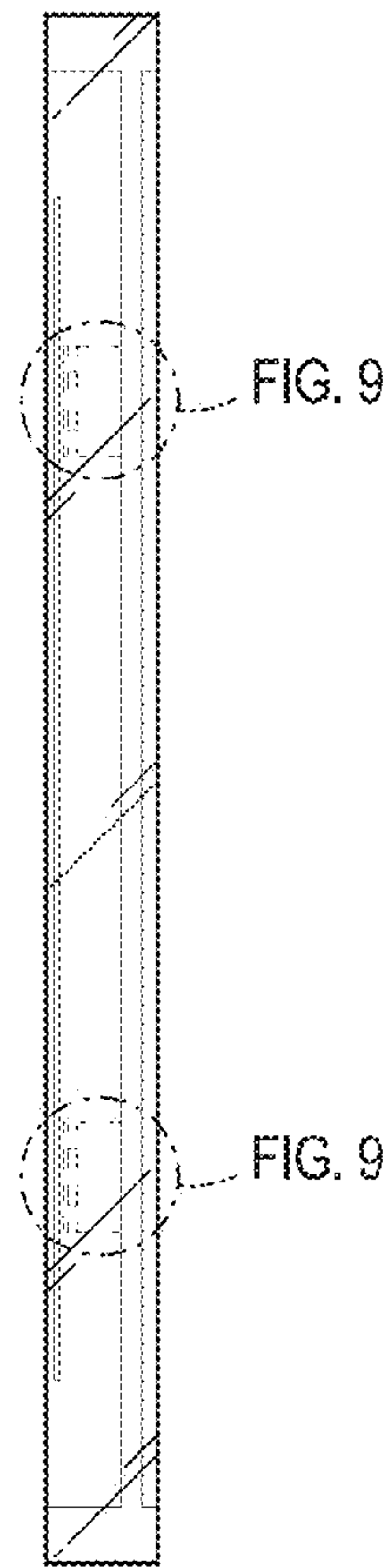


FIG. 5

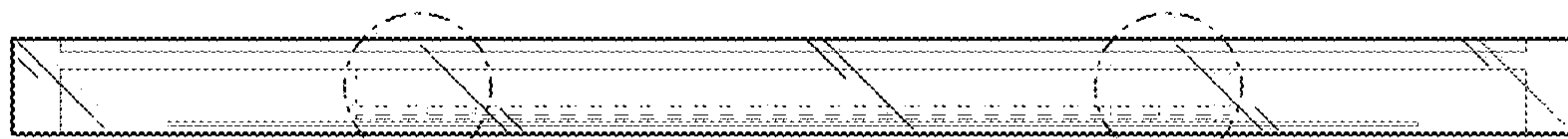


FIG. 6

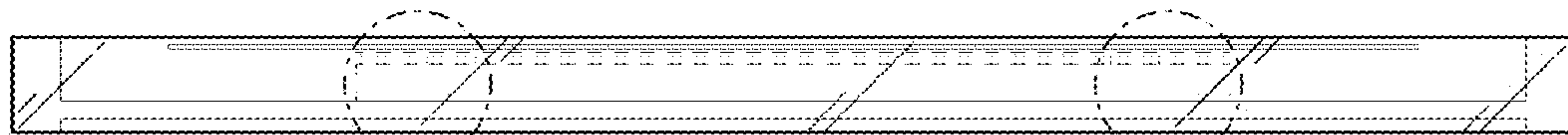


FIG. 7

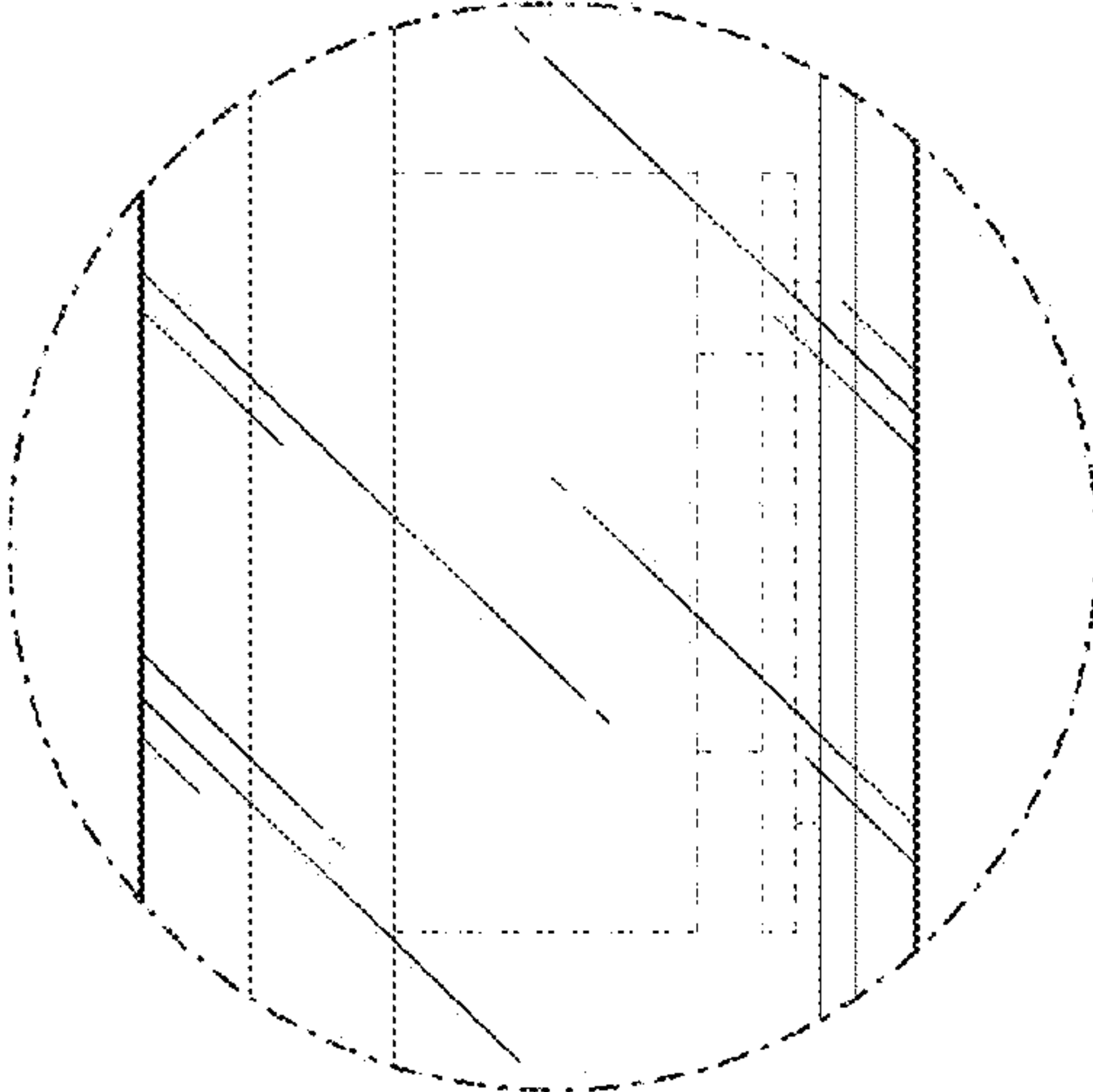


FIG. 8

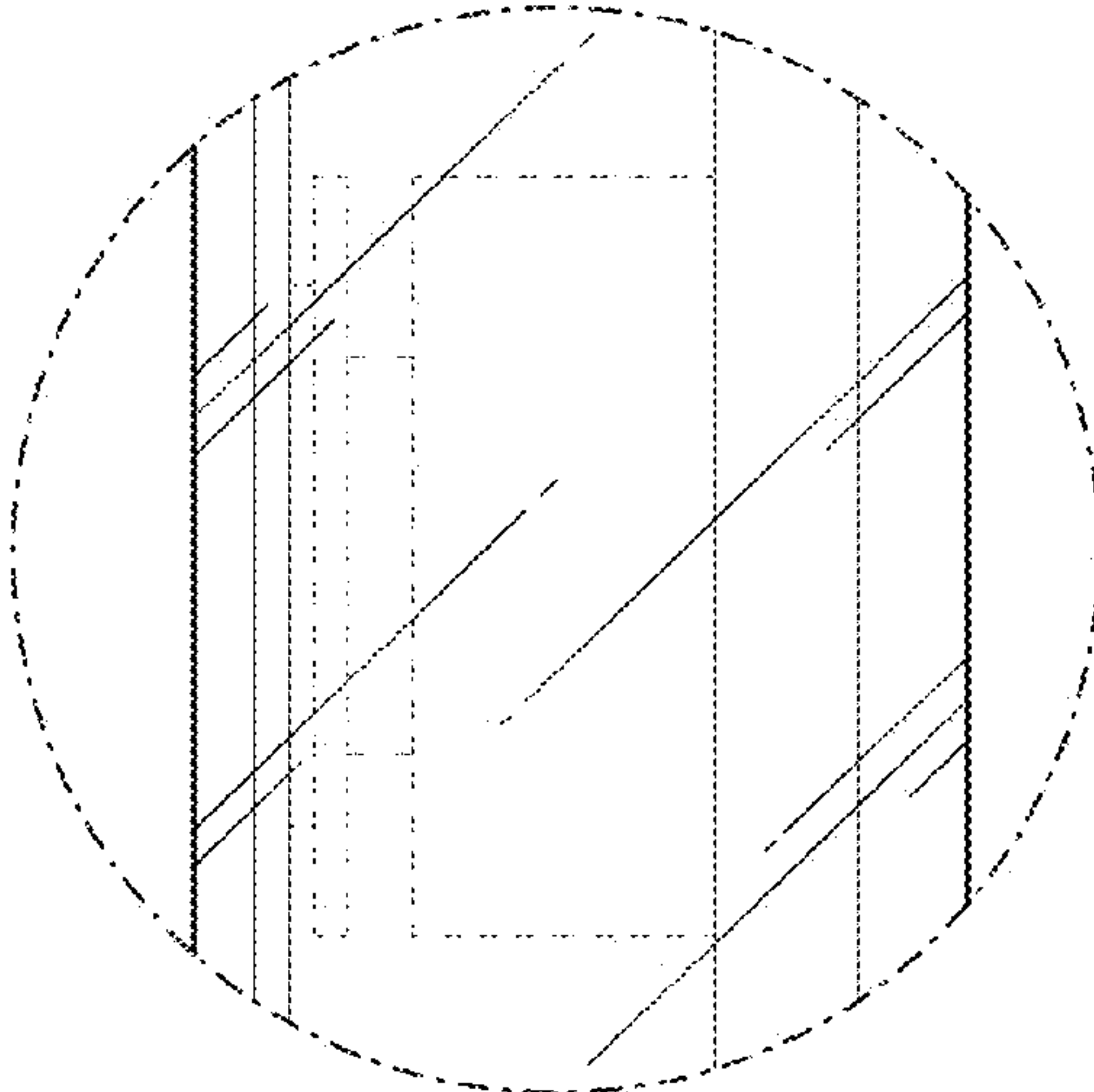


FIG. 9

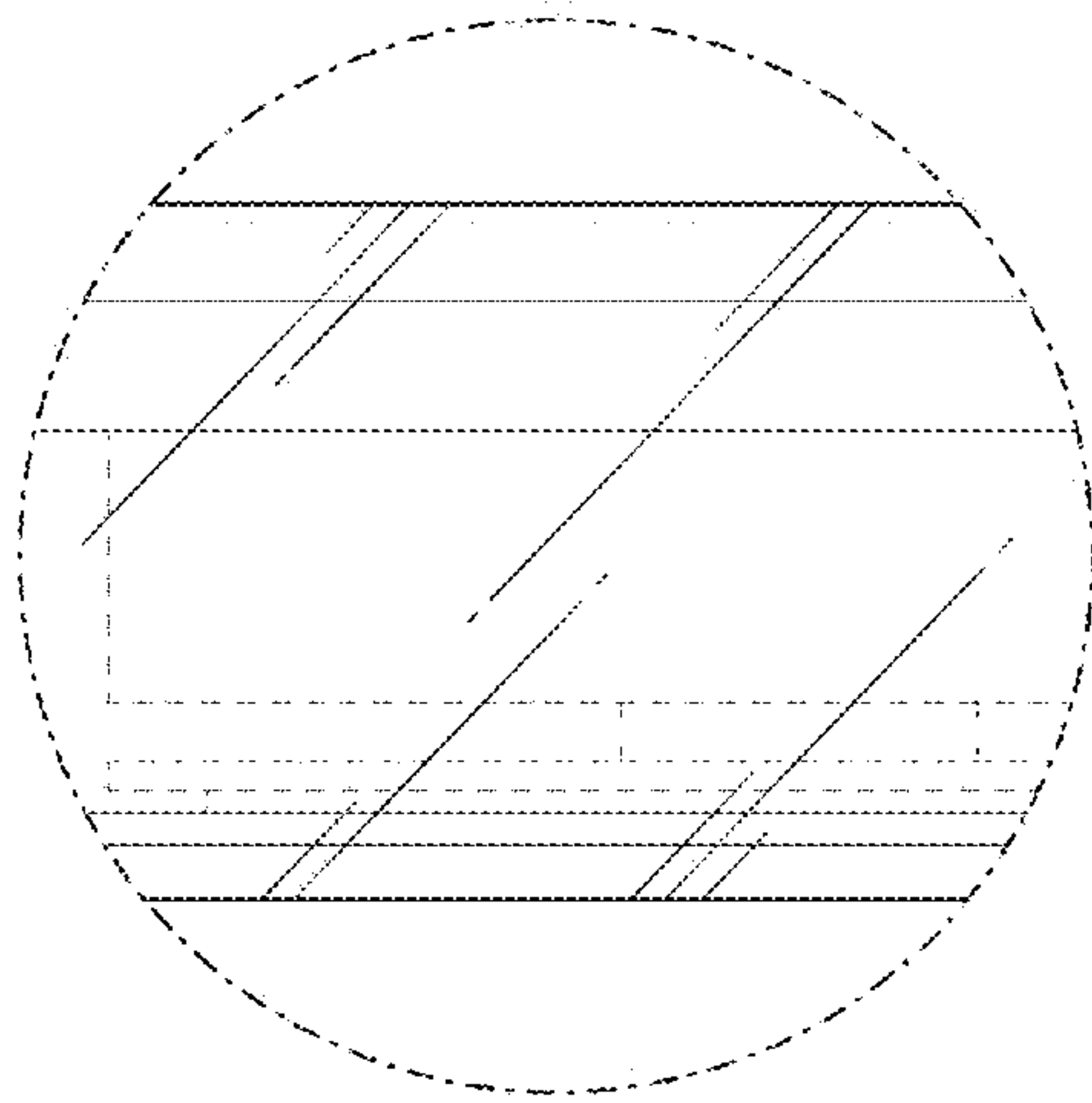


FIG. 10

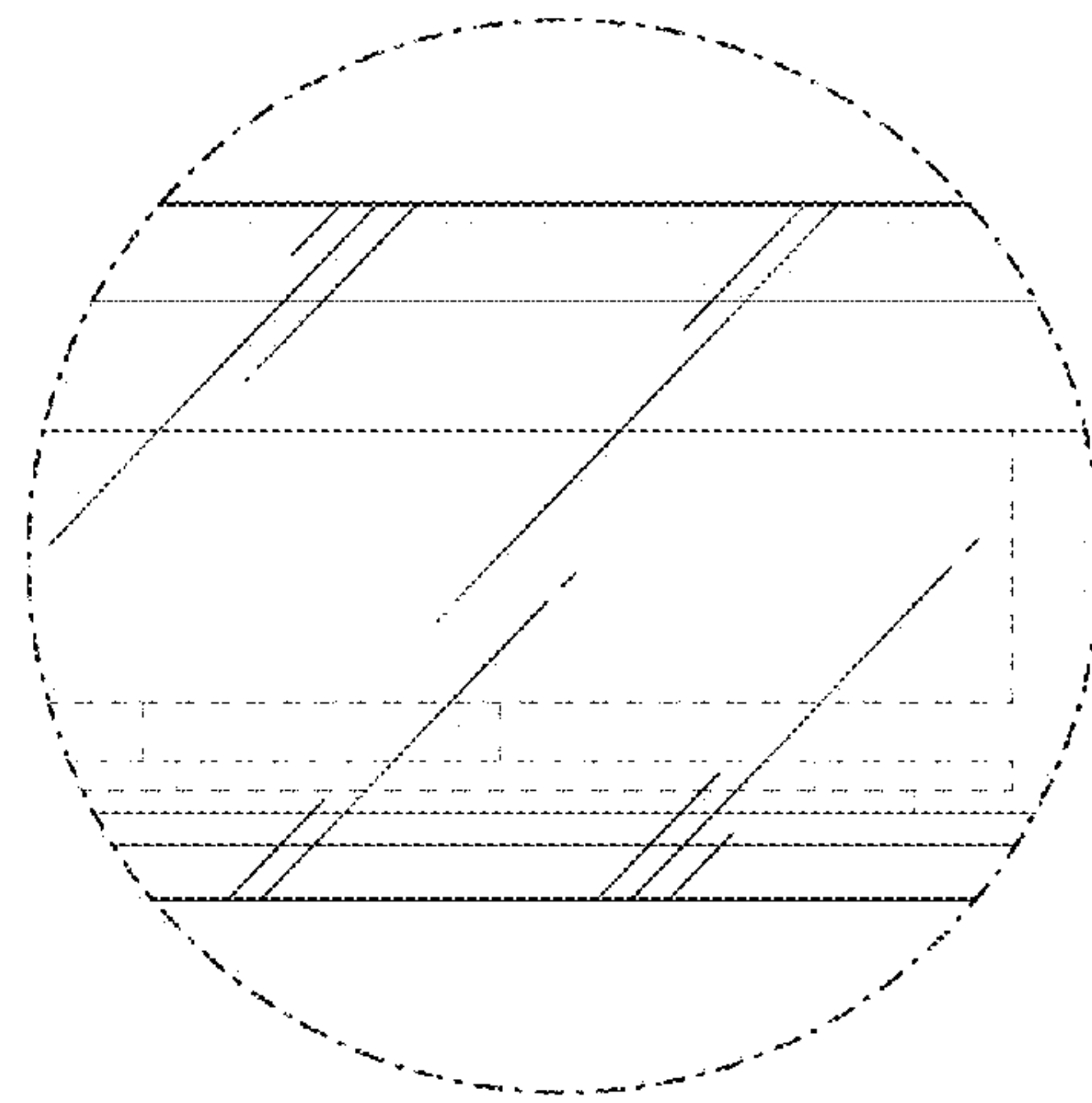


FIG. 11

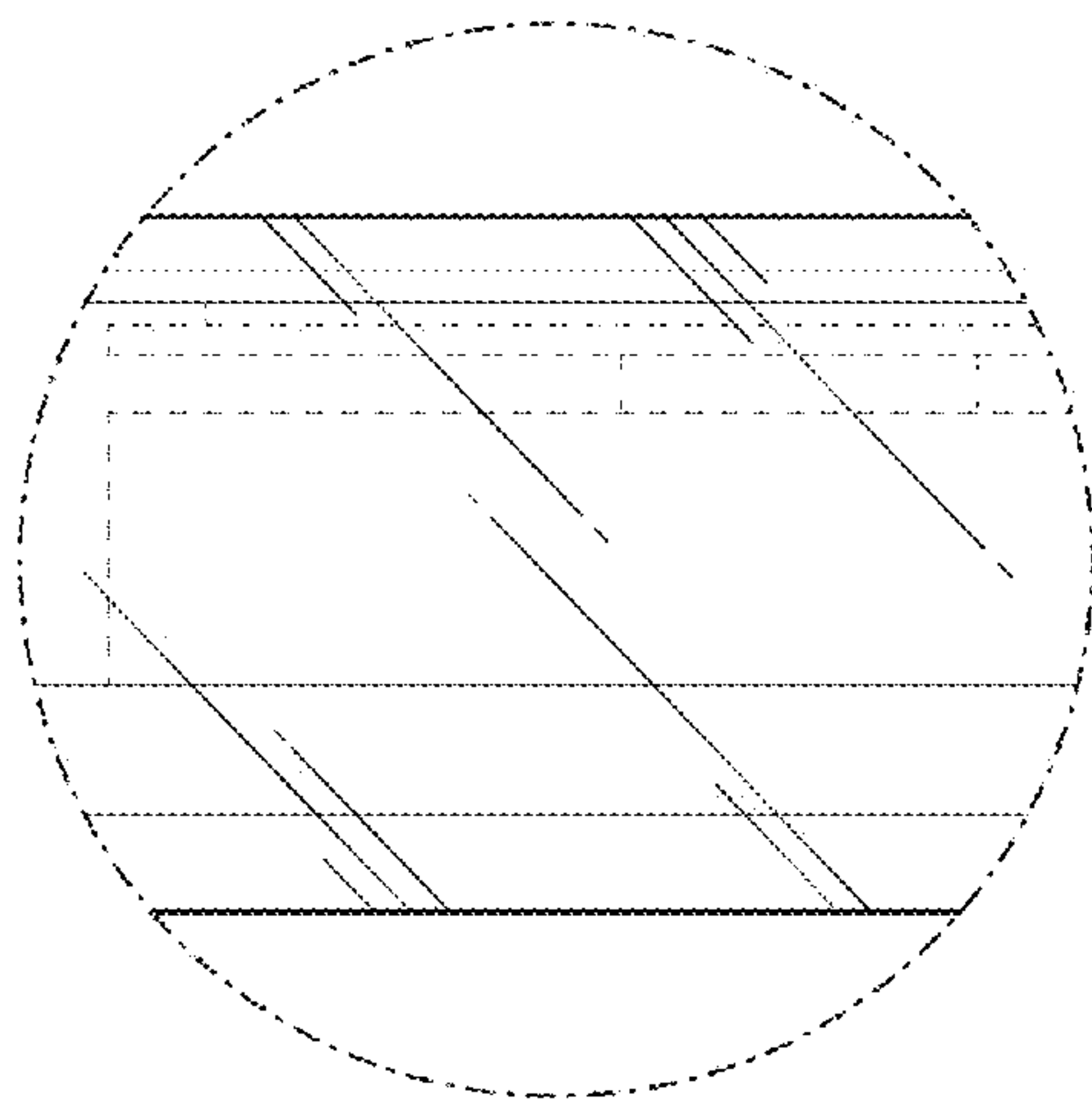


FIG. 12

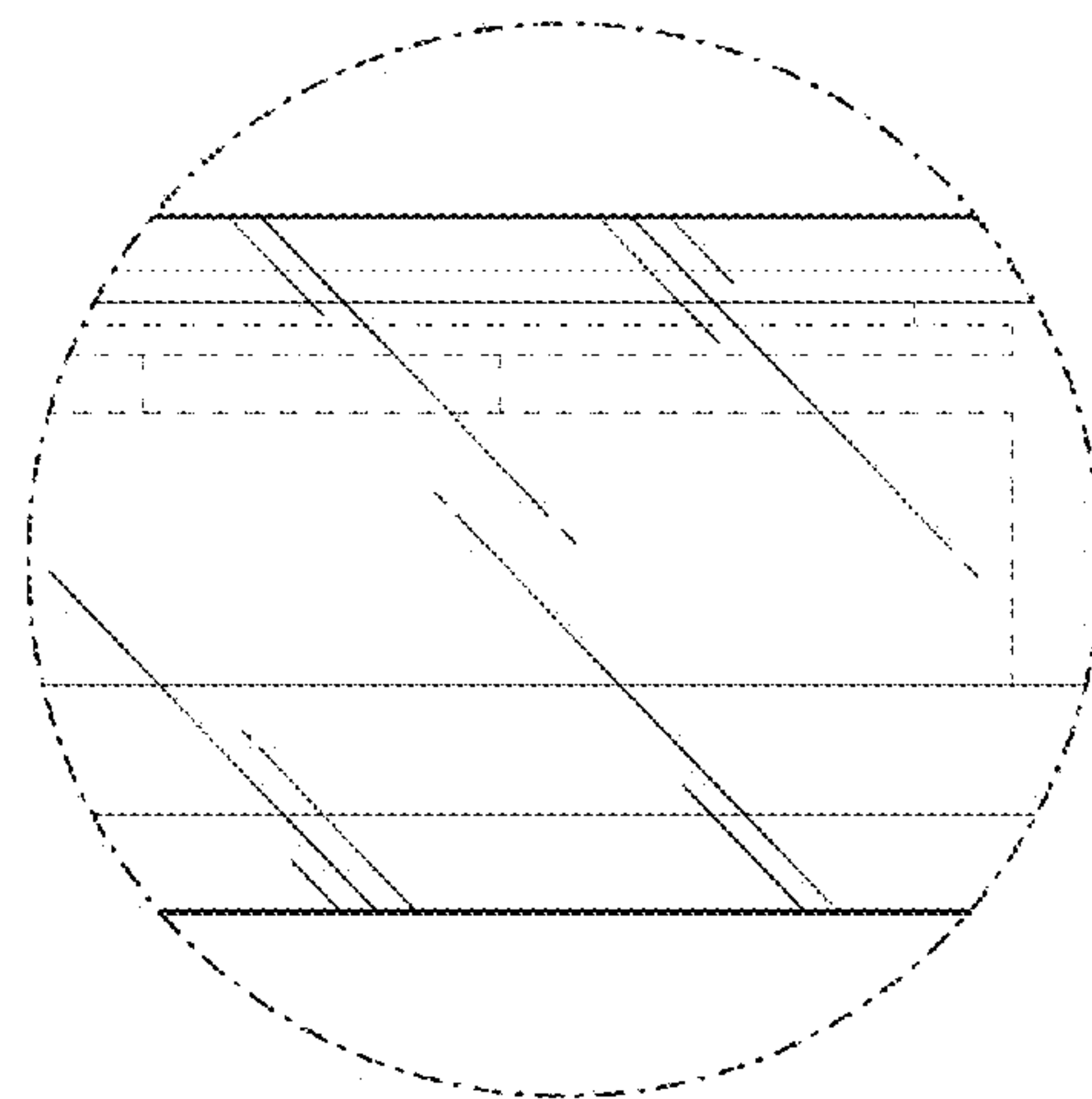


FIG. 13