



US00D751830S

(12) **United States Design Patent**
Speckhart

(10) **Patent No.:** **US D751,830 S**

(45) **Date of Patent:** **** Mar. 22, 2016**

(54) **DISPLAY FRAME**

(71) Applicant: **Mary Speckhart**, Short Hills, NJ (US)

(72) Inventor: **Mary Speckhart**, Short Hills, NJ (US)

(**) Term: **14 Years**

(21) Appl. No.: **29/512,704**

(22) Filed: **Dec. 22, 2014**

(51) **LOC (10) Cl.** **06-07**

(52) **U.S. Cl.**
USPC **D6/313**

(58) **Field of Classification Search**
USPC D6/300-314, 672, 675.2, 677.2, 680.2,
D6/681, 681.1; D8/402, 403; D11/95-98;
D20/15, 17, 42-44, 99
CPC G09F 2007/1847; G09F 7/18
See application file for complete search history.

(56) **References Cited**

U.S. PATENT DOCUMENTS

D140,319 S *	2/1945	Eubank	D6/314
D173,428 S *	11/1954	Harter	D20/43
D246,625 S *	12/1977	Becker, III	D8/403
D267,460 S *	1/1983	Heintz	D6/314
D268,847 S *	5/1983	Hollister, Sr.	D19/20
4,706,400 A *	11/1987	Howard	G09F 7/18 40/607.11
D301,953 S *	7/1989	Evenson	D11/164
D333,607 S *	3/1993	Isler	D12/414
D376,915 S *	12/1996	van Quach	D6/300
D377,312 S *	1/1997	Runaldue	D8/403
D411,739 S *	6/1999	Havens	D8/403
D412,436 S *	8/1999	Tsui	D8/403
D414,623 S *	10/1999	Crump	D6/672
D435,351 S *	12/2000	Kuo	D6/300
D463,170 S *	9/2002	Schultz	D6/707.24
6,530,166 B1 *	3/2003	Garfinkle	G09F 3/20 40/606.14
D478,502 S *	8/2003	Zamberg	D8/403

D479,799 S *	9/2003	Zamberg	D8/403
D503,045 S *	3/2005	Hahn	D6/300
D509,389 S *	9/2005	Paus	D6/300
D510,101 S *	9/2005	Bushey	D19/1
D550,461 S *	9/2007	Siegel	D6/301
D559,090 S *	1/2008	Nawrocki	D8/373
D565,307 S *	4/2008	Hunting	D6/300
D625,595 S *	10/2010	Park	D8/402
D664,600 S *	7/2012	Clark	D20/41

* cited by examiner

Primary Examiner — Cathron Brooks

Assistant Examiner — Teddy Falloway

(74) *Attorney, Agent, or Firm* — Gearhart Law, LLC

(57) **CLAIM**

The ornamental design for a display frame, as shown and described.

DESCRIPTION

FIG. 1 is a perspective view of the frame.

FIG. 2 is a front view of the present invention as shown FIG. 1.

FIG. 3 is a back view thereof.

FIG. 4 is a right side view of FIG. 1.

FIG. 5 is a left side view of FIG. 1.

FIG. 6 is a top view of FIG. 1.

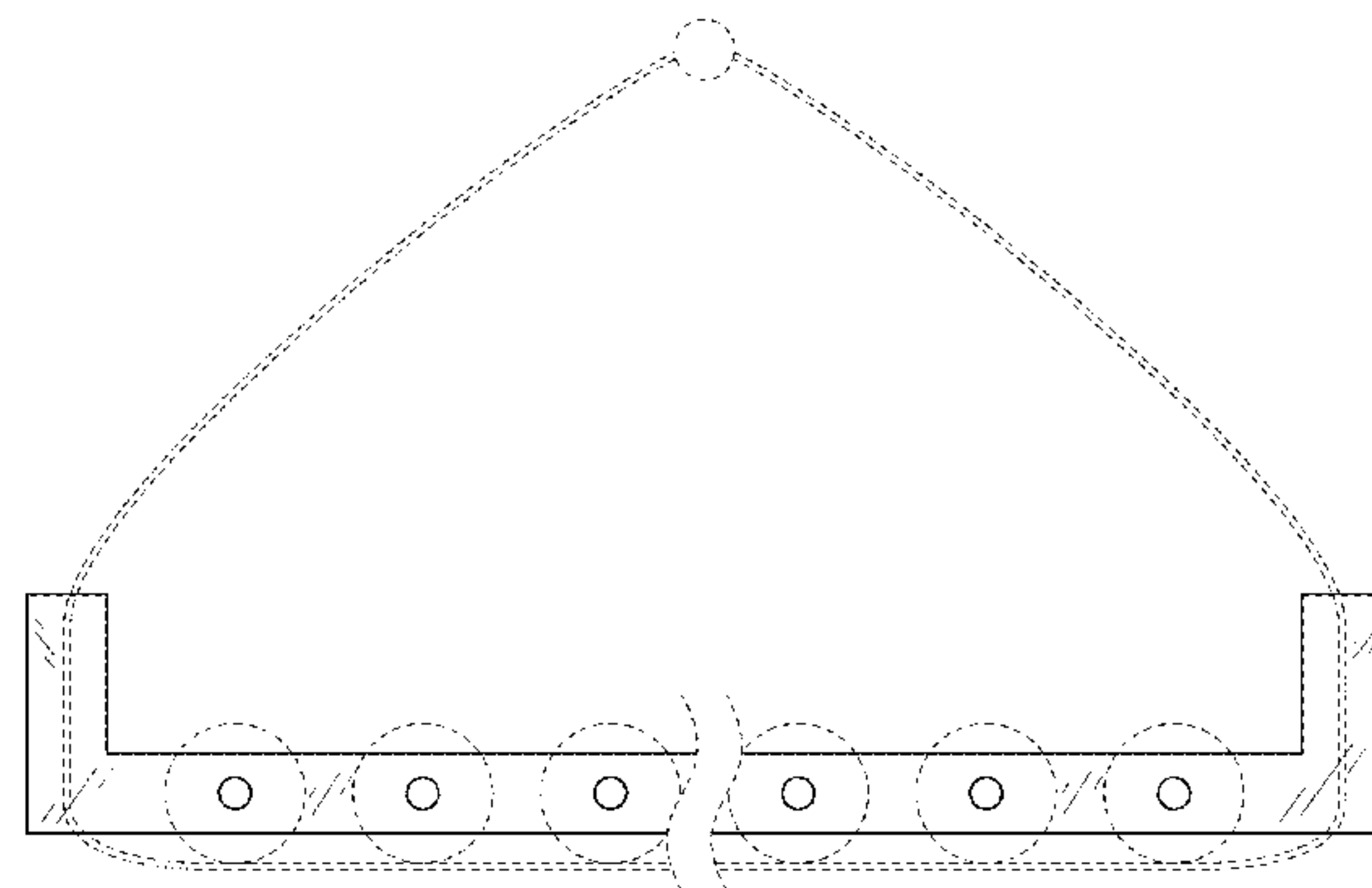
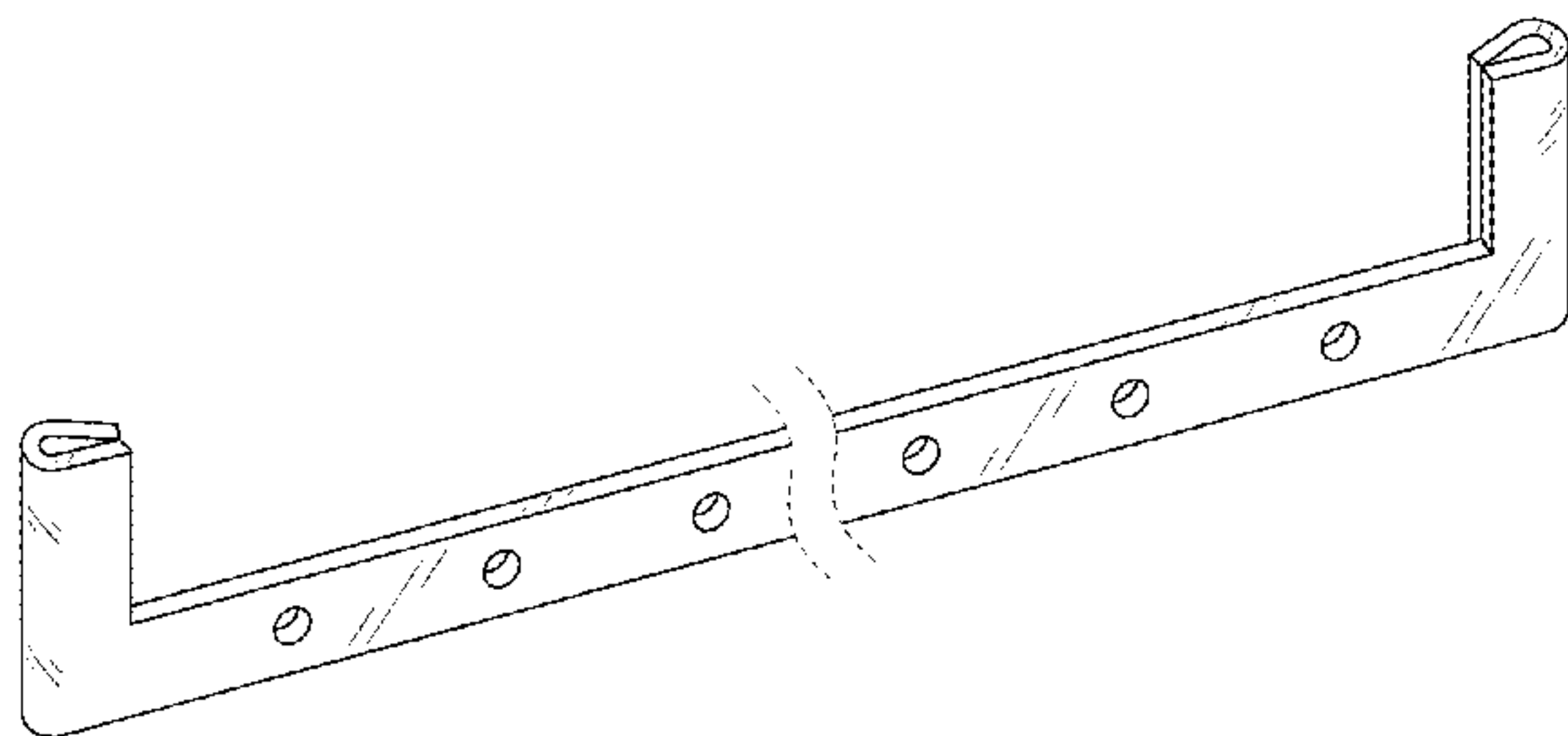
FIG. 7 is a bottom view thereof; and,

FIG. 8 is a front view of a hanging single tier display frame with adornments attached thereto.

The broken lines showing a hanging device and adornments are included for the purpose of illustrating environmental structure and form no part of the claimed design. The wavy broken lines represent break lines and form no part of the claimed design.

In addition, the display frame is shown with a symbolic break in its width, represented by the wavy broken lines. The appearance of any portion of the article between the wavy broken lines forms no part of the claimed design.

1 Claim, 4 Drawing Sheets



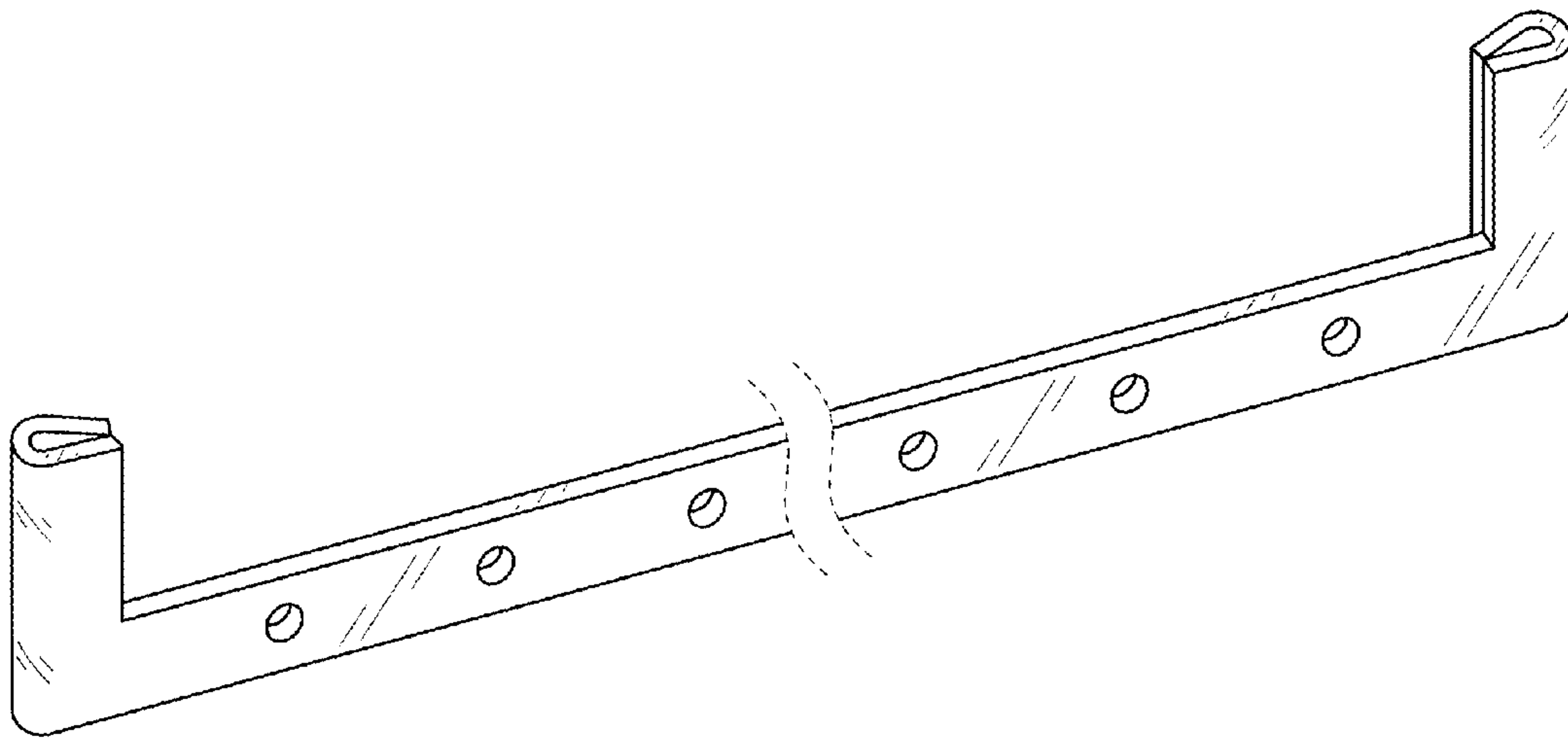


FIG. 1

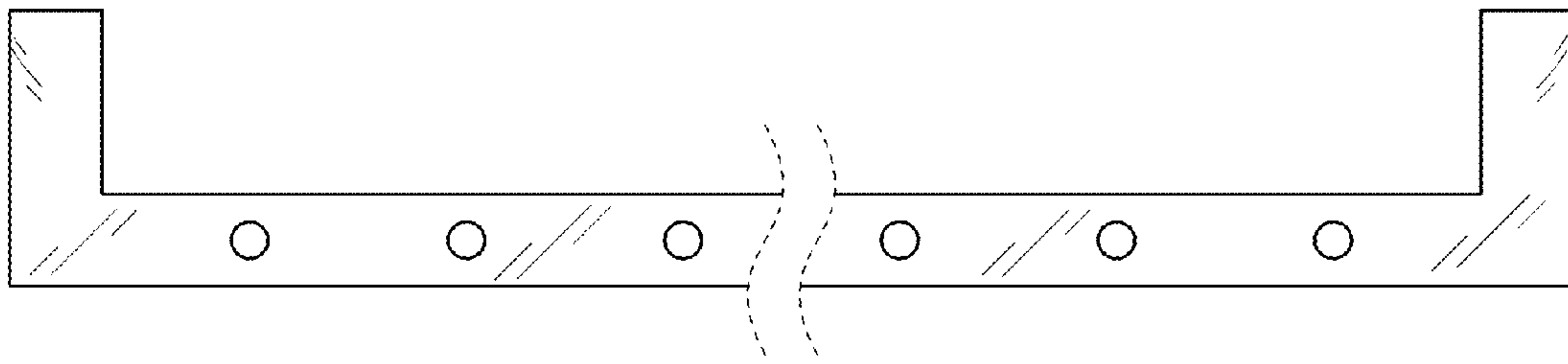


FIG. 2

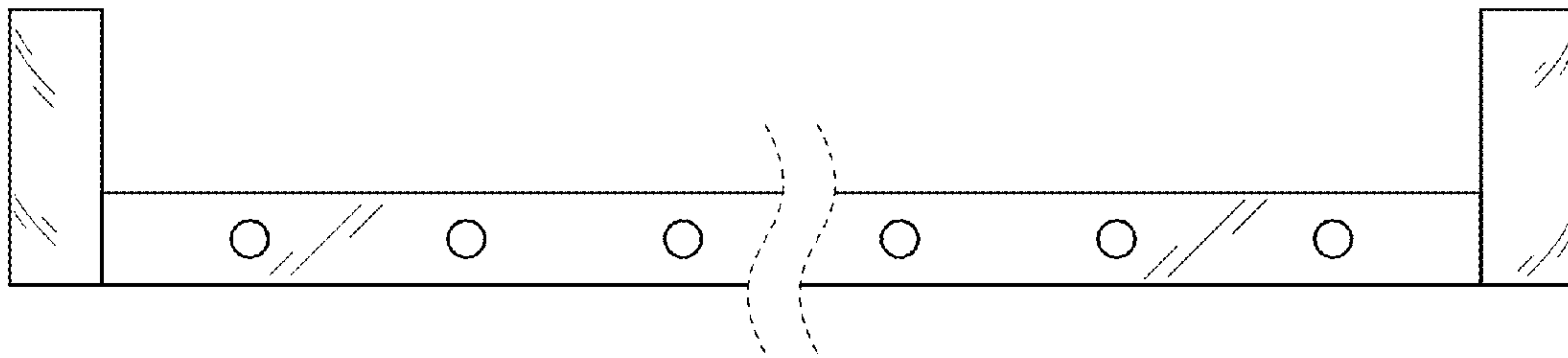


FIG. 3



FIG. 4



FIG. 5

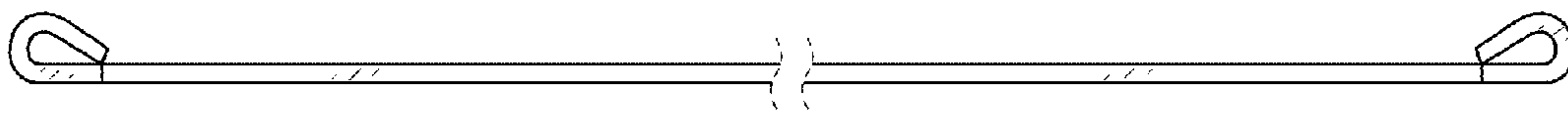


FIG. 6

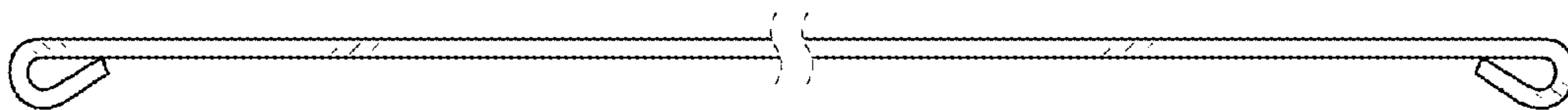


FIG. 7

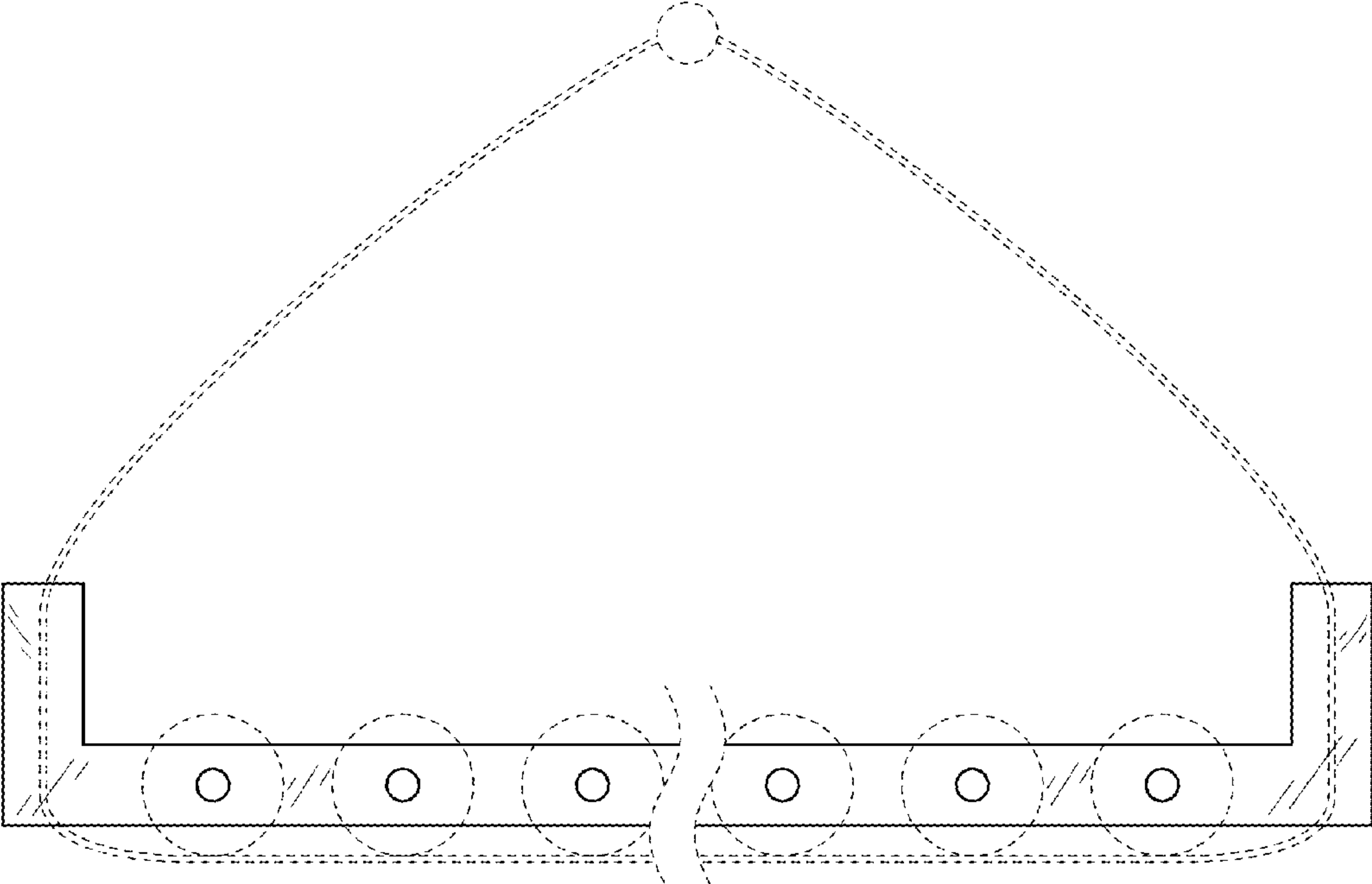


FIG. 8