



US00D751823S

(12) **United States Design Patent**  
**Radzwill**

(10) **Patent No.:** **US D751,823 S**  
(45) **Date of Patent:** **\*\* Mar. 22, 2016**

(54) **TEDDY-BEAR-SHAPED TOOTHBRUSH**

(71) Applicant: **Eric Radzwill**, Fort Lauderdale, FL (US)

(72) Inventor: **Eric Radzwill**, Fort Lauderdale, FL (US)

(\*\*) Term: **14 Years**

(21) Appl. No.: **29/460,068**

(22) Filed: **Jul. 8, 2013**

(51) **LOC (10) Cl.** ..... **04-02**

(52) **U.S. Cl.**  
USPC ..... **D4/107**

(58) **Field of Classification Search**

USPC ..... D4/104–112, 124, 125; 15/143.1, 110,  
15/167.1, 167.2, 207.2; 601/139, 141  
CPC ..... A46B 5/02; A46B 5/021; A46B 5/023;  
A46B 5/025; A46B 7/00; A46B 7/04; A46B  
9/00; A46B 9/02; A46B 9/04; A46B 9/045;  
A46B 9/06; A46B 15/0089; A46B 2200/1026;  
A46B 2200/1066; A46B 2200/1073; A46B  
2200/1083

See application file for complete search history.

(56) **References Cited**

**U.S. PATENT DOCUMENTS**

2,225,331	A *	12/1940	Campbell	.....	15/188
D192,025	S *	1/1962	Rudnick	.....	D4/104
D234,651	S *	4/1975	Buckley	.....	D4/104
4,139,312	A *	2/1979	Marano et al.	.....	401/176
D259,976	S *	7/1981	Seelig	.....	D4/104
D268,795	S *	5/1983	Ohama	.....	D4/104
D312,729	S *	12/1990	Auttajark	.....	D4/104
D357,123	S *	4/1995	Brown et al.	.....	D4/104
D469,959	S *	2/2003	Beydoun	.....	D4/104
D602,695	S *	10/2009	Koye	.....	D4/107
D656,734	S *	4/2012	Carpenter	.....	D4/104

**FOREIGN PATENT DOCUMENTS**

DE 20117672 U1 \* 3/2002

**OTHER PUBLICATIONS**

CN 3165953—Patent Detail, (Lai Shourong) 200-11-15, [online], [retrieved on May 8, 2015] Retrieved from the Design Database of the State Intellectual Property Office of the P.R.C. using the Internet: <URL: http://epub;sipo.gov.cn>.\*

\* cited by examiner

*Primary Examiner* — Melanie H Tung

*Assistant Examiner* — Lavone D Tabor

(74) *Attorney, Agent, or Firm* — The Concept Law Group, P.A.; Scott D. Smiley; Mark C. Johnson

(57) **CLAIM**

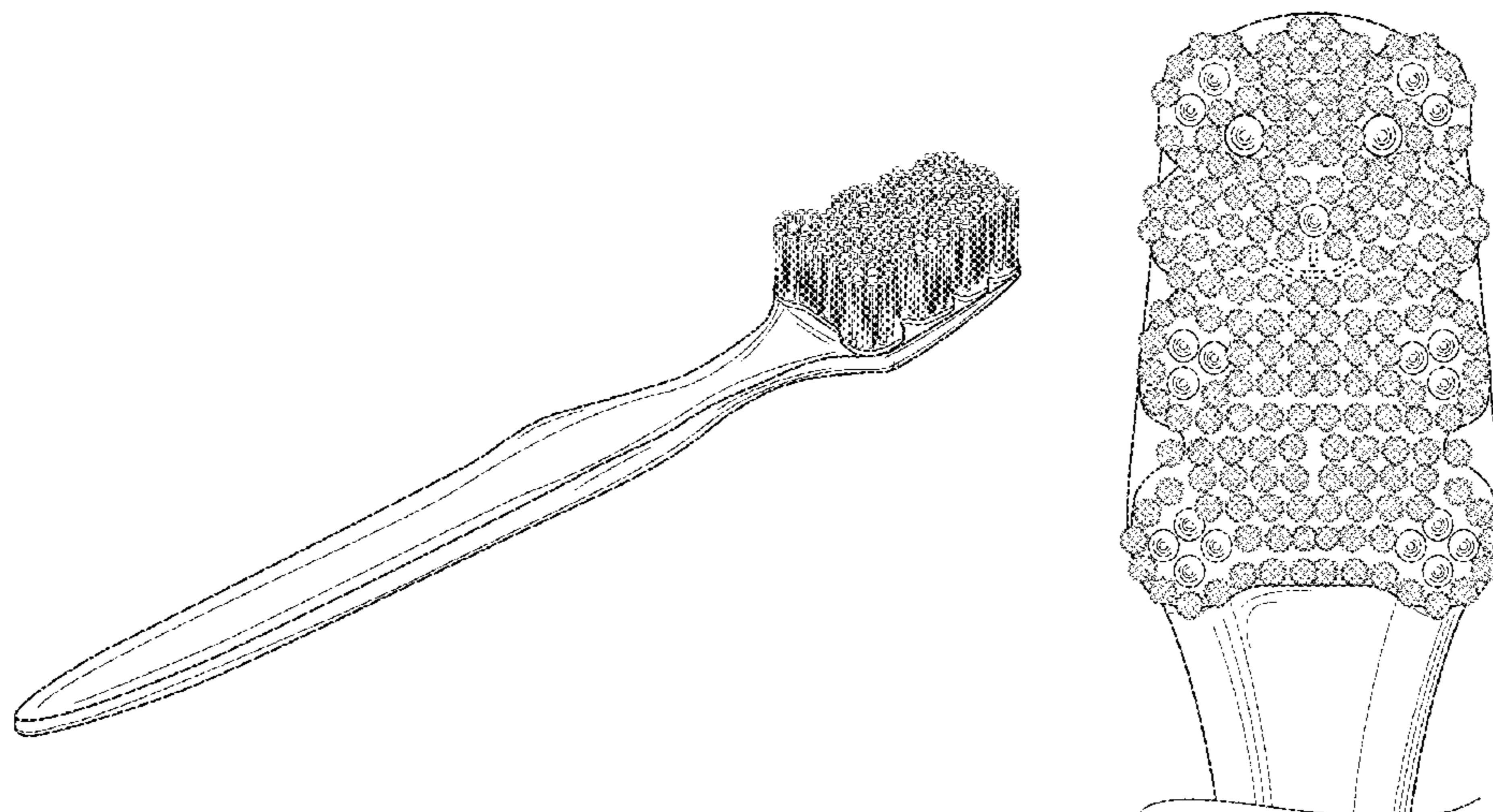
The ornamental design for a teddy-bear-shaped toothbrush, as shown and described.

**DESCRIPTION**

FIG. 1 is a perspective view of a teddy-bear-shaped toothbrush in accordance with the present invention; FIG. 2 is a close up view of the head as shown in FIG. 1; FIG. 3 is a top view thereof; FIG. 4 is a close up view of the head as shown in FIG. 3; FIG. 5 is a first side view thereof; FIG. 6 is a close up view of the head as shown in FIG. 5; FIG. 7 is a second side view thereof; FIG. 8 is a close up view of the head as shown in FIG. 7; FIG. 9 is an enlarged bristle-end view thereof; FIG. 10 is an enlarged head-end view thereof; and, FIG. 11 is a bottom view thereof.

The features shown in broken lines in FIGS. 3 and 4 illustrate portions of the teddy-bear-shaped toothbrush that form no part of the claimed design.

**1 Claim, 6 Drawing Sheets**



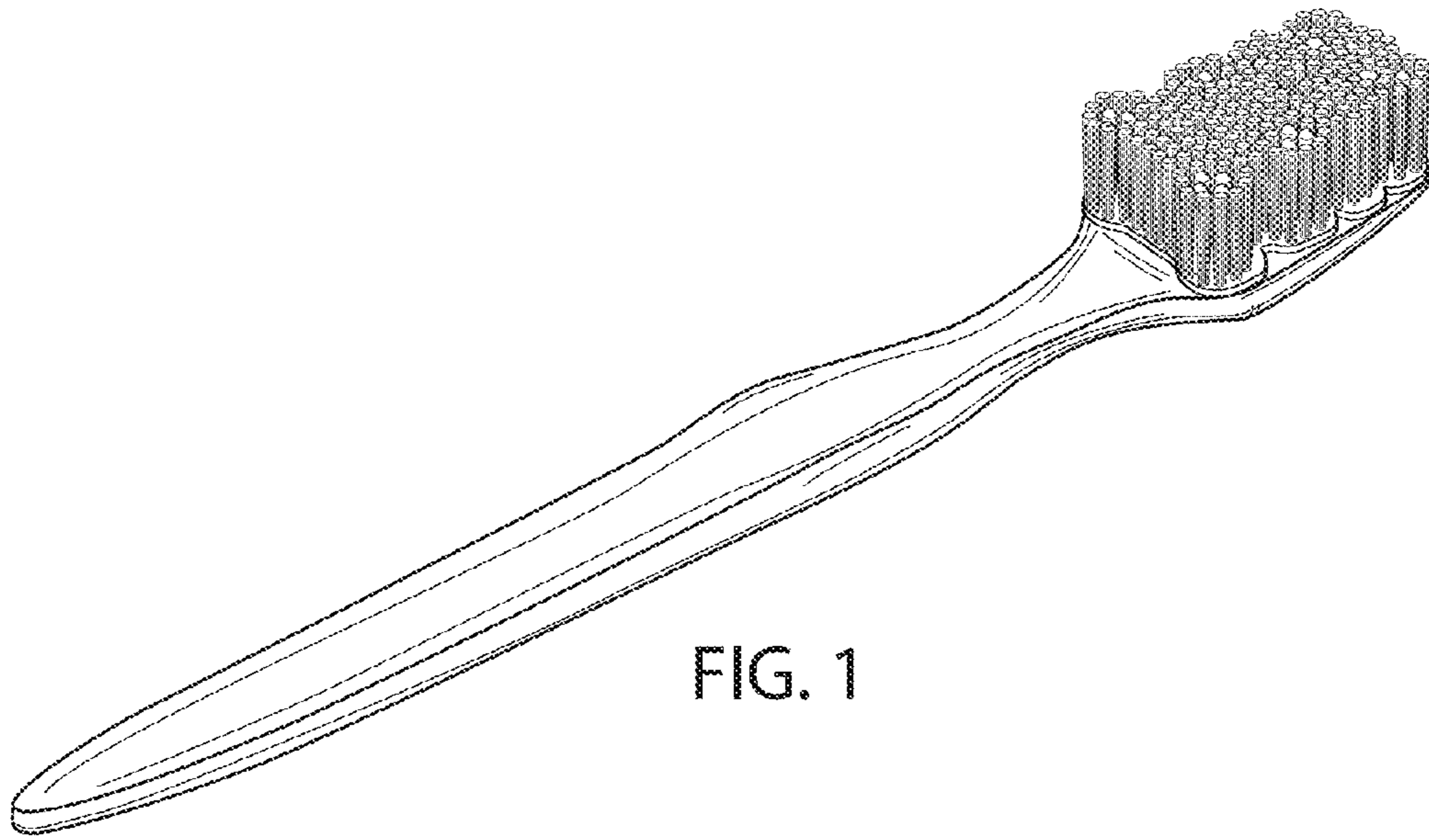


FIG. 1

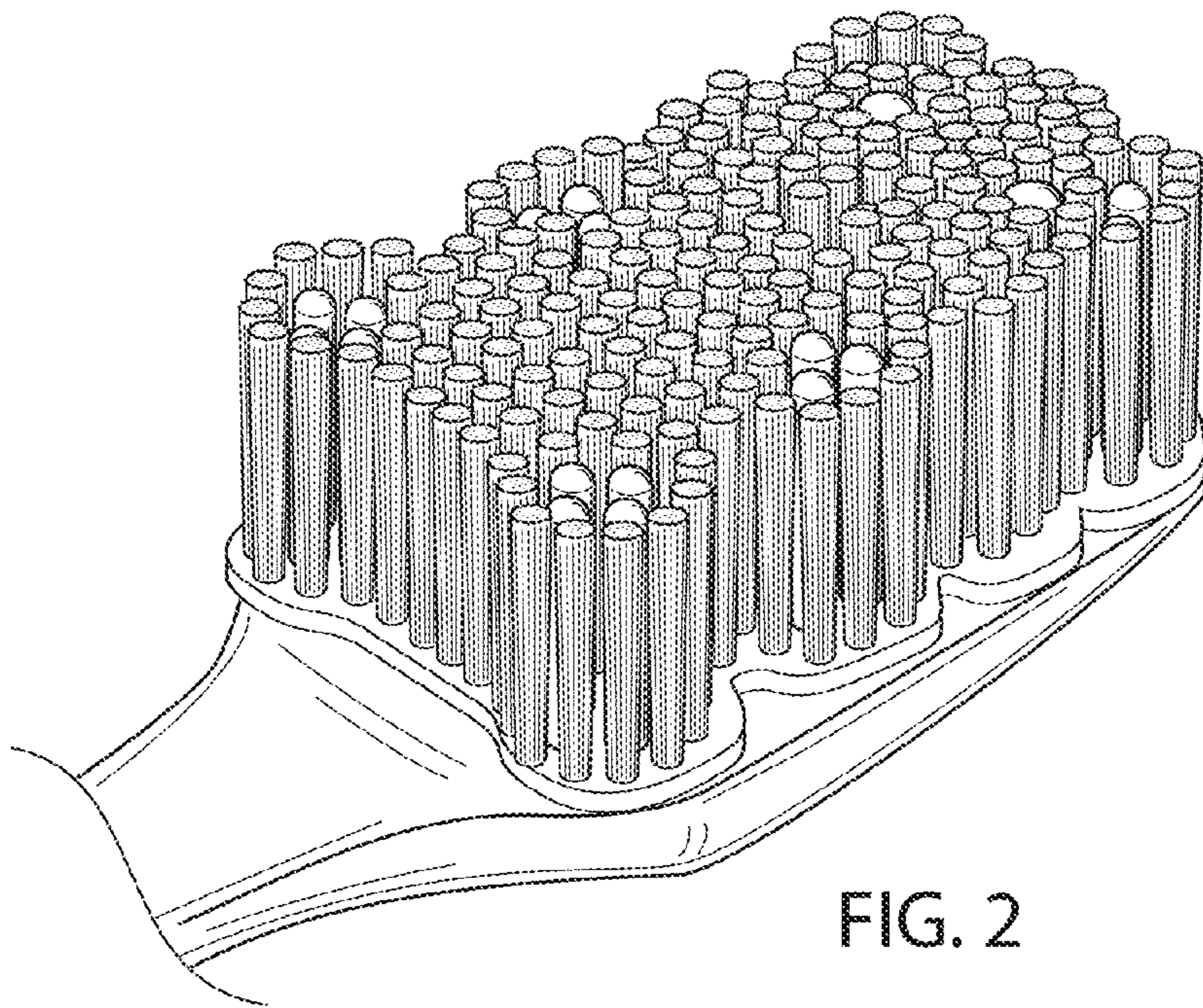


FIG. 2



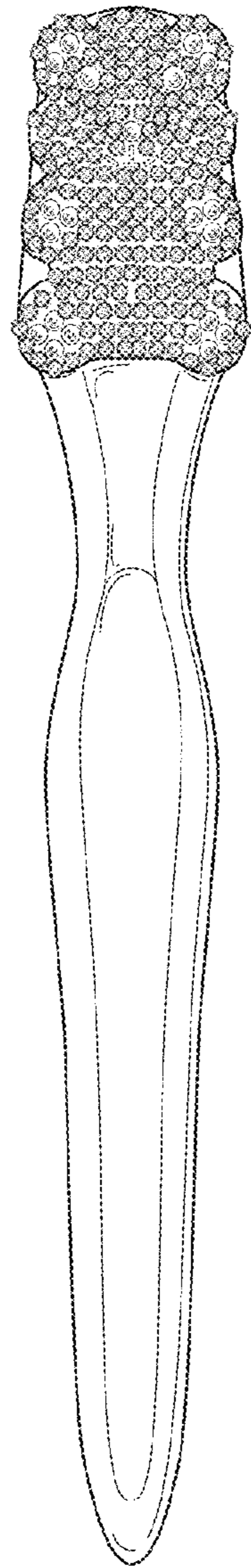


FIG. 3

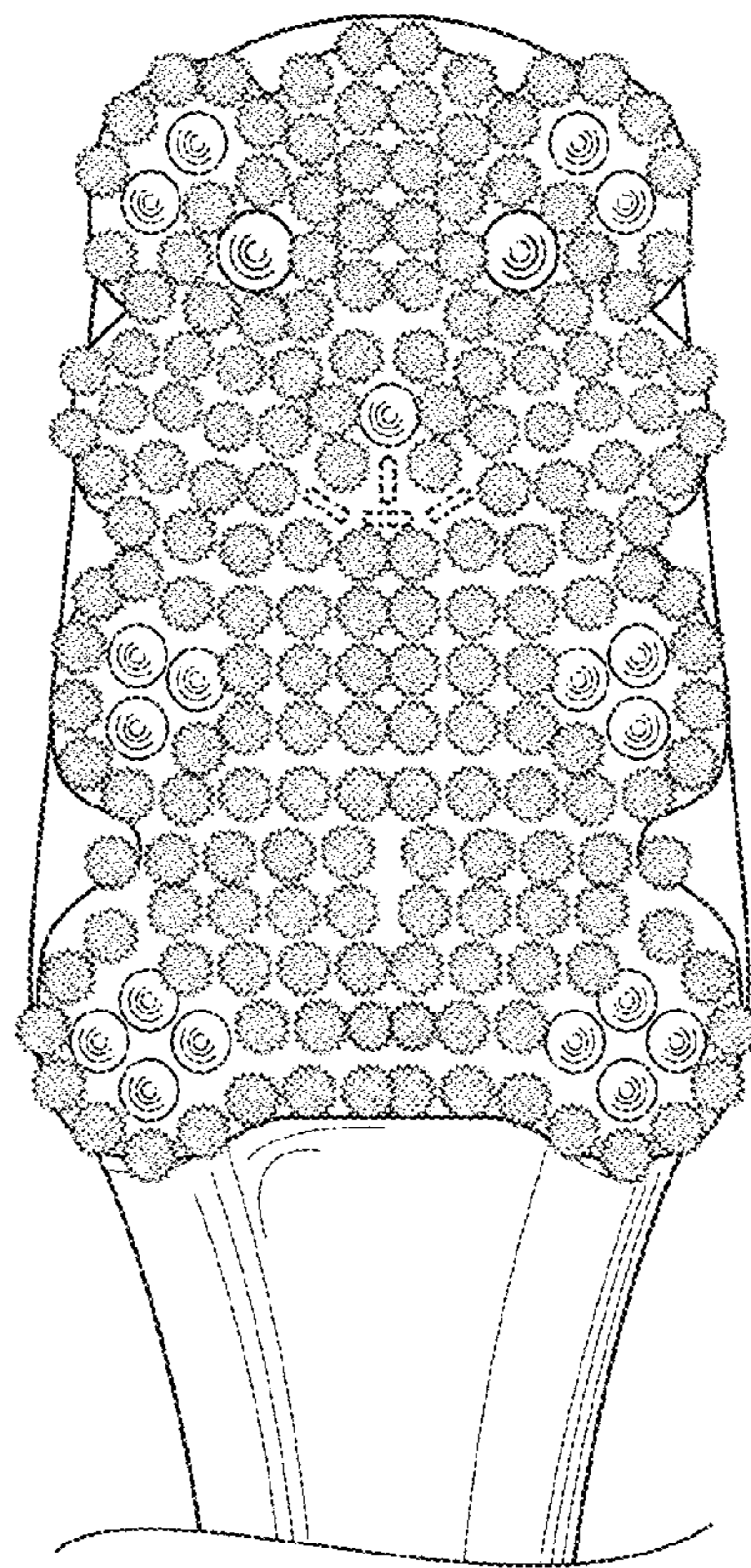


FIG. 4

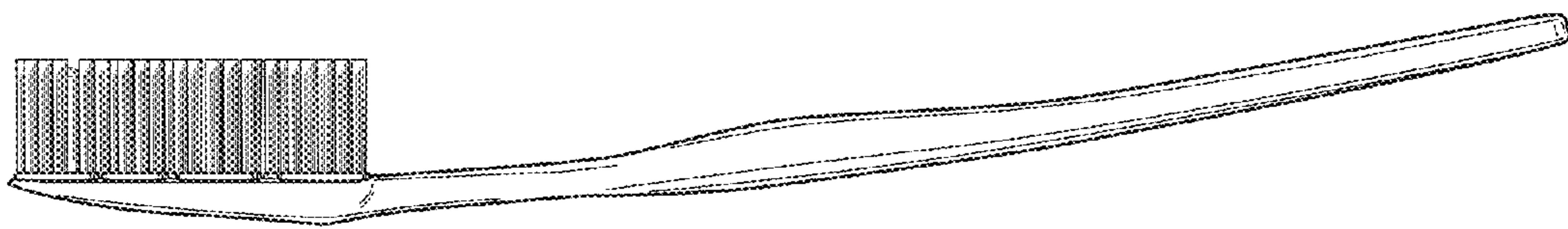


FIG. 5

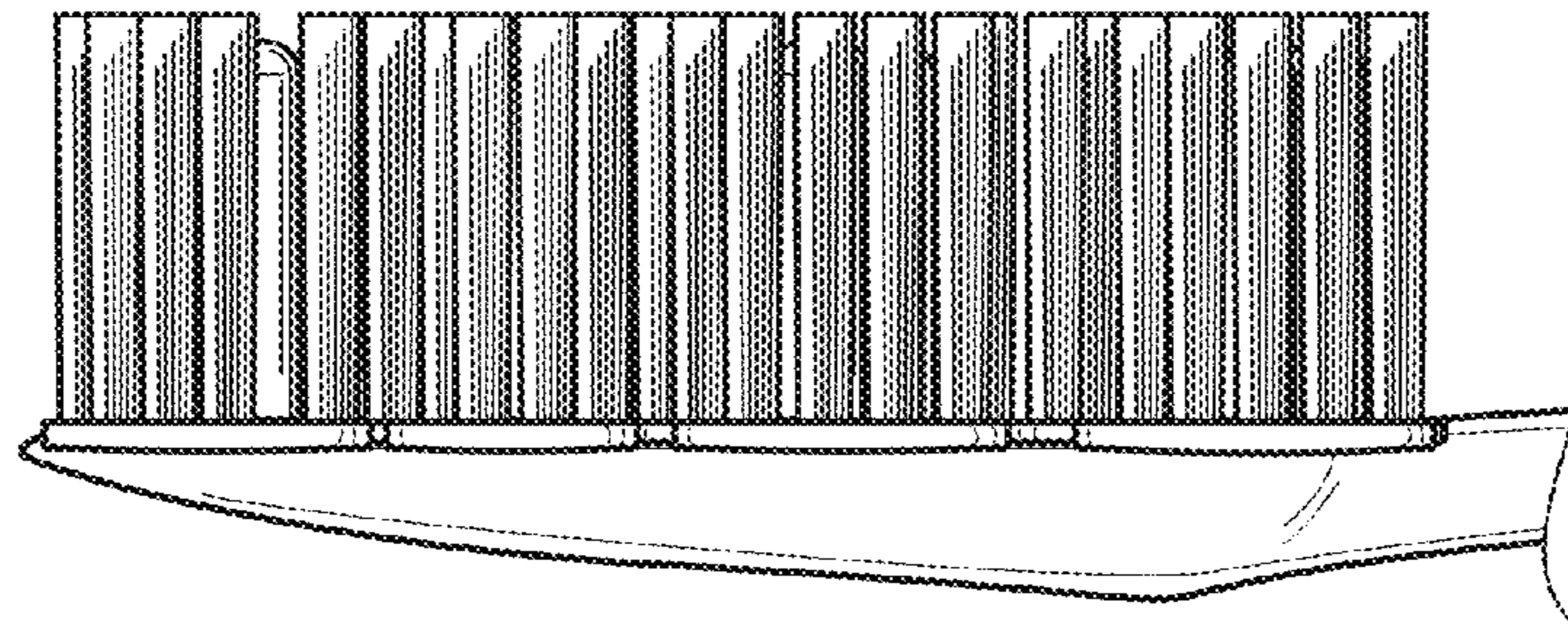


FIG. 6

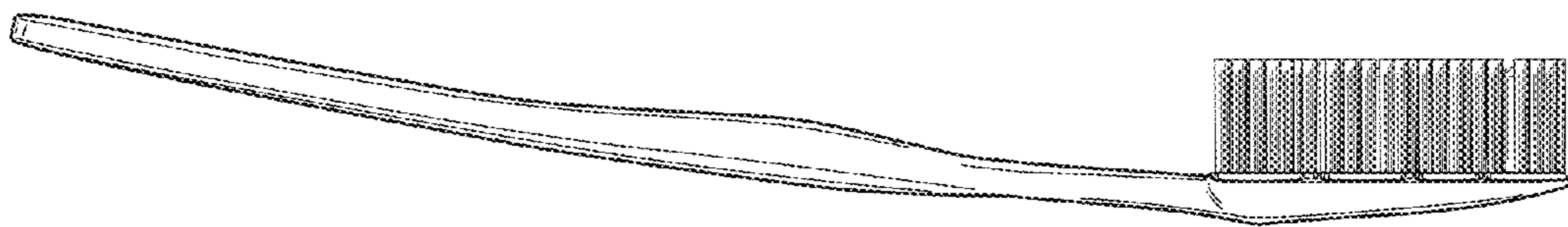


FIG. 7

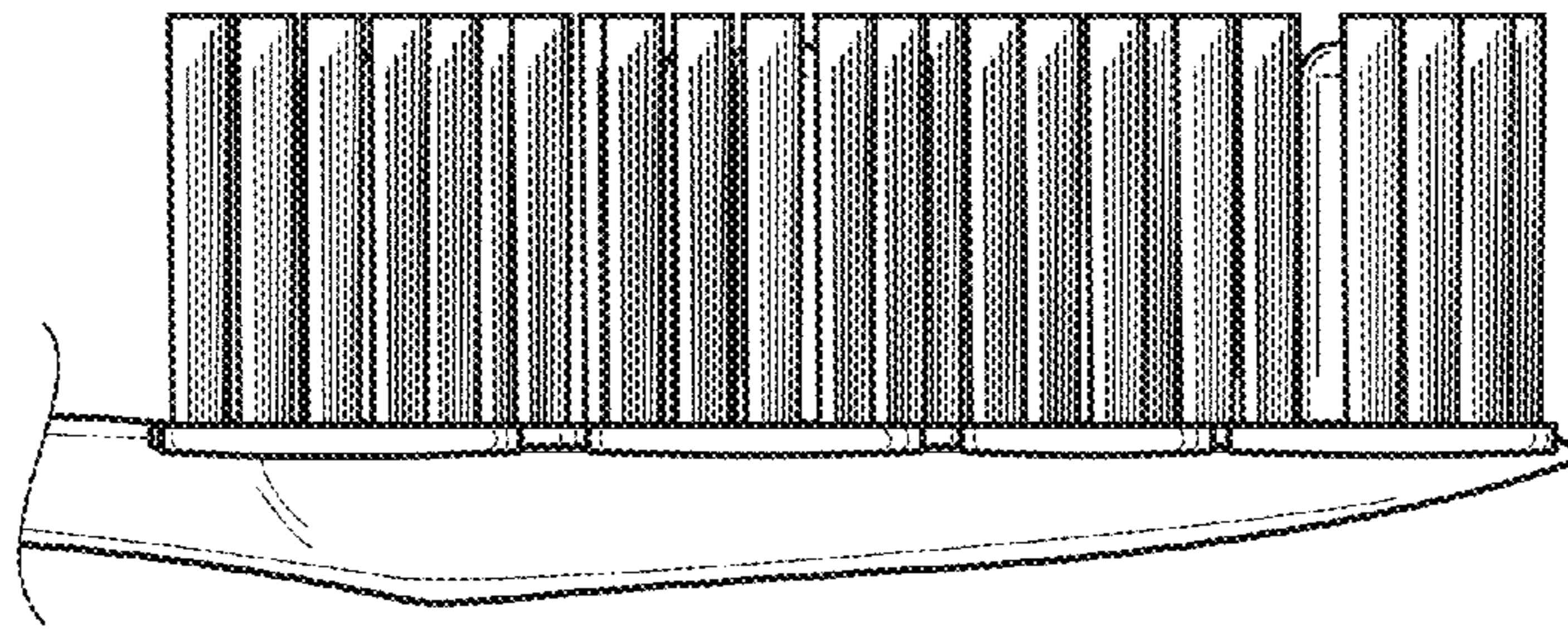


FIG. 8



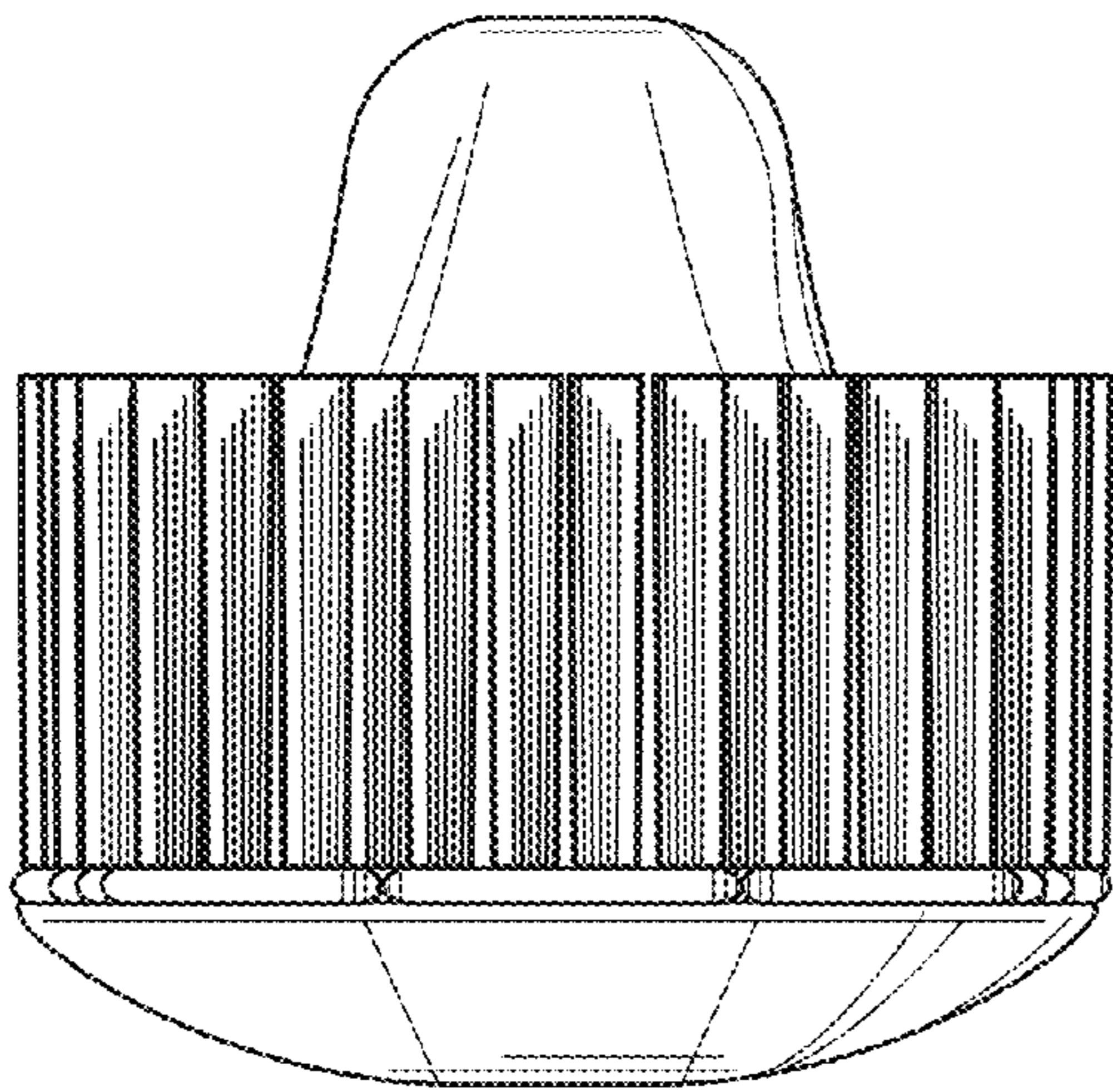


FIG. 9

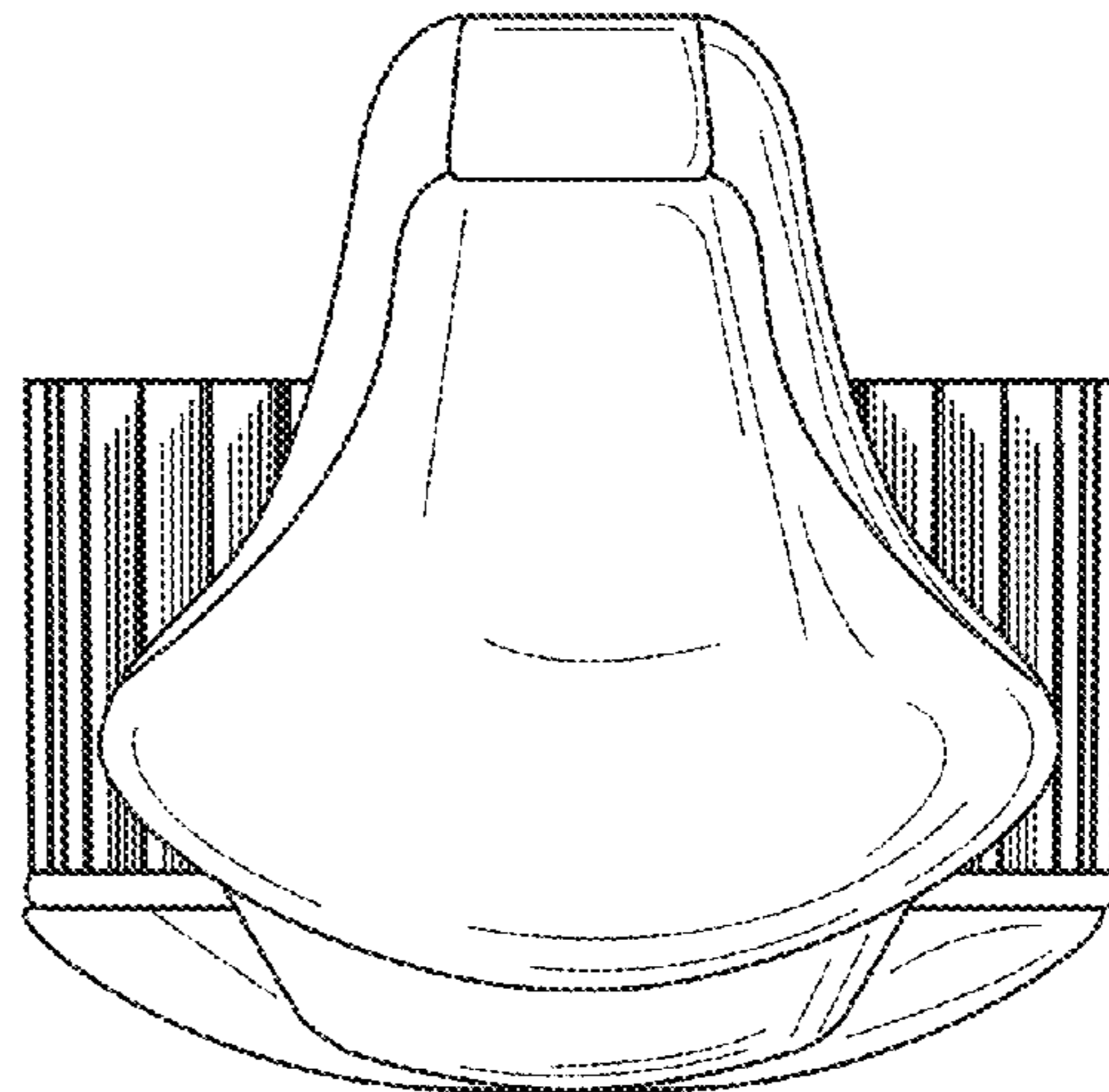


FIG. 10

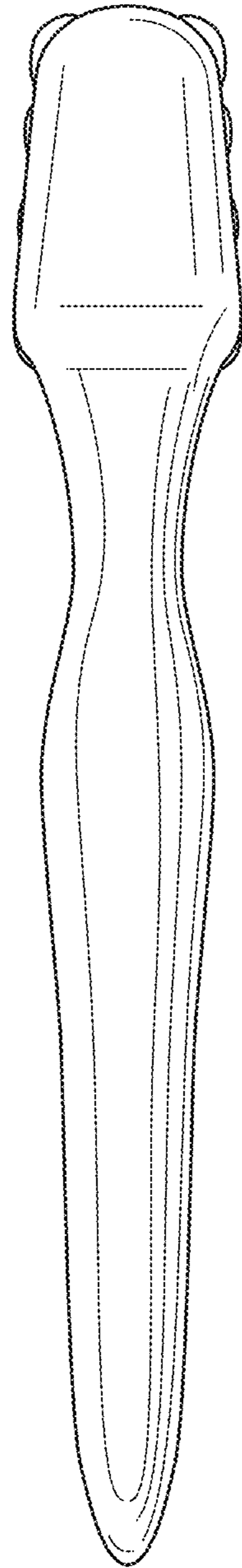


FIG. 11