

US00D751822S

(12) **United States Design Patent**  
**Zoghbi**

(10) **Patent No.:** **US D751,822 S**  
(45) **Date of Patent:** **\*\* \*Mar. 22, 2016**

(54) **HANDLE CONNECTOR FOR A ROTATING BRUSH HEAD**

(71) Applicant: **Chebl Zoghbi**, Cape Coral, FL (US)

(72) Inventor: **Chebl Zoghbi**, Cape Coral, FL (US)

(\*) Notice: This patent is subject to a terminal disclaimer.

(\*\*) Term: **14 Years**

(21) Appl. No.: **29/496,108**

(22) Filed: **Jul. 9, 2014**

(51) **LOC (10) Cl.** ..... **04-02**

(52) **U.S. Cl.**  
USPC ..... **D4/104**; D4/109; D8/382

(58) **Field of Classification Search**  
USPC ..... D4/104-113, 121; D24/152, 176;  
15/167.1-167.2; 32/308-311; D8/307,  
D8/310, 352, 382, 394, 397, 399  
CPC ..... A45D 44/18; A45D 1/10; A46B 5/0095;  
A46B 15/0055; A46B 15/0071; A46B  
15/0081; A46B 15/0087; A46B 17/04; A46B  
2200/1066; A61C 15/048; A61C 17/34;  
A61C 17/222

See application file for complete search history.

(56) **References Cited**

**U.S. PATENT DOCUMENTS**

D243,063 S \* 1/1977 Mooney ..... D8/397  
D302,795 S \* 8/1989 Finger ..... D7/387

D369,243 S \* 4/1996 Hunt ..... D4/104  
D371,956 S \* 7/1996 Steffes ..... D23/254  
D510,259 S \* 10/2005 Yoshimoto ..... D8/397  
D520,354 S \* 5/2006 Shirakawa ..... D8/397  
D520,866 S \* 5/2006 Shirakawa ..... D8/397  
D522,853 S \* 6/2006 Shirakawa ..... D8/397  
D524,149 S \* 7/2006 Kim ..... D8/397  
D636,933 S \* 4/2011 Newman ..... D28/7  
D656,318 S \* 3/2012 Zoghbi ..... D4/104  
D691,034 S \* 10/2013 Field ..... D8/399  
D695,600 S \* 12/2013 Fujioka ..... D8/382  
2004/0163195 A1 \* 8/2004 Pao ..... A46B 5/0054  
15/167.2

\* cited by examiner

*Primary Examiner* — Keli L Hill

(74) *Attorney, Agent, or Firm* — William E. Noonan

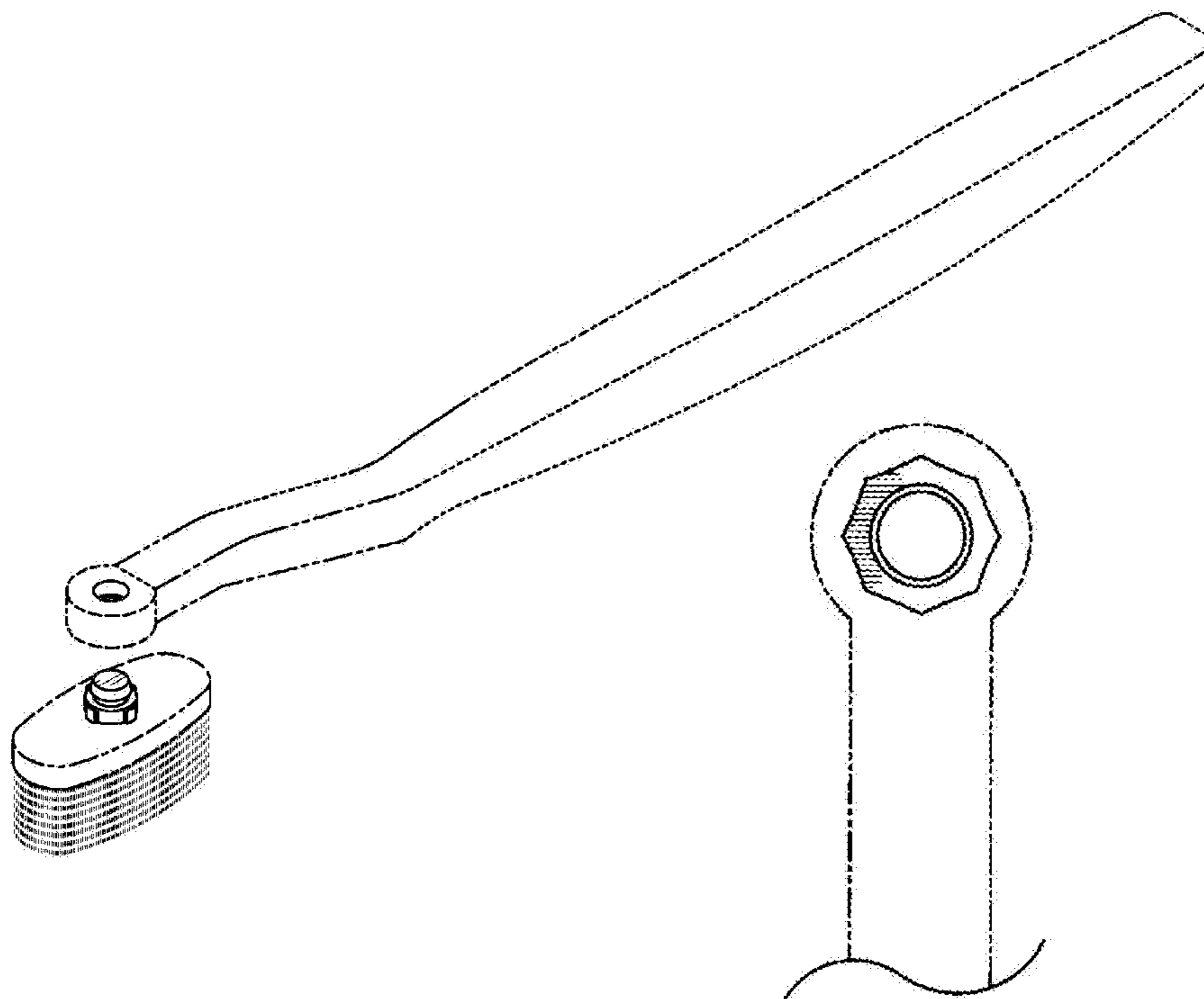
(57) **CLAIM**

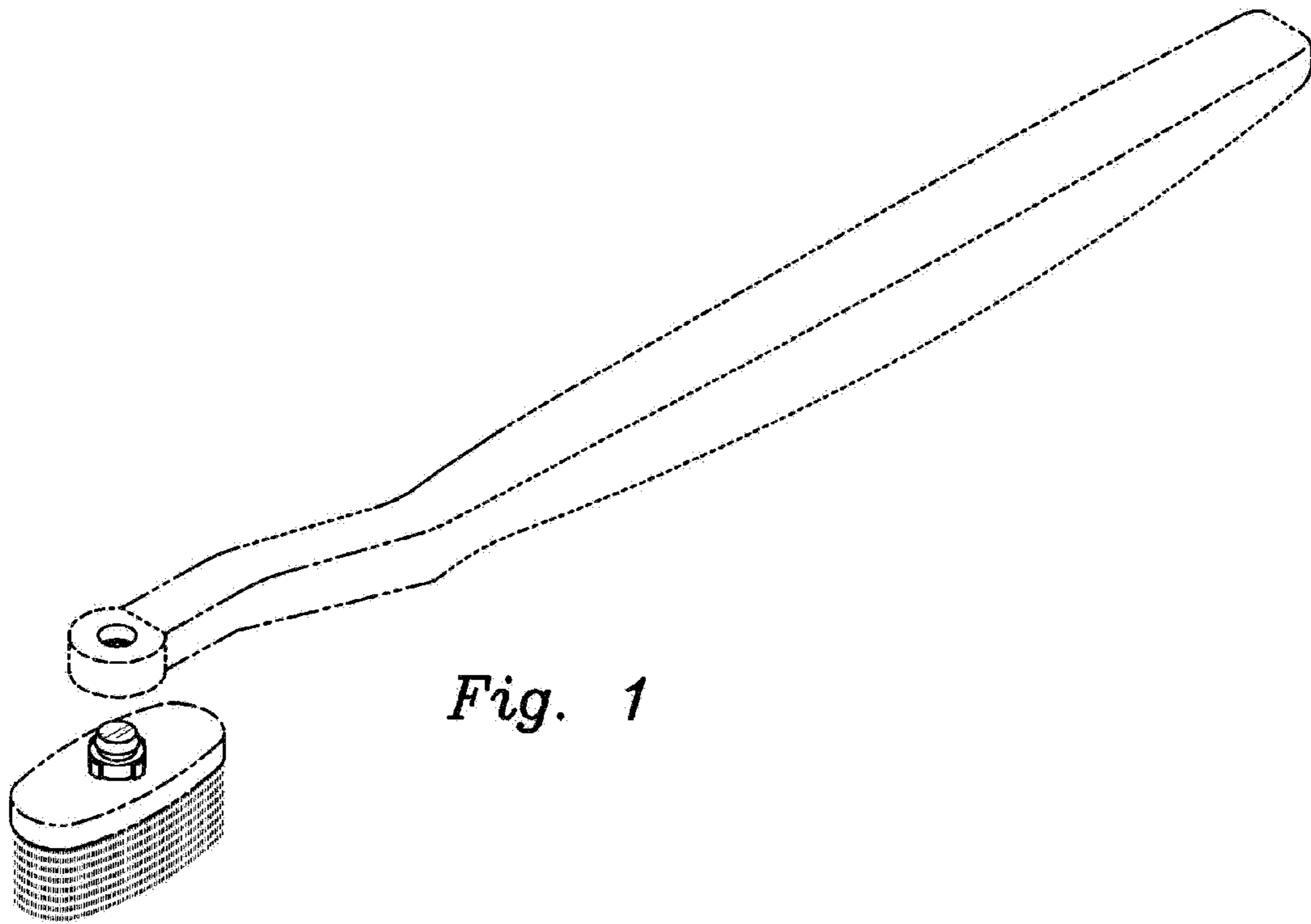
The ornamental design for a handle connector for a rotating brush head, as shown and described.

**DESCRIPTION**

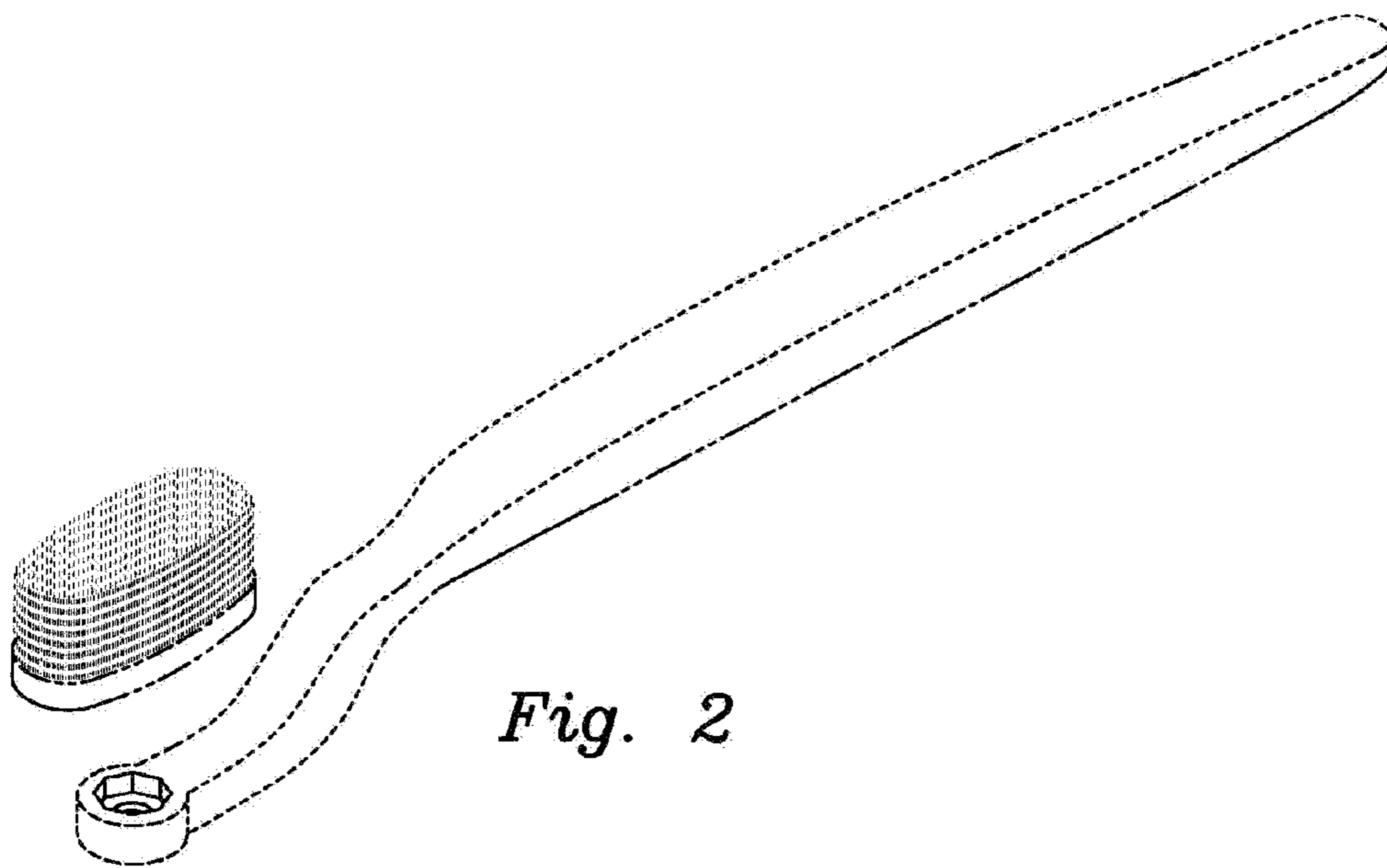
FIG. 1 is a top perspective view of a handle connector for rotating brush head, embodying my new design;  
FIG. 2 is a bottom perspective view thereof;  
FIG. 3 is an enlarged bottom plan view of the handle end portion showing the octagonal receptacle of the connector;  
FIG. 4 is an enlarged top plan view of the brush head portion showing the male component of the connector; and,  
FIG. 5 is a side elevation view thereof.  
The broken lines shown are included for the purpose of illustrating portions of the handle connector for rotating brush head that form no part of the claim.

**1 Claim, 2 Drawing Sheets**

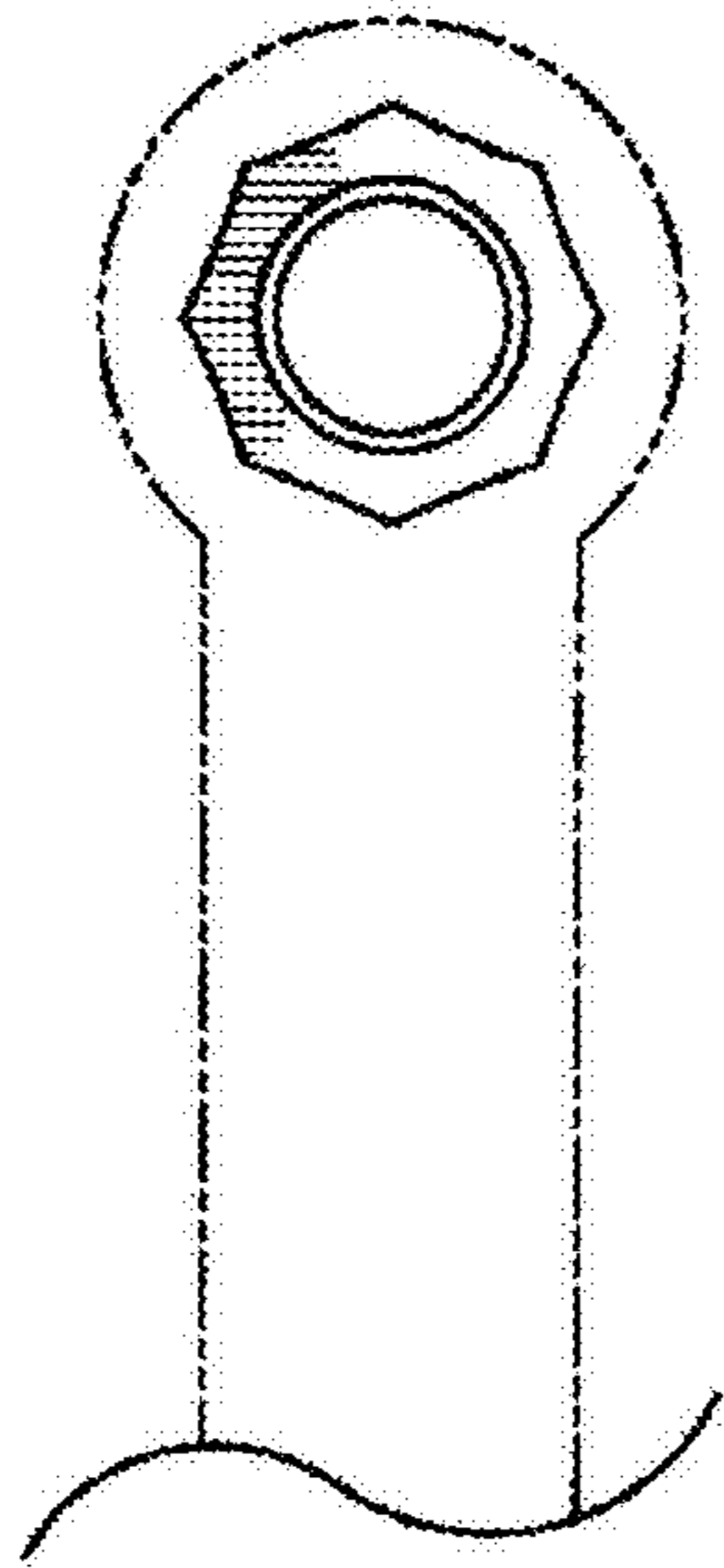




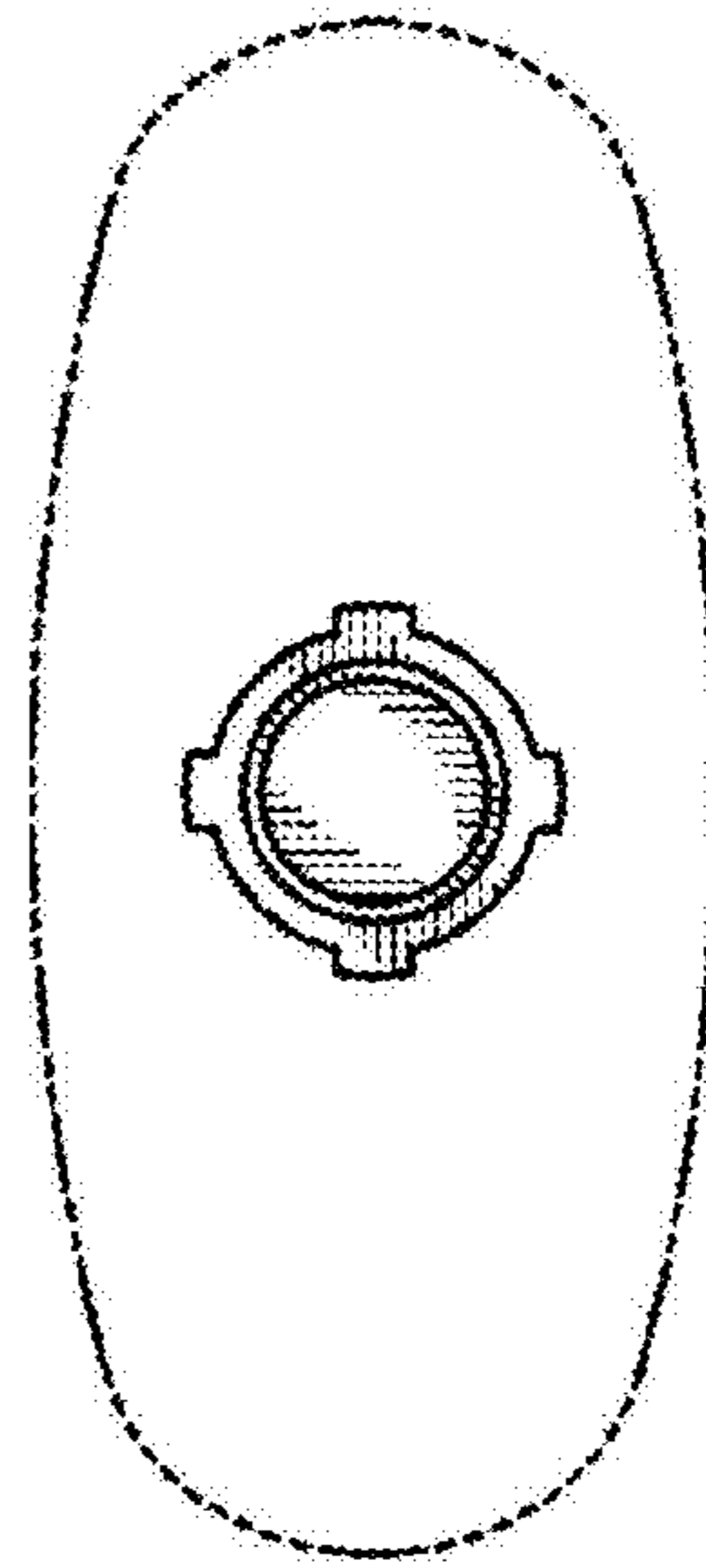
*Fig. 1*



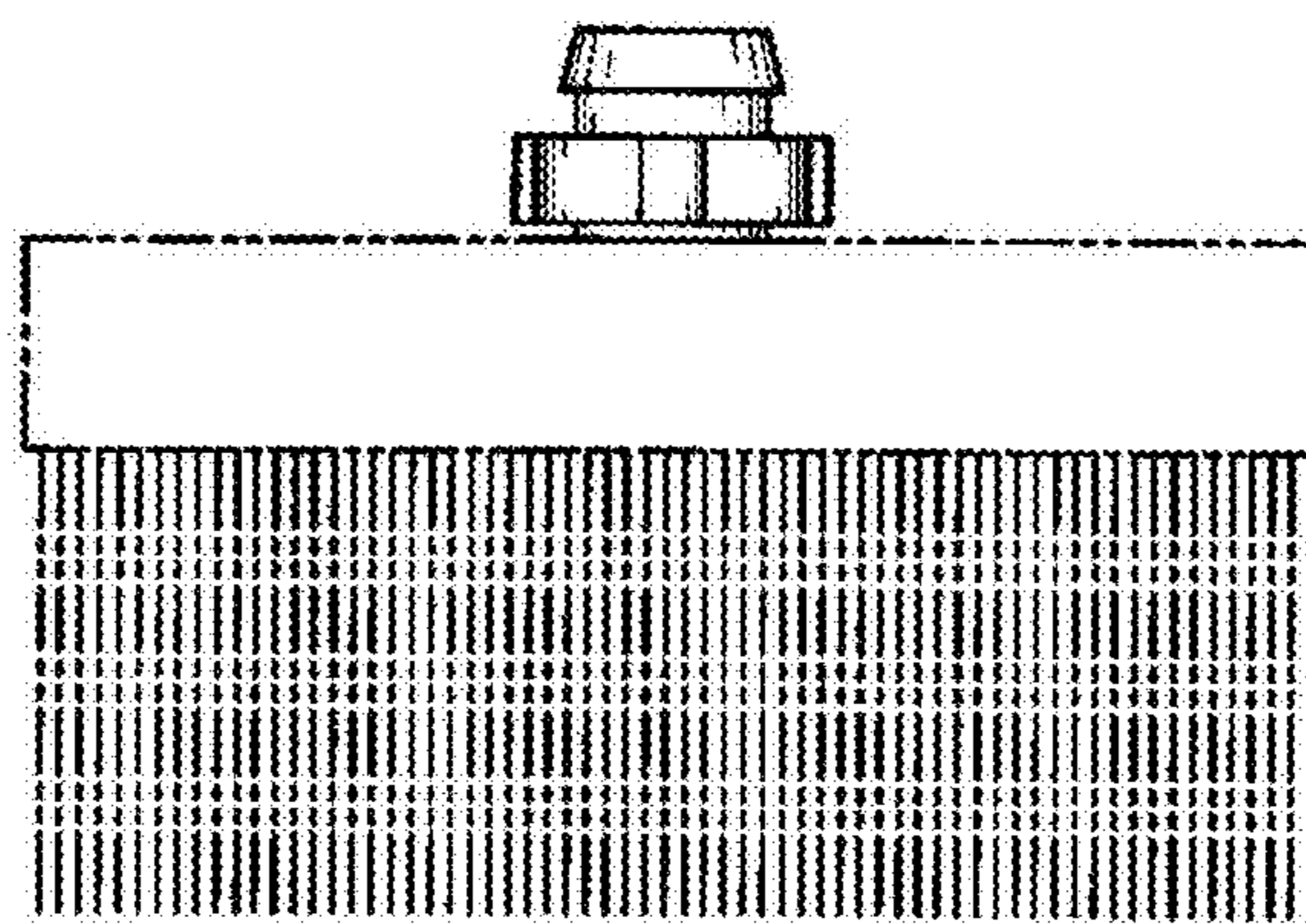
*Fig. 2*



*Fig. 3*



*Fig. 4*



*Fig. 5*