



US00D751818S

(12) **United States Design Patent**
Perrin

(10) **Patent No.:** **US D751,818 S**
(45) **Date of Patent:** **** Mar. 22, 2016**

(54) **CLUTCH HANDBAG**

(71) Applicant: **Michel J. J Perrin**, Beverly Hills, CA
(US)

(72) Inventor: **Michel J. J Perrin**, Beverly Hills, CA
(US)

(**) Term: **14 Years**

(21) Appl. No.: **29/486,809**

(22) Filed: **Apr. 2, 2014**

(51) **LOC (10) Cl.** **03-01**

(52) **U.S. Cl.**
USPC **D3/318**

(58) **Field of Classification Search**
USPC D3/232-233, 240-246
CPC A45C 1/024; A45C 3/08
See application file for complete search history.

(56) **References Cited**

U.S. PATENT DOCUMENTS

2,006,463	A *	7/1935	Landis	A45C 3/06 150/104
2,026,663	A *	1/1936	Wunthal	A45C 3/06 150/111
2,034,398	A *	3/1936	Kash	A45C 3/06 150/117
2,068,058	A *	1/1937	Lewis	A45C 3/06 150/113
2,068,507	A *	1/1937	Nagel	A45C 3/06 150/103
2,472,751	A	6/1949	Le Clair		
2,551,889	A	5/1951	Le Clair		
3,189,073	A	6/1965	Todd		

4,670,909	A	6/1987	Forrester		
4,782,874	A	11/1988	Chartier		
8,215,348	B1 *	7/2012	Schreiber	A45C 1/02 150/112
2003/0057240	A1	3/2003	Johnson		
2007/0101479	A1	5/2007	Turner		
2008/0276348	A1	11/2008	England et al.		
2011/0072552	A1	3/2011	Johnson et al.		

* cited by examiner

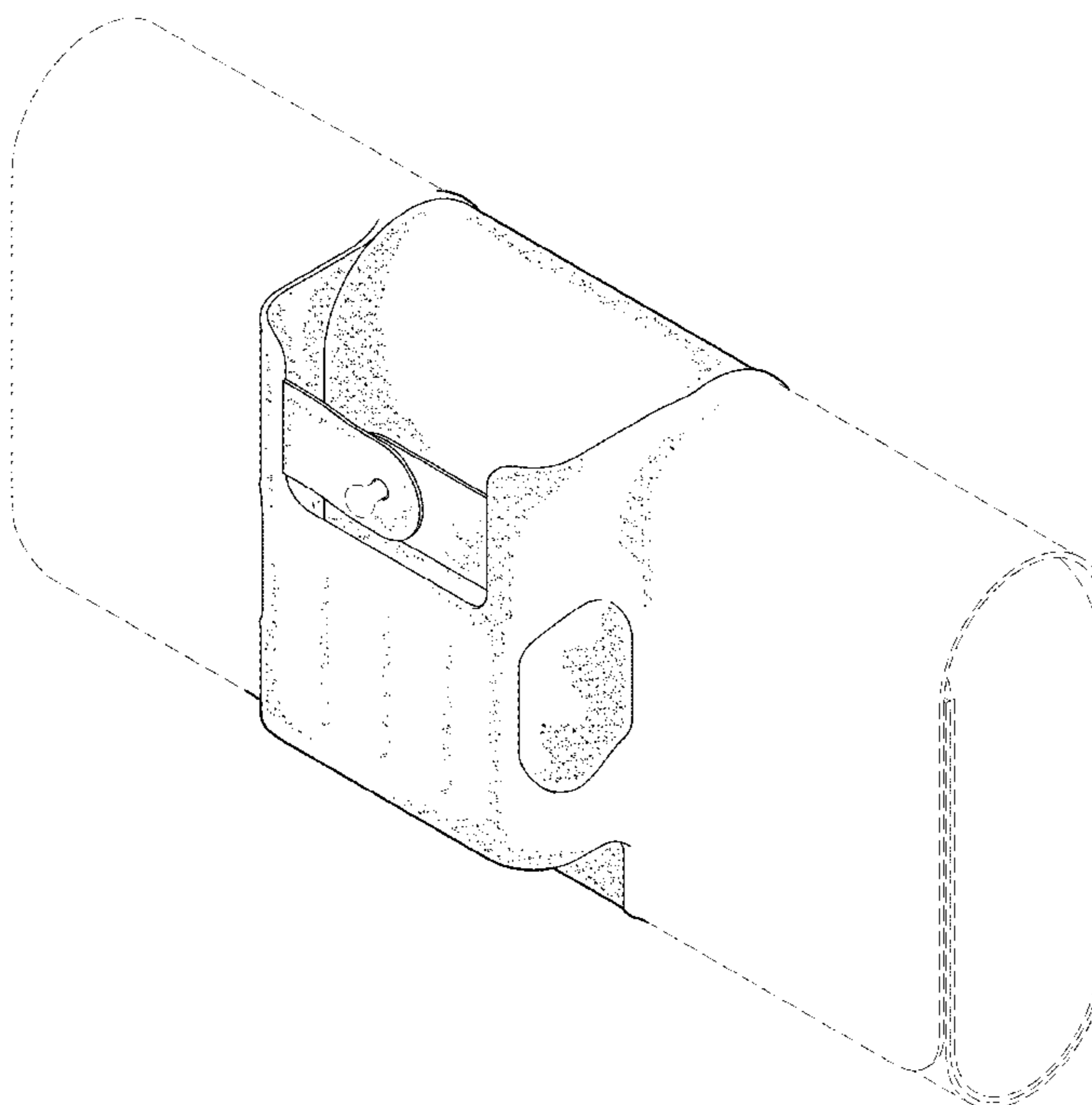
Primary Examiner — Holly Baynham
(74) *Attorney, Agent, or Firm* — George C. Rondeau, Jr.;
Davis Wright Tremaine LLP

(57) **CLAIM**
The ornamental design for a clutch handbag, as shown and described.

DESCRIPTION

FIG. 1 is a top front perspective view of a clutch handbag showing my new design.
FIG. 2 is a bottom rear perspective view thereof.
FIG. 3 is a front elevational view thereof.
FIG. 4 is a top plan view thereof.
FIG. 5 is a left side elevational view thereof.
FIG. 6 is a right side elevational view thereof.
FIG. 7 is a rear elevational view thereof; and,
FIG. 8 is a bottom plan view thereof.
The broken lines showing a portion of the bag and the fastener are for the purposes of illustrating environment and forms no part of the claimed design.

1 Claim, 7 Drawing Sheets



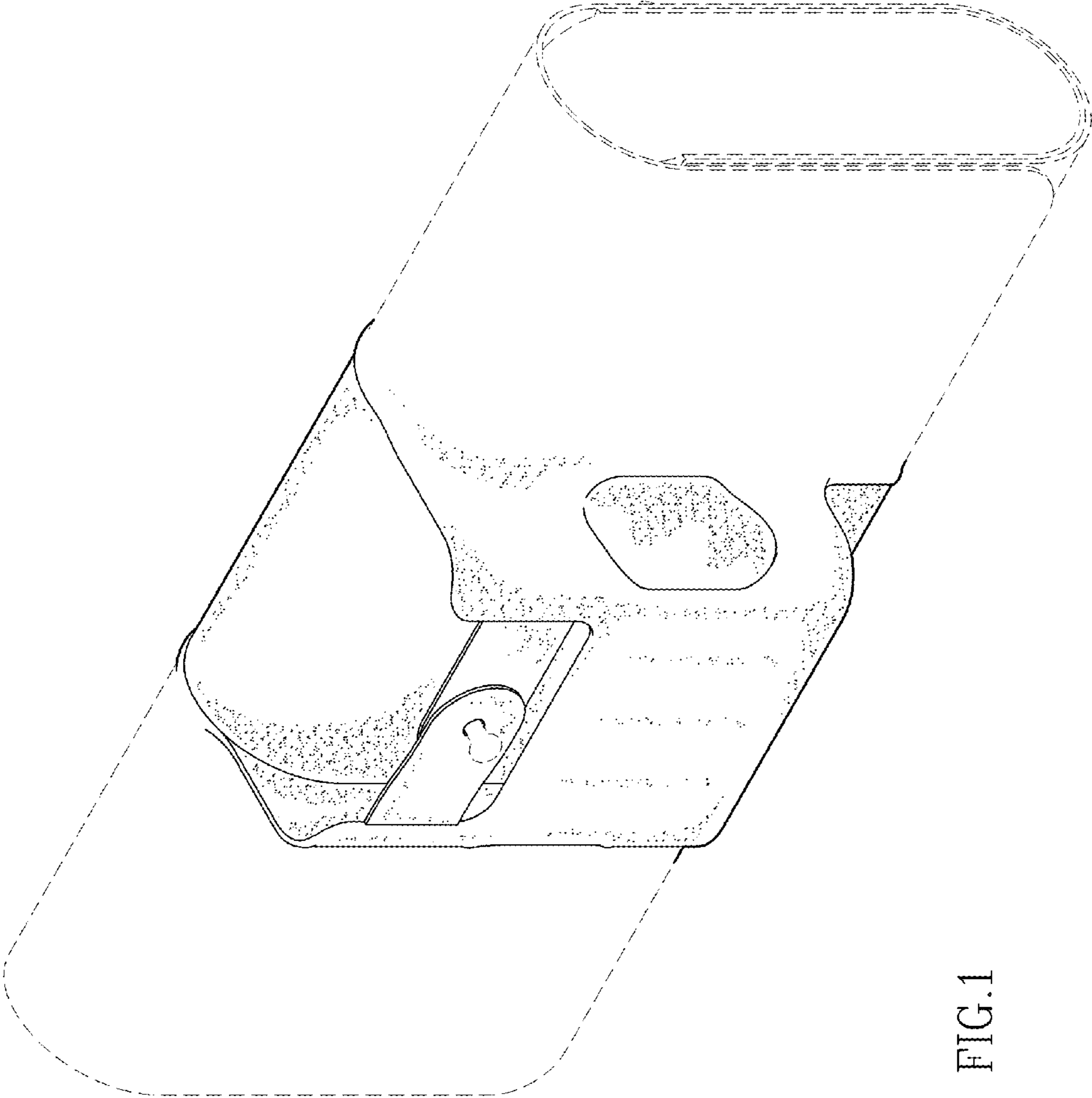


FIG. 1

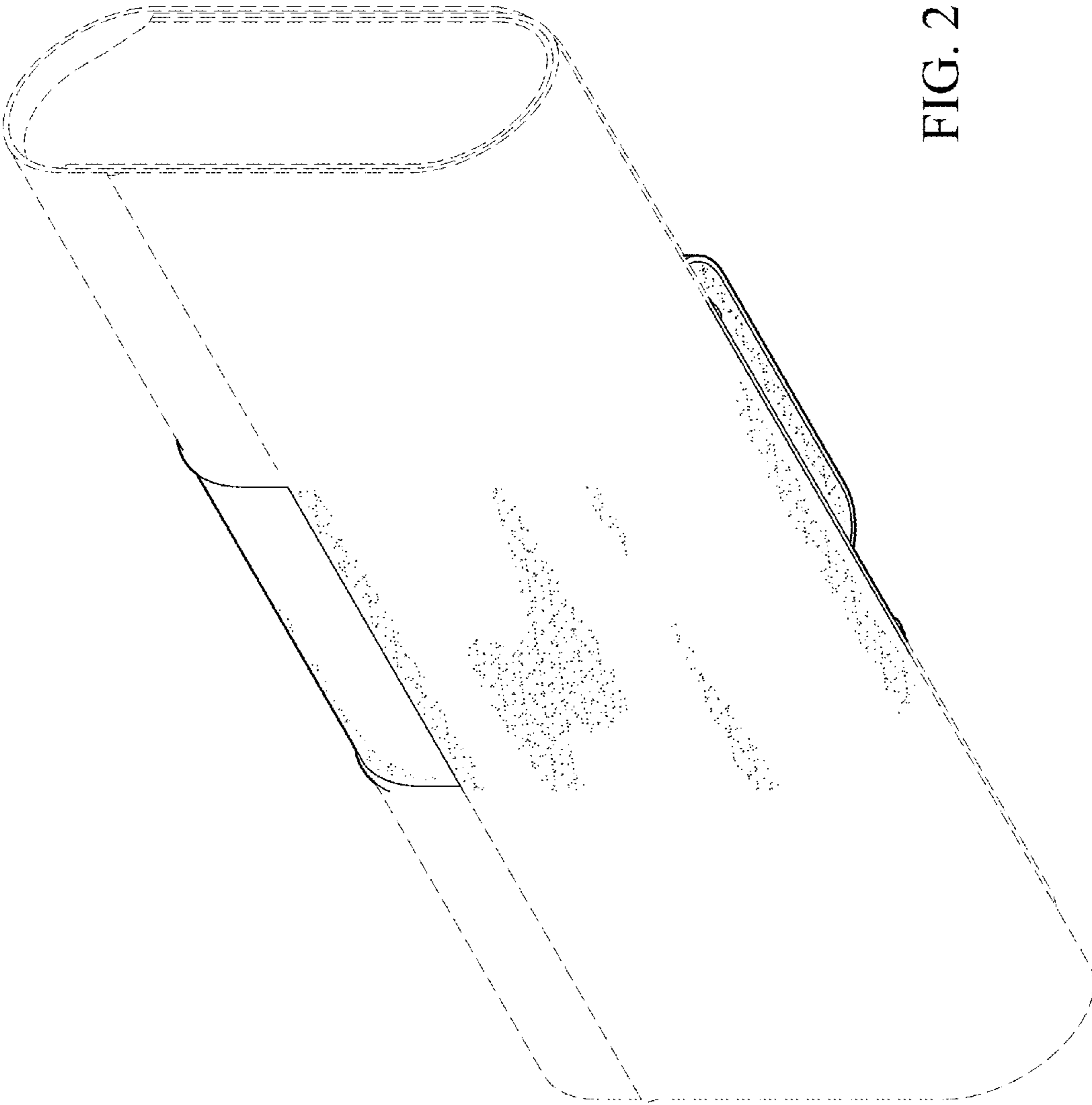


FIG. 2

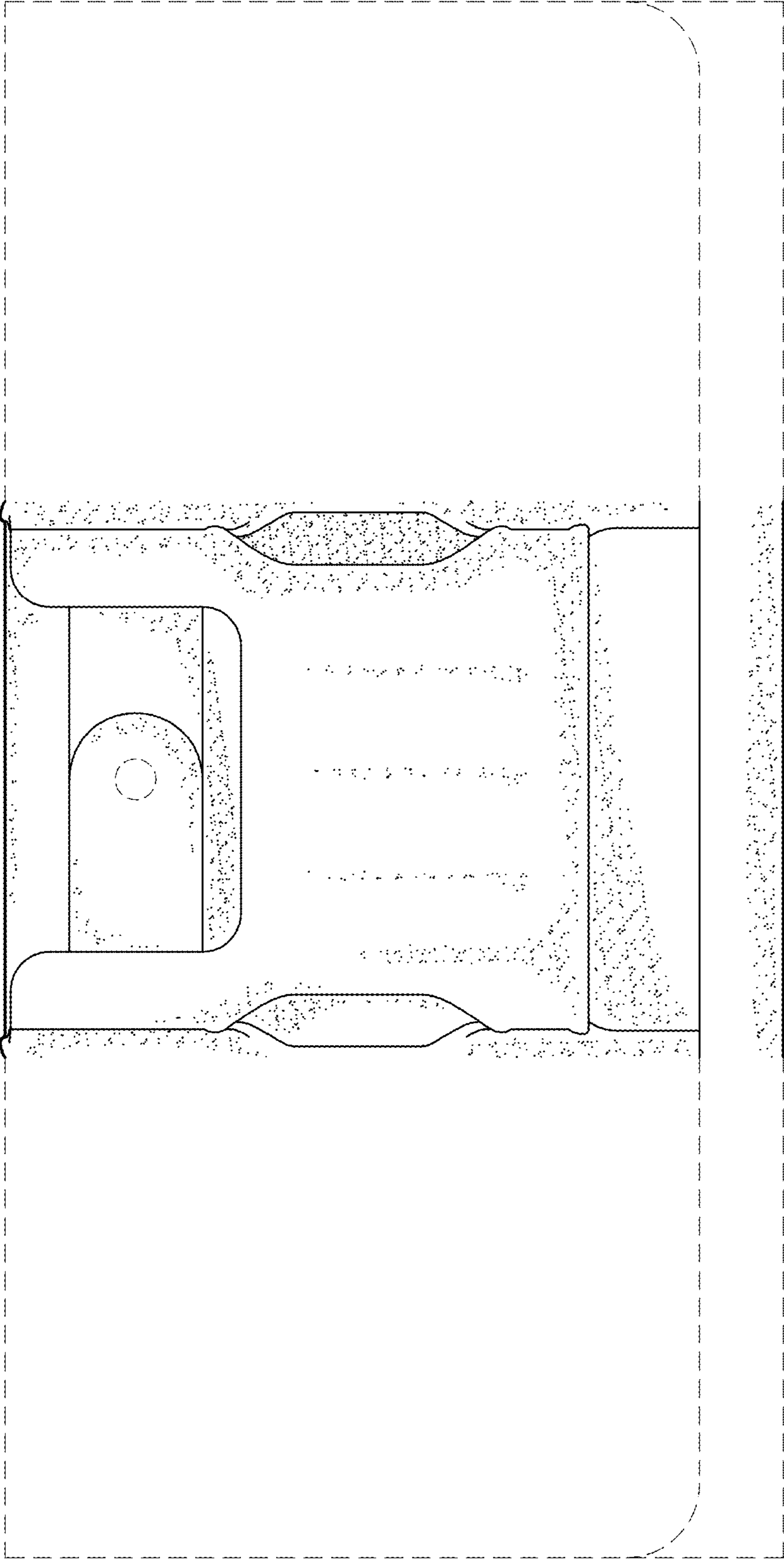


FIG. 3

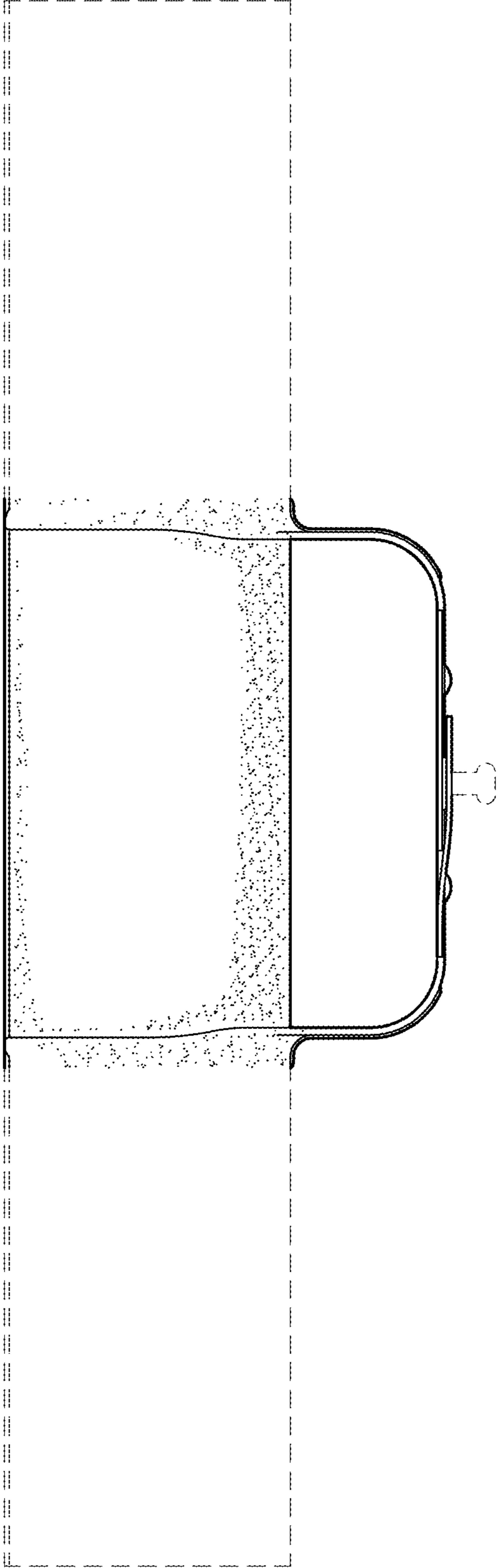


FIG. 4

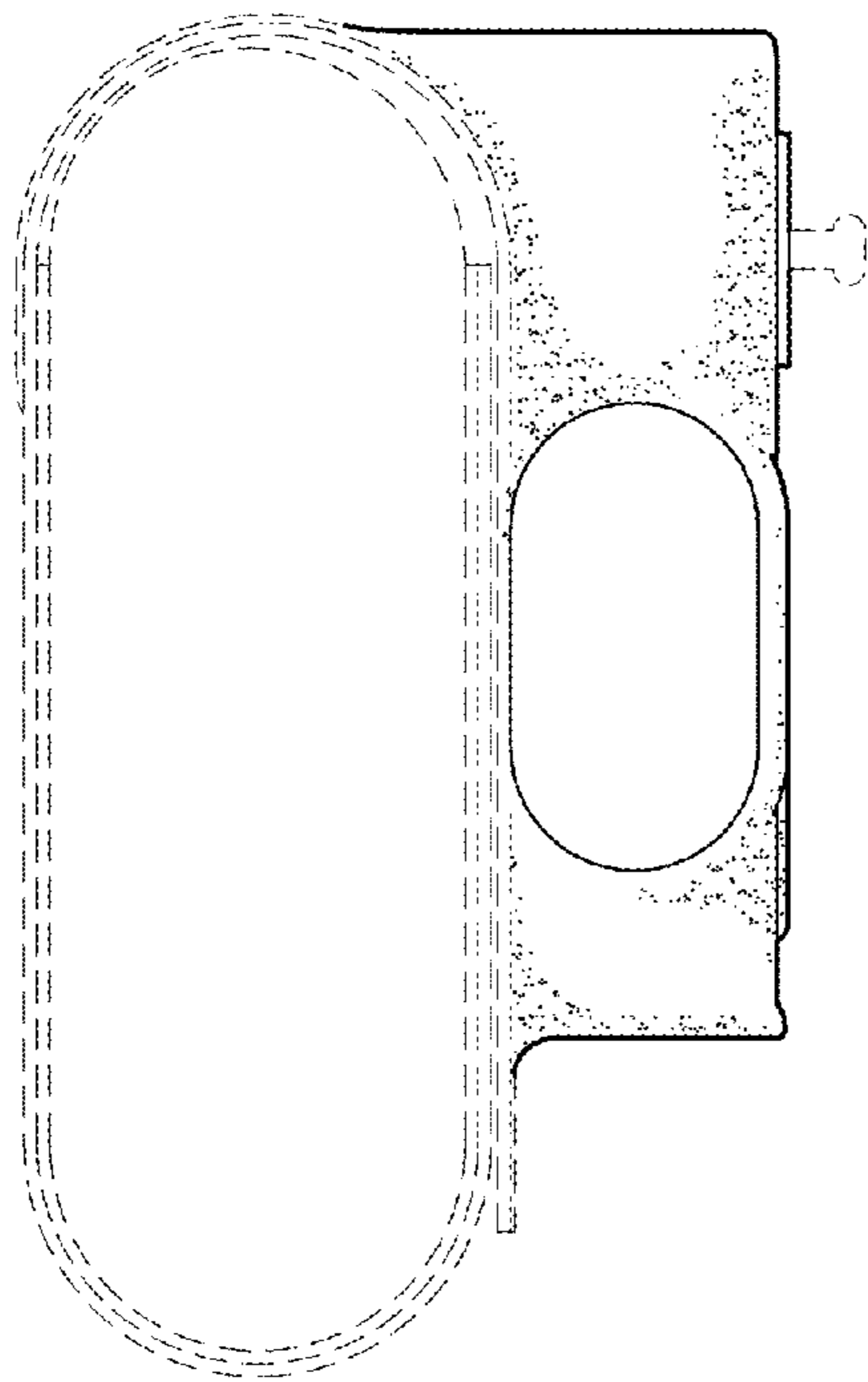


FIG. 5

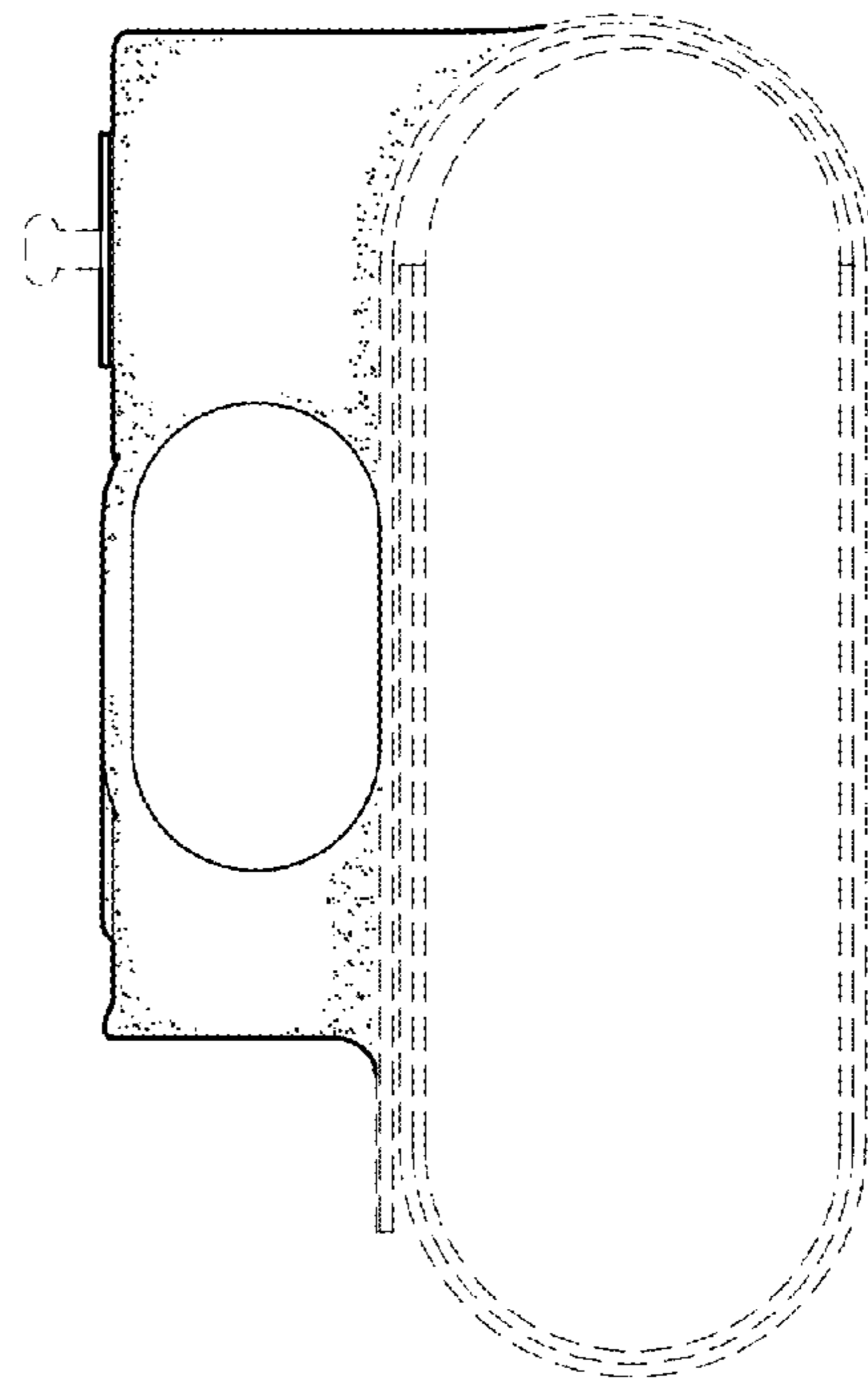


FIG. 6

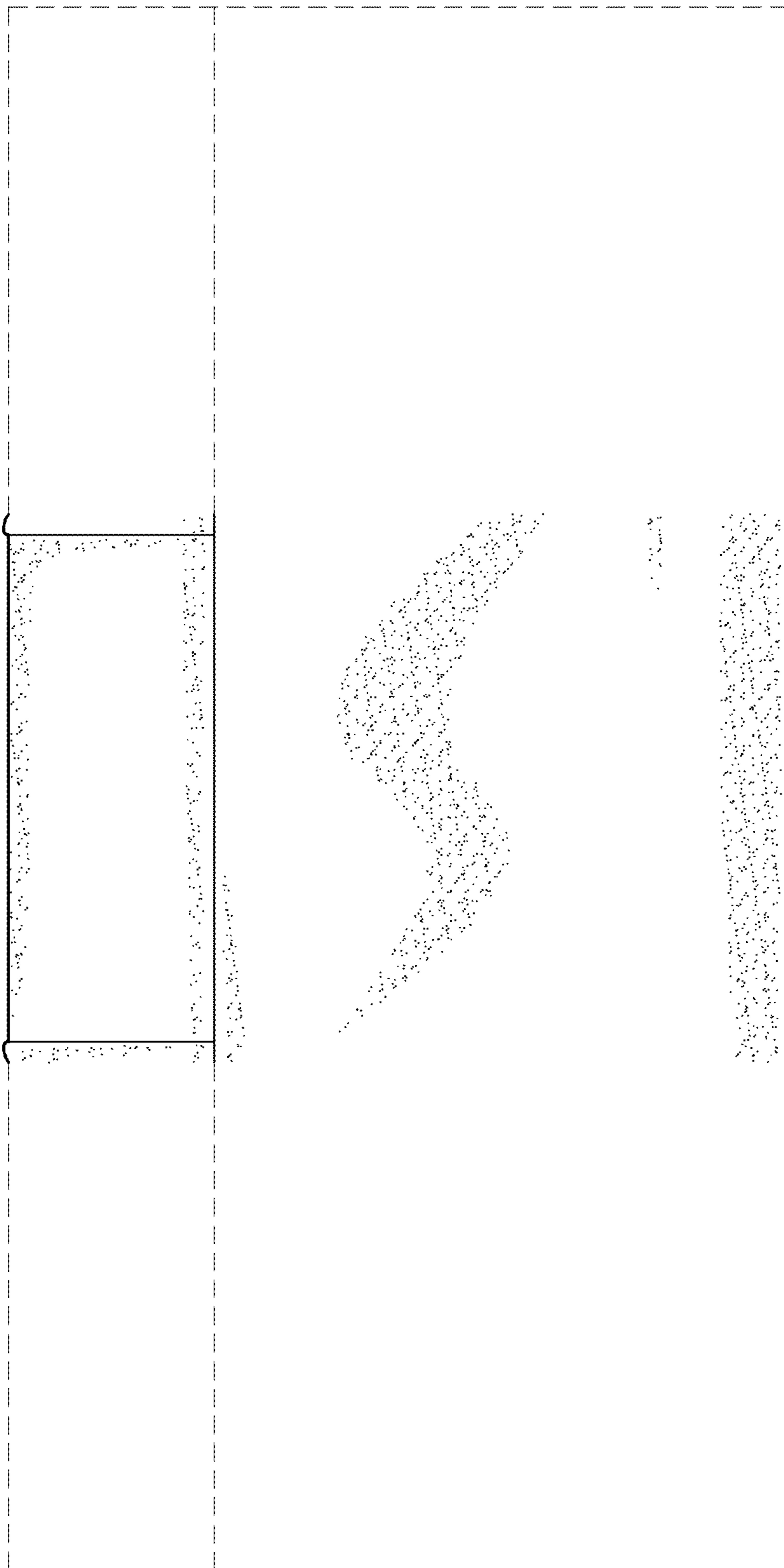


FIG. 7

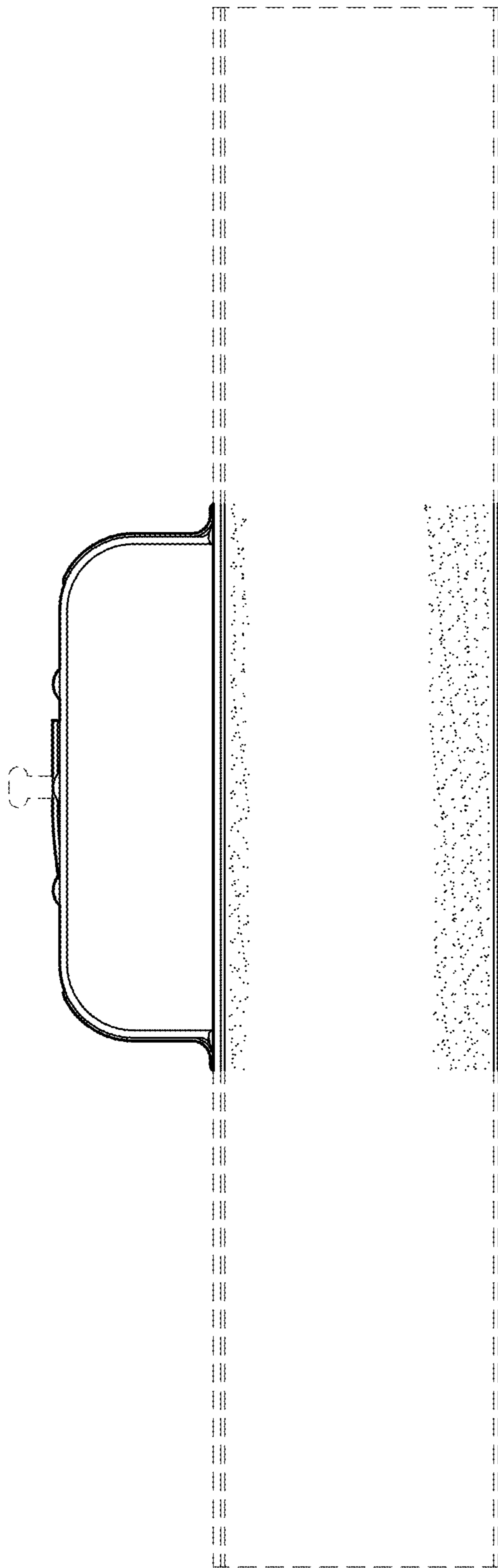


FIG. 8