



US00D751817S

(12) **United States Design Patent**
Stuart et al.

(10) **Patent No.:** **US D751,817 S**
(45) **Date of Patent:** **** Mar. 22, 2016**

(54) **STORAGE CONTAINER**
(71) Applicant: **Deflecto, LLC**, Indianapolis, IN (US)
(72) Inventors: **Christopher Stuart**, Noblesville, IN (US); **James DeChant**, Carmel, IN (US); **Cyril Bennett**, Indianapolis, IN (US); **Patrick Foley**, Fishers, IN (US); **Danielle Rodgers**, Indianapolis, IN (US)
(73) Assignee: **Deflecto, LLC**, Indianapolis, IN (US)
(**) Term: **14 Years**

D160,876 S * 11/1950 Mesi D7/596
4,219,290 A * 8/1980 Golston B65G 51/06
406/186
D370,411 S * 6/1996 Vernon, IV D9/436
D408,632 S * 4/1999 Najmi D3/273

(Continued)

OTHER PUBLICATIONS

Ribbon Storage, available Jul. 18, 2011, [online], [site visited Oct. 29, 2015]. Available from internet, <URL: <http://shannonjaredwight.blogspot.com/2011/07/ribbon-storage.html>>.*

(Continued)

(21) Appl. No.: **29/502,205**
(22) Filed: **Sep. 12, 2014**
(51) **LOC (10) Cl.** **03-01**
(52) **U.S. Cl.**
USPC **D3/302**
(58) **Field of Classification Search**
USPC D9/500–505, 715, 718, 719, 737, 738,
D9/739, 741, 772, 779, 780, 516, 529, 537,
D9/539, 544, 545, 549, 550, 558, 434–436,
D9/438, 439, 453, 456, 454; D3/201, 272,
D3/273, 302; D7/509, 511, 538–542, 555,
D7/601, 602, 612, 619.1; 215/382;
206/144, 192
CPC A47F 7/17; B65D 21/022; B65D 23/12;
B65D 88/08; B65D 90/024; B65D 90/08;
B65G 51/06
See application file for complete search history.

Primary Examiner — Cathron Brooks
Assistant Examiner — Teddy Falloway
(74) *Attorney, Agent, or Firm* — Dentons US LLP; Brian R. McGinley; Anne K. W. Sutton

(57) **CLAIM**

The ornamental design for a storage container, as shown and described.

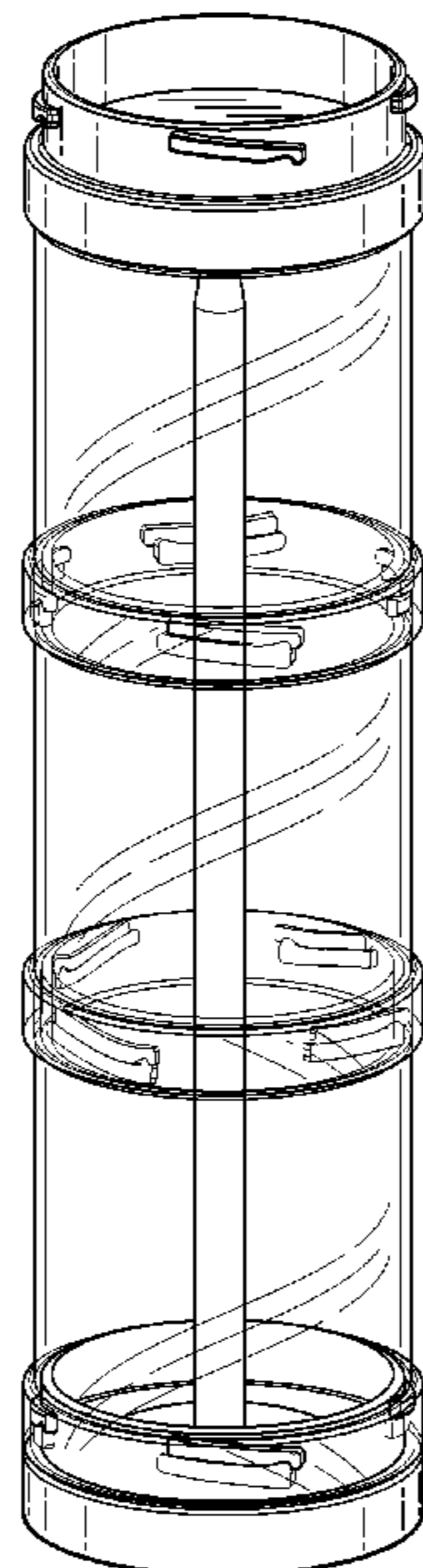
DESCRIPTION

FIG. 1 is a front, perspective view of a storage container in an assembled and closed configuration with a plunger inserted; FIG. 2 is a front, elevational view of the storage container thereof, the rear elevational view being the same; FIG. 3 is another elevational view of the storage container thereof, rotated 45°; FIG. 4 is a top view of the container system of FIG. 1; FIG. 5 is a bottom view of the container system of FIG. 1; and, FIG. 6 is a cross sectional view of the storage container thereof, taken along line 6-6 of FIG. 4.

(56) **References Cited**
U.S. PATENT DOCUMENTS

2,285,270 A * 6/1942 Gelow A47F 7/17
206/402

1 Claim, 5 Drawing Sheets



(56)

References Cited

U.S. PATENT DOCUMENTS

D525,786 S * 8/2006 Orlando D3/254
 D536,963 S * 2/2007 Blasko D9/503
 D548,973 S * 8/2007 Dawson D3/272
 D558,451 S * 1/2008 Roesler D3/282
 D583,506 S * 12/2008 Justice D28/86
 D654,374 S * 2/2012 Lauder D9/715
 D698,266 S * 1/2014 Downs D9/524
 D703,052 S * 4/2014 Park D9/503
 D717,654 S * 11/2014 Aular D9/504
 D722,113 S * 2/2015 Knight D20/8
 D740,029 S * 10/2015 Otto D3/302
 D741,181 S * 10/2015 Bar-Tal D9/449
 D741,717 S * 10/2015 Bar-Tal D9/550
 2004/0238536 A1 * 12/2004 Volkmann B65D 88/005
 220/4.26
 2010/0181275 A1 * 7/2010 Gruenwald B65D 23/12
 215/6
 2014/0069917 A1 * 3/2014 Meyers B65D 51/242
 220/23.88

OTHER PUBLICATIONS

DIY Ribbon Organizer, available Mar. 10, 2014, [online], [site visited Oct. 29, 2015]. Available from internet, <URL: <http://ribbons.com/diy-ribbon-organizers/>.
 *
 Stacked-up Storage Cylinder (Muji Madness), available Oct. 23, 2010, [online], [site visited Oct. 29, 2015]. Available from internet, <URL: <https://thelippie.wordpress.com/2010/10/23/muji-madness/>.
 *
 Stackable Craft Container, available Sep. 30, 2010, [online], [site visited Oct. 29, 2015]. Available from internet, <URL: <http://www.amazon.com/Storage-Stackable-Containers-Crafts-Findings/dp/B001AS6OLK>.
 *

* cited by examiner

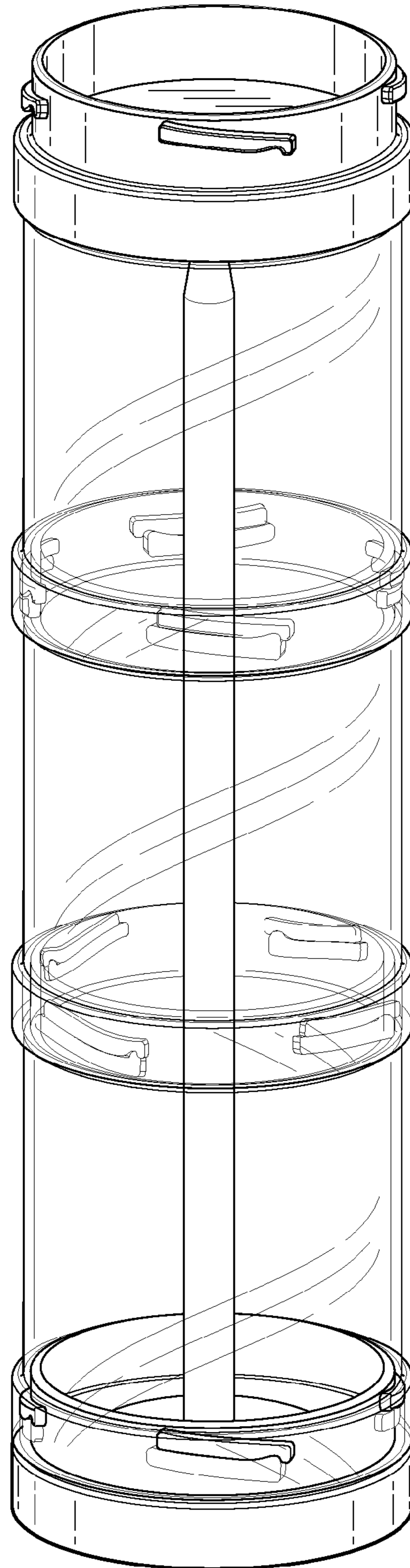


FIG. 1

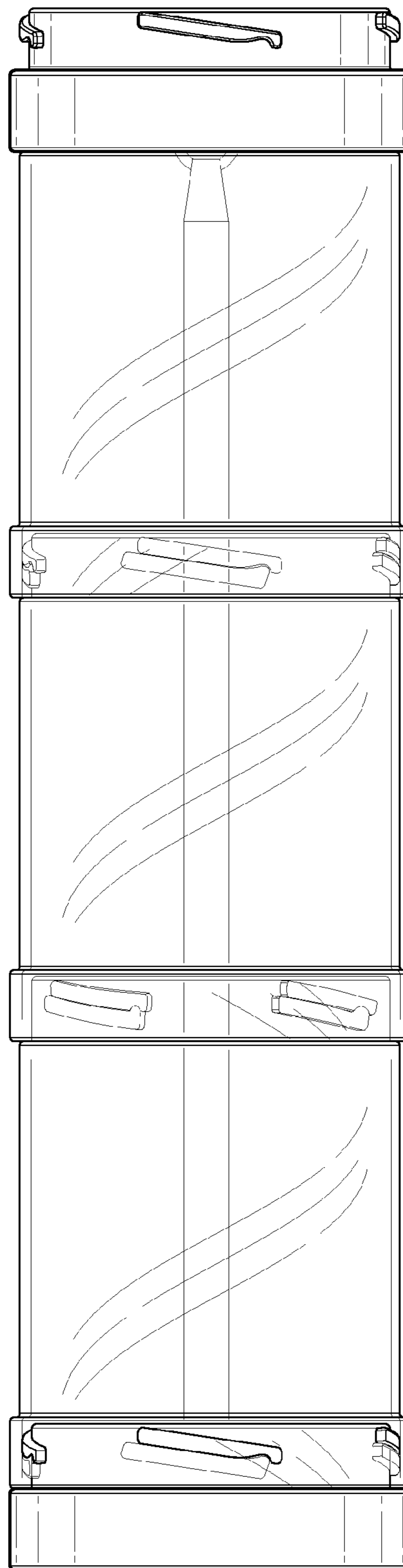


FIG. 2

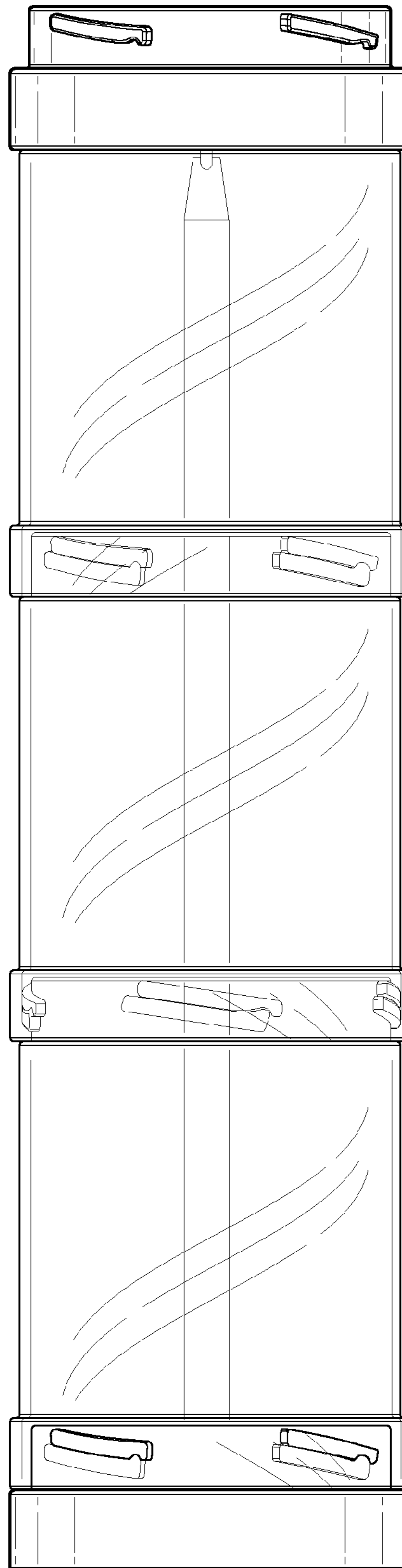


FIG. 3

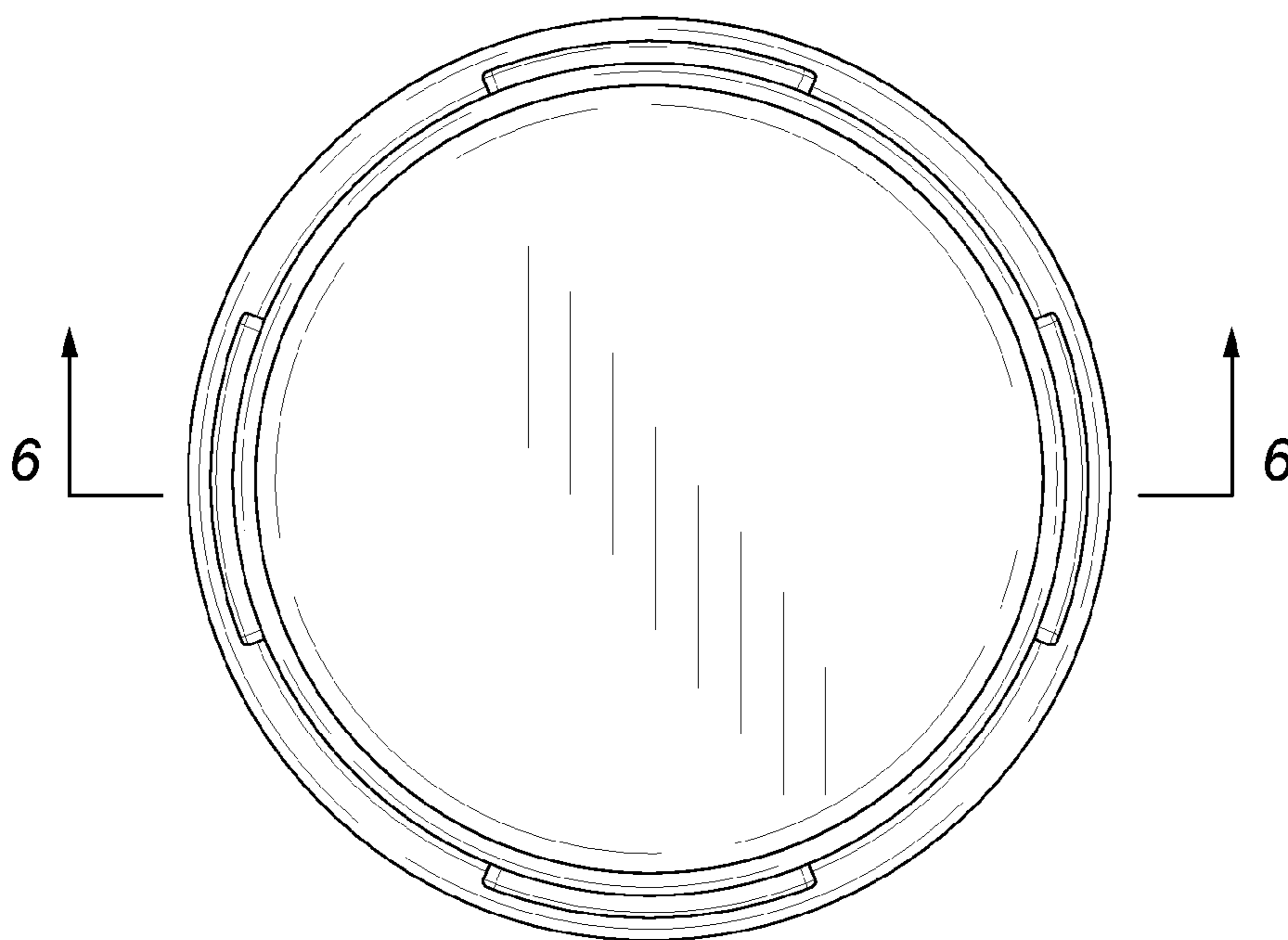


FIG. 4

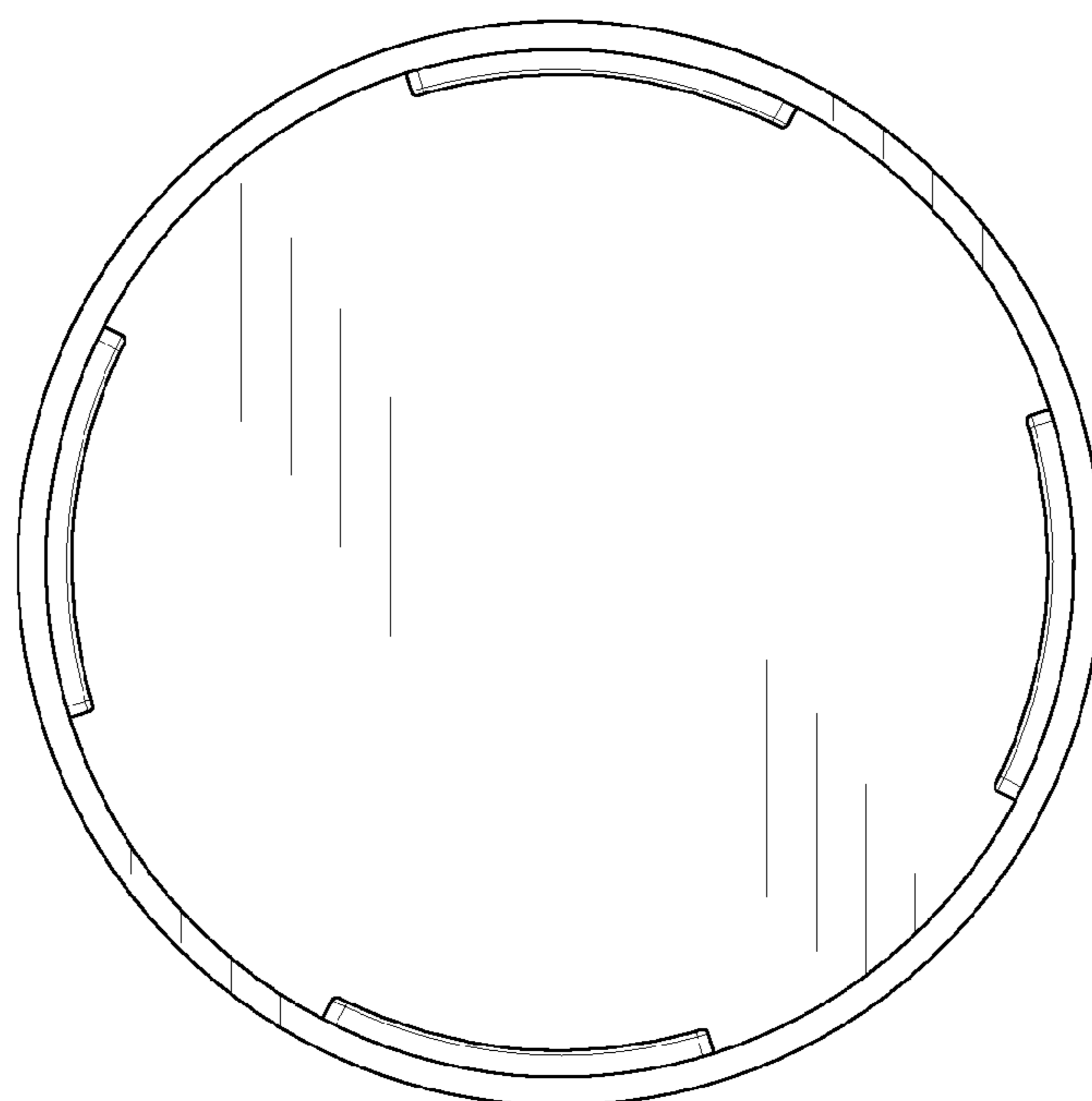


FIG. 5

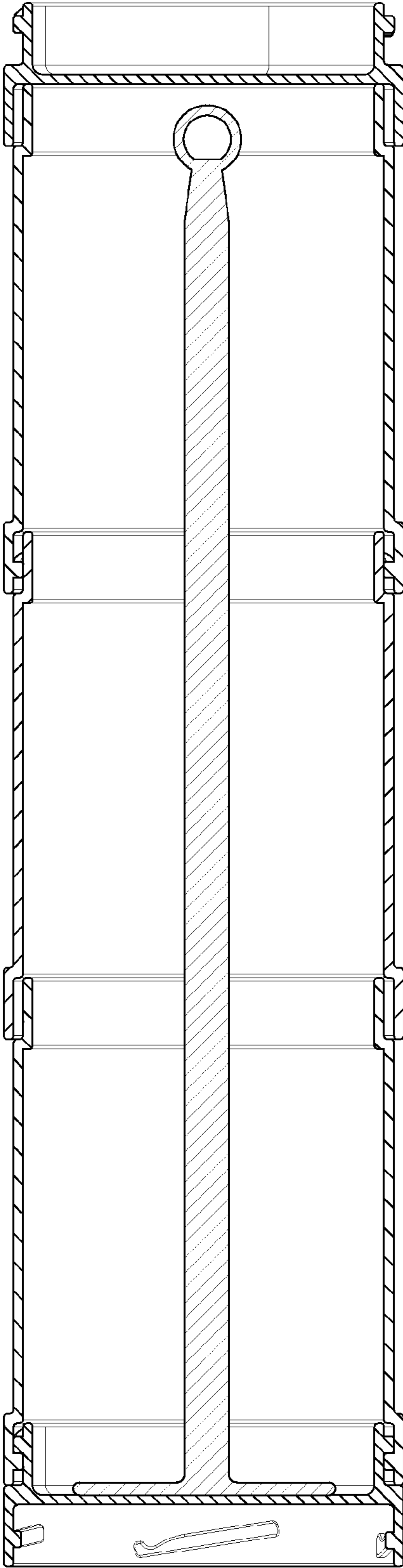


FIG. 6