



US00D751815S

(12) **United States Design Patent**
Pedrazzi et al.

(10) **Patent No.:** **US D751,815 S**
(45) **Date of Patent:** **** Mar. 22, 2016**

(54) **TOTE BAG**

D621,610 S * 8/2010 Parsley D3/232
D623,853 S * 9/2010 Yu D3/232
D626,798 S * 11/2010 Swartz D3/246
D706,030 S * 6/2014 Wang D3/245

(71) Applicant: **Kinsco LLC**, San Ramon, CA (US)

(72) Inventors: **Cynthia P. Pedrazzi**, San Ramon, CA (US); **Paul D. Pedrazzi**, San Ramon, CA (US); **Daniel K. Harden**, San Jose, CA (US); **Elliot Ortiz**, San Francisco, CA (US)

* cited by examiner

Primary Examiner — Holly Baynham
(74) *Attorney, Agent, or Firm* — Patent Law Group LLP; David C. Hsia

(73) Assignee: **Kinsco LLC**, San Ramon, CA (US)

(**) Term: **14 Years**

(57) **CLAIM**

The ornamental design for a tote bag, substantially as shown and described.

(21) Appl. No.: **29/504,609**

DESCRIPTION

(22) Filed: **Oct. 7, 2014**

(51) **LOC (10) Cl.** **03-01**

(52) **U.S. Cl.**
USPC **D3/245**

(58) **Field of Classification Search**
USPC D3/232–233, 240–243, 245–246
CPC A45C 1/024; A45C 3/08
See application file for complete search history.

FIG. 1 is a perspective view of the tote bag snapped and upright in accordance with the design.

FIG. 2 is a front view thereof, with the rear view being identical thereto.

FIG. 3 is a right side view thereof, with the left side view being identical thereto.

FIG. 4 is a top view thereof.

FIG. 5 is a bottom view thereof; and,

FIG. 6 is a top view of the tote bag unsnapped and laid flat-open in accordance with the design, with the bottom view being identical thereto.

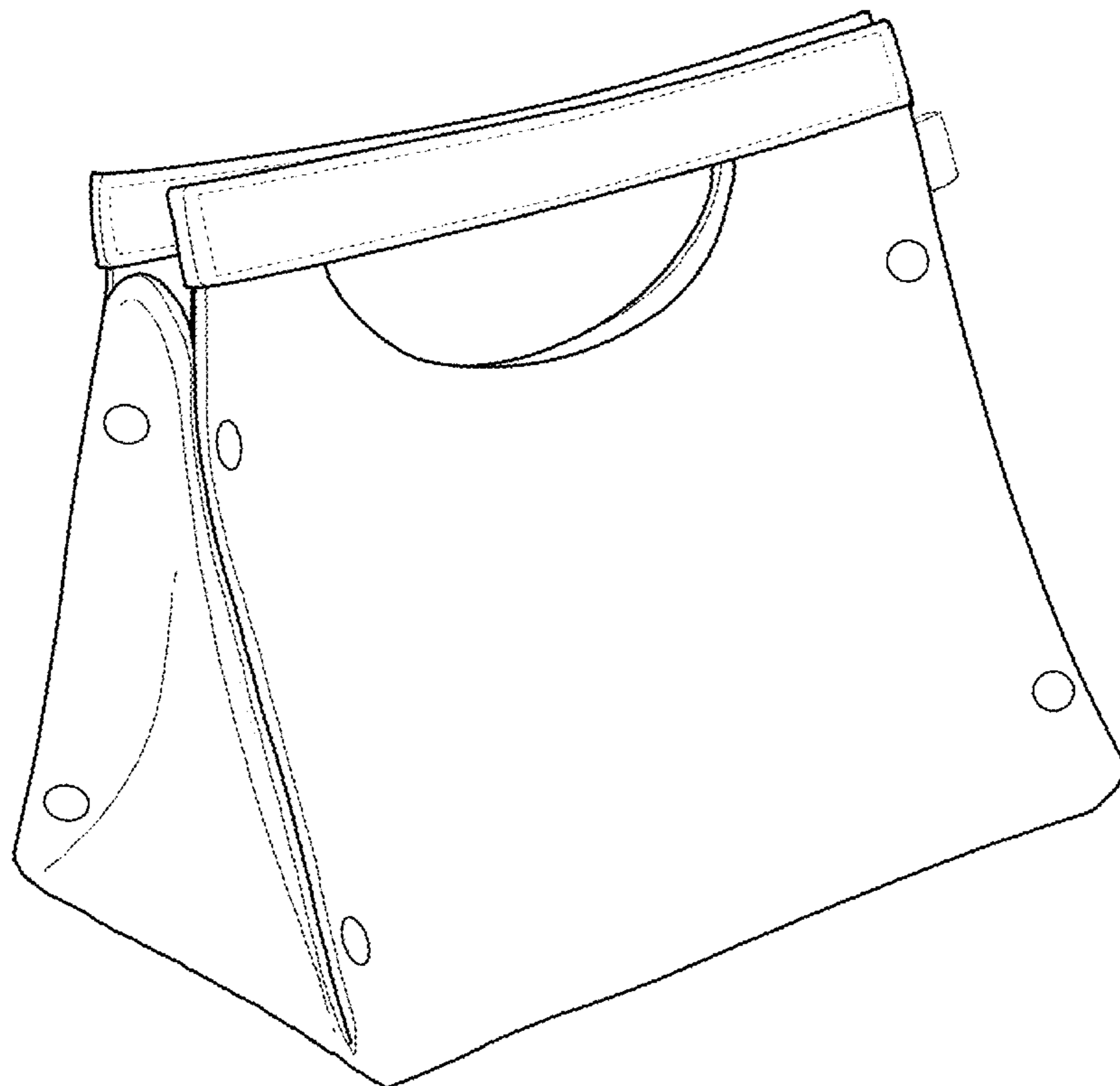
The portions of the drawings shown in broken lines represent environmental structure and form no part of the claimed design.

(56) **References Cited**

U.S. PATENT DOCUMENTS

D521,233 S * 5/2006 Gonzalez D3/232
D586,555 S * 2/2009 Lown D3/246
D586,556 S * 2/2009 Lown D3/246
D598,647 S * 8/2009 Kertesz D3/232

1 Claim, 6 Drawing Sheets



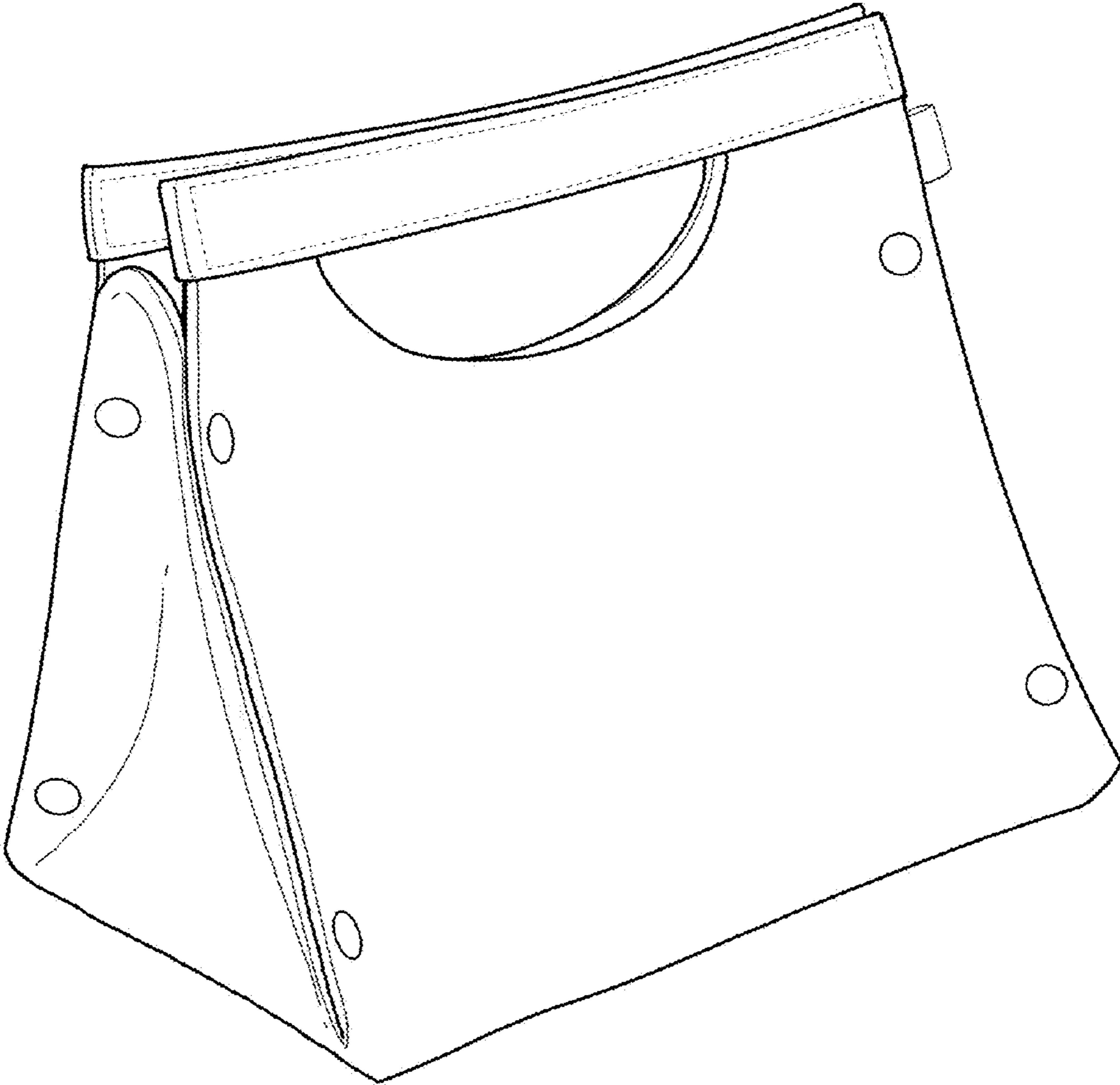


FIG. 1

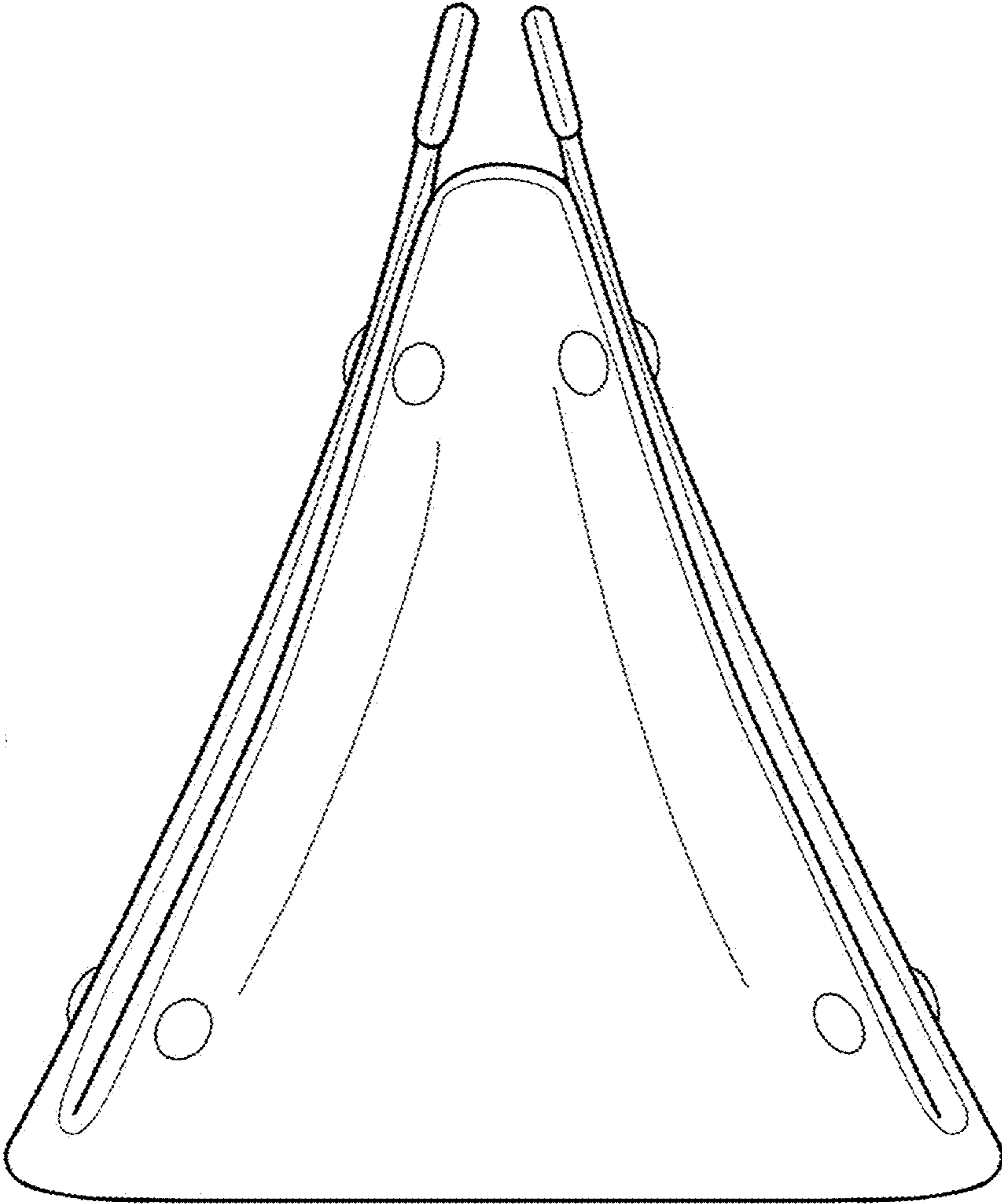


FIG. 2

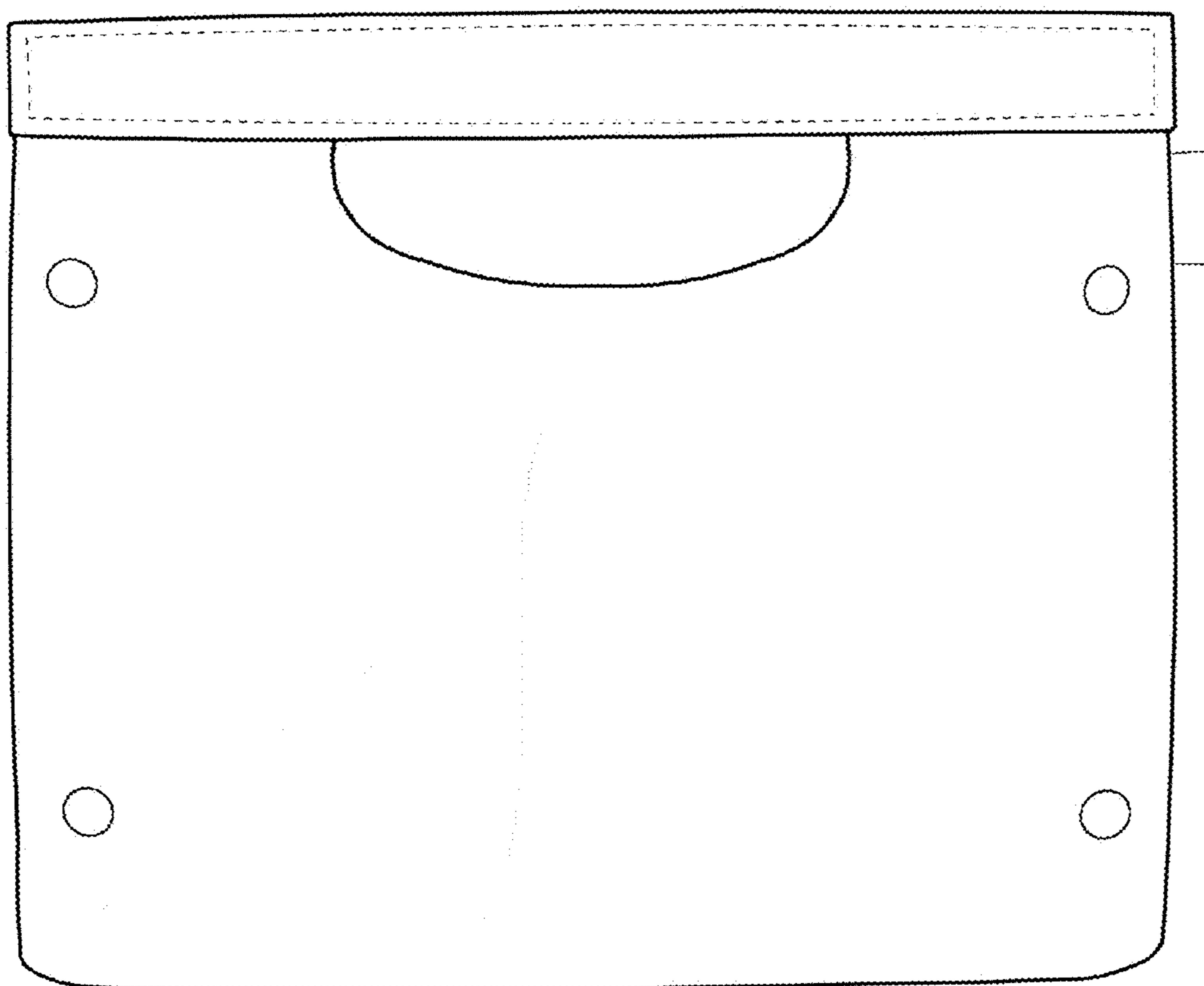


FIG. 3

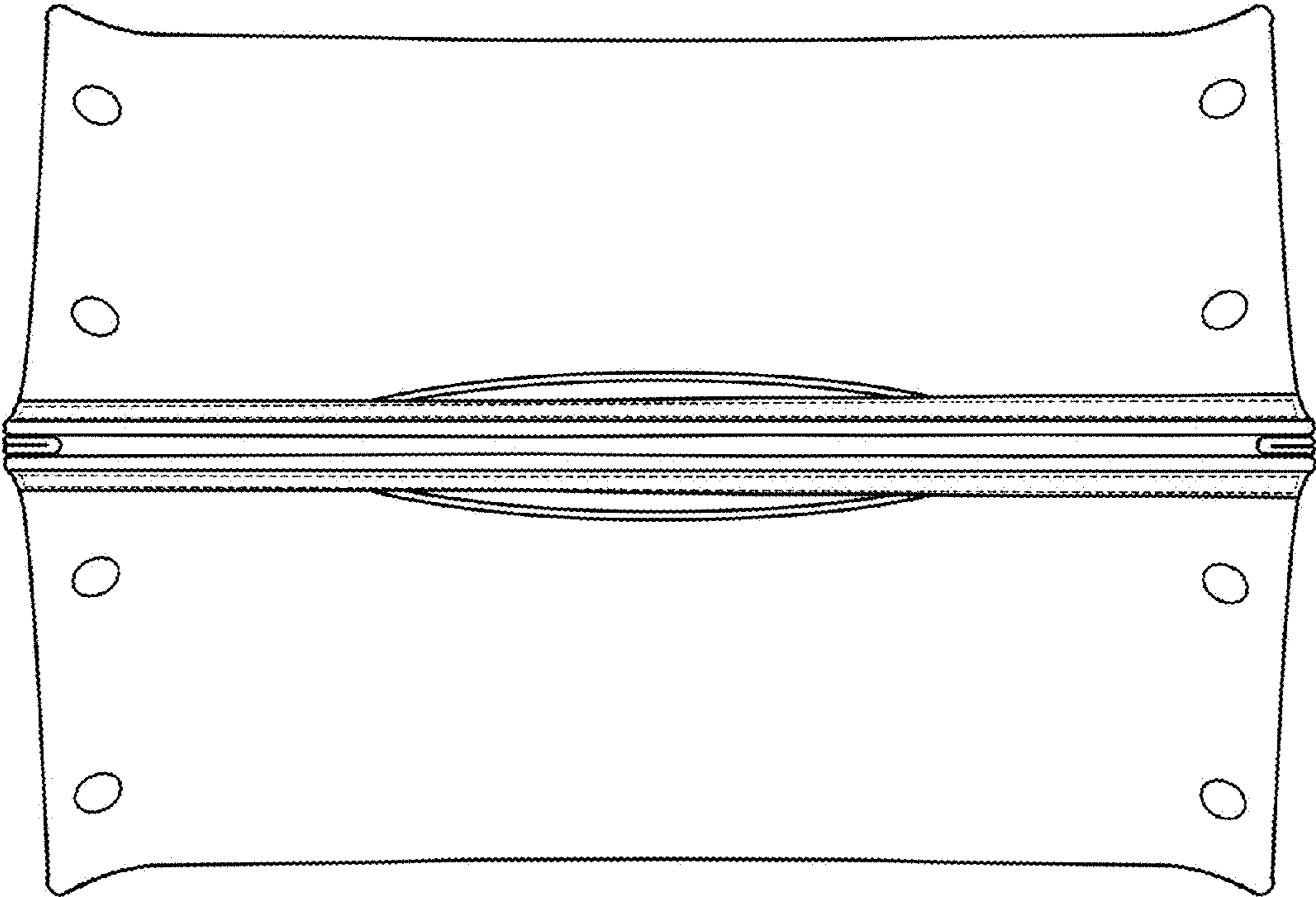


FIG. 4

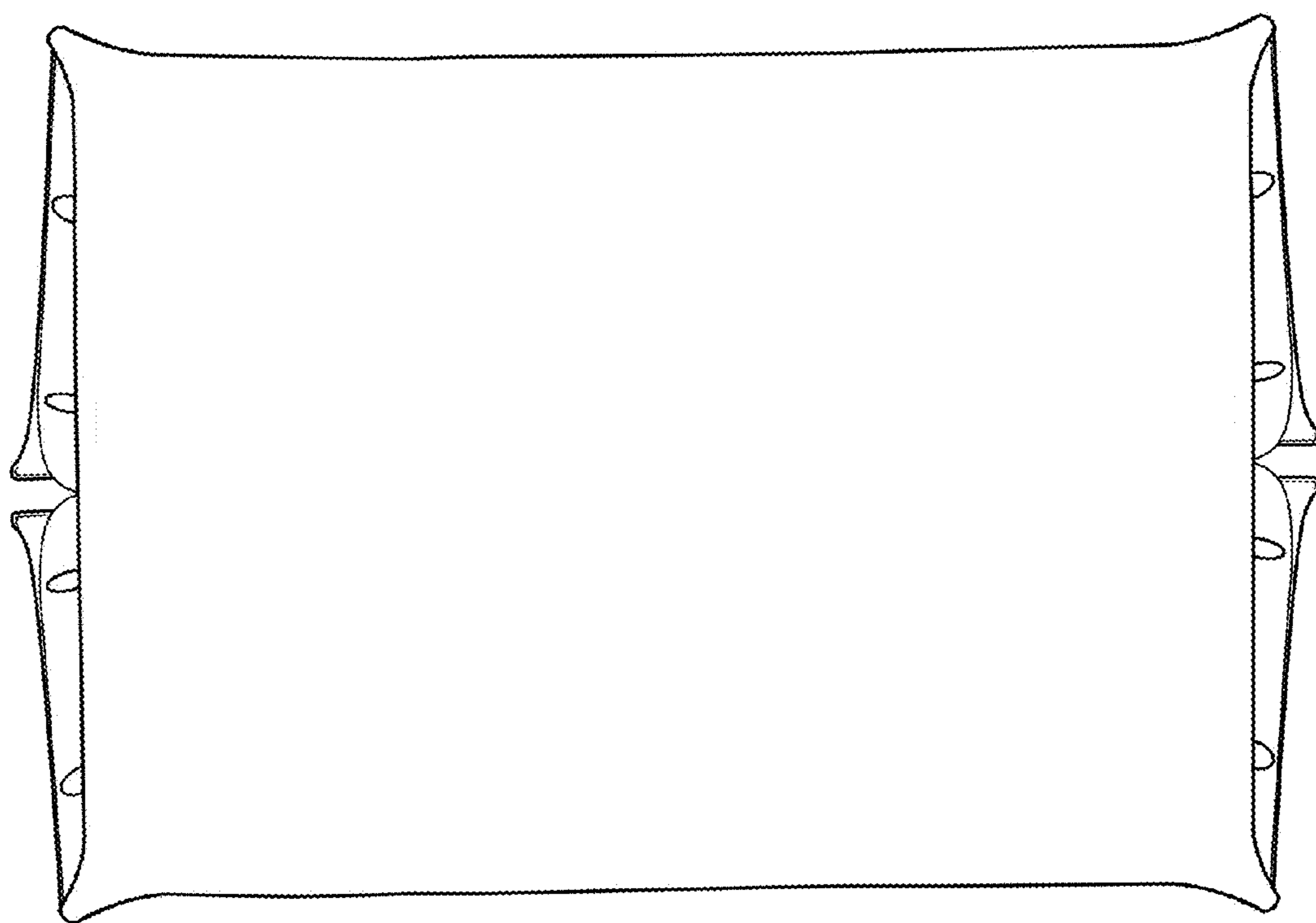


FIG. 5

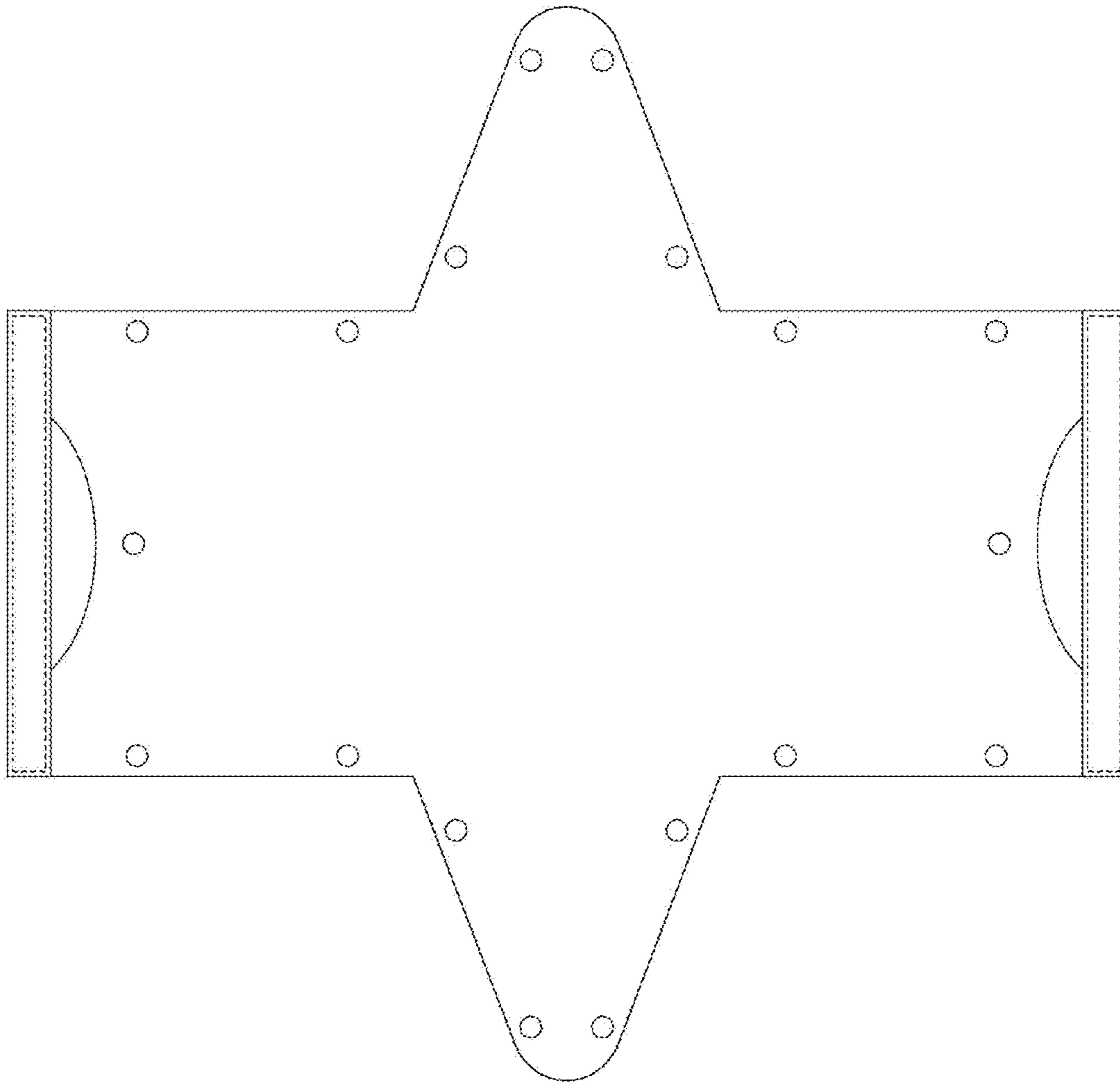


FIG. 6