



US00D751814S

(12) **United States Design Patent**
Louboutin

(10) **Patent No.:** **US D751,814 S**
(45) **Date of Patent:** **** Mar. 22, 2016**

(54) **HANDBAG**

(71) Applicant: **Christian Louboutin**, Paris (FR)

(72) Inventor: **Christian Louboutin**, Paris (FR)

(73) Assignee: **Christian Louboutin** (FR)

(**) Term: **14 Years**

(21) Appl. No.: **29/498,767**

(22) Filed: **Aug. 7, 2014**

(30) **Foreign Application Priority Data**

Feb. 26, 2014 (EM) 002413054

(51) **LOC (10) Cl.** **03-01**

(52) **U.S. Cl.**
USPC **D3/232**

(58) **Field of Classification Search**
USPC D3/218, 227, 232–233, 239, 240–243,
D3/245, 289, 301, 303, 318, 323, 327, 328,
D3/900; D8/97, 107, 300, 303, 313, 314,
D8/321; D15/5, 18
CPC Y10T 24/2586; Y10T 24/2589; Y10T
24/257; Y10T 24/25; A44B 19/262; A44B
19/26; A44B 19/00; A41F 1/008; A41D
2300/322; A45C 11/324

See application file for complete search history.

(56) **References Cited**

U.S. PATENT DOCUMENTS

D134,242 S * 11/1942 Kaplan 150/110
D246,874 S * 1/1978 Schwartz D3/246
D249,394 S * 9/1978 Schwartz D3/246
D270,496 S * 9/1983 Hyers D3/246

D521,233 S * 5/2006 Gonzalez D3/232
D548,458 S * 8/2007 Gregson, III D3/245
D585,193 S * 1/2009 Gonzalez D3/245
D684,765 S * 6/2013 Nannestad D3/232
D685,179 S * 7/2013 Hubbell D3/232

* cited by examiner

Primary Examiner — Robert M Spear

Assistant Examiner — Eliza Bennett-Hattan

(74) *Attorney, Agent, or Firm* — Fross Zelnick Lehrman &
Zissu, P.C.; Charles T. J. Weigell, Esq.

(57) **CLAIM**

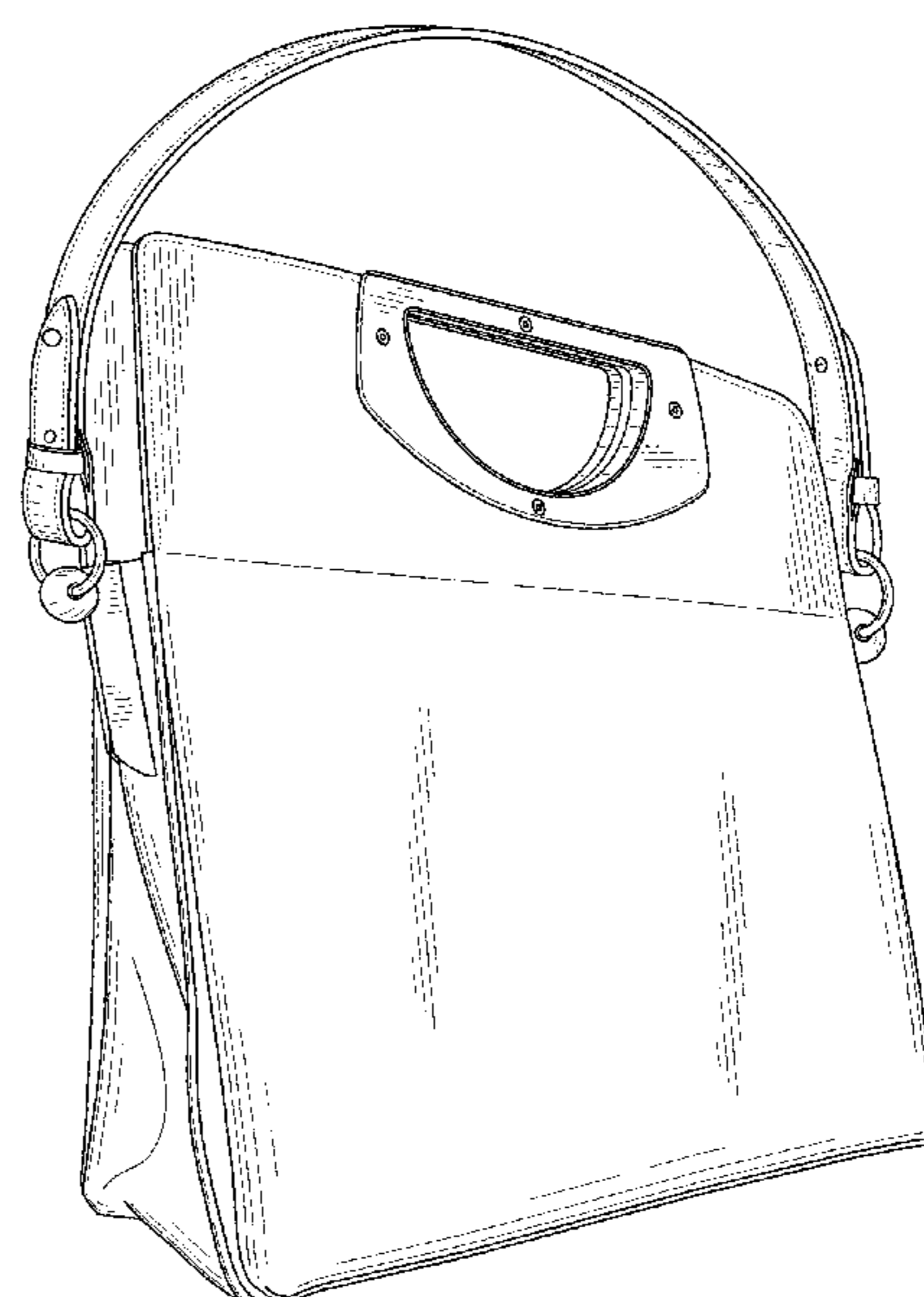
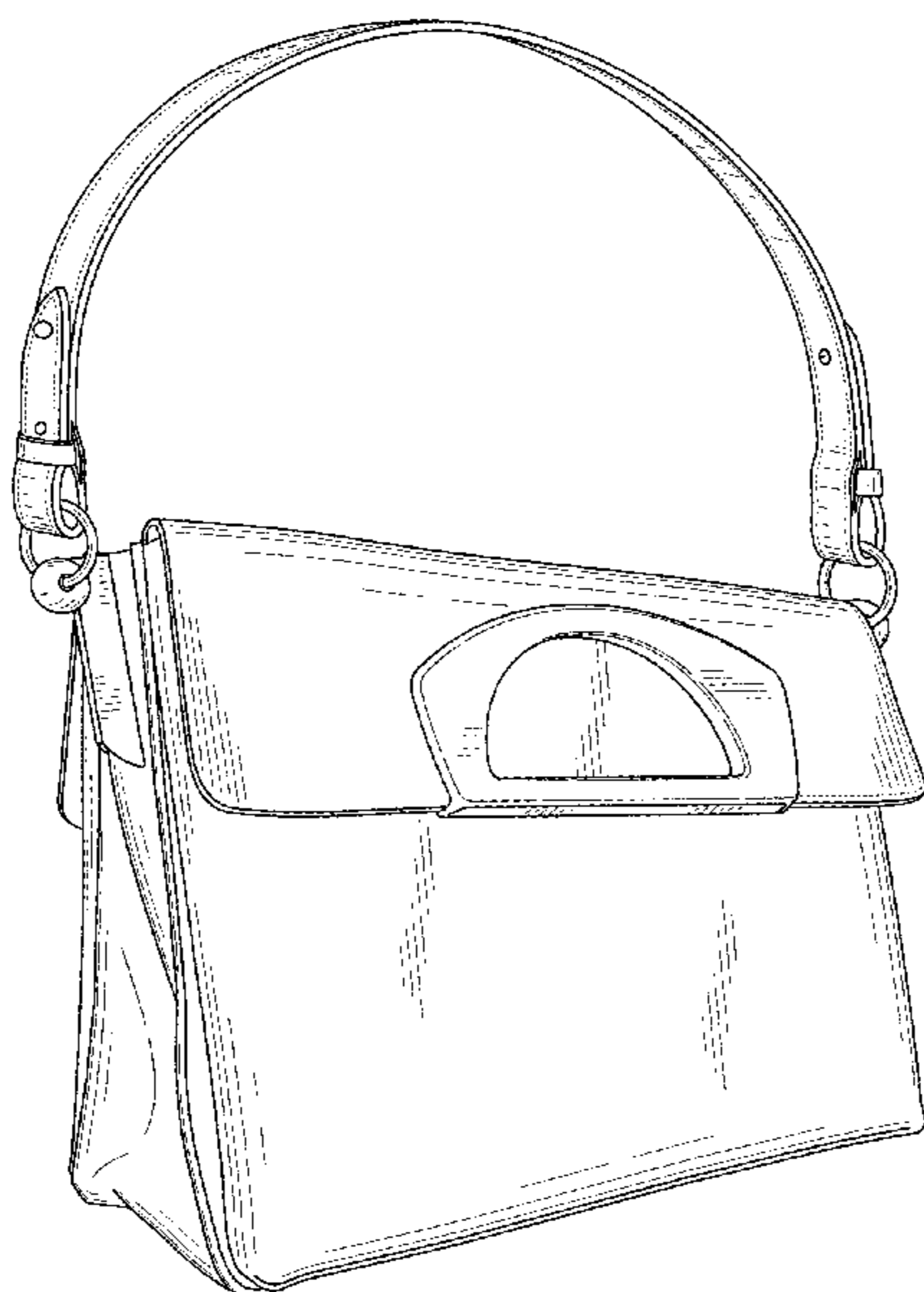
The ornamental design for a handbag, as shown and described.

DESCRIPTION

FIG. 1 is a front perspective view of a handbag showing my new design;
FIG. 2 is a front view of the handbag shown in FIG. 1;
FIG. 3 is a rear view of the handbag shown in FIG. 1;
FIG. 4 is a side view of the handbag shown in FIG. 1;
FIG. 5 is the other side view of the handbag shown in FIG. 1;
FIG. 6 is a top view of the handbag shown in FIG. 1;
FIG. 7 is a bottom view of the handbag shown in FIG. 1;
FIG. 8 is a front perspective view of the handbag shown in FIG. 1, with handles and flaps shown in a raised position;
FIG. 9 is a front view thereof;
FIG. 10 is a rear view thereof;
FIG. 11 is a side view thereof;
FIG. 12 is the other side view thereof;
FIG. 13 is a top view thereof; and,
FIG. 14 is a bottom view thereof.

The broken lines depict portions of the handbag in which the design is embodied is environmental matter and is not considered part of the claimed design in those figures.

1 Claim, 10 Drawing Sheets



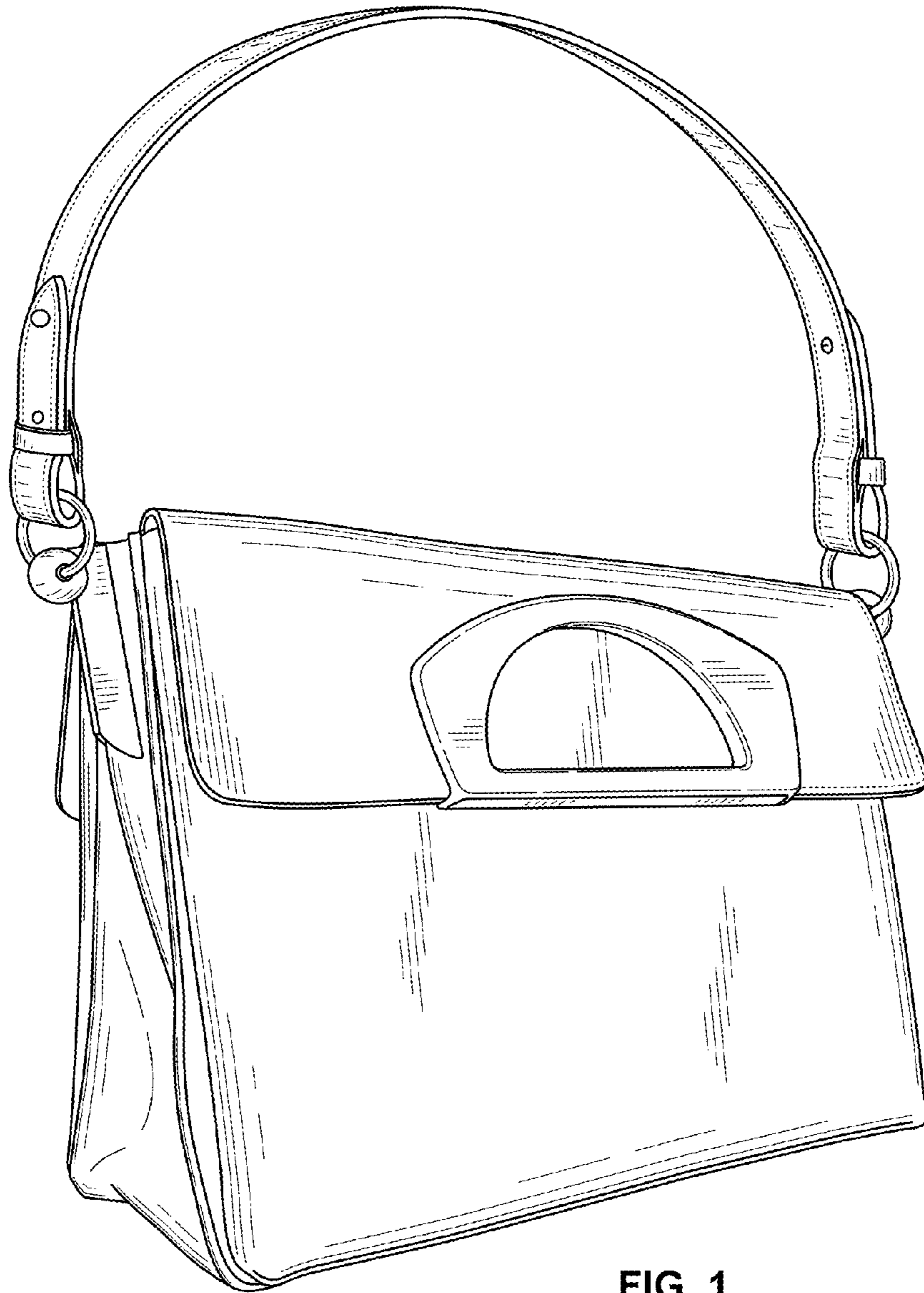


FIG. 1

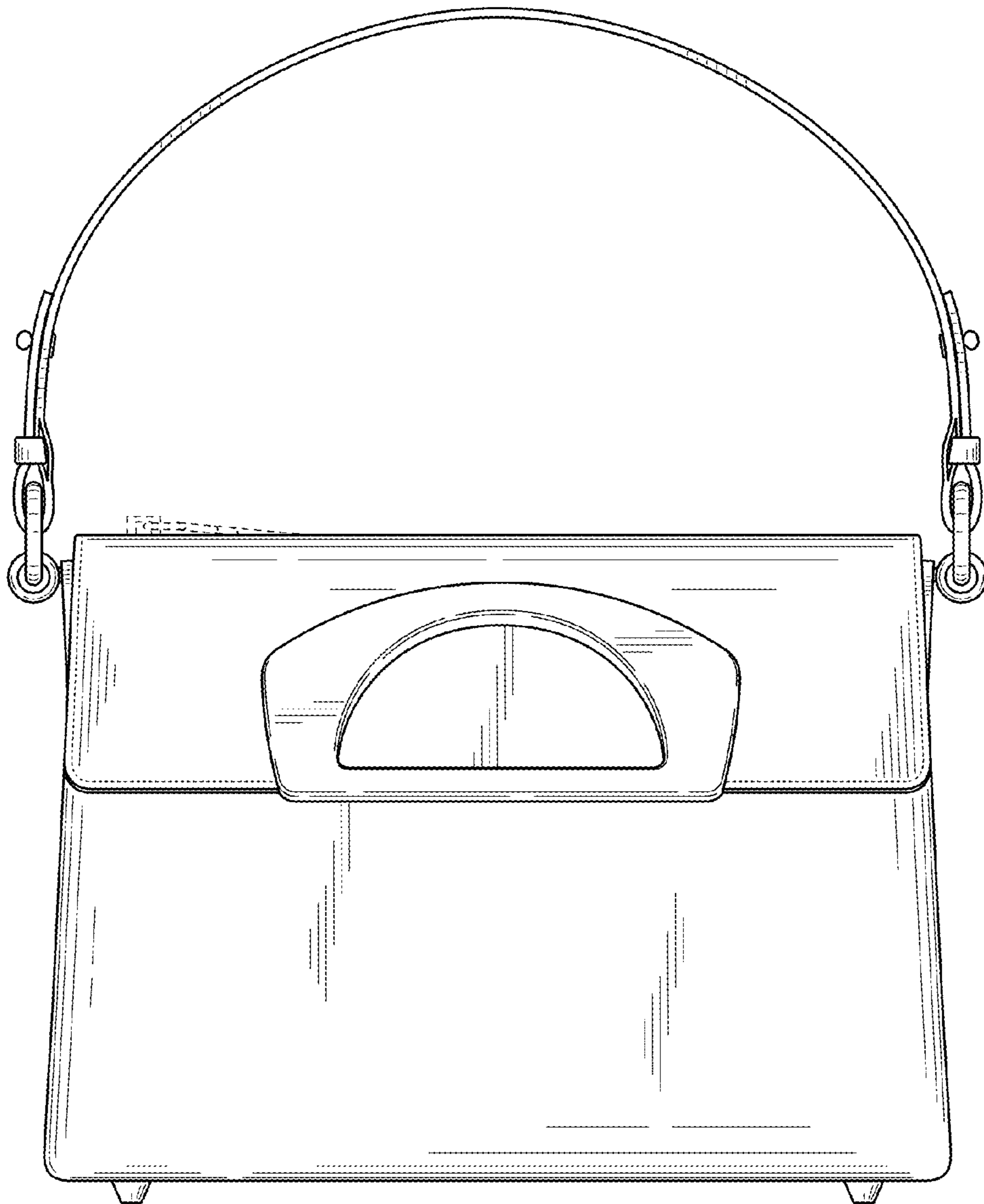


FIG. 2

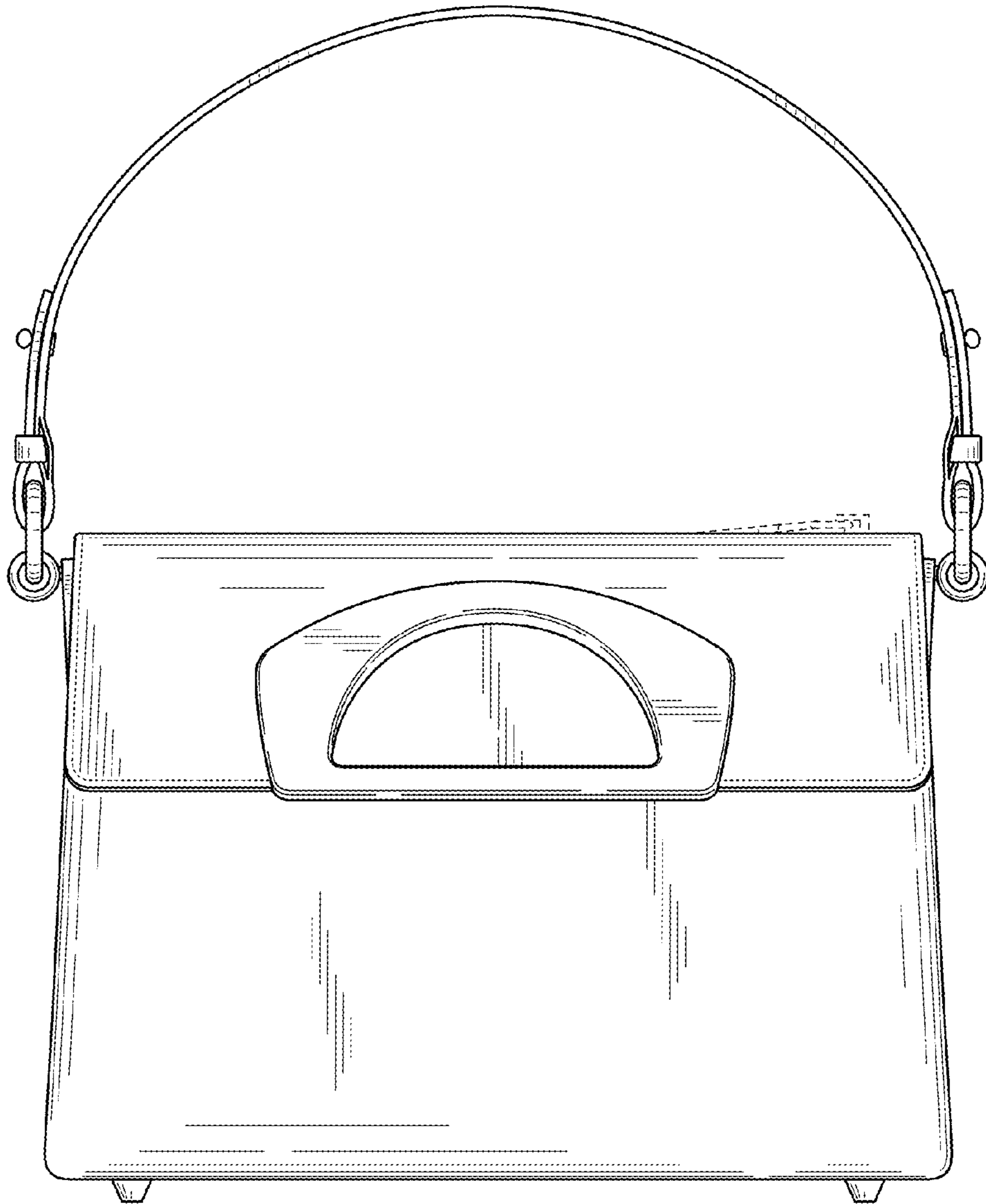


FIG. 3

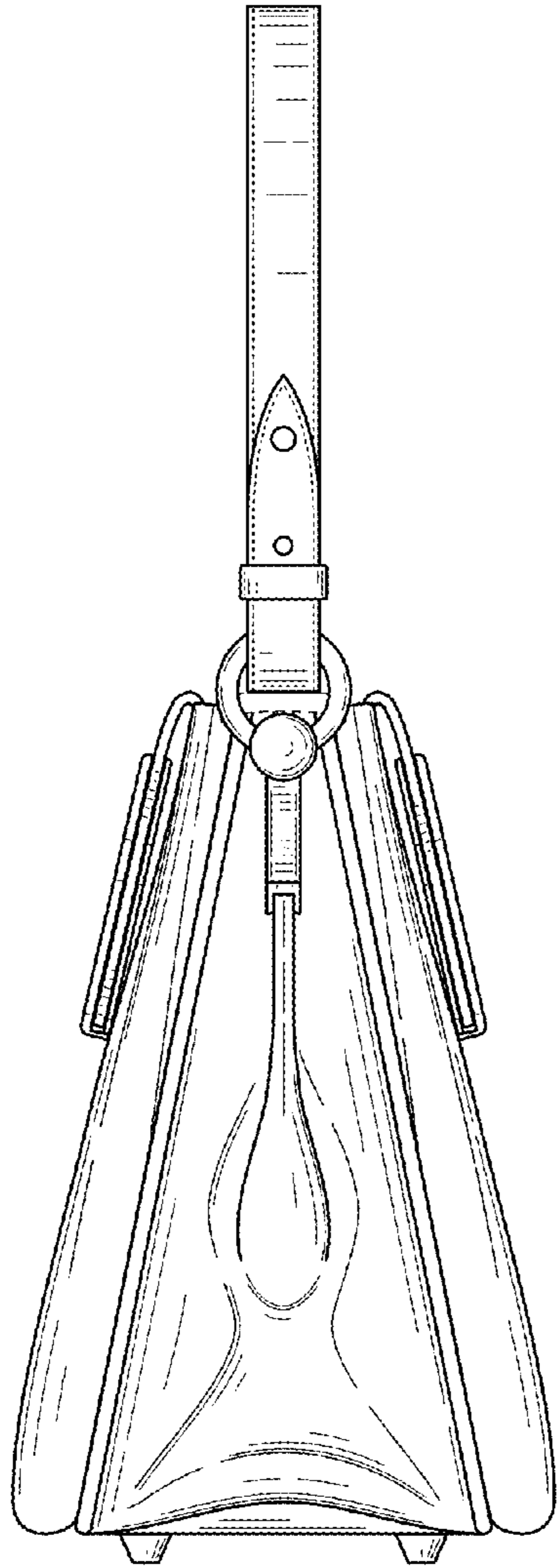


FIG. 4

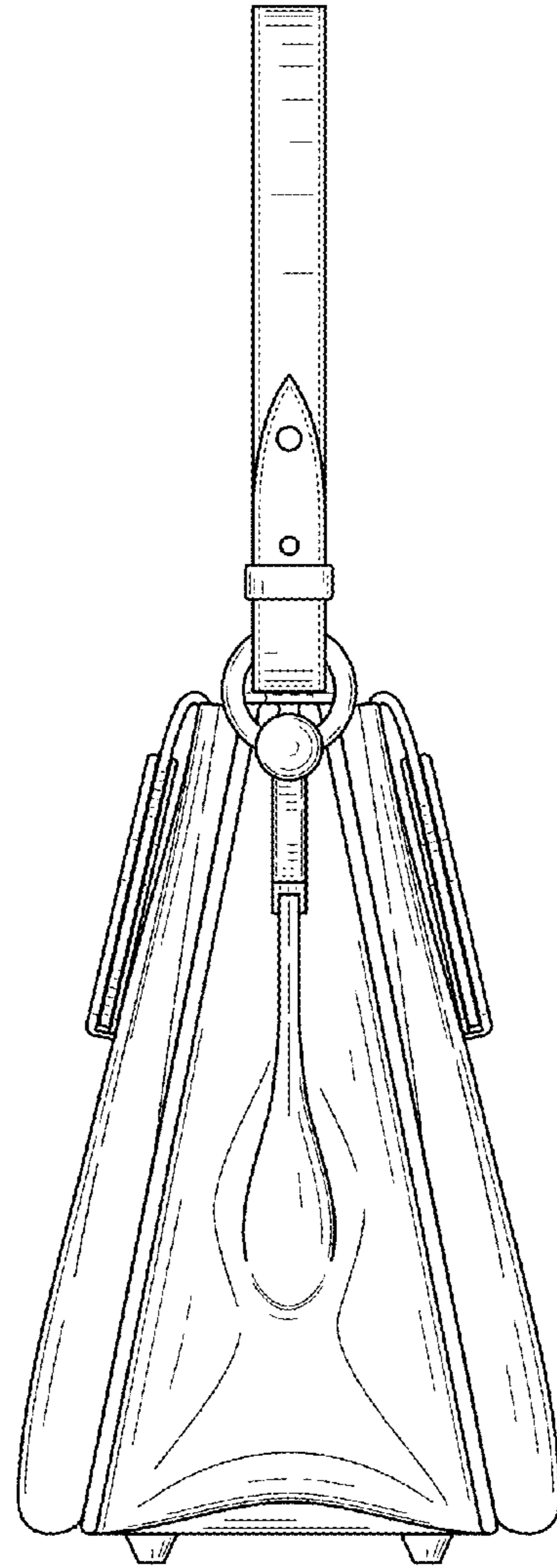


FIG. 5

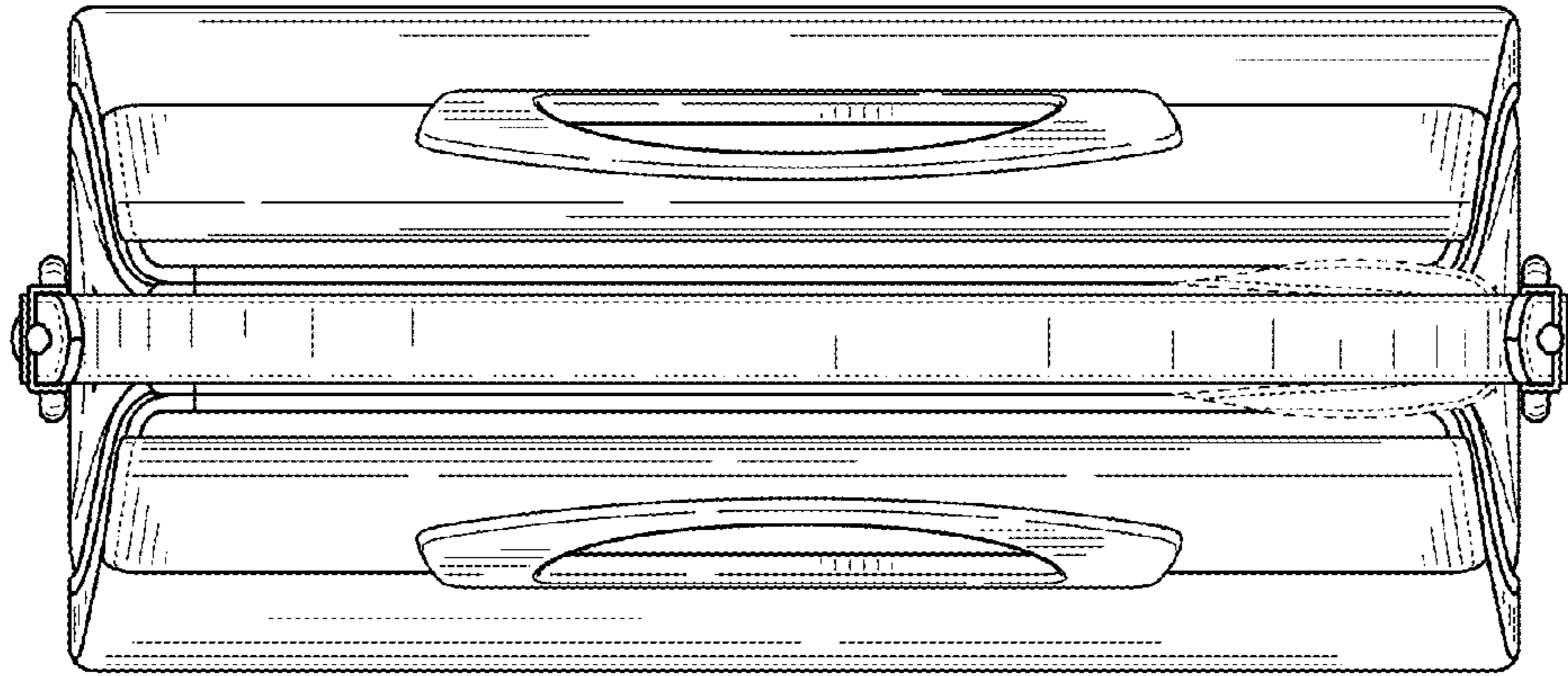


FIG. 6

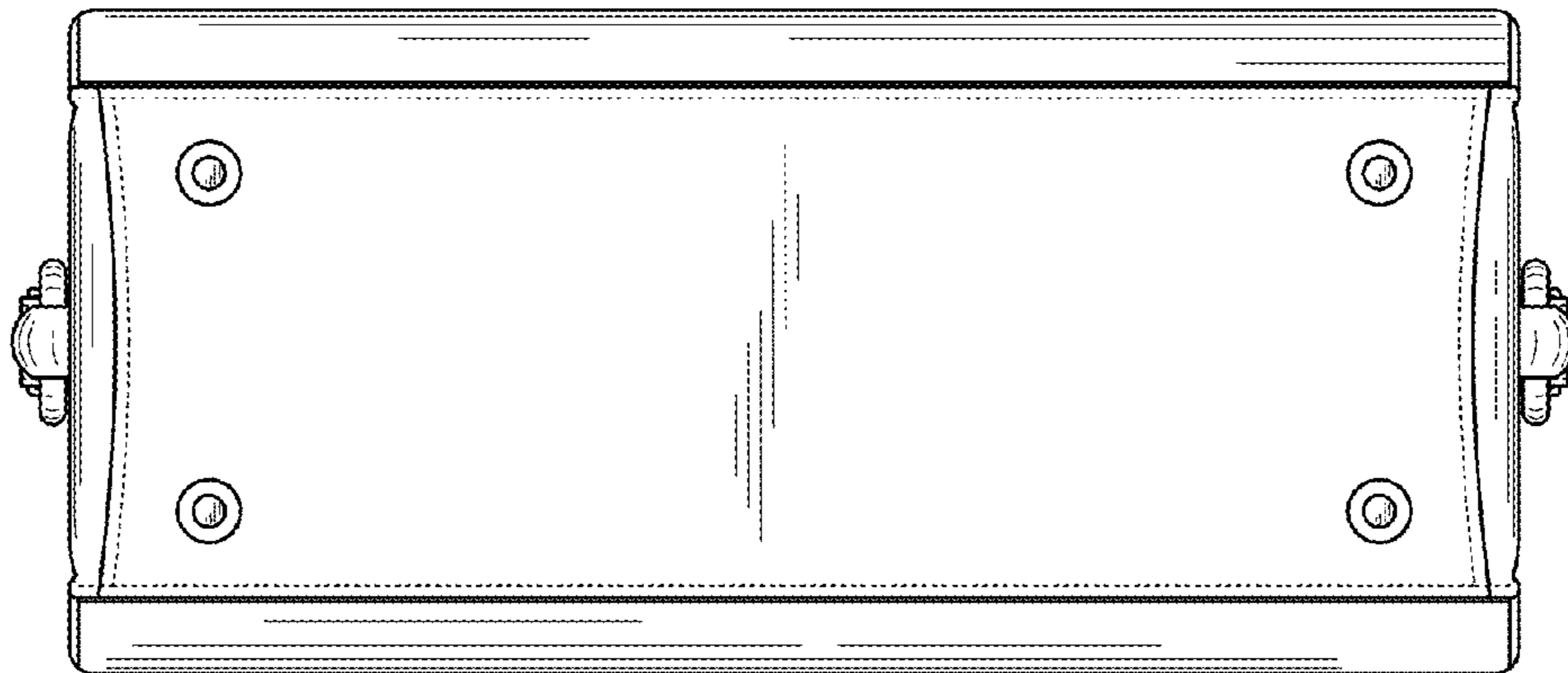


FIG. 7

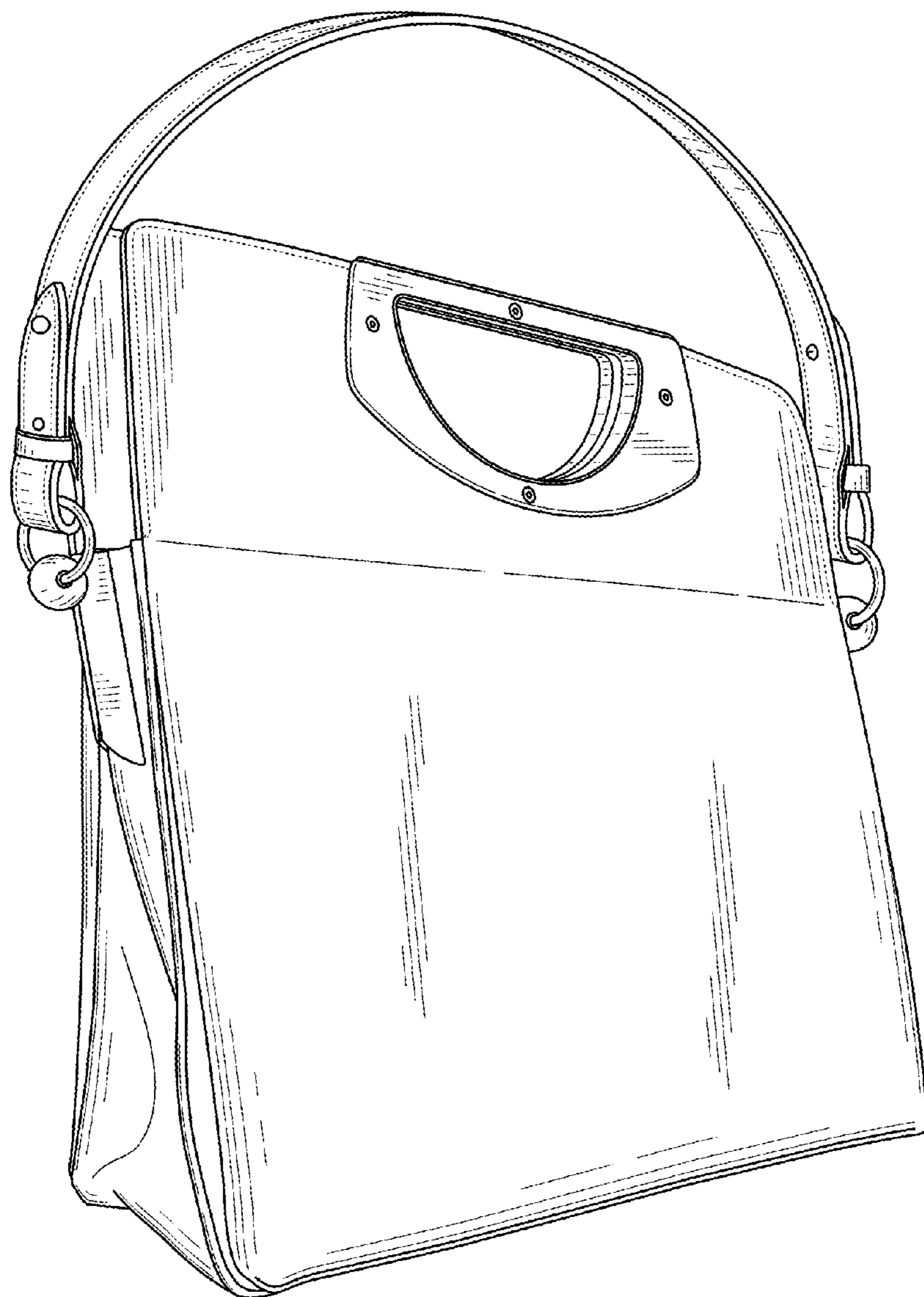


FIG. 8

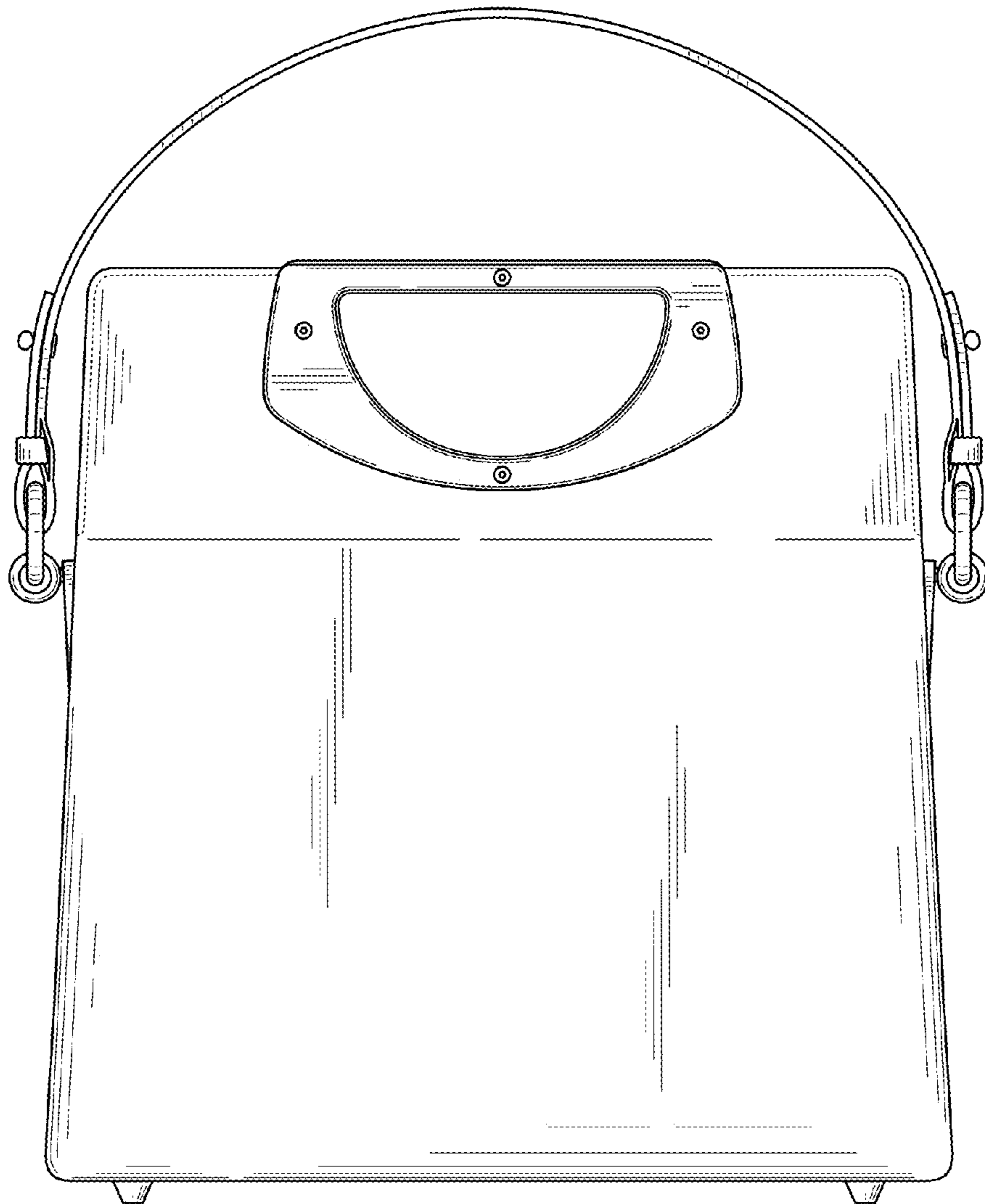


FIG. 9

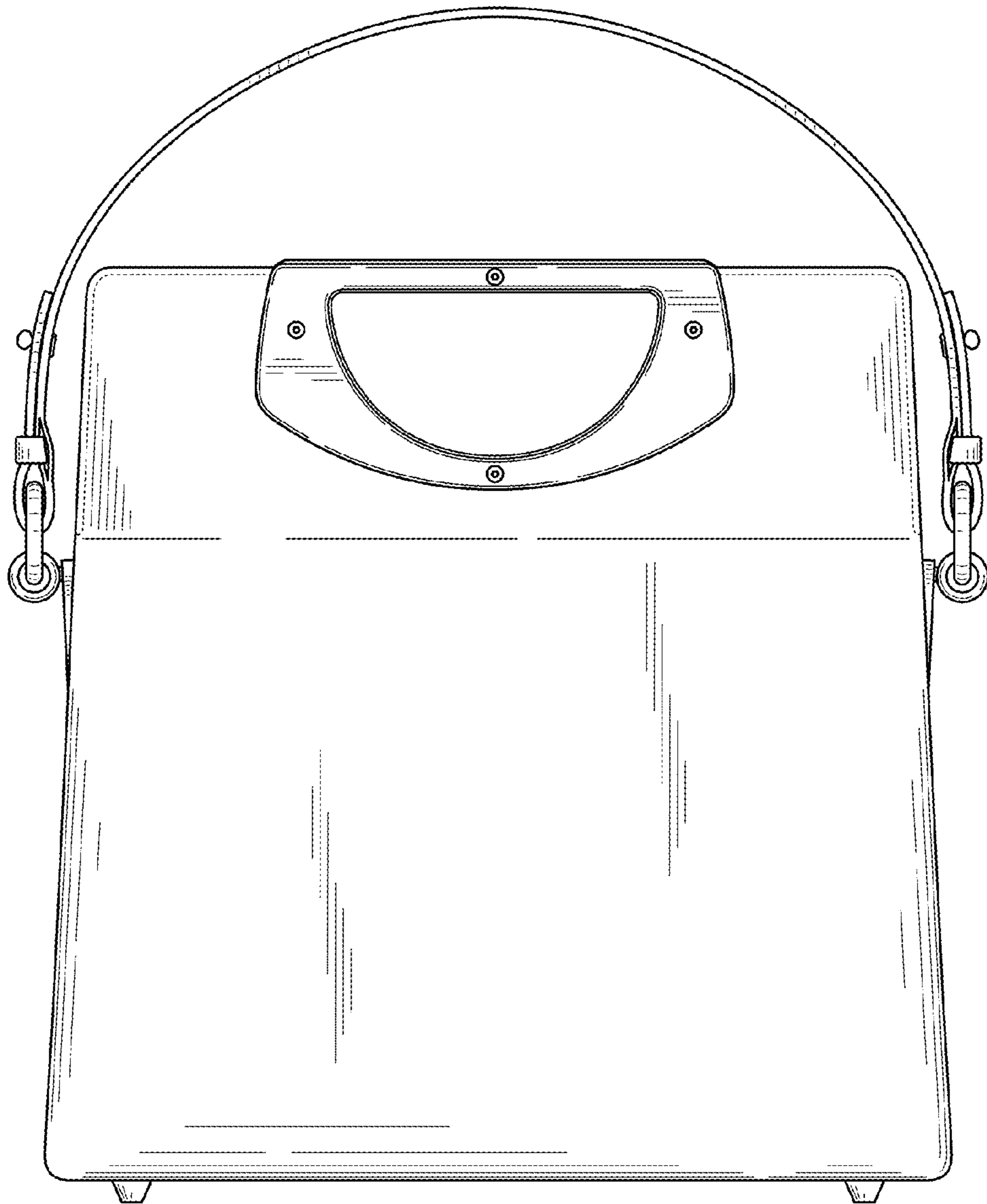


FIG. 10

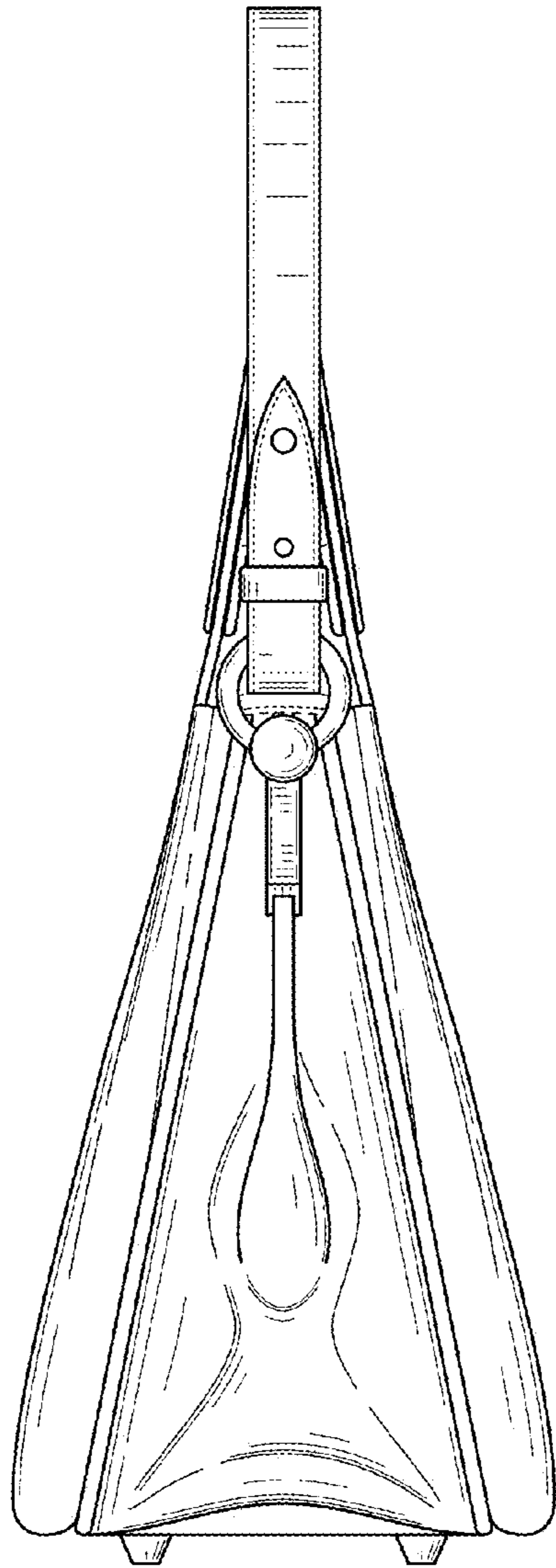


FIG. 11

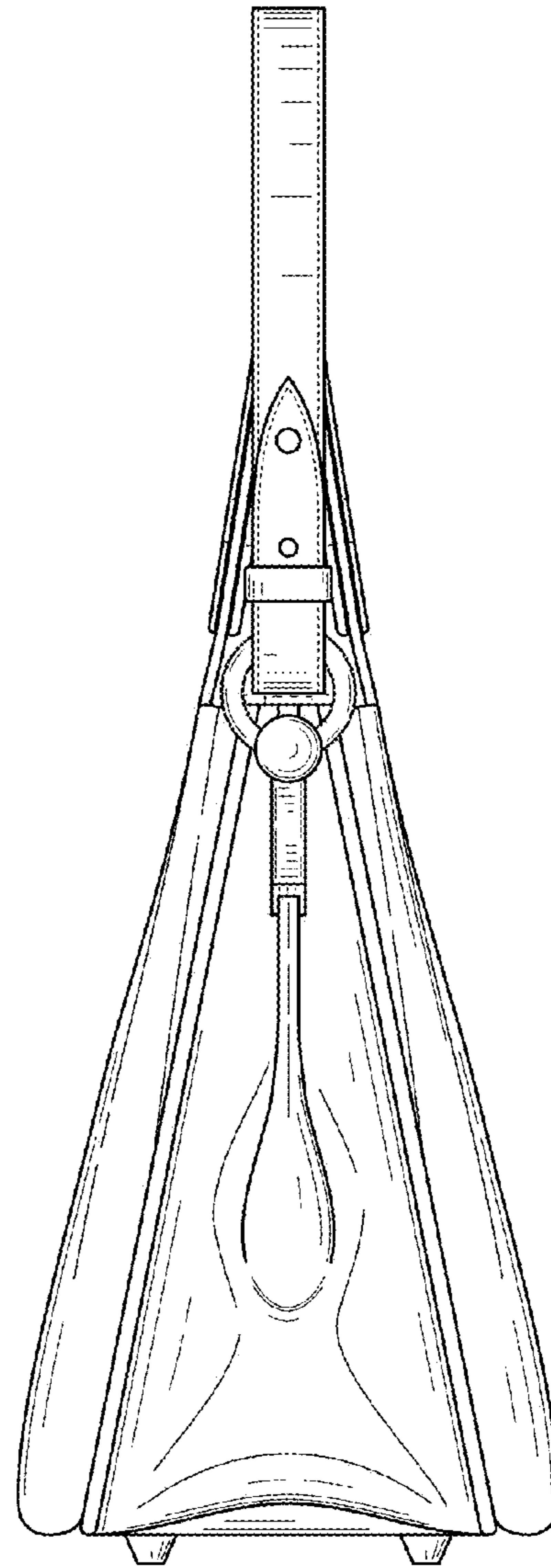


FIG. 12

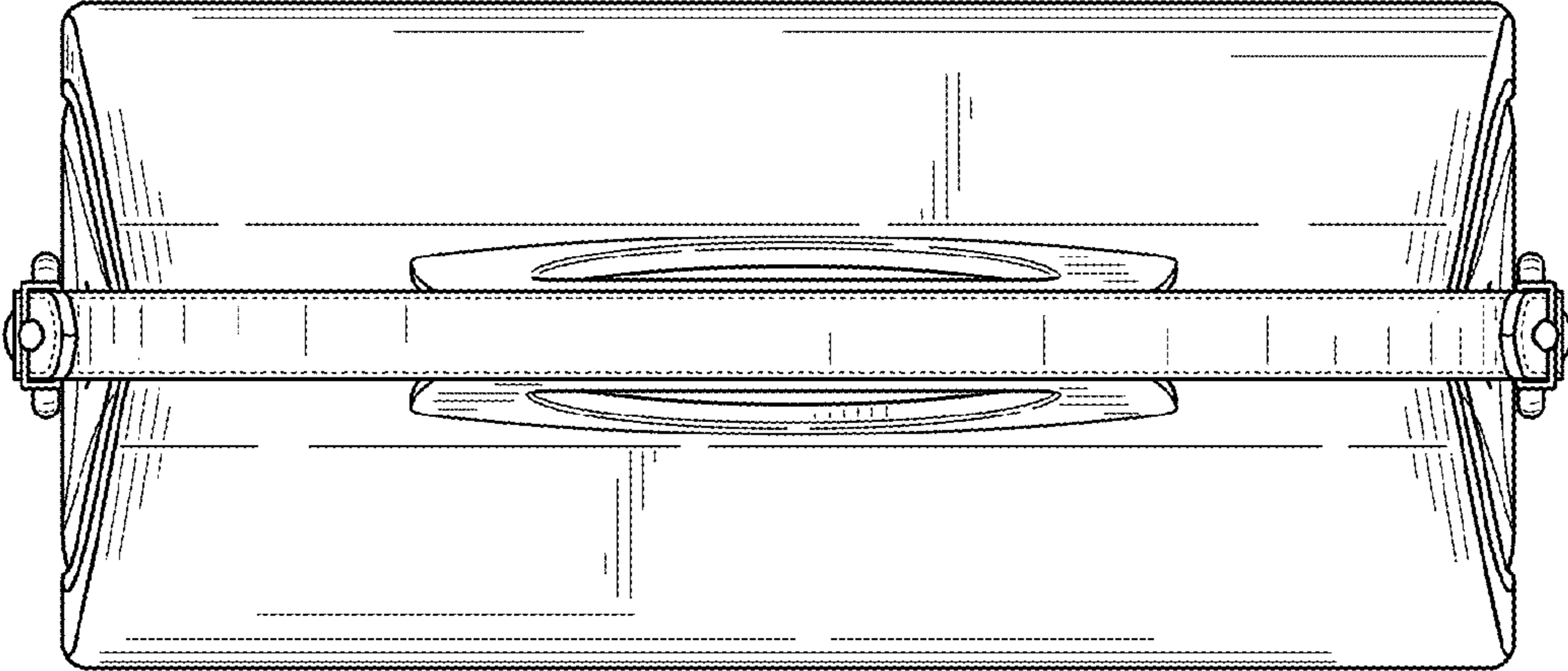


FIG. 13

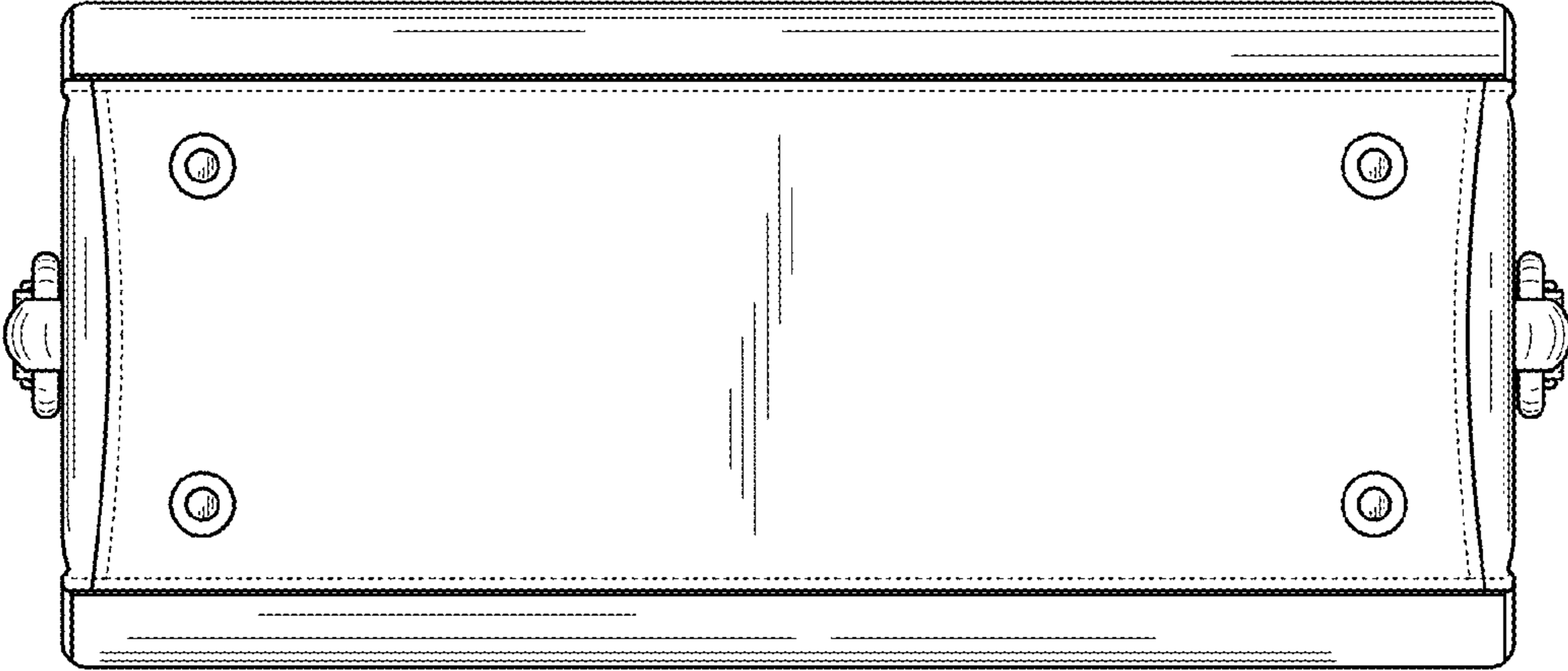


FIG. 14