



US00D751813S

(12) **United States Design Patent**
Le Gette et al.

(10) **Patent No.:** **US D751,813 S**
(45) **Date of Patent:** **** Mar. 22, 2016**

- (54) **PORTION OF HOLDER FOR ELECTRONIC DEVICE**
- (71) Applicant: **Zero Chroma, LLC**, Sykesville, MD (US)
- (72) Inventors: **Brian Le Gette**, Severna Park, MD (US); **David Reeb**, Sykesville, MD (US)
- (73) Assignee: **Zero Chroma, LLC**, Sykesville, MD (US)
- (**) Term: **14 Years**
- (21) Appl. No.: **29/481,104**
- (22) Filed: **Jan. 31, 2014**

Related U.S. Application Data

- (63) Continuation-in-part of application No. 13/887,036, filed on May 3, 2013, and a continuation-in-part of application No. 29/435,155, filed on Oct. 19, 2012, now Pat. No. Des. 698,543, which is a continuation-in-part of application No. 13/345,345, filed on Jan. 6, 2012, now Pat. No. 8,960,634, which is a continuation-in-part of application No. PCT/US2011/031918, filed on Apr. 11, 2011, which is a continuation-in-part of application No. 12/758,377, filed on Apr. 12, 2010, now Pat. No. 8,382,059, which is a continuation-in-part of application No. 12/556,182, filed on Sep. 9, 2009, now abandoned.
 - (51) **LOC (10) Cl.** **03-01**
 - (52) **U.S. Cl.**
USPC **D3/218**
 - (58) **Field of Classification Search**
USPC D3/218, 215, 219, 201, 269;
D6/310-311; 248/136, 447, 454-455,
248/442.2, 205.2; 40/747-748, 754, 725,
40/776; 224/196, 269, 640, 646, 666, 669,
224/678, 930; 379/445, 455
- See application file for complete search history.

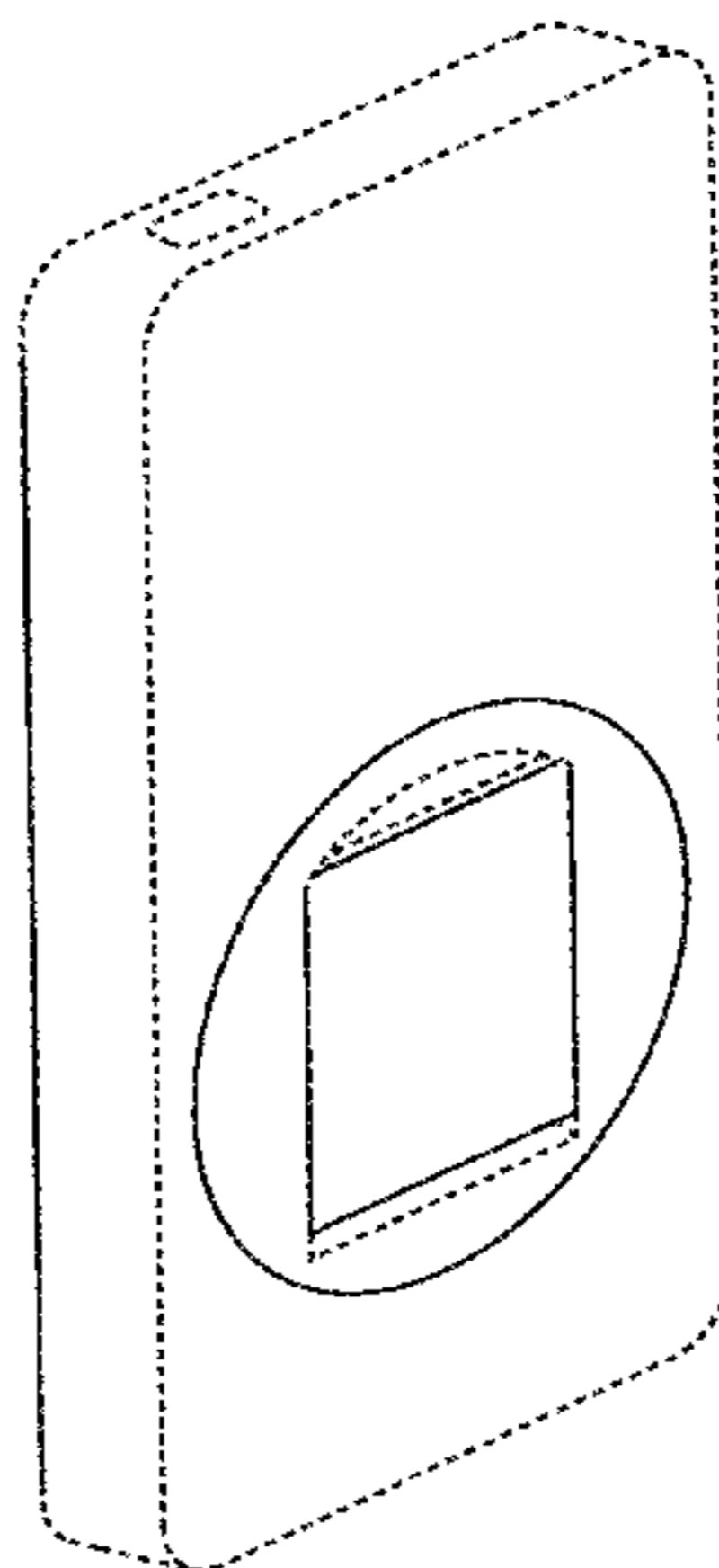
- (56) **References Cited**
U.S. PATENT DOCUMENTS
D307,677 S * 5/1990 Tontarelli D6/311
D564,754 S * 3/2008 Tages et al. D3/218
D594,225 S * 6/2009 Leung et al. D3/218
D597,321 S * 8/2009 Frankel et al. D6/310
7,744,055 B2 * 6/2010 Zeng et al. 248/447
7,975,970 B2 * 7/2011 Hu 248/136
D675,014 S * 1/2013 Adelman et al. D3/218
2012/0275094 A1 11/2012 Zhou et al.
Primary Examiner — Catheri Oliver-Garcia
(74) *Attorney, Agent, or Firm* — Oblon, McClelland, Maier & Neustadt, L.L.P.

(57) **CLAIM**
The new, original and ornamental design for a portion of holder for electronic device, as shown in the drawings and described herein.

DESCRIPTION

FIG. 1 is a left rear perspective view of a design for a portion of a holder for an electronic device according to an embodiment of the present invention;
 FIG. 2 is a right rear perspective view thereof;
 FIG. 3 is a rear elevational view thereof;
 FIG. 4 is a left front perspective view thereof;
 FIG. 5 is a front elevational view thereof;
 FIG. 6 is a left side elevational view thereof;
 FIG. 7 is a right side elevational view thereof;
 FIG. 8 is a right-side cross-sectional view thereof, taken along section lines 8-8 of FIG. 3;
 FIG. 9 is a top end elevational view thereof;
 FIG. 10 is a bottom end elevational view thereof;
 FIG. 11 is a cross-sectional view facing the bottom end thereof, taken along section lines 11-11 of FIG. 3; and,
 FIG. 12 is a rear elevational view of the design for a portion of a holder for an electronic device according to an embodiment with different dimensions as compared to the embodiment illustrated with respect to FIGS. 1-11. Each of the front, side, and end views can be the same as or similar to those of FIGS. 1-11, again, adjusted for the specific dimensions and/or electronic device operational portion(s) for use therewith. For example, none of the broken-line oval/circular portions may be present, a different number of the broken-line oval/circular portions may be present, or the broken-line oval/circular portions may be arranged at different portions about the end(s) and/or side(s) and/or back.

1 Claim, 12 Drawing Sheets



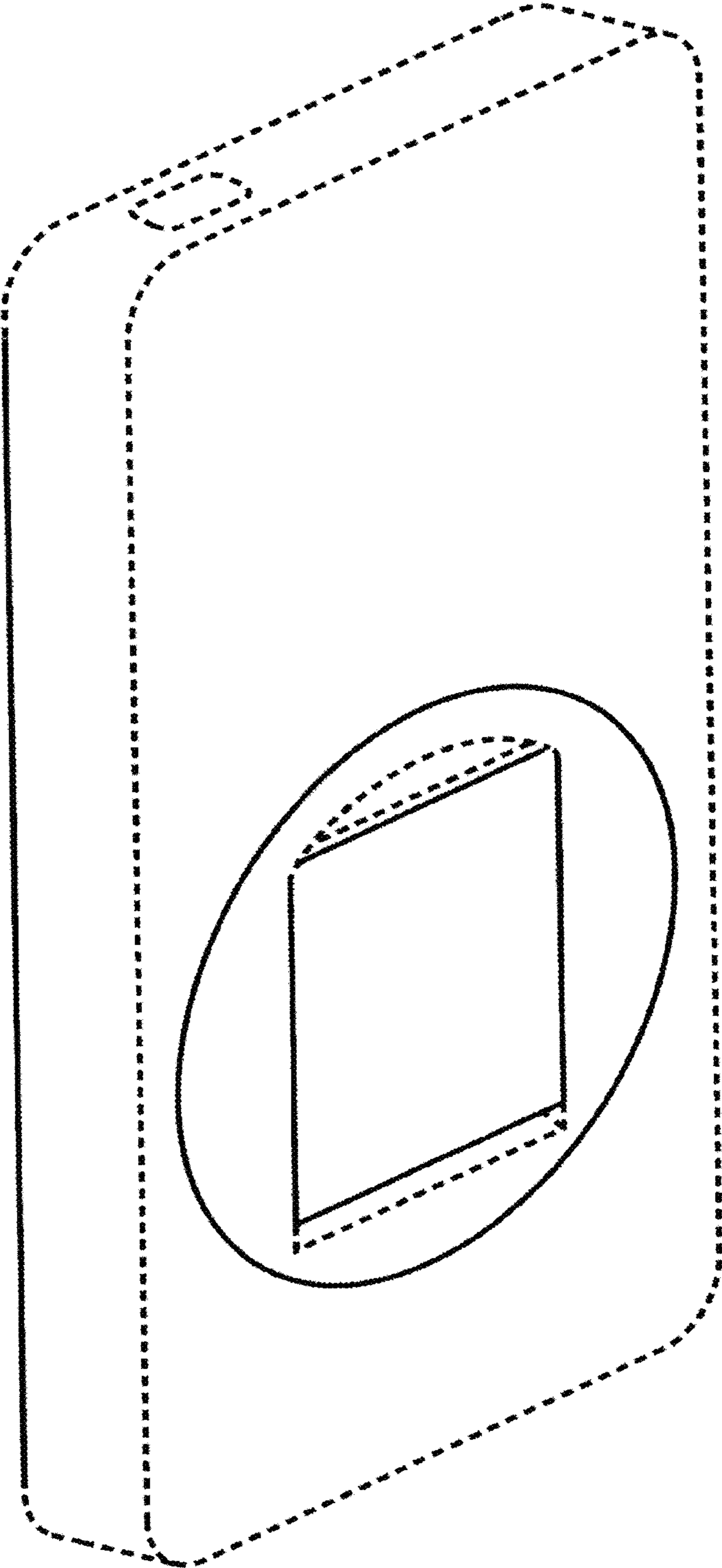


FIG. 1

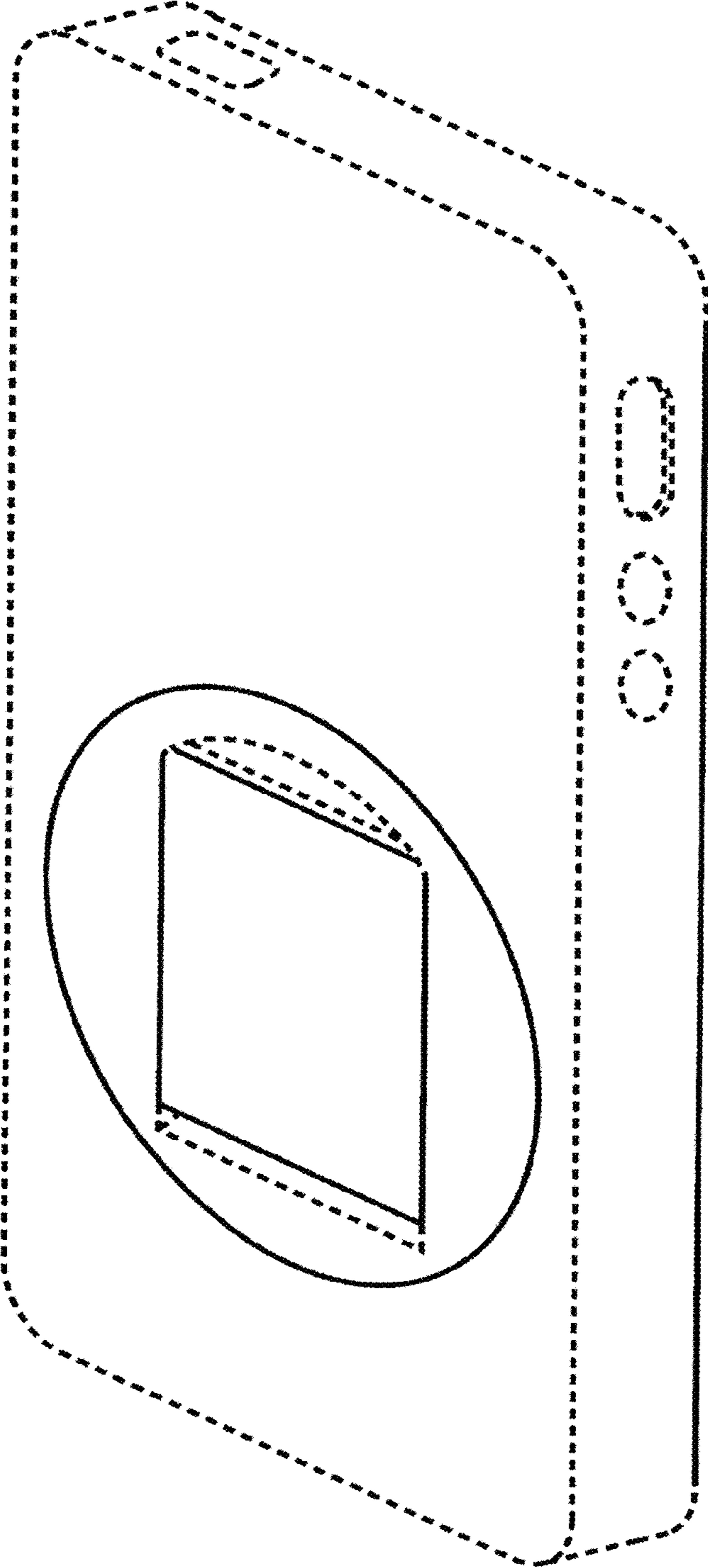


FIG. 2

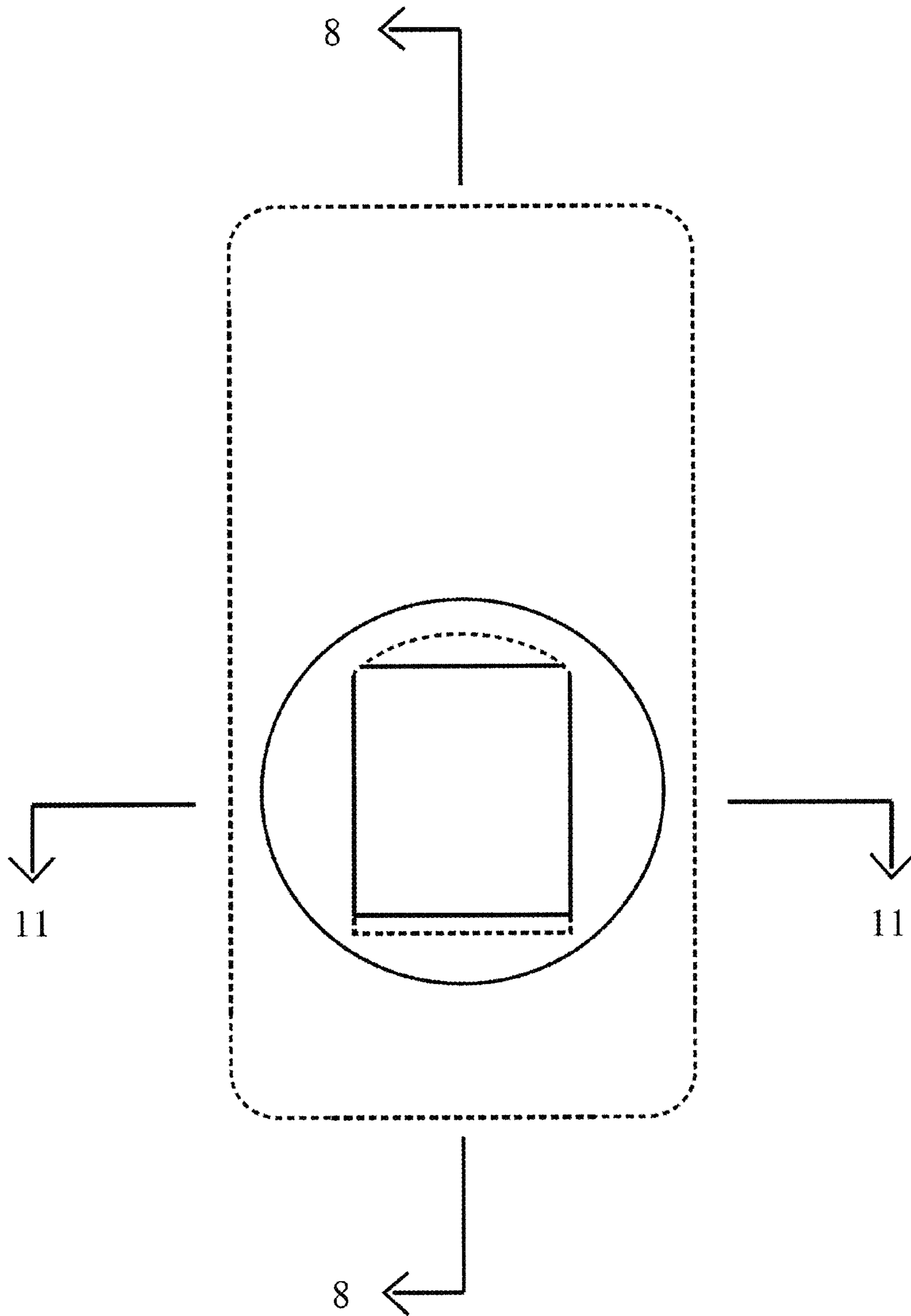


FIG. 3

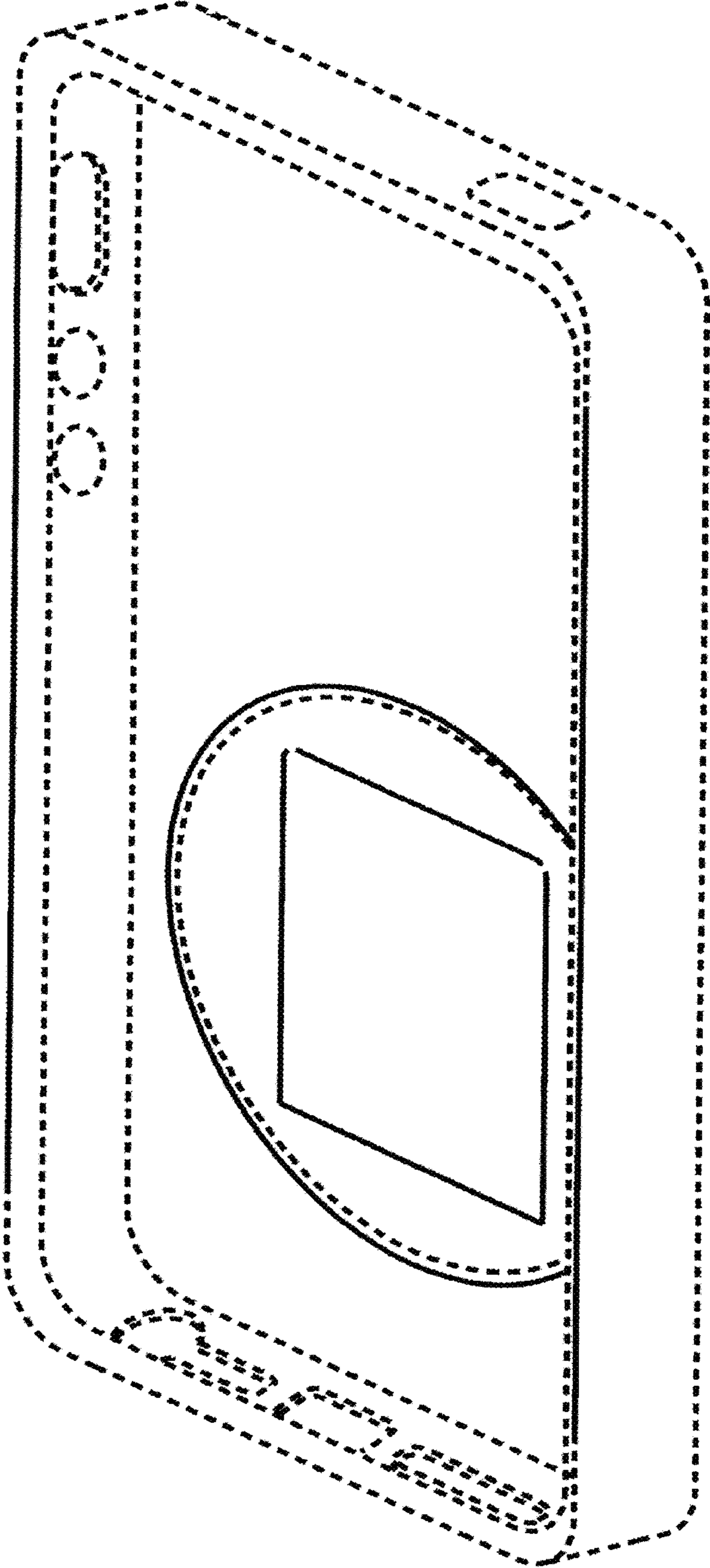


FIG. 4

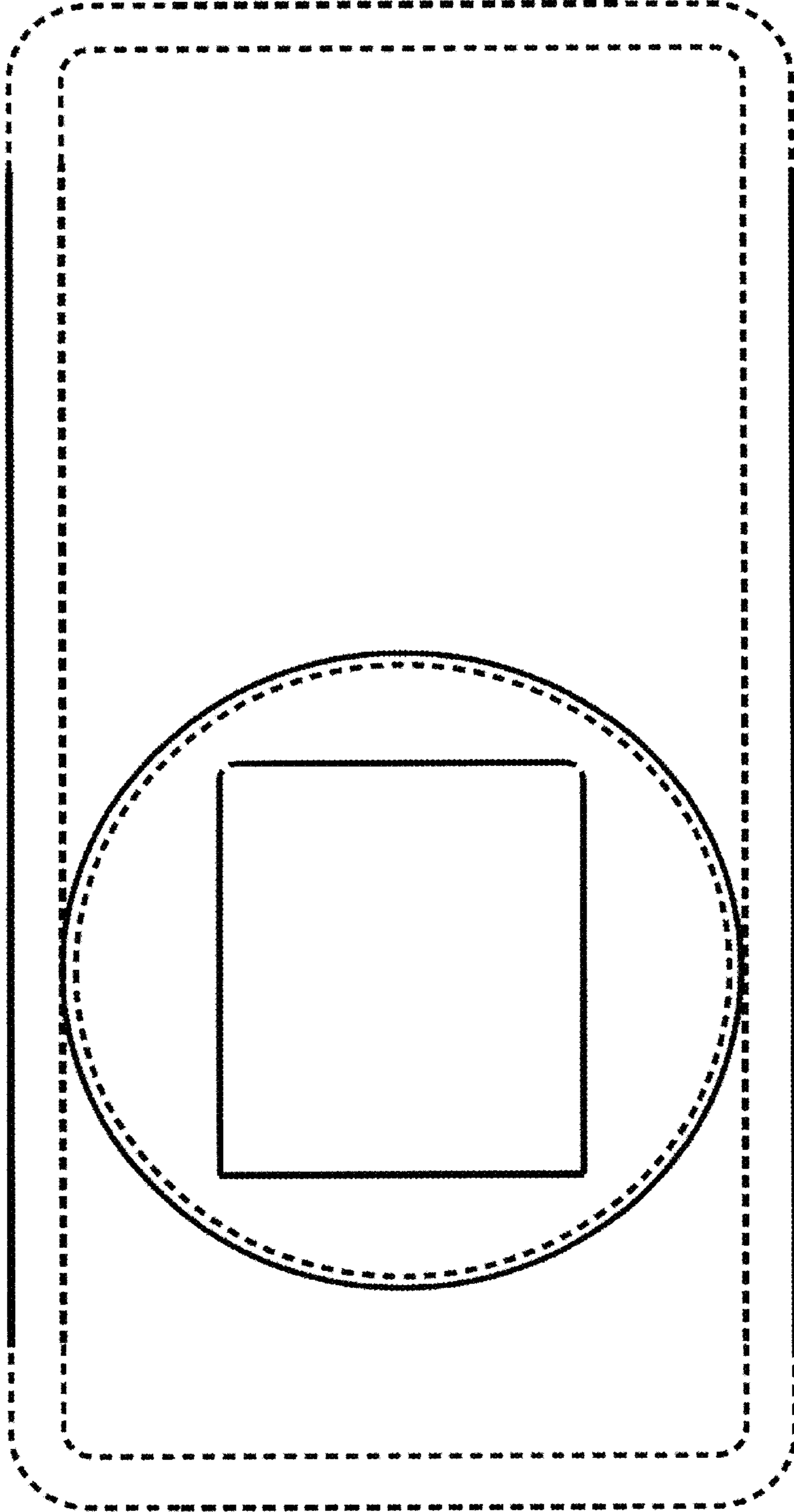


FIG. 5



FIG. 6

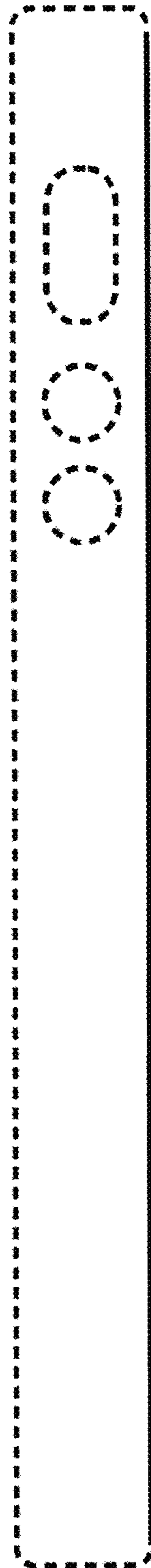


FIG. 7

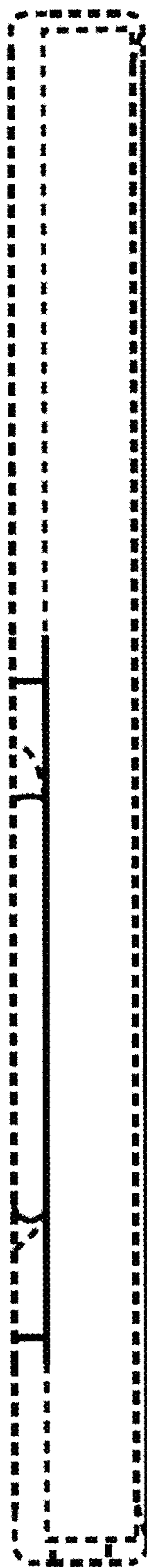


FIG. 8

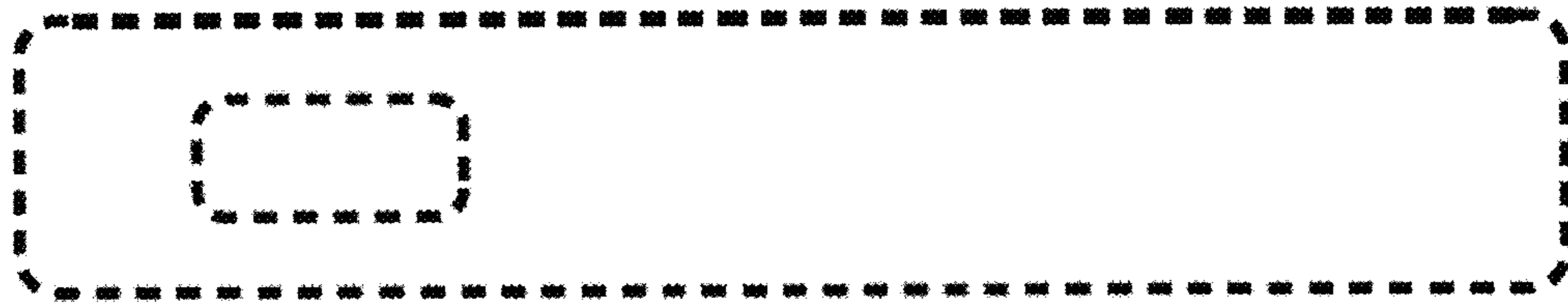


FIG. 9

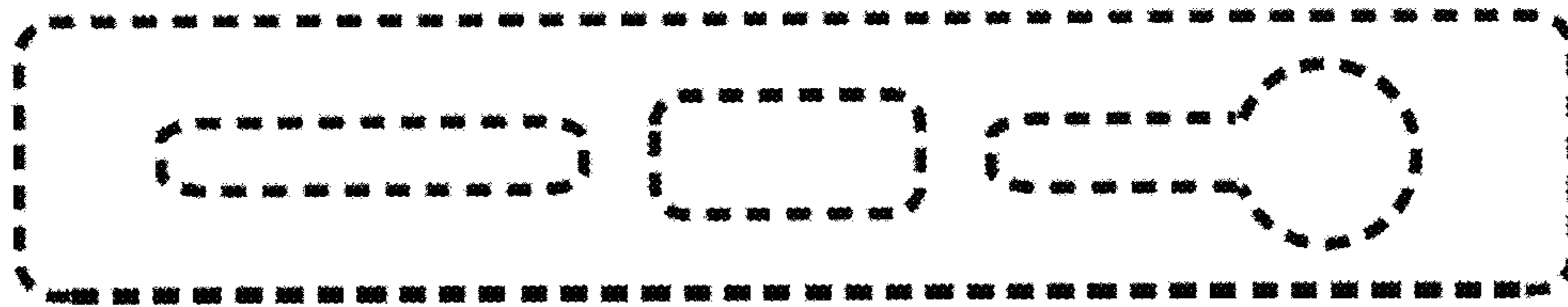


FIG. 10

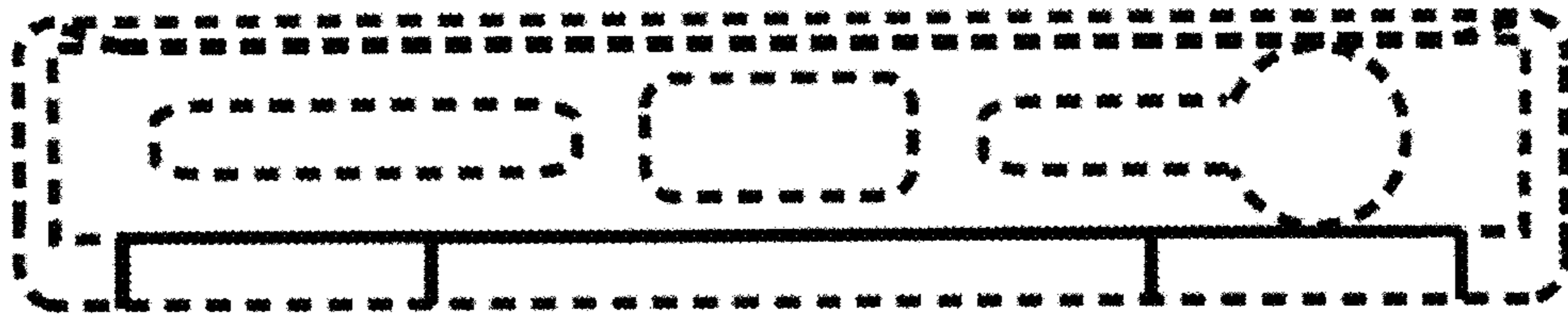


FIG. 11

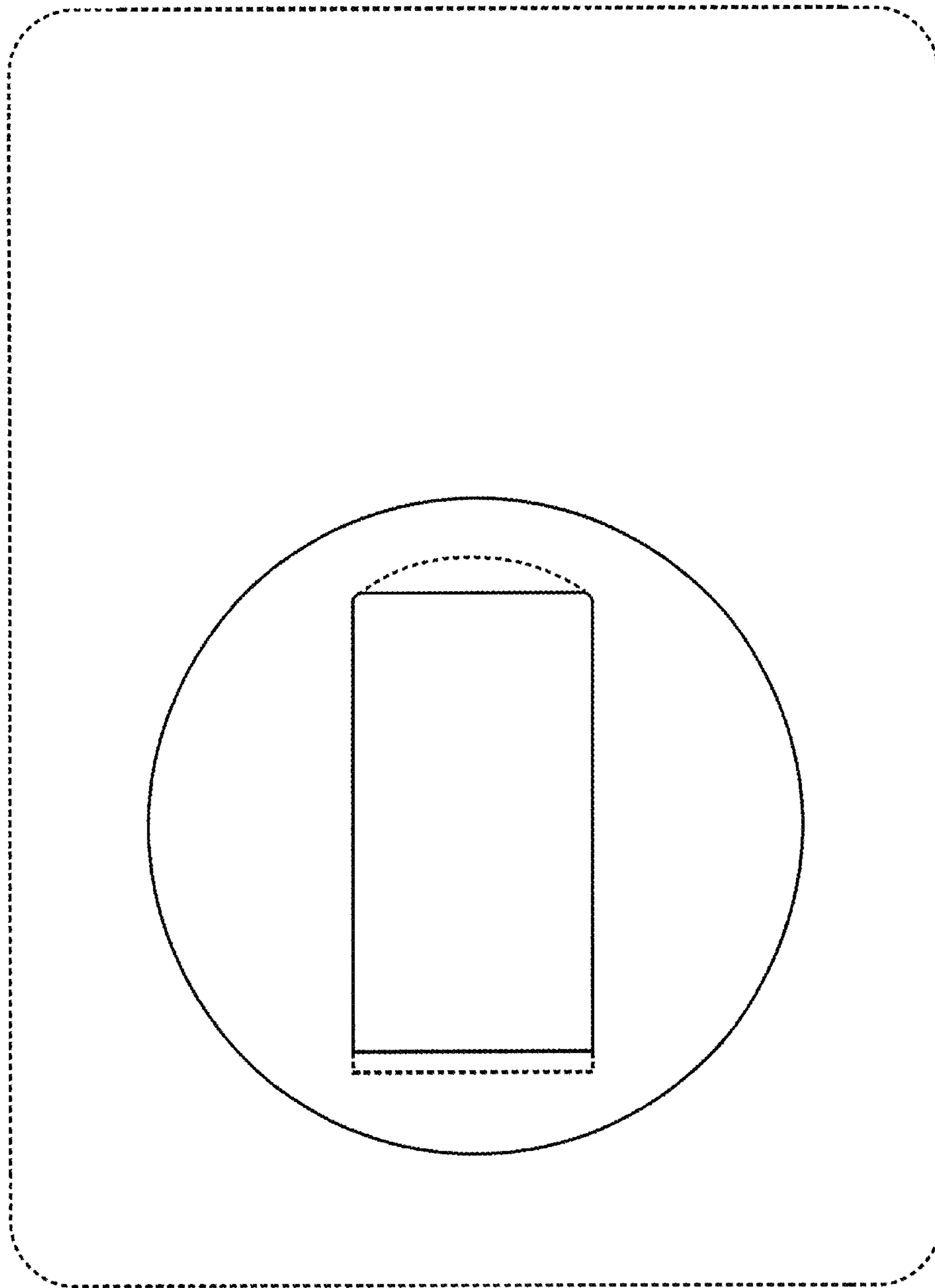


FIG. 12