



US00D751812S

(12) **United States Design Patent**
Bagala

(10) **Patent No.:** **US D751,812 S**
(45) **Date of Patent:** **** Mar. 22, 2016**

- (54) **CAN HOLDER AND OPENER**
- (71) Applicant: **Gino Bagala**, Santa Rosa, CA (US)
- (72) Inventor: **Gino Bagala**, Santa Rosa, CA (US)
- (**) Term: **14 Years**
- (21) Appl. No.: **29/511,016**
- (22) Filed: **Dec. 5, 2014**
- (51) **LOC (10) Cl.** **03-01**
- (52) **U.S. Cl.**
USPC **D3/215**
- (58) **Field of Classification Search**
USPC D3/215, 228–229; D27/172, 183, 187,
D27/189–191; 206/236, 242; 224/163, 247;
24/3.7
CPC A44B 11/005
See application file for complete search history.

- D559,531 S * 1/2008 Koppe D27/186
- D597,737 S * 8/2009 Collins D27/186
- D600,006 S * 9/2009 Lau D27/186

* cited by examiner

Primary Examiner — Catheri Oliver-Garcia
(74) *Attorney, Agent, or Firm* — Edward S. Sherman

(57) **CLAIM**

The ornamental design for a can holder and opener, as shown and described.

DESCRIPTION

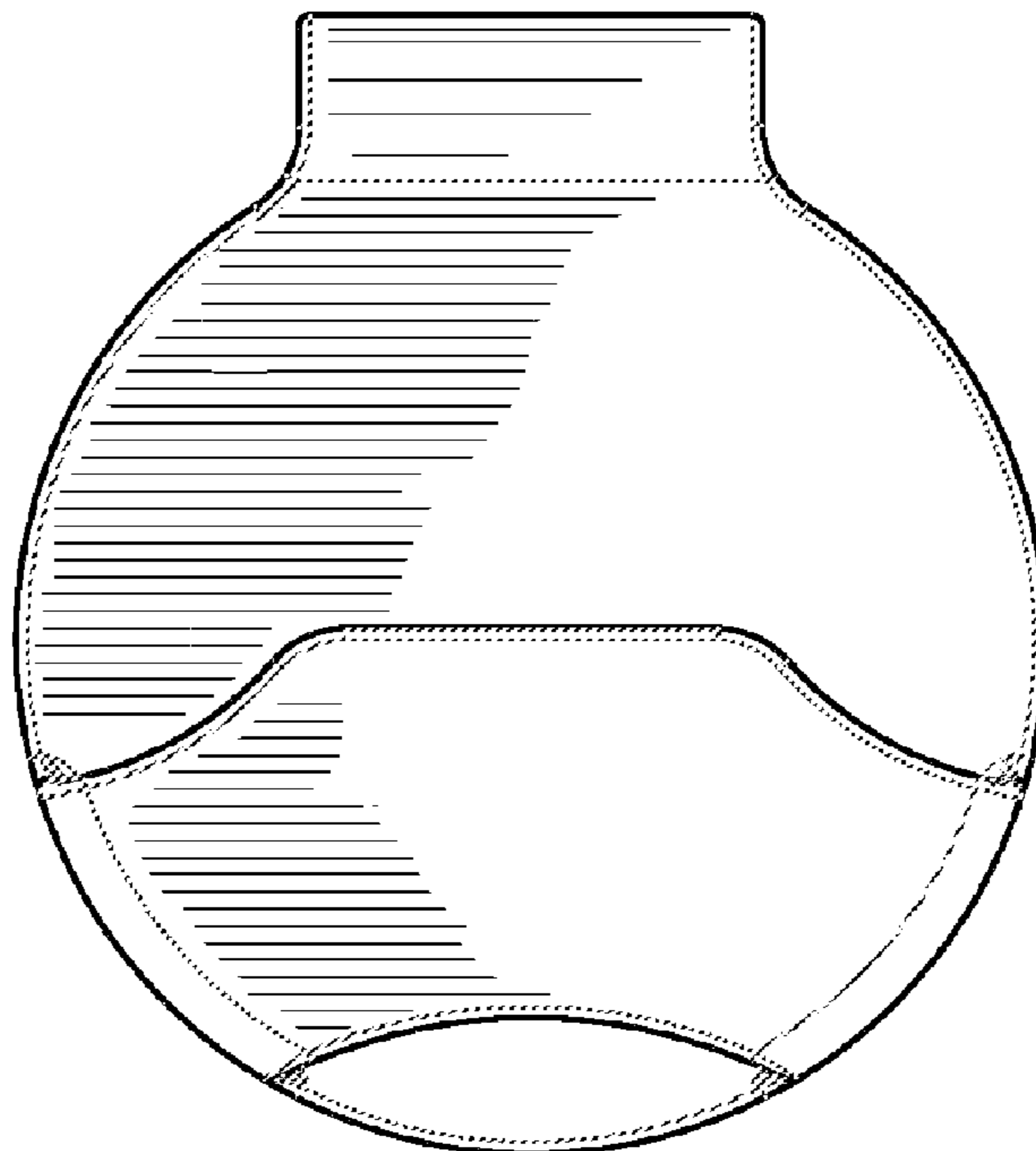
FIG. 1 is a front elevation view of the “can holder and opener”, showing my new design;
 FIG. 2 is a right side elevation view thereof, the left side elevational view being the mirror image thereof;
 FIG. 3 is a front elevation view of FIG. 1;
 FIG. 4 is a cross sectional elevation view shown along line 4-4 of FIG. 3;
 FIG. 5 is a top plan view thereof;
 FIG. 6 is a bottom plan view thereof;
 FIG. 7 is a rear elevation view thereof;
 FIG. 8 is a front, top and side perspective view thereof;
 FIG. 9 is a rear, top and side perspective view thereof; and,
 FIG. 10 is a front, top an opposite side view thereof.

1 Claim, 5 Drawing Sheets

(56) **References Cited**

U.S. PATENT DOCUMENTS

- 4,562,620 A * 1/1986 Oliver, Jr. A44B 11/005
224/163
- D387,897 S * 12/1997 Yorke D27/172
- D483,939 S * 12/2003 Kountz D3/215
- D548,957 S * 8/2007 Lowe D27/186



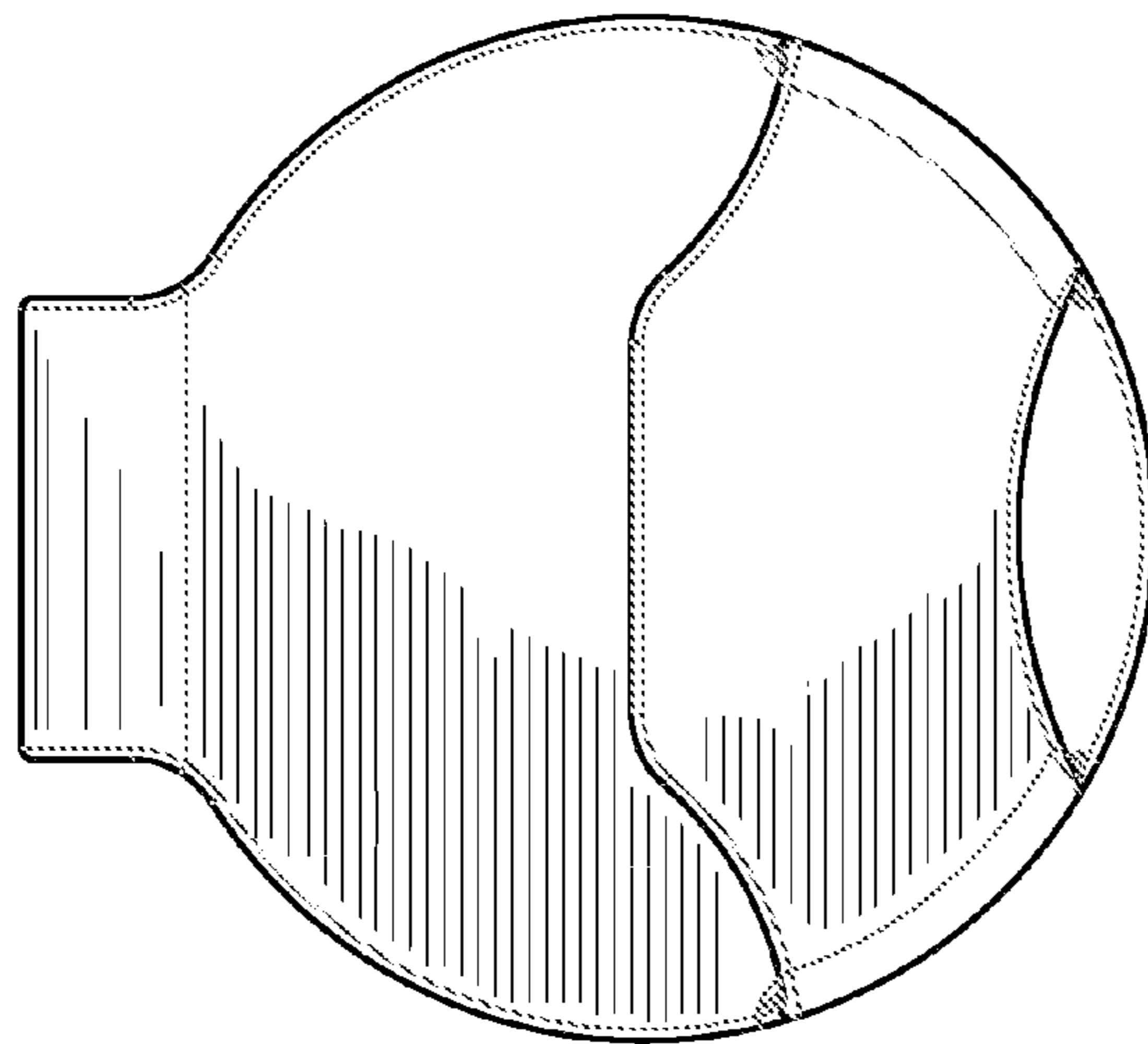


FIG. 1

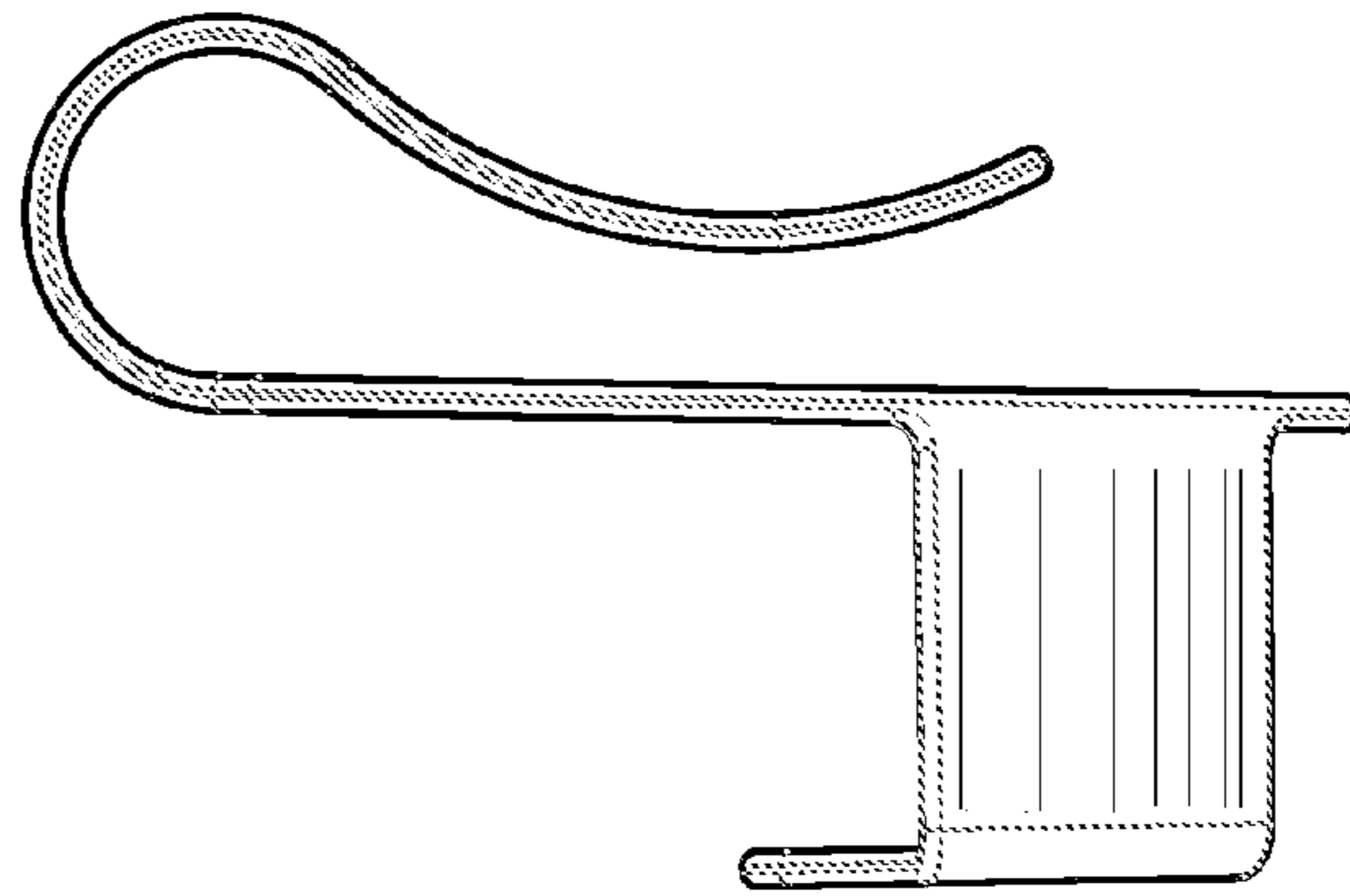


FIG. 2

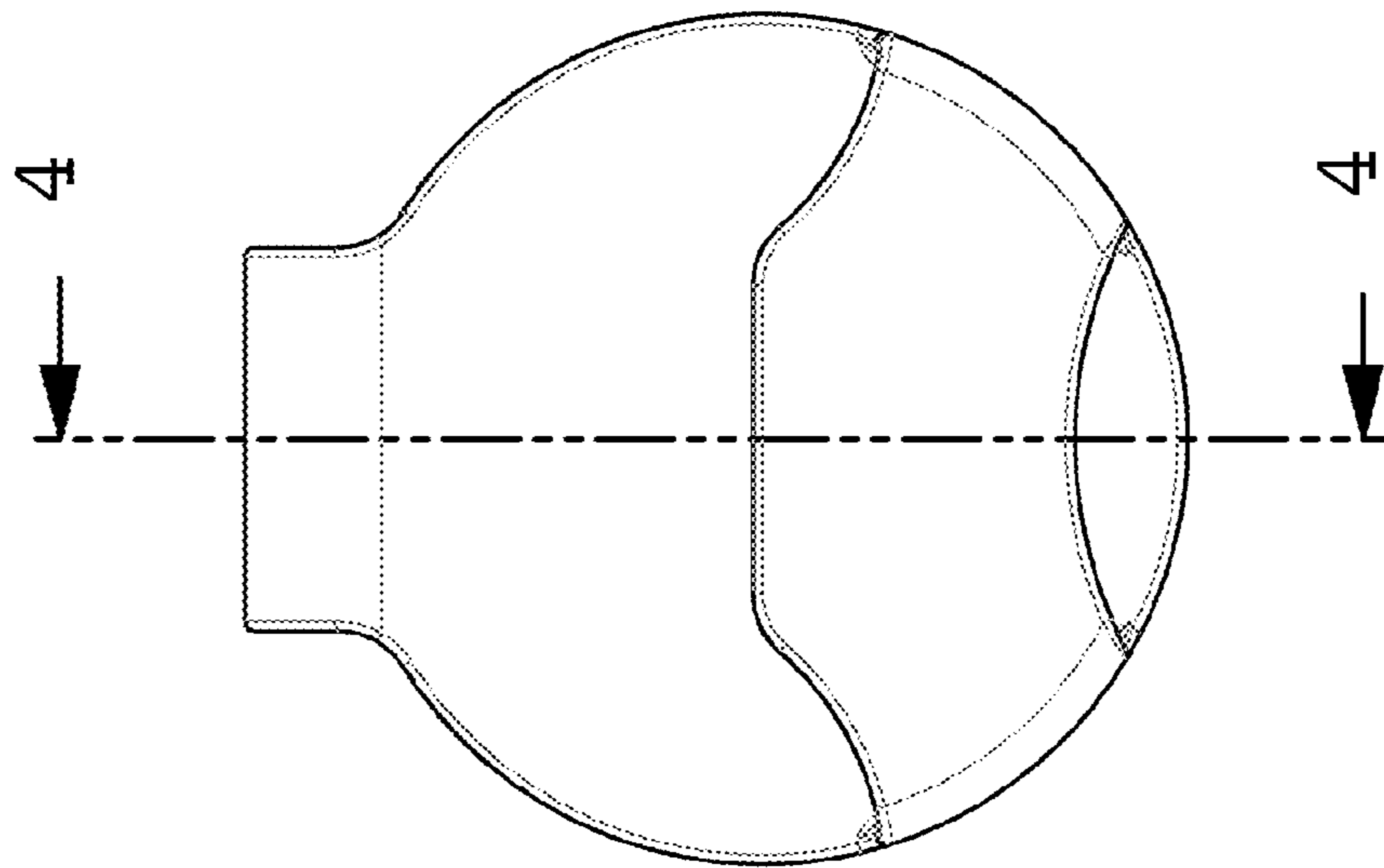


FIG. 3

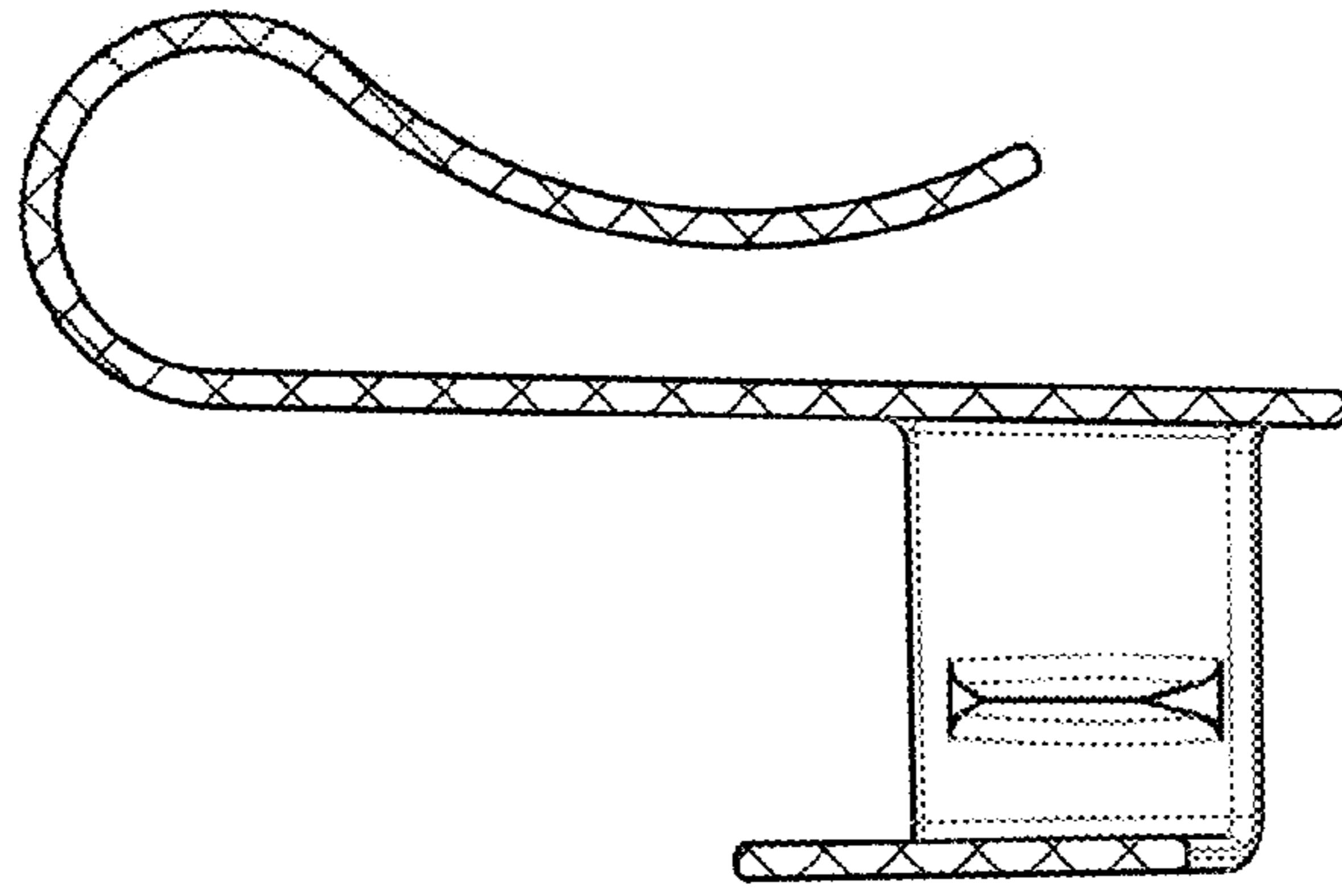


FIG. 4

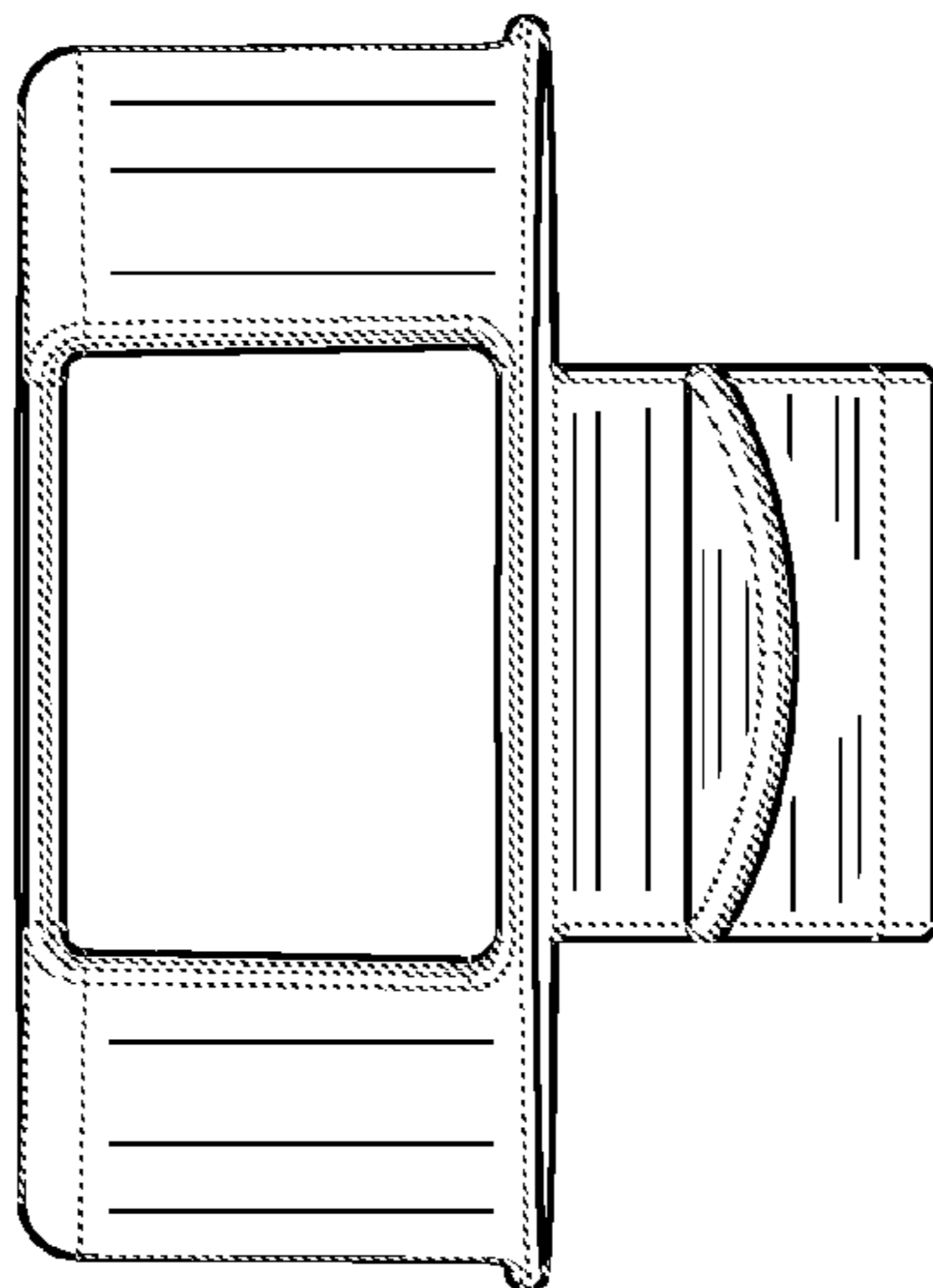


FIG. 6

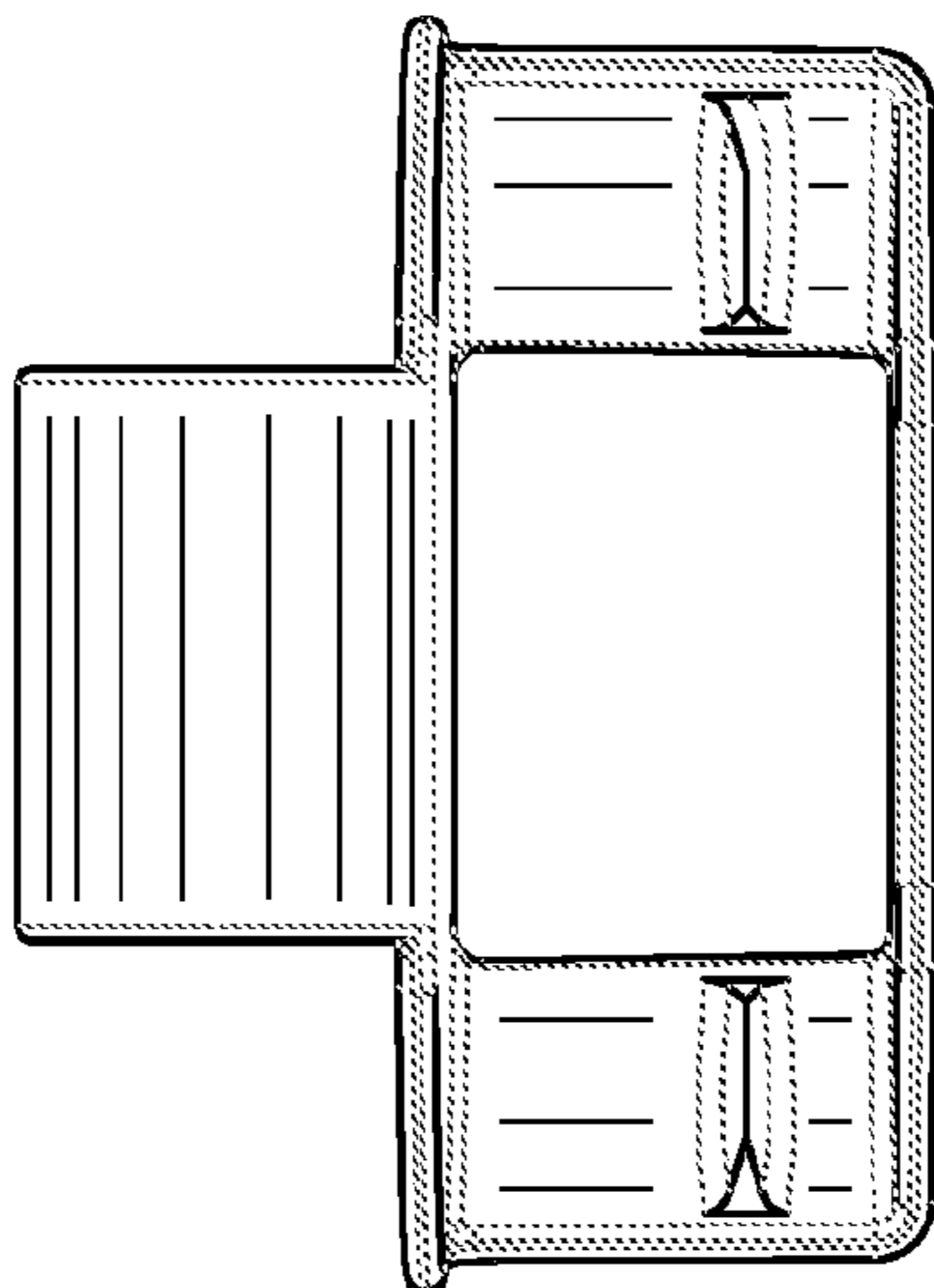


FIG. 5

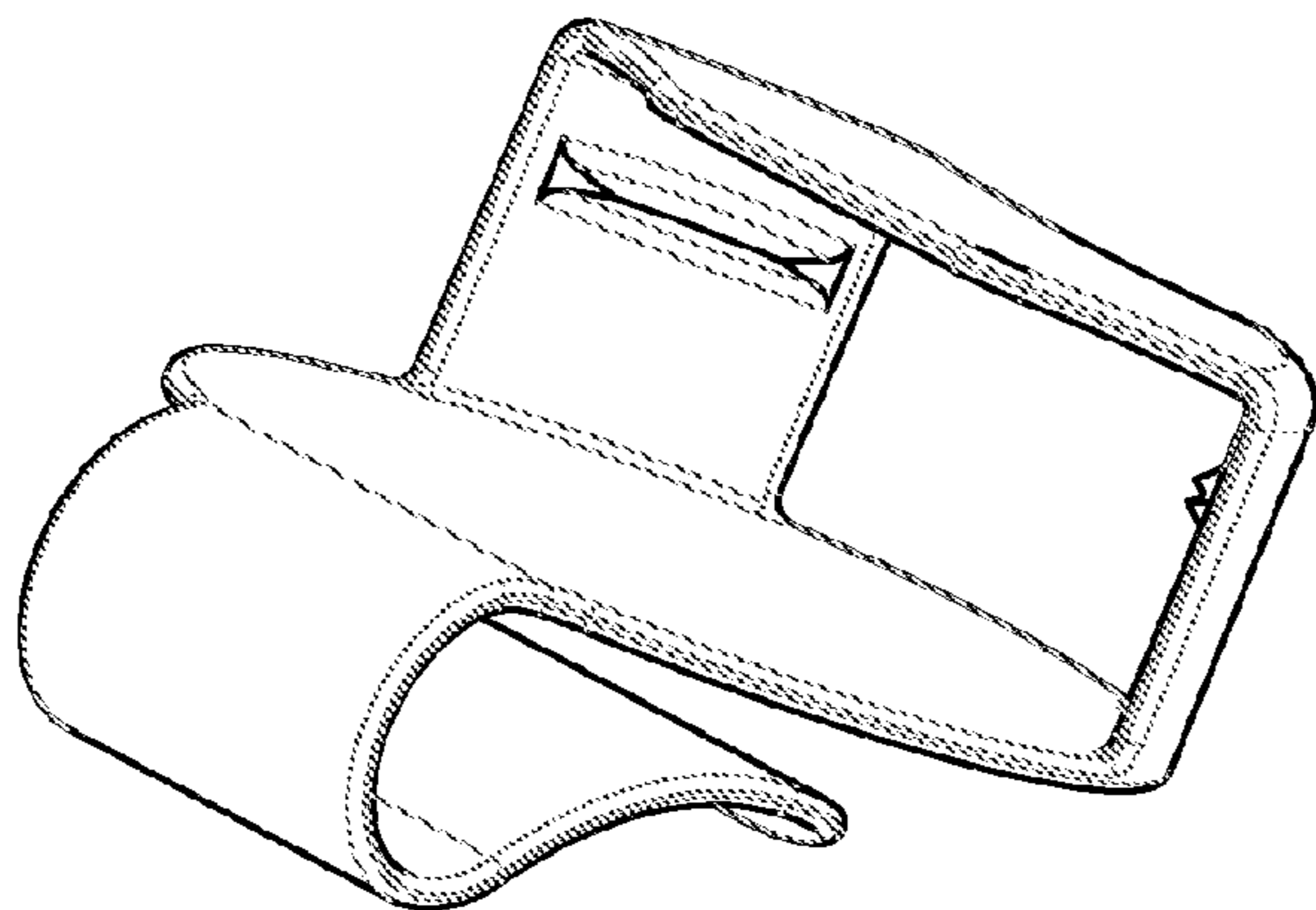


FIG. 8

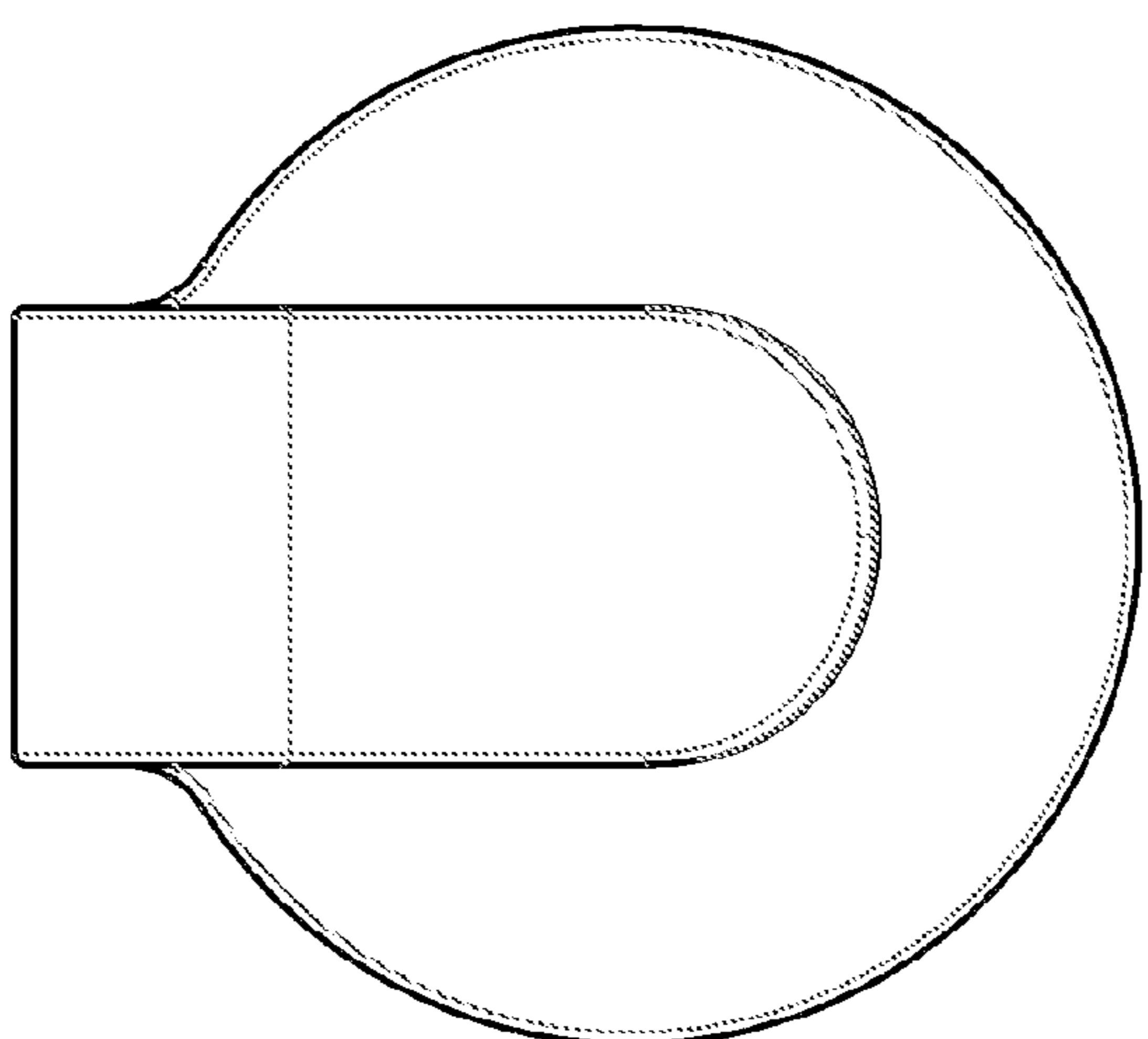


FIG. 7

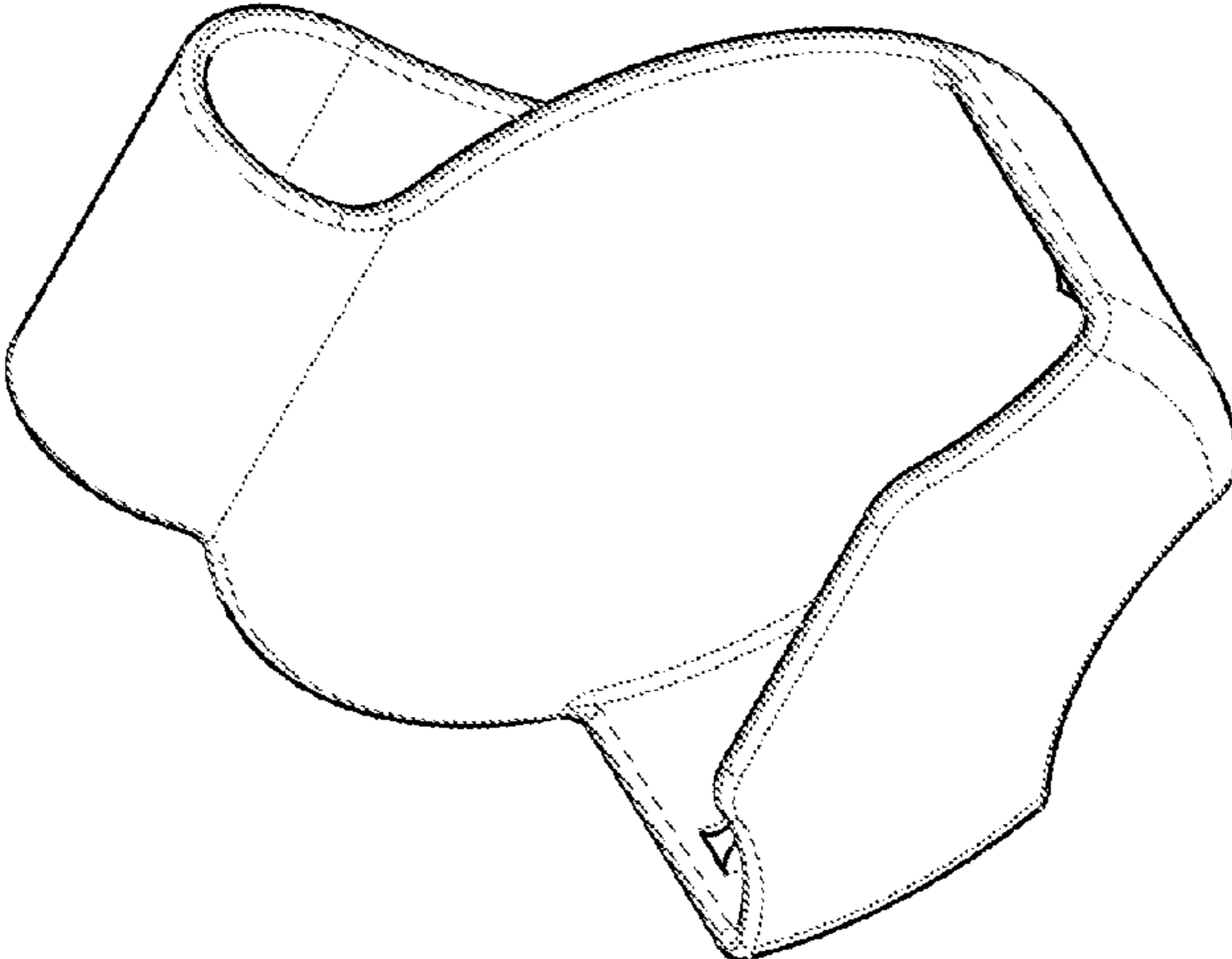


FIG. 10

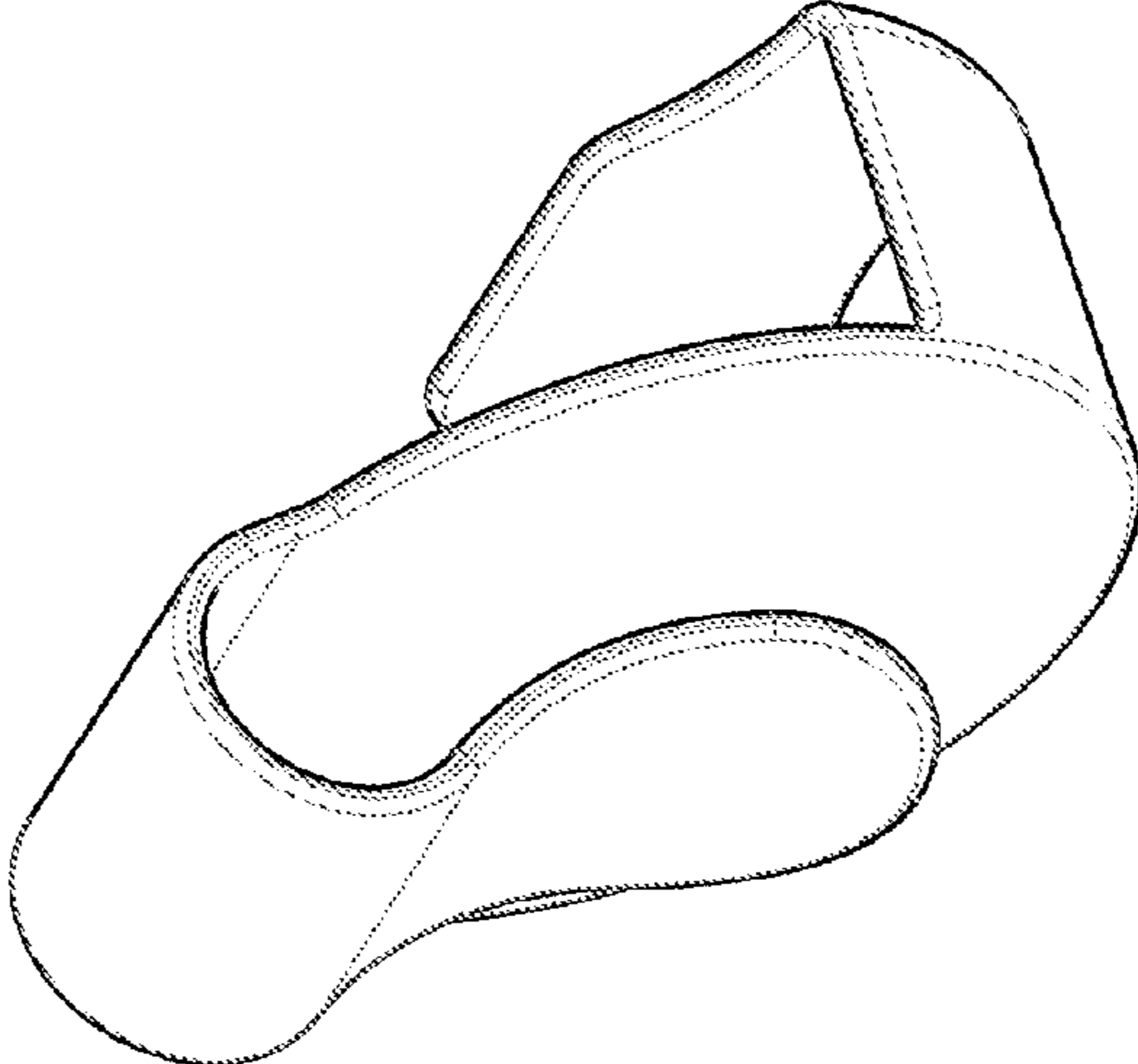


FIG. 9