



US00D751809S

(12) **United States Design Patent**
Niskey, Jr. et al.

(10) **Patent No.:** **US D751,809 S**
(45) **Date of Patent:** **** Mar. 22, 2016**

(54) **NESTING MEDICATION CONTAINER WITH
FIXED CAP**

8,874,260 B2 * 10/2014 Saltsov A61J 7/0076
700/236

(71) Applicants: **Charles Jeffrey Niskey, Jr.**, San Diego,
CA (US); **Adam Jason Strichman**,
Mechanicsville, VA (US)

* cited by examiner

Primary Examiner — Catheri Oliver-Garcia

(74) *Attorney, Agent, or Firm* — Allen IP Law PLC; Leslie
C. Allen, Esq.

(72) Inventors: **Charles Jeffrey Niskey, Jr.**, San Diego,
CA (US); **Adam Jason Strichman**,
Mechanicsville, VA (US)

(57) **CLAIM**

The ornamental design for a nesting medication container
with fixed cap, as shown.

DESCRIPTION

(**) Term: **14 Years**

(21) Appl. No.: **29/496,713**

(22) Filed: **Jul. 16, 2014**

(51) **LOC (10) Cl.** **03-01**

(52) **U.S. Cl.**
USPC **D3/203.2**

(58) **Field of Classification Search**
USPC D3/203.1, 203.2, 272–273, 294;
D9/420–421; D19/75; 221/123, 127,
221/194, 197, 274; 700/240, 242–243, 236;
D24/185

See application file for complete search history.

(56) **References Cited**

U.S. PATENT DOCUMENTS

D208,273 S *	8/1967	Bundy	D3/203.2
D312,839 S *	12/1990	Nemeth	D19/75
D344,406 S *	2/1994	Nemeth	D19/75
D356,904 S *	4/1995	Wolff	D24/185
D441,530 S *	5/2001	Elmore	D3/273
D657,953 S *	4/2012	Hasegawa	D3/294
8,175,746 B2 *	5/2012	Godlewski	A61J 7/0069 700/236
D676,238 S *	2/2013	Wu	D3/294

FIG. 1 is a top-front perspective view of a nesting medication container, with a cap in a closed position acting as a base of said container;

FIG. 2 is a top-rear perspective view thereof, with said cap in a closed position;

FIG. 3 is a left-side elevational view of said container;

FIG. 4 is a front elevational view thereof;

FIG. 5 is a top plan view thereof;

FIG. 6 is a sectional view of SECTION 6-6 of FIG. 4, showing a longitudinal cut from front to back of said container;

FIG. 7 is a right-side elevational view of said container;

FIG. 8 is a rear elevational view thereof;

FIG. 9 is a bottom plan view thereof;

FIG. 10 is a sectional view of SECTION 10-10 of FIG. 7, showing a transverse cut from left to right of said container;

FIG. 11 is a bottom perspective view of said container, with said cap in a closed position;

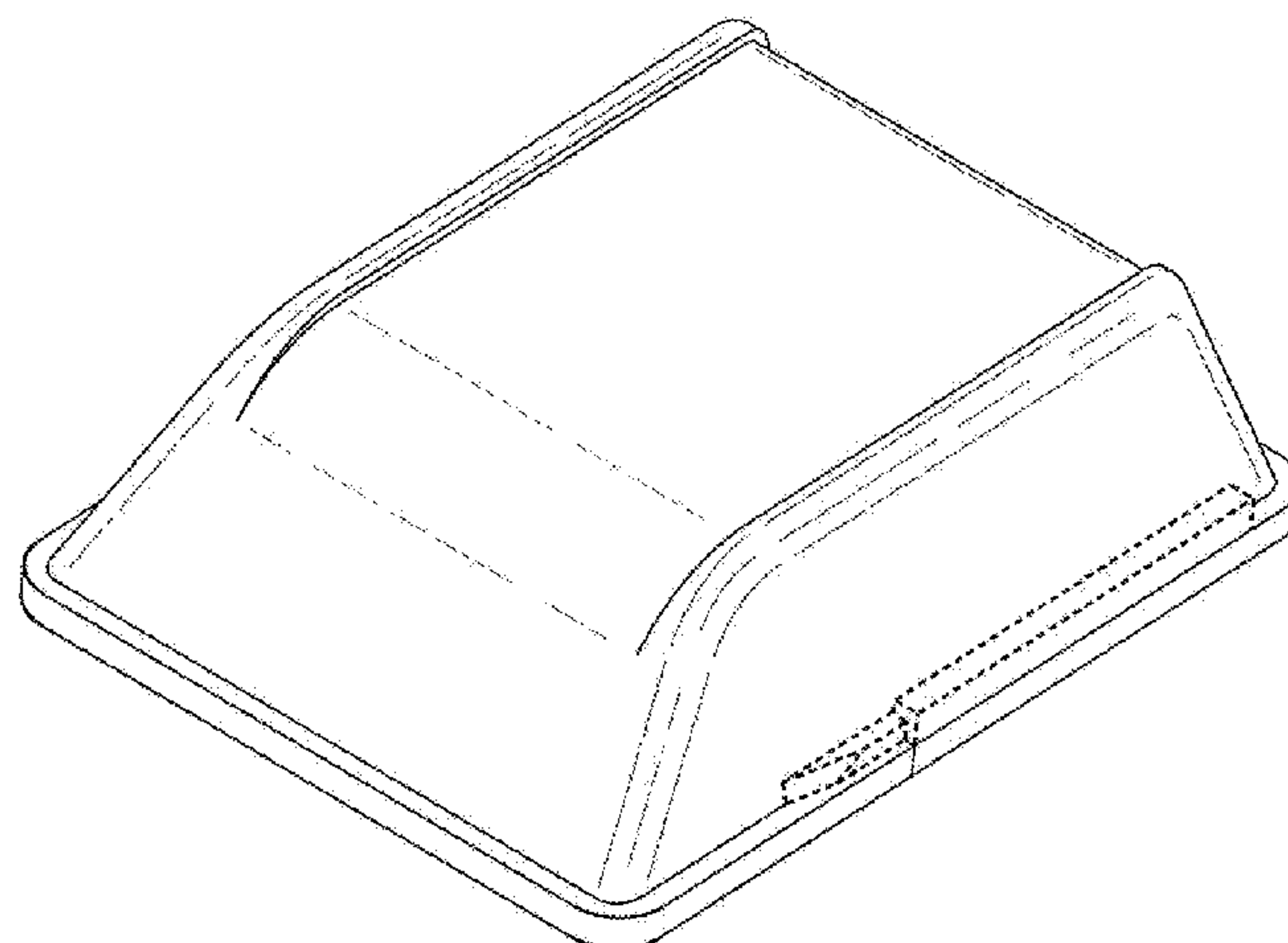
FIG. 12 is a bottom perspective view of said container, with said cap in an open position;

FIG. 13 is a front elevational view of said medication container; and,

FIG. 14 is a sectional view, showing a side view SECTION 14-14 of FIG. 13, with said cap in a closed position.

The parts represented by broken lines on the design drawings are not part of the claimed design, and thus are for illustrative purposes only.

1 Claim, 6 Drawing Sheets



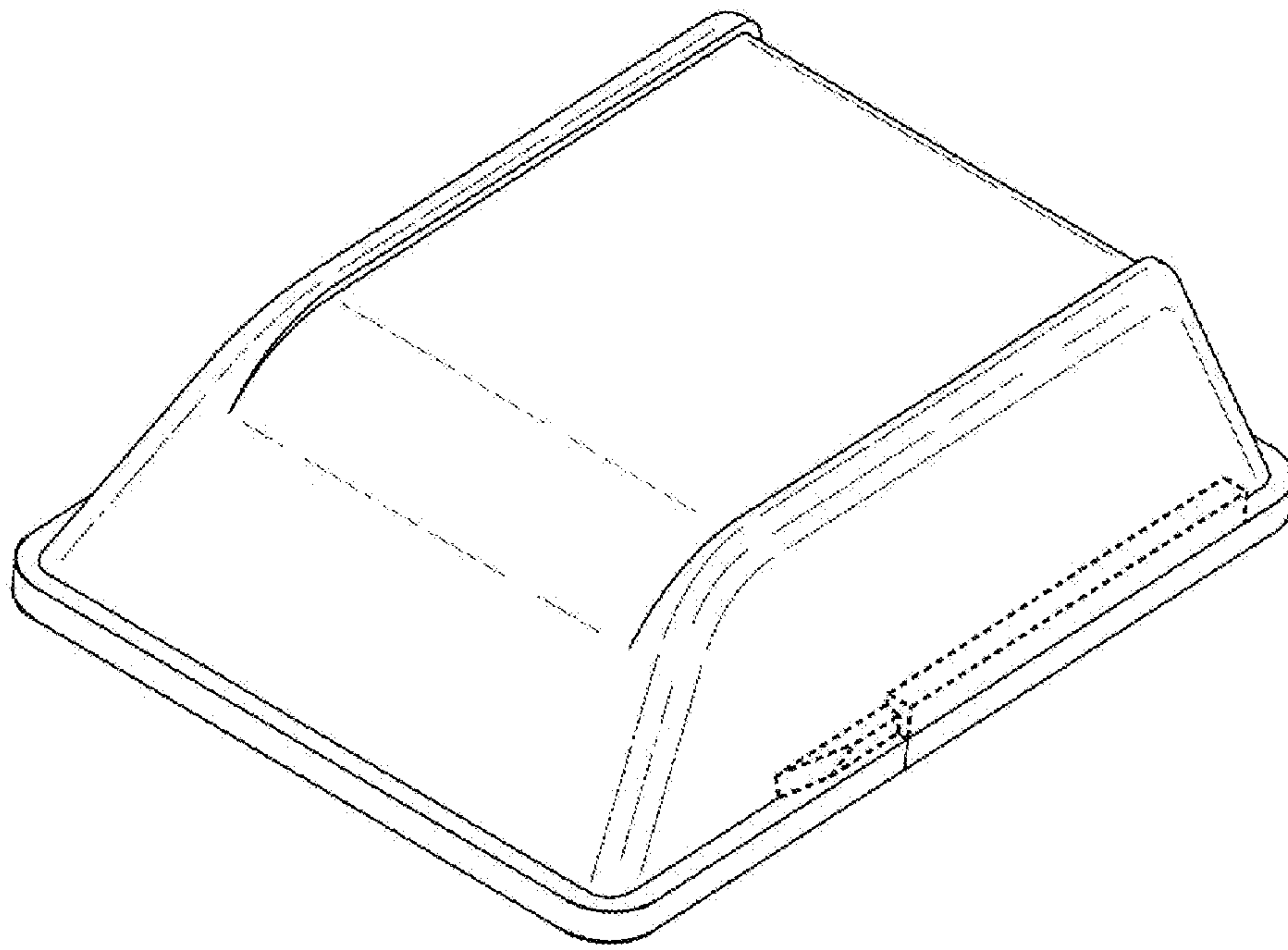


FIG. 1

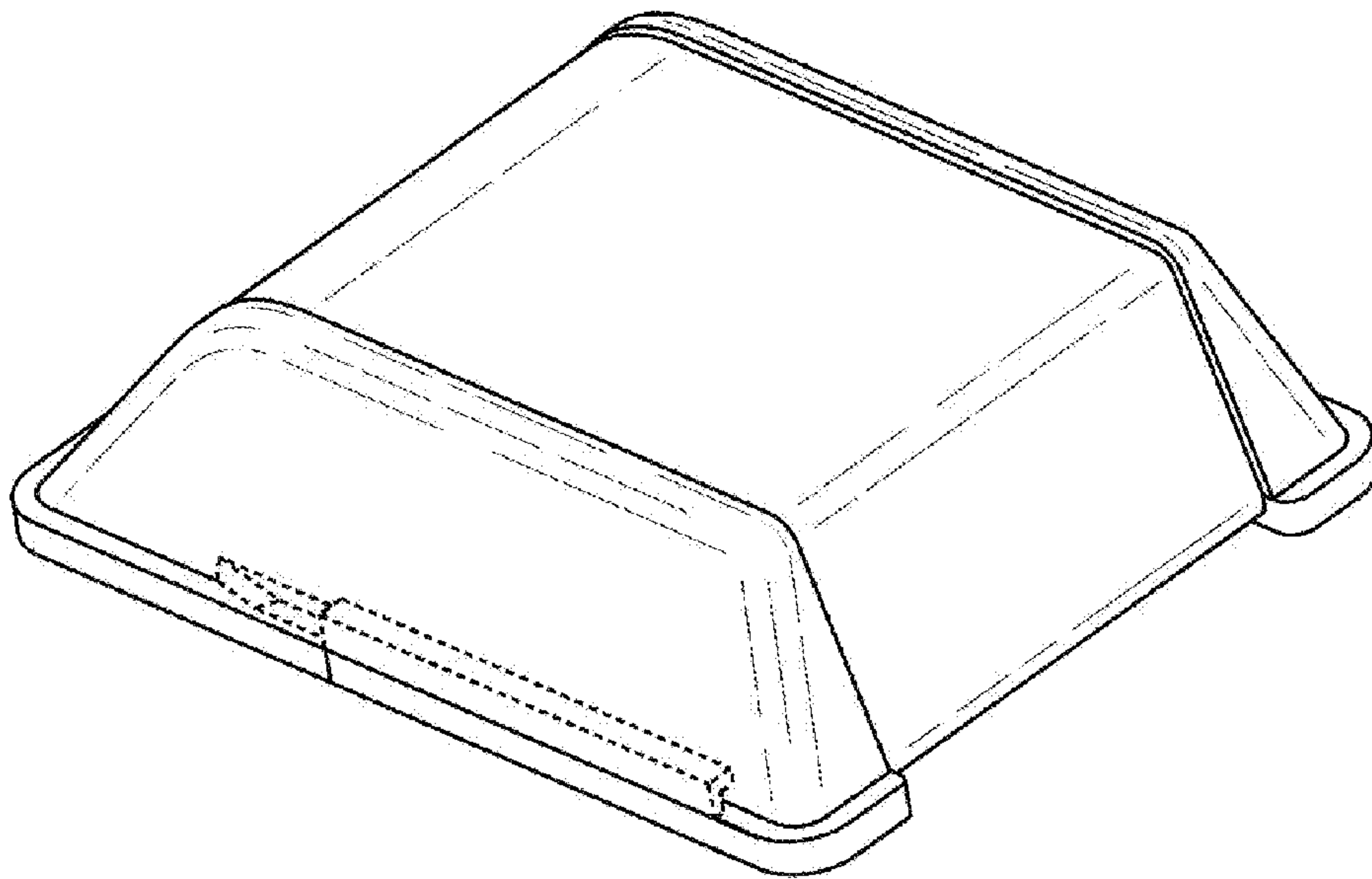


FIG. 2

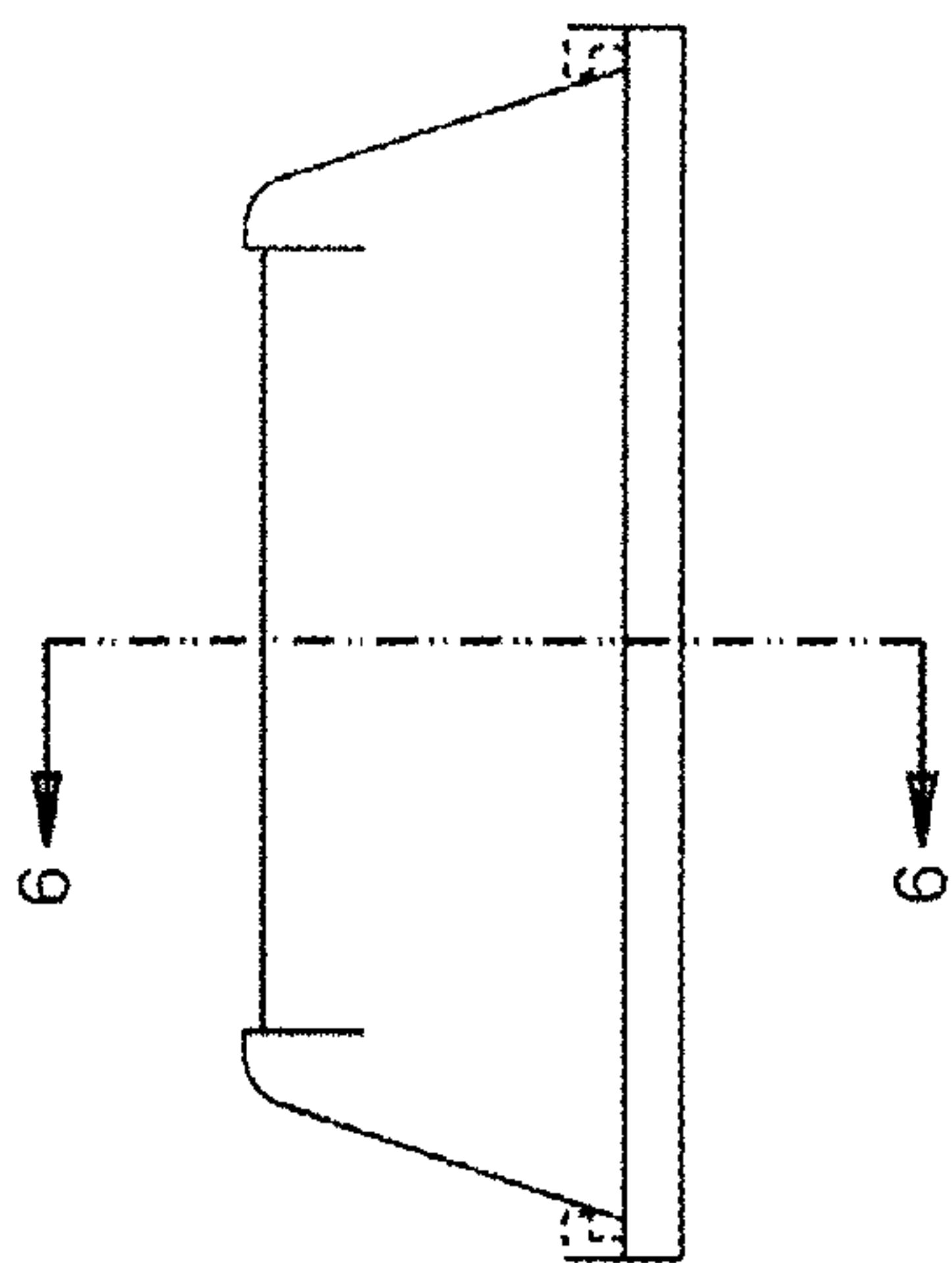


FIG. 4

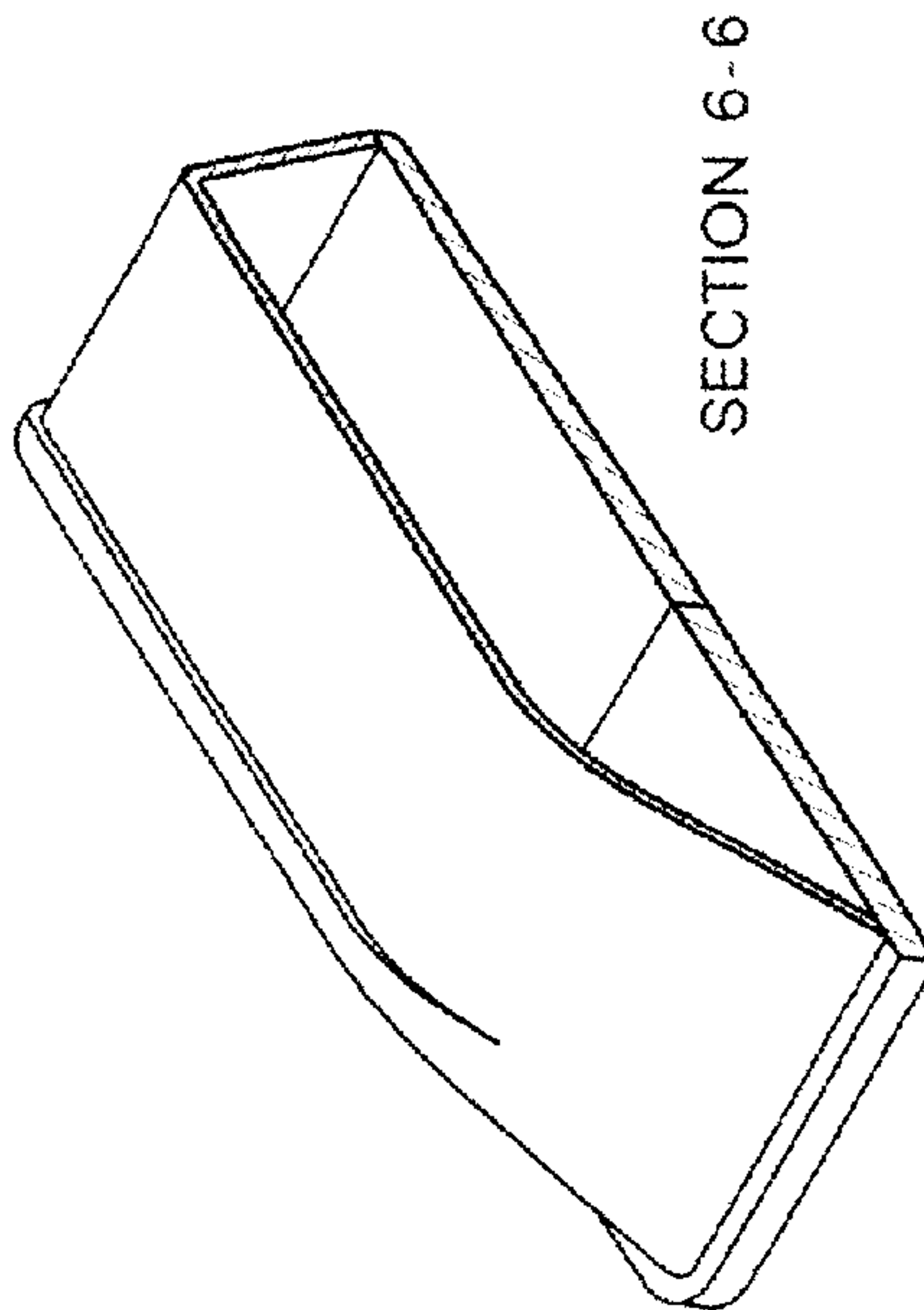


FIG. 6

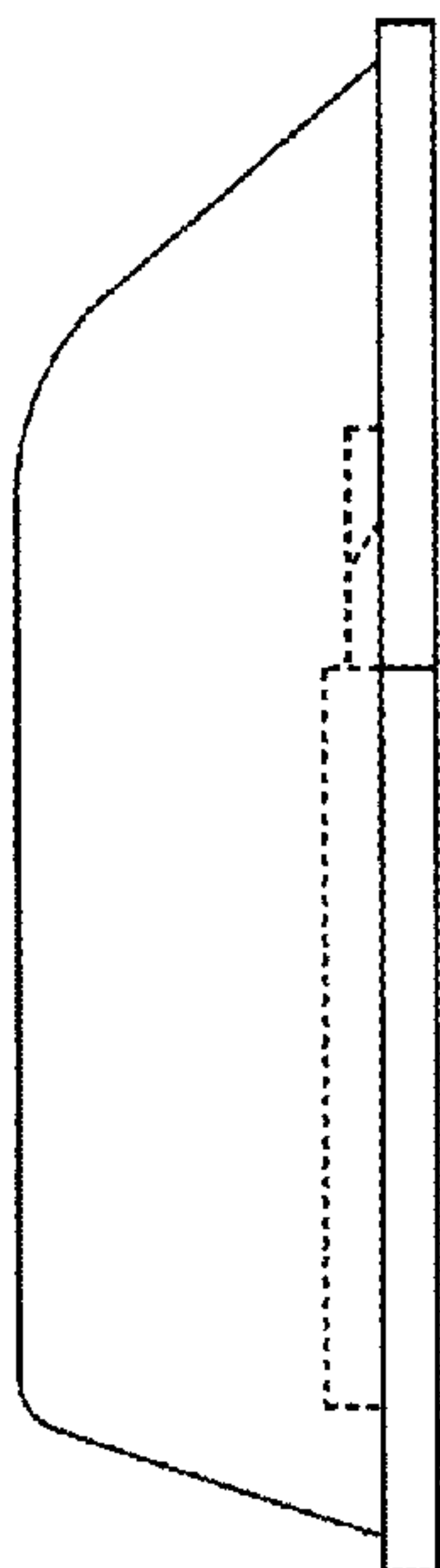


FIG. 3

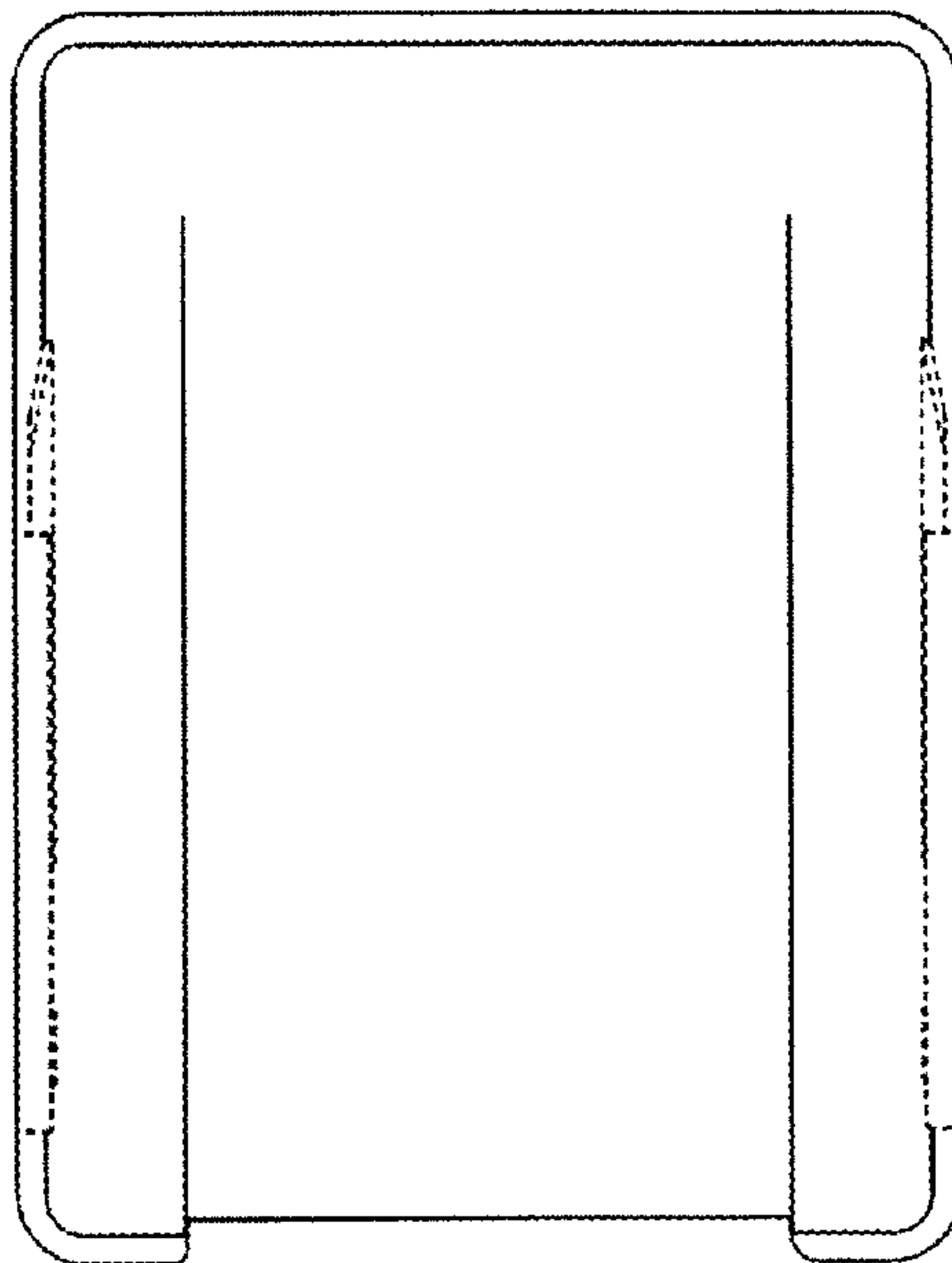


FIG. 5

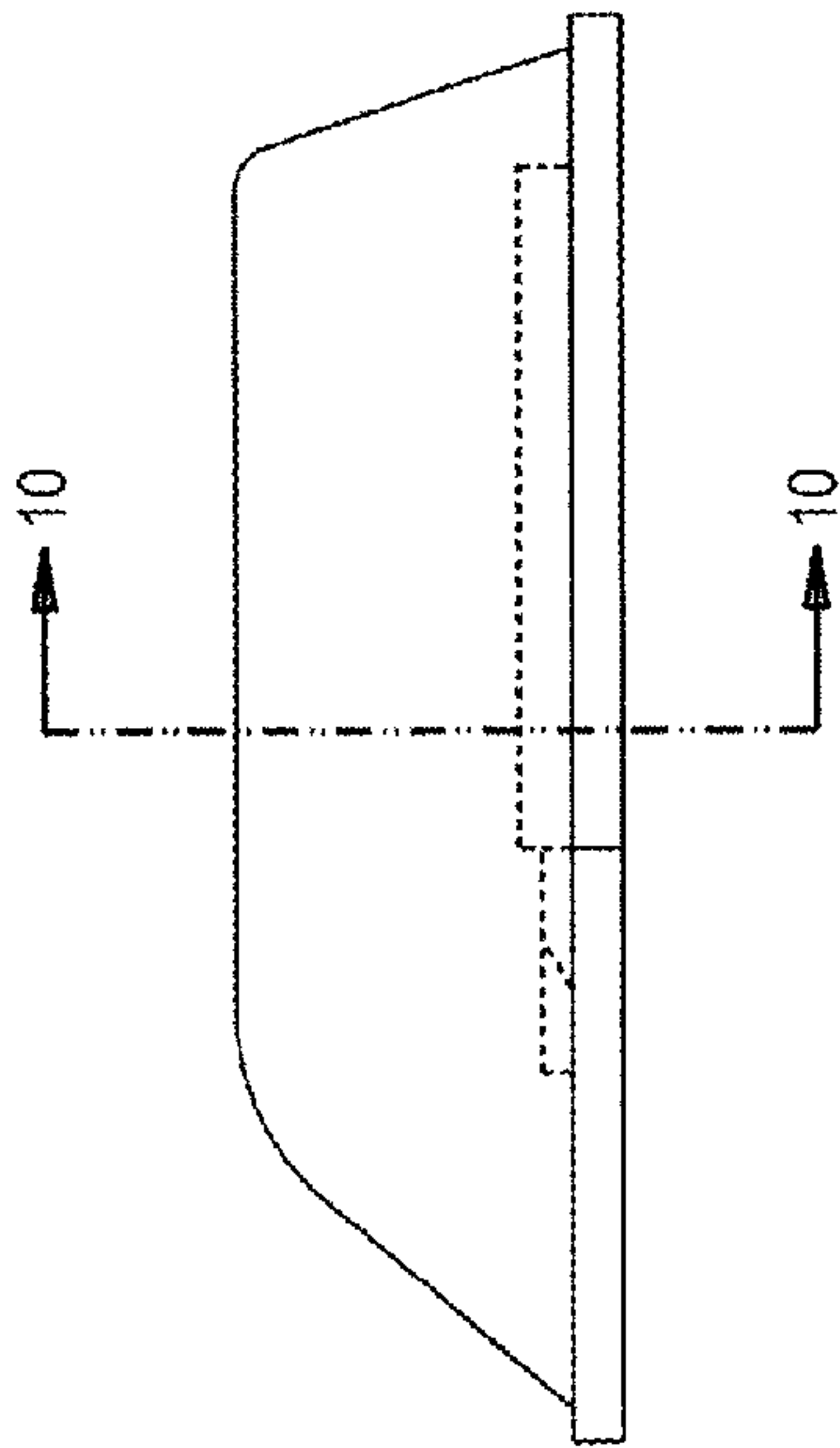


FIG. 7

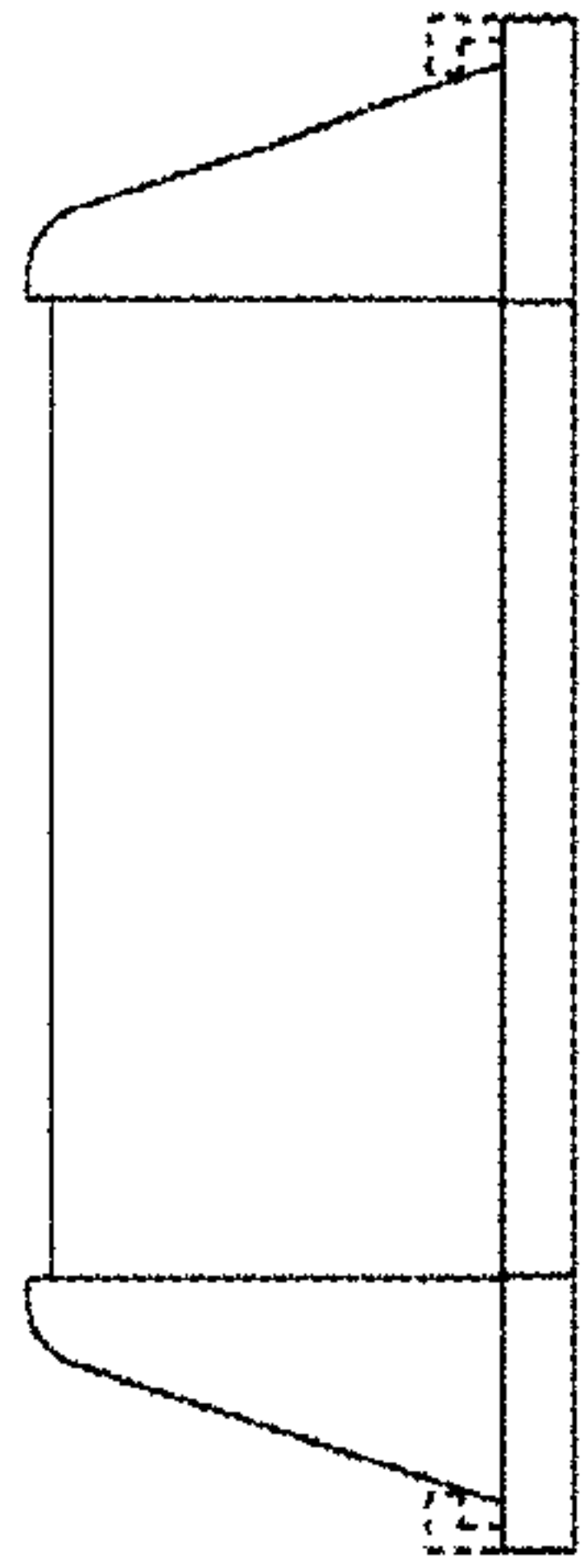


FIG. 8

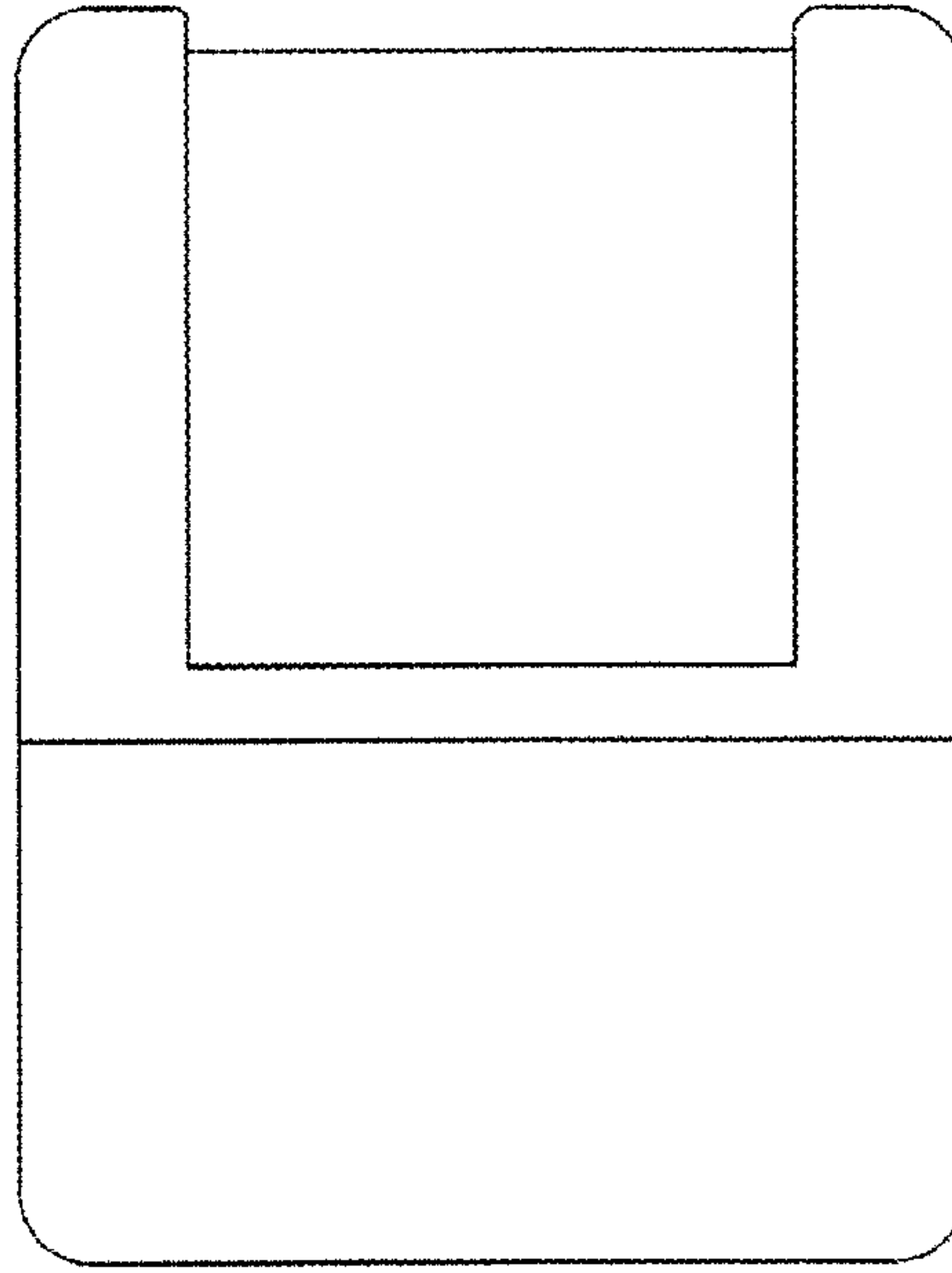


FIG. 9

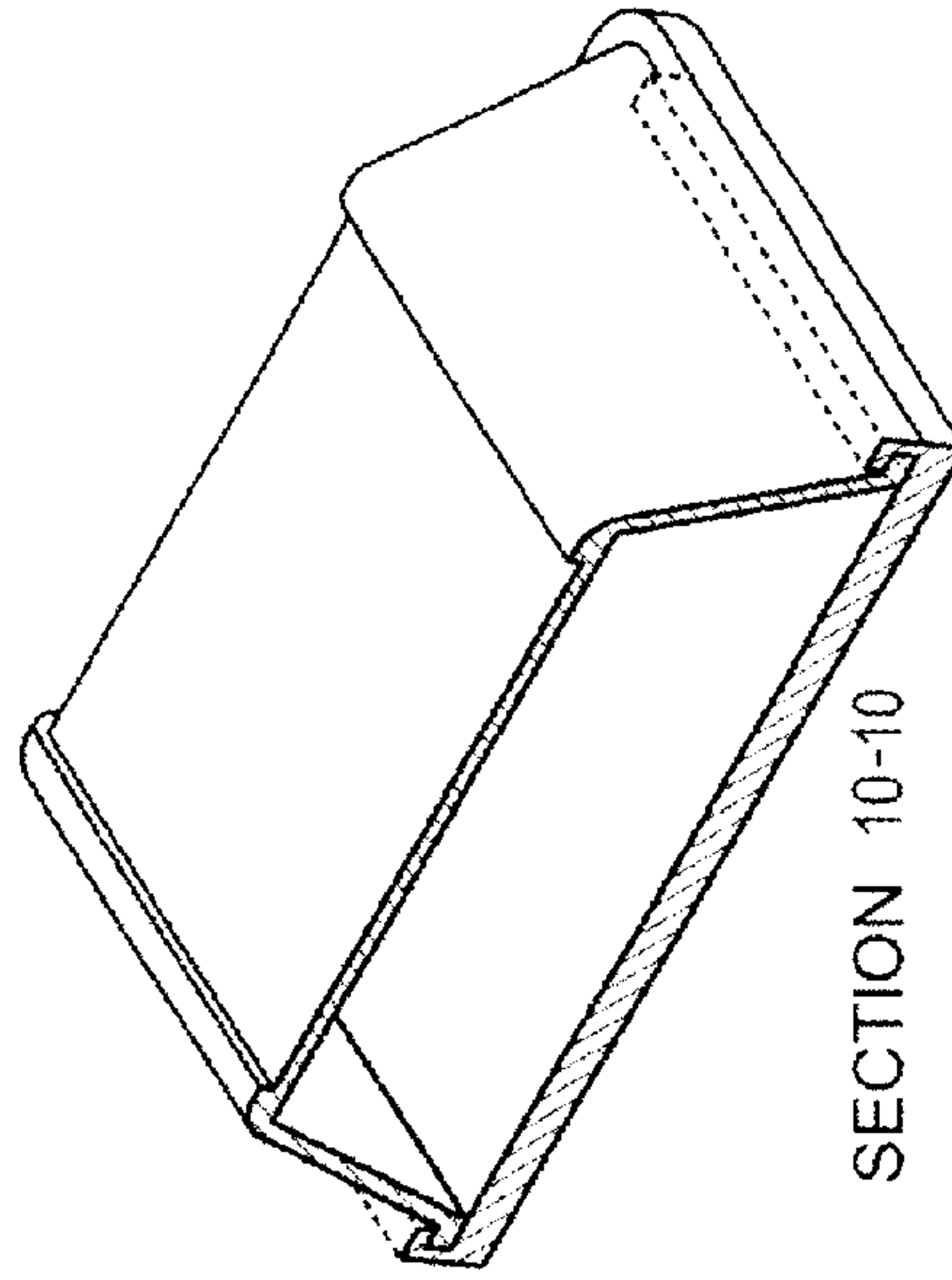


FIG. 10

SECTION 10-10

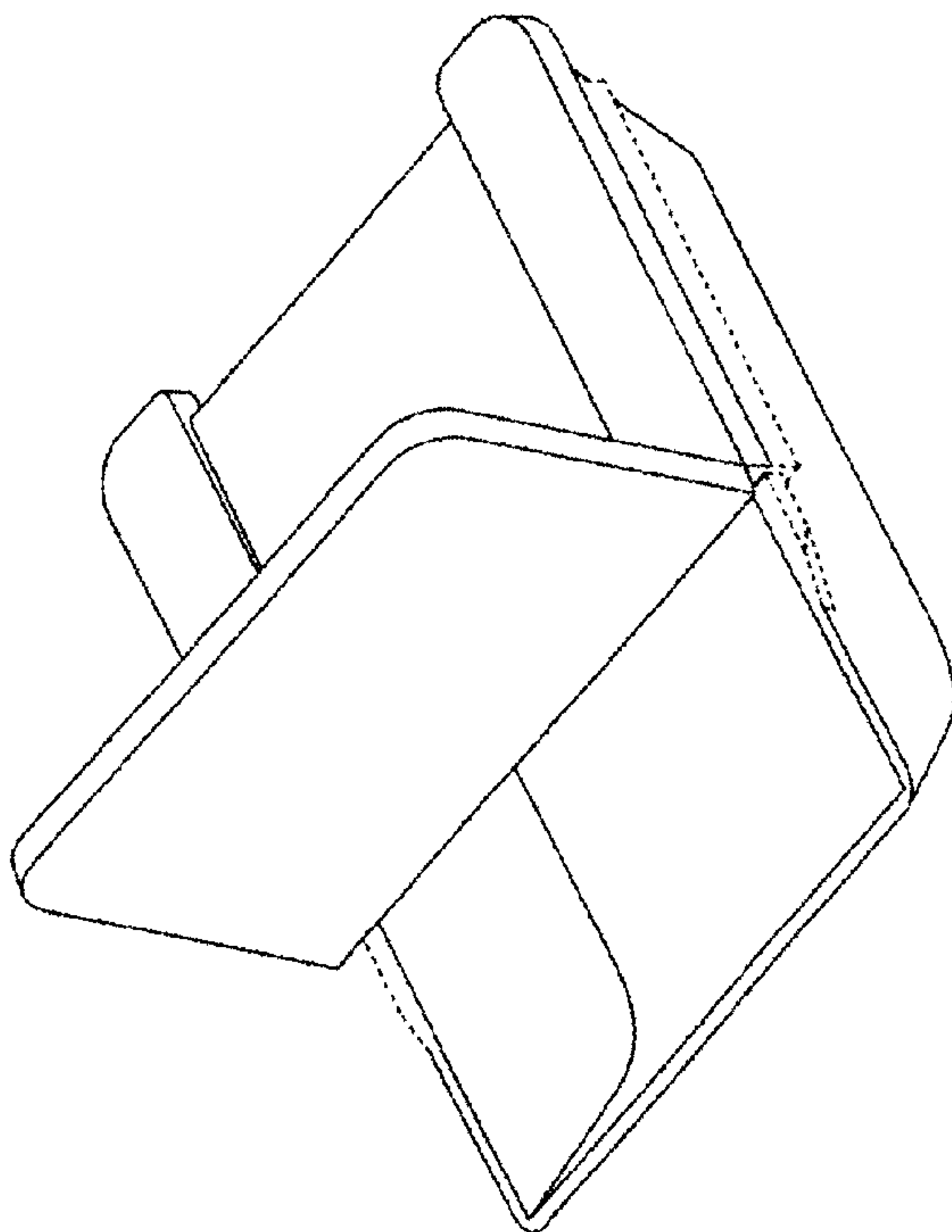


FIG. 11

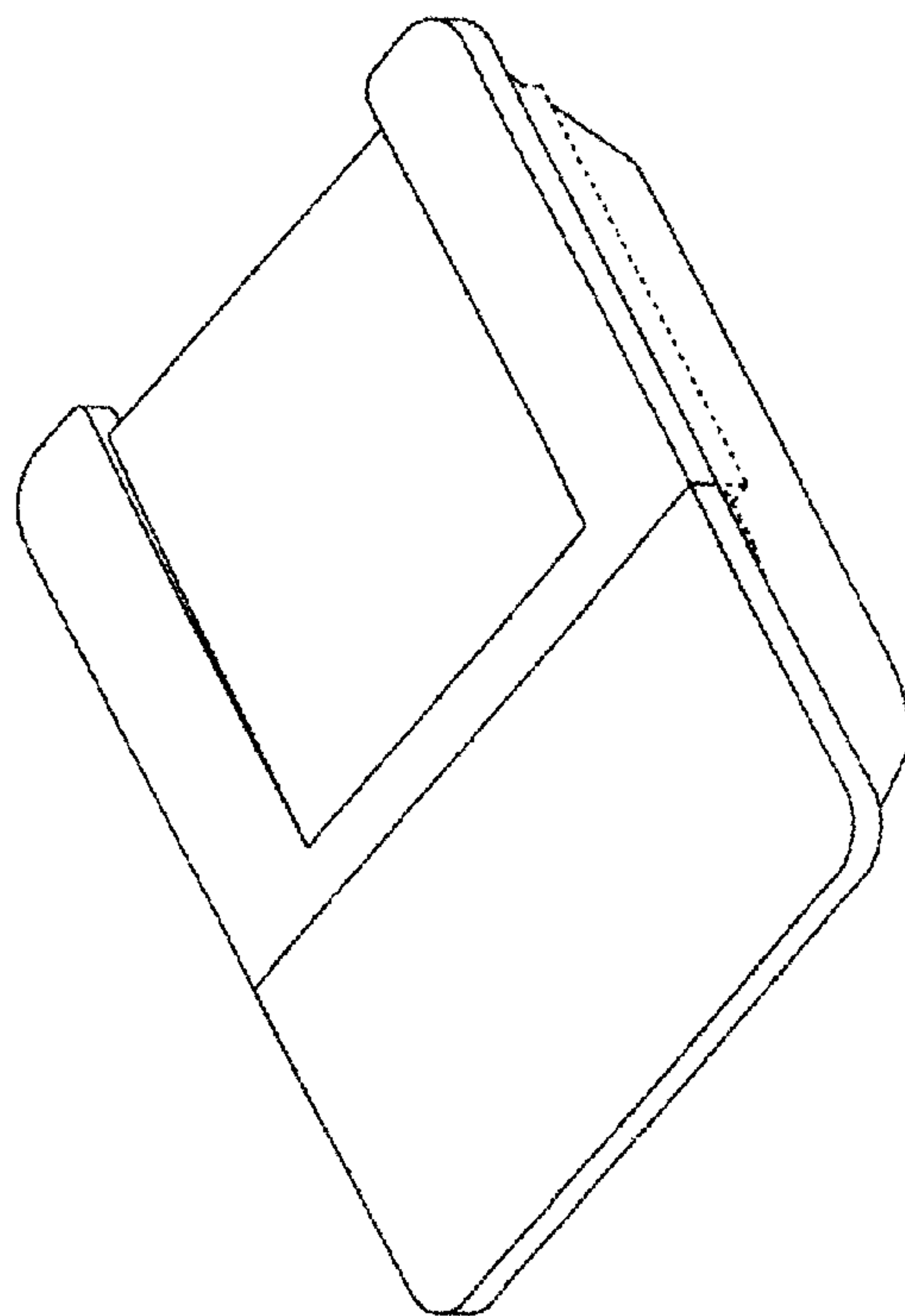


FIG. 12

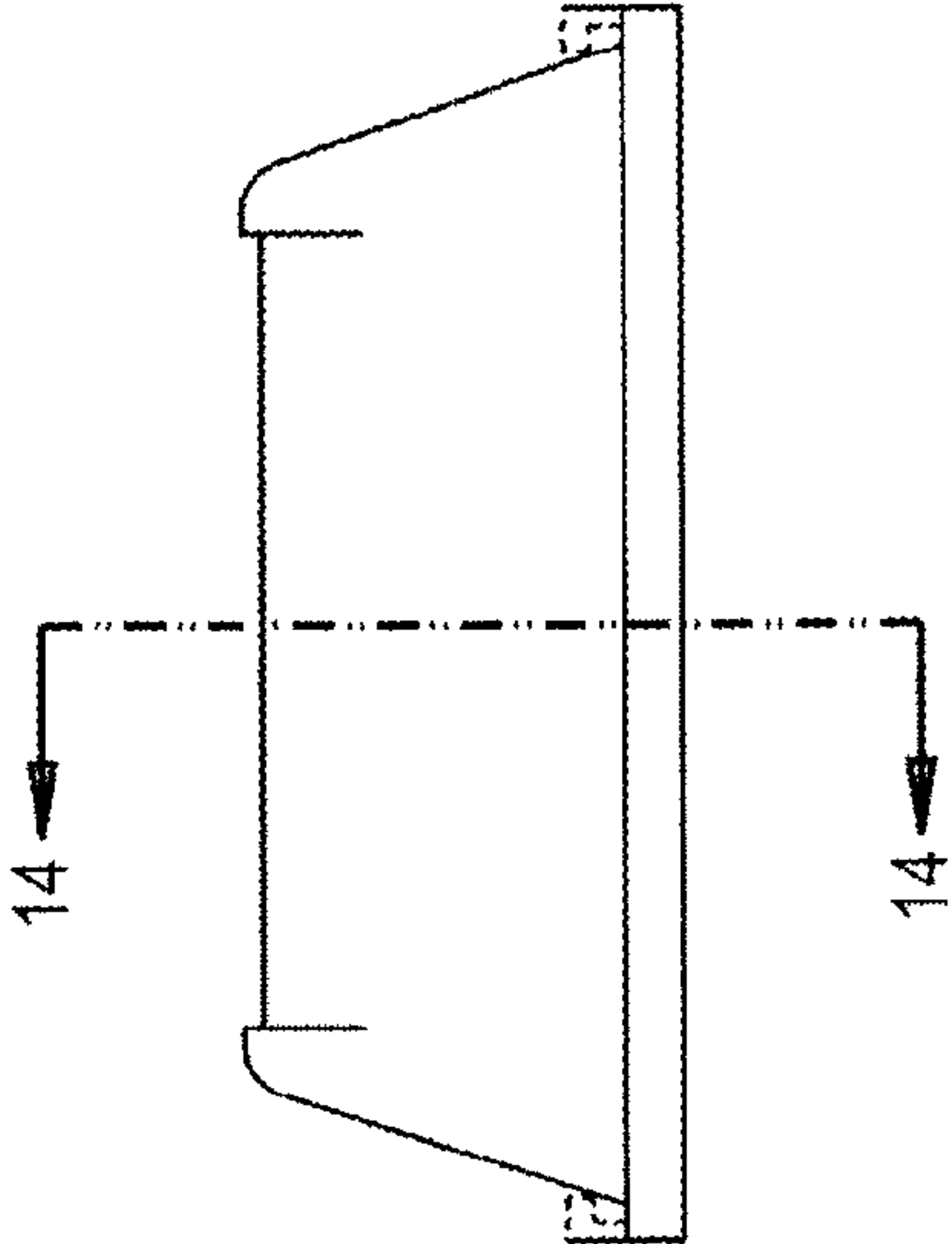
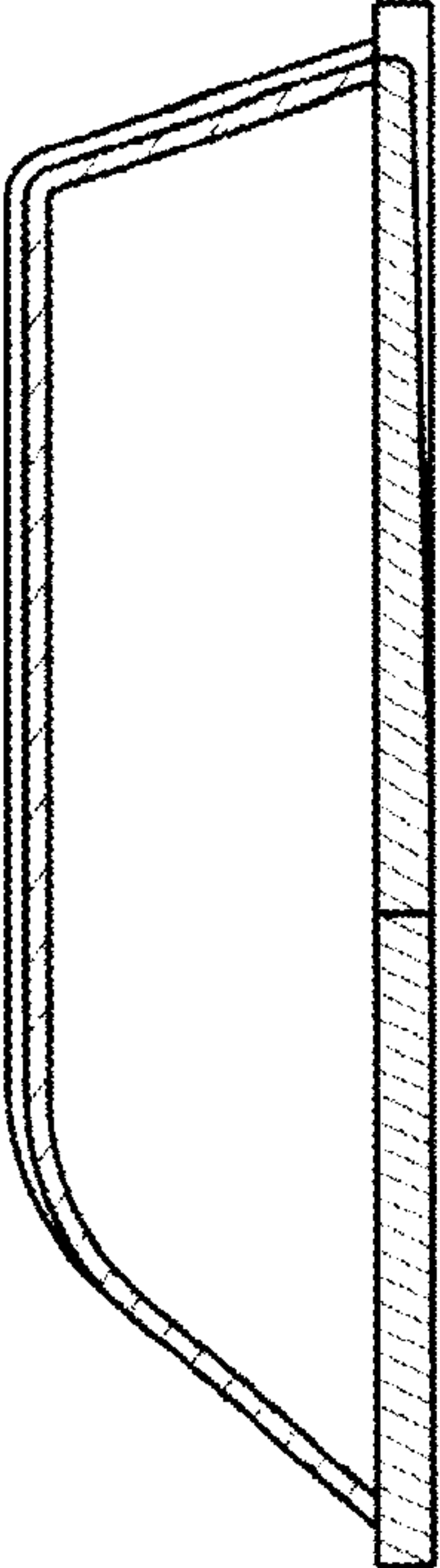


FIG. 13



SECTION 14-14

FIG. 14