



US00D751807S

(12) **United States Design Patent**
Rothbucher

(10) **Patent No.:** **US D751,807 S**
(45) **Date of Patent:** **** Mar. 22, 2016**

(54) **UMBRELLA HANDLE**

(71) Applicant: **doppler E. Doppler & Co. GmbH**,
Braunau (AT)

(72) Inventor: **Bernhard Rothbucher**, Salzburg (AT)

(73) Assignee: **doppler E. Doppler & Co. GmbH**,
Braunau (AT)

(**) Term: **14 Years**

(21) Appl. No.: **29/509,615**

(22) Filed: **Nov. 19, 2014**

(30) **Foreign Application Priority Data**

May 20, 2014 (EM) 002467712-0001

(51) **LOC (10) Cl.** **03-03**

(52) **U.S. Cl.**
USPC **D3/12**

(58) **Field of Classification Search**
USPC D3/5, 6, 10, 11, 12, 14, 16; D8/107,
D8/300, 315; D23/259, 262, 263, 266
CPC A45B 25/02; A45B 25/143; A45B 19/04;
A45B 25/24; A45B 9/02; B25B 7/00; B25G
1/105; B25G 1/102; F16L 41/021; E05B
1/0015
See application file for complete search history.

(56) **References Cited**

U.S. PATENT DOCUMENTS

1,941,465 A * 1/1934 Cornell, Jr. F16L 41/084
285/133.11

3,970,251 A * 7/1976 Harmony A01G 25/023
138/46

4,077,570 A * 3/1978 Harmony B05B 1/323
138/46

D316,630 S * 5/1991 Cain D3/12

D316,777 S * 5/1991 Cain D3/12

D321,428 S * 11/1991 Cain D3/12

D321,780 S * 11/1991 Cain D3/12

D321,781 S * 11/1991 Cain D3/12

D321,782 S * 11/1991 Cain D3/12

5,149,144 A * 9/1992 Blakeley A62C 35/68
285/197

5,186,197 A * 2/1993 Lavine A45B 9/02
135/25.1

D342,827 S * 1/1994 Wurflingsdobler, Jr. D3/6

5,406,871 A * 4/1995 Lambert, Jr. B29C 61/065
138/103

5,839,647 A * 11/1998 Orne B23K 37/053
228/212

D433,794 S * 11/2000 San D3/12

D480,453 S * 10/2003 Filer D23/262

D485,056 S * 1/2004 Headley D3/12

D551,845 S * 10/2007 Headley D3/12

D552,341 S * 10/2007 Headley D3/12

D580,530 S * 11/2008 McAlpine D23/268

D589,247 S * 3/2009 Headley D3/12

D648,933 S * 11/2011 Roher D3/12

D659,379 S * 5/2012 Headley D3/12

D670,901 S * 11/2012 Rothbucher D3/10

D677,878 S * 3/2013 Headley D3/12

D692,652 S * 11/2013 Headley D3/12

D713,637 S * 9/2014 Herriger D3/5

D725,897 S * 4/2015 Christie D3/5

D729,510 S * 5/2015 Headley D3/12

(Continued)

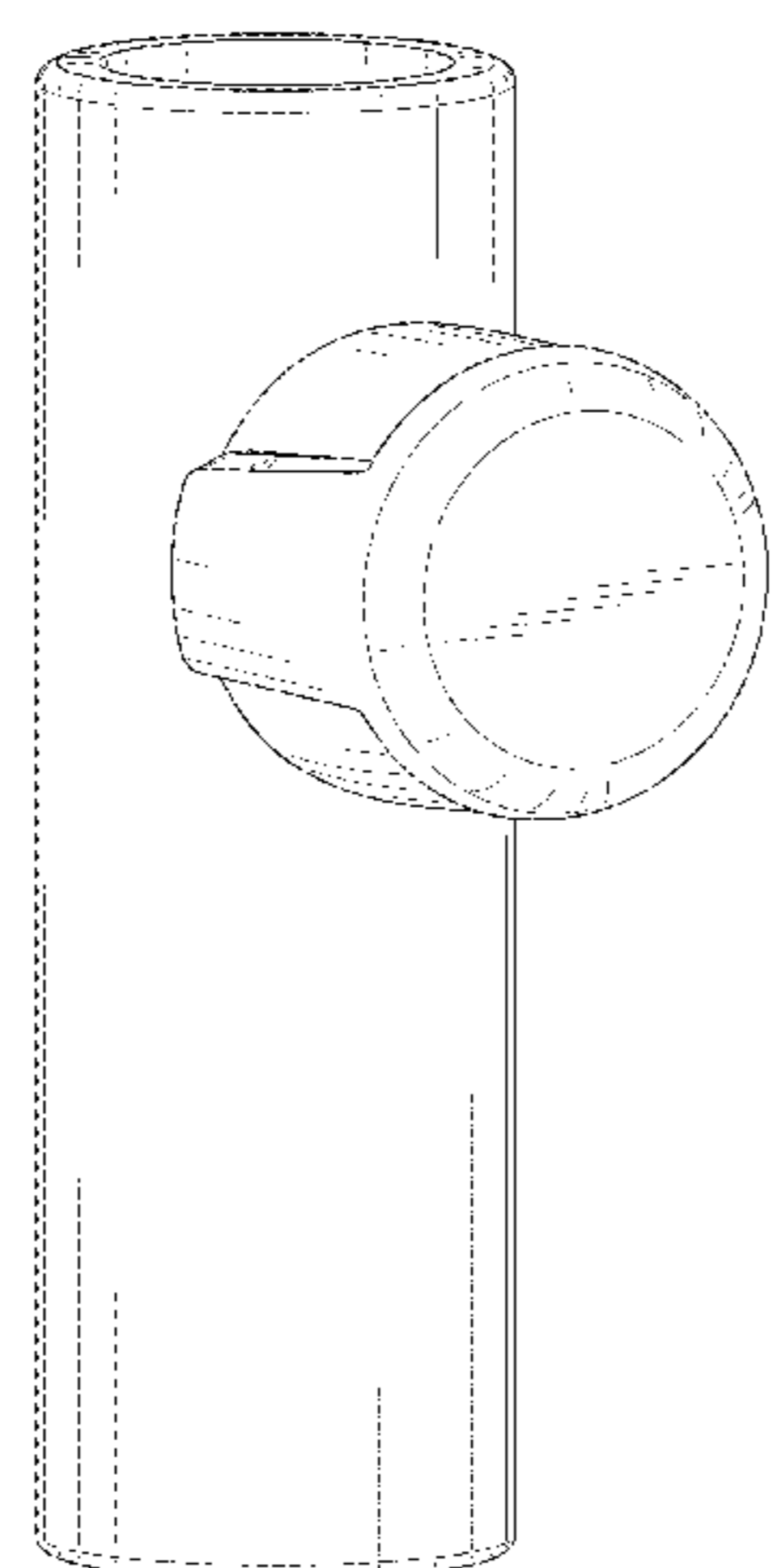
Primary Examiner — John Windmuller
Assistant Examiner — Steven Czyz
(74) *Attorney, Agent, or Firm* — Collard & Roe, P.C.

(57) **CLAIM**
The ornamental design for an umbrella handle, as shown and described.

DESCRIPTION

FIG. 1 is a top, front and left side perspective view of an umbrella handle showing my new design;
FIG. 2 is a front view thereof;
FIG. 3 is a rear view thereof;
FIG. 4 is a right side view thereof;
FIG. 5 is a left side view thereof;
FIG. 6 is a top view thereof; and,
FIG. 7 is a bottom view thereof.

1 Claim, 7 Drawing Sheets



US D751,807 S

Page 2

(56)

References Cited

U.S. PATENT DOCUMENTS

D734,021 S *	7/2015	Kerr	D3/12	2004/0222626 A1*	11/2004	Baruh	F16L 21/02
2003/0034646 A1*	2/2003	Baruh	F16L 25/12					285/15
				285/31	2010/0269871 A1*	10/2010	Ma	A45B 25/08
									135/20.3

* cited by examiner

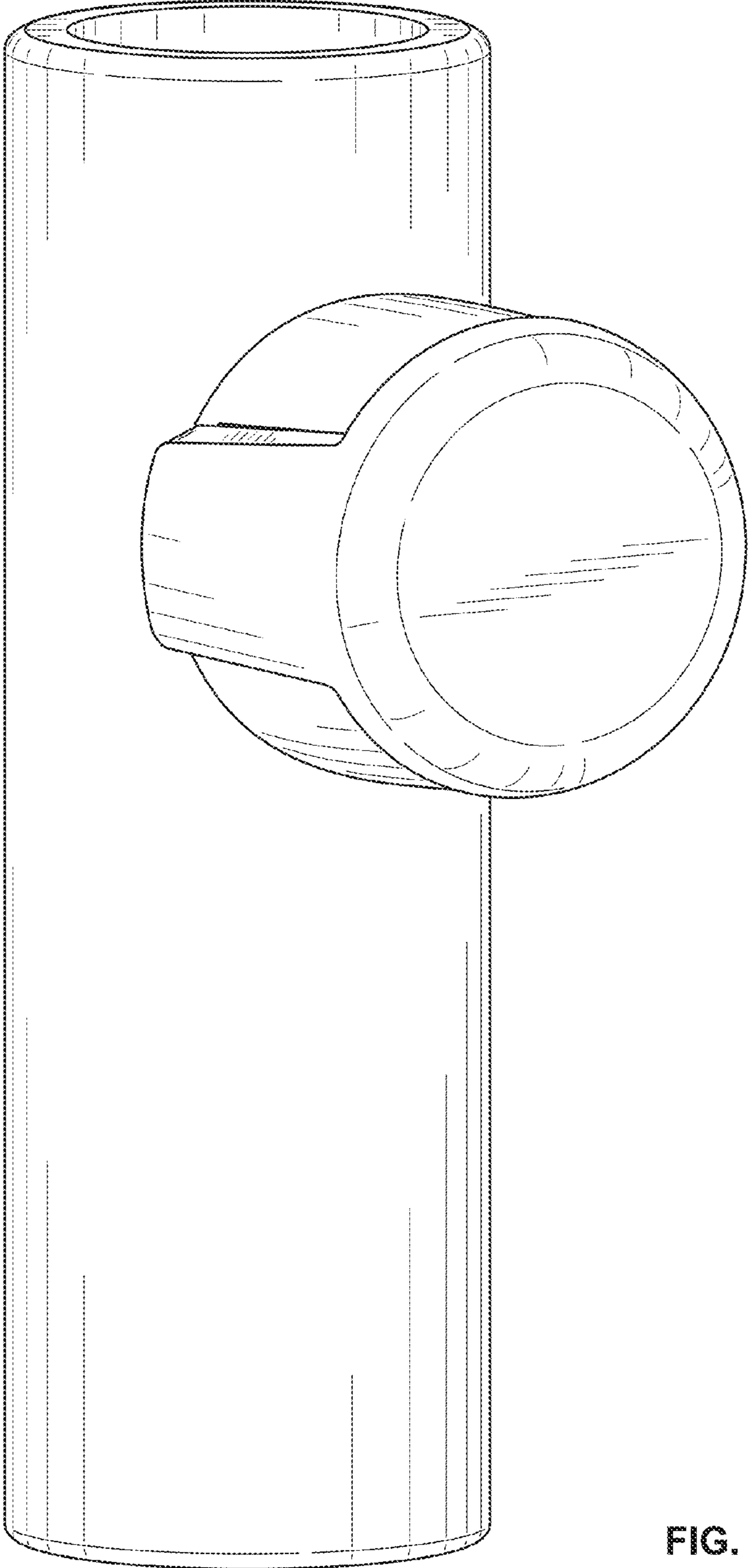


FIG. 1

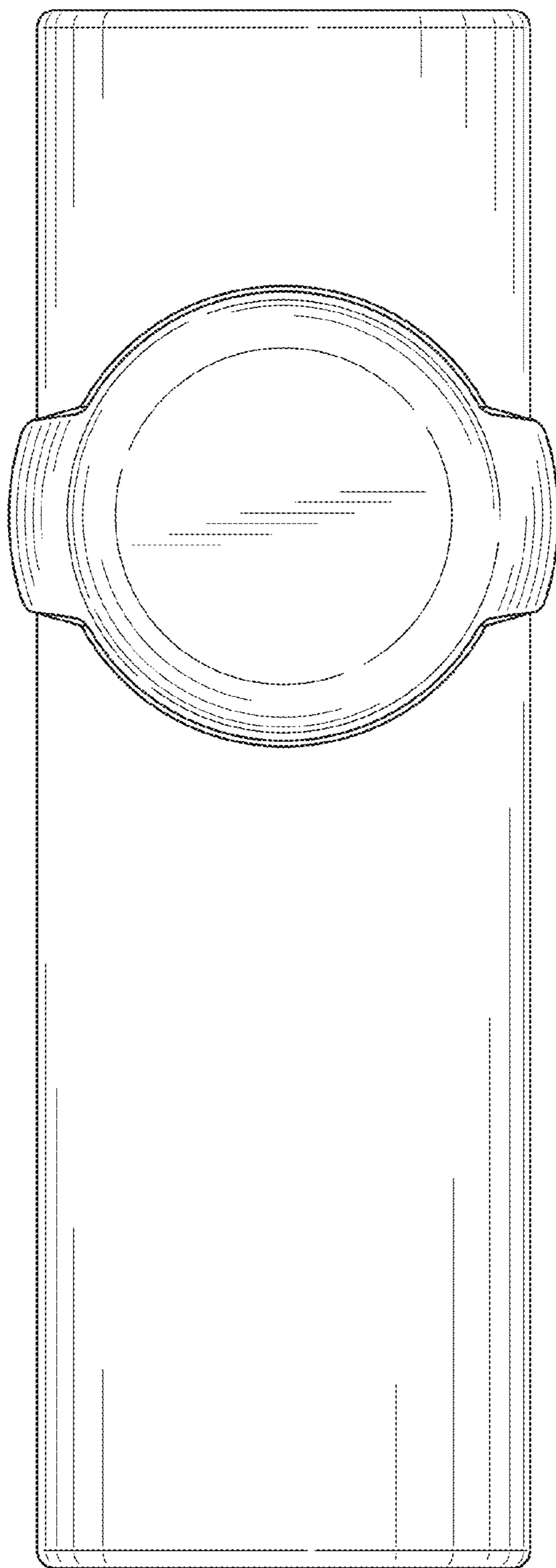


FIG. 2

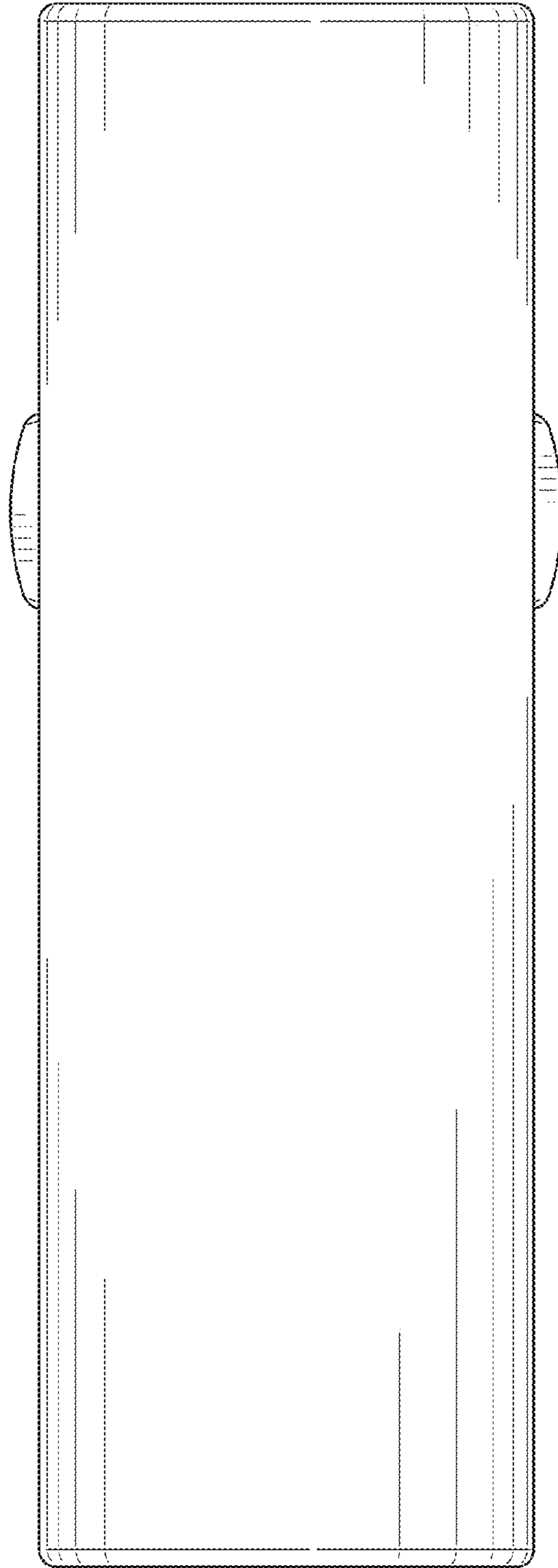


FIG. 3

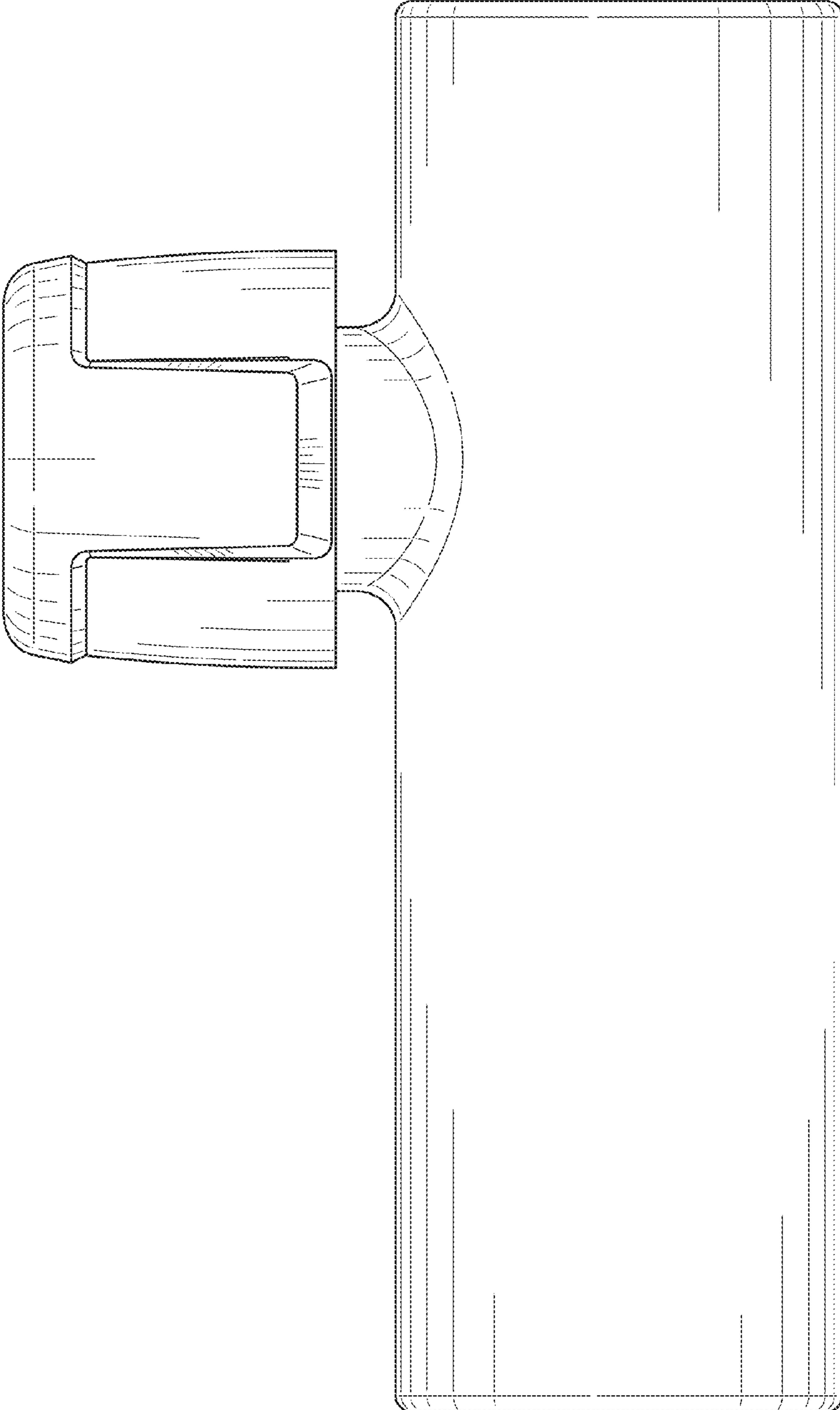


FIG. 4

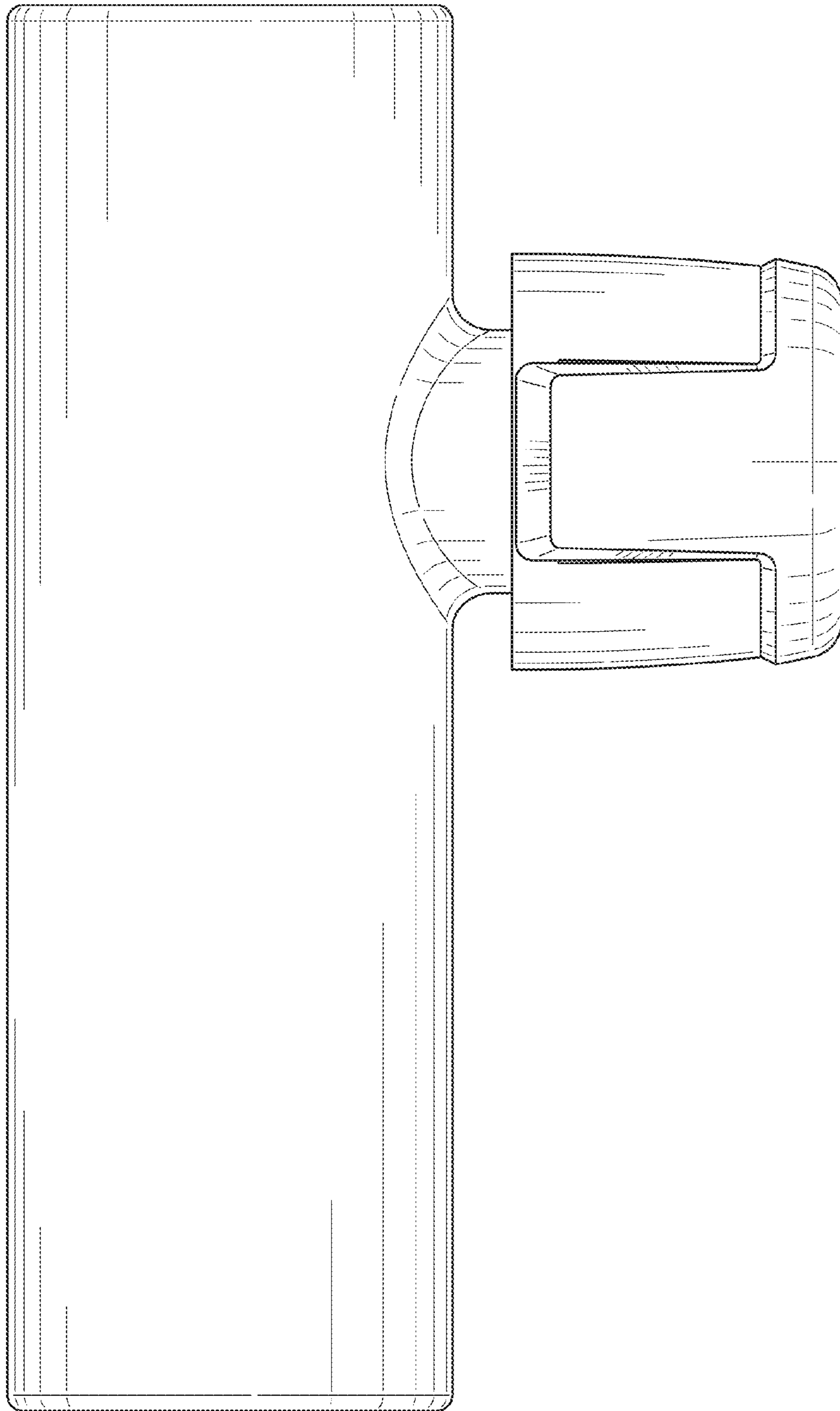


FIG. 5

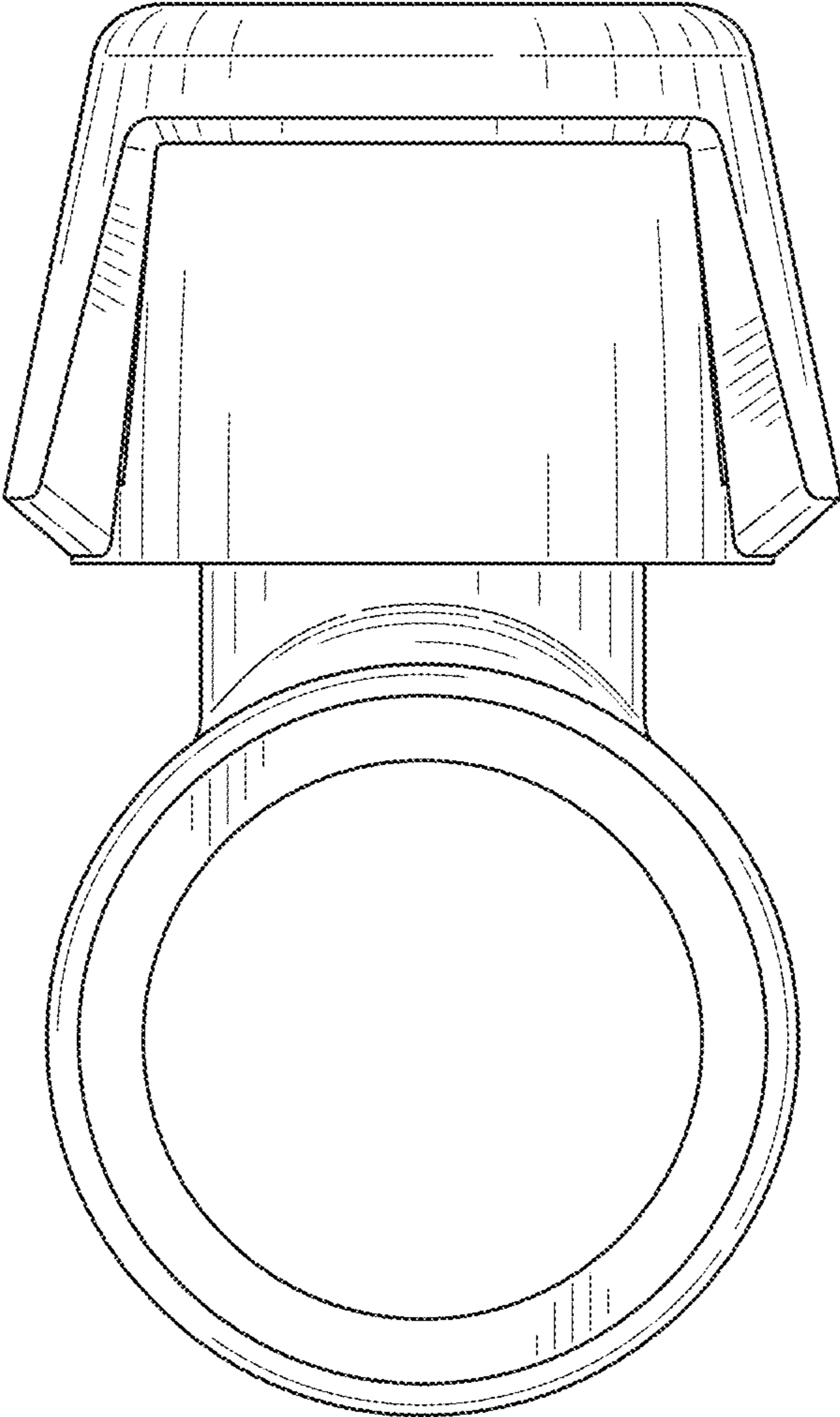


FIG. 6

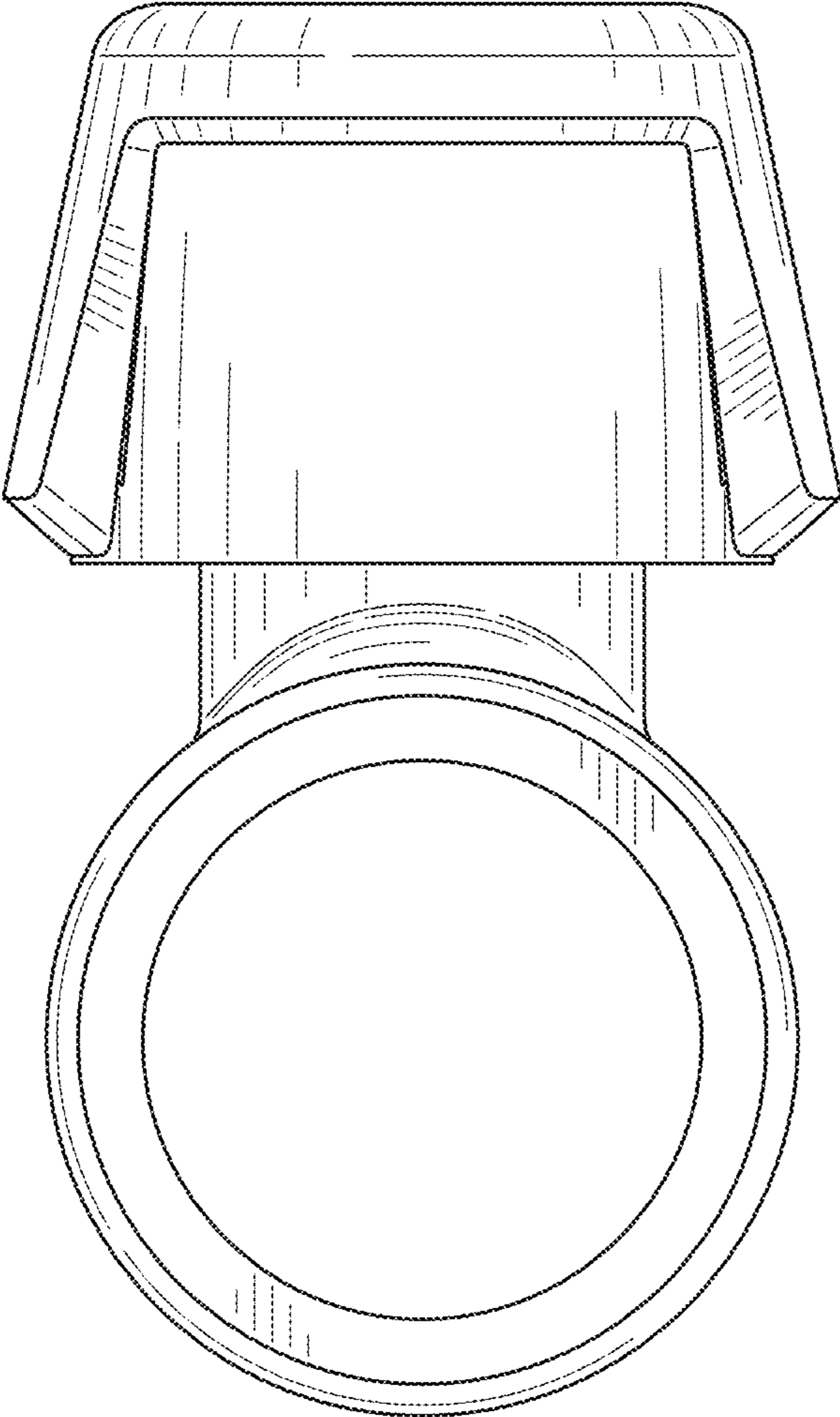


FIG. 7