



US00D751804S

(12) **United States Design Patent**
Van Assche

(10) **Patent No.:** **US D751,804 S**
(45) **Date of Patent:** **** Mar. 22, 2016**

(54) **SHOE HOOK**

(71) Applicant: **Christian Dior Couture**, Paris (FR)

(72) Inventor: **Kris Van Assche**, Paris (FR)

(73) Assignee: **Christain Dior Couture, S.A.**, Paris (FR)

(**) Term: **14 Years**

(21) Appl. No.: **29/507,910**

(22) Filed: **Oct. 31, 2014**

(30) **Foreign Application Priority Data**

May 6, 2014 (WO) DM/083 985

(51) **LOC (10) Cl.** **02-04**

(52) **U.S. Cl.**
USPC **D2/978**

(58) **Field of Classification Search**
USPC D2/896, 946, 969, 976, 978, 928, 929,
D2/930, 931, 935, 943; 36/1, 83, 136;
40/636; 24/3.1, 369, 370; D11/200,
D11/208, 209, 210, 78.1, 87
CPC A43B 3/0078; A43B 23/24; F16G 11/00;
A41B 2300/30; A41B 2300/32; A41B
2300/326; A44B 13/00; A44B 13/0005;
A44B 13/0011; A44B 13/0017; A44B
13/0023; A44B 13/0029; A44B 13/0035;
A44B 13/0041; A44B 13/0047; A44B 13/0052
See application file for complete search history.

(56) **References Cited**

U.S. PATENT DOCUMENTS

56,806 A * 7/1866 Srinture 24/712.7
779,710 A * 1/1905 Henderson 24/712.2
908,704 A * 1/1909 Sprinkle 24/712.1
1,472,519 A * 10/1923 Gingrich 24/712.7

D405,602 S * 2/1999 Zebe, Jr. D2/978
D460,858 S * 7/2002 Zebe, Jr. D2/978
D462,163 S * 9/2002 Zebe, Jr. D2/978
7,069,626 B2 * 7/2006 Issler 24/714.6
D626,322 S * 11/2010 Servettaz D2/978
D630,419 S * 1/2011 Torrance et al. D2/946
D637,385 S * 5/2011 Spring D2/970
D701,372 S * 3/2014 Portzline D2/896
D735,987 S * 8/2015 Hsu D2/978

* cited by examiner

Primary Examiner — Elizabeth J Oswecki

(74) *Attorney, Agent, or Firm* — Amster, Rothstein & Ebenstein LLP; Philip H. Gottfried, Esq.

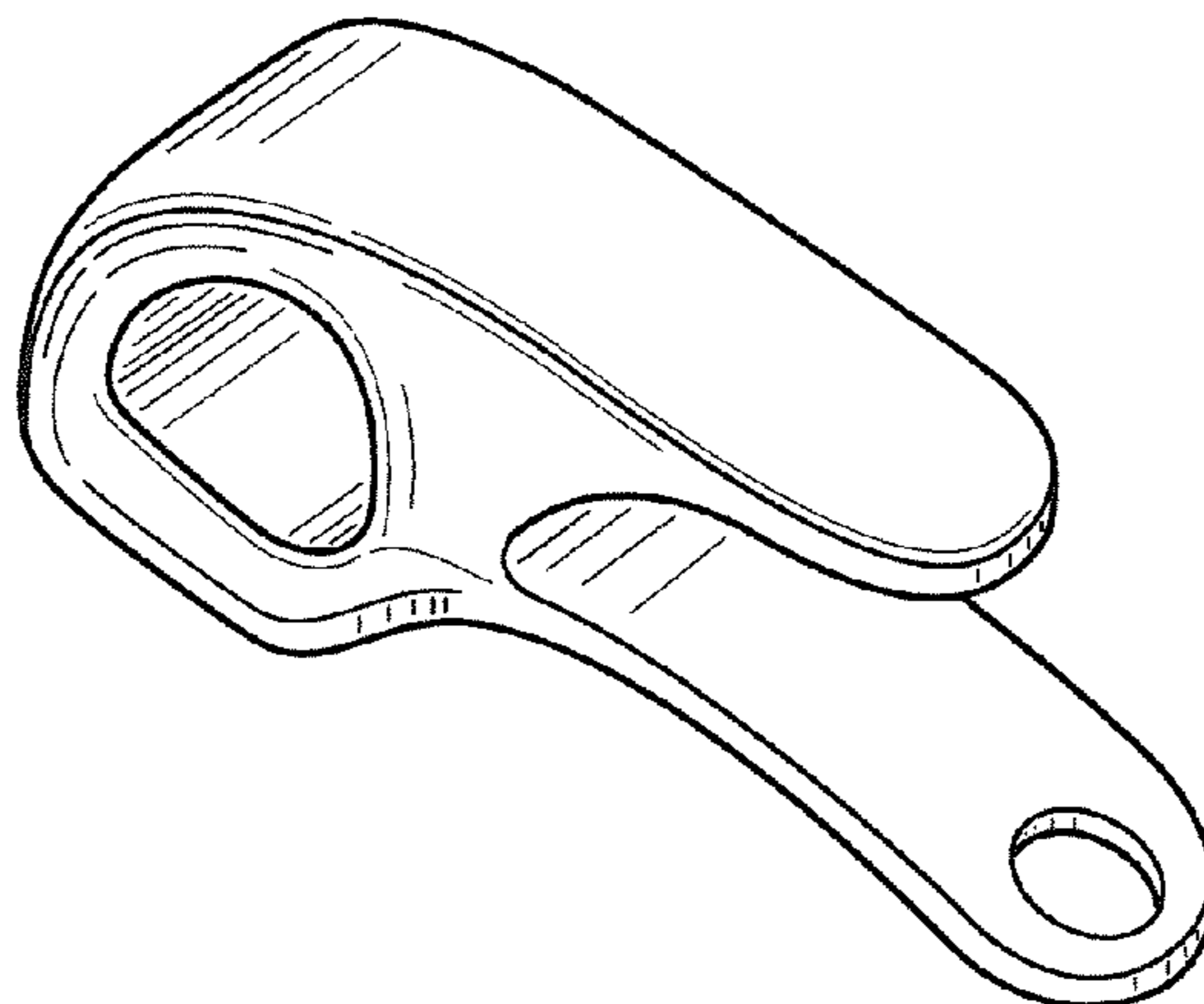
(57) **CLAIM**

The ornamental design for a shoe hook, substantially as shown and described.

DESCRIPTION

FIG. 1 is a left, front perspective view of a shoe hook, showing my new design in a used condition on a shoe with shoe hooks shown in broken lines;
FIG. 2 is a front elevational view thereof;
FIG. 3 is a left side elevational view thereof, the right side elevational view being a mirror image thereof;
FIG. 4 is a top plan view thereof;
FIG. 5 is a left, front perspective view thereof, shown in an unused condition;
FIG. 6 is a top plan view of FIG. 5;
FIG. 7 is another top plan view of FIG. 5 shown in place on a portion of a shoe shown in broken lines;
FIG. 8 is a left side elevational view of FIG. 5;
FIG. 9 is a right side elevational view of FIG. 5;
FIG. 10 is a bottom plan view of FIG. 5;
FIG. 11 is a rear elevational view of FIG. 5; and,
FIG. 12 is a front elevational view of FIG. 5.
The broken lines shown in FIGS. 1-4 and FIG. 7 form no part of the claimed design.

1 Claim, 8 Drawing Sheets



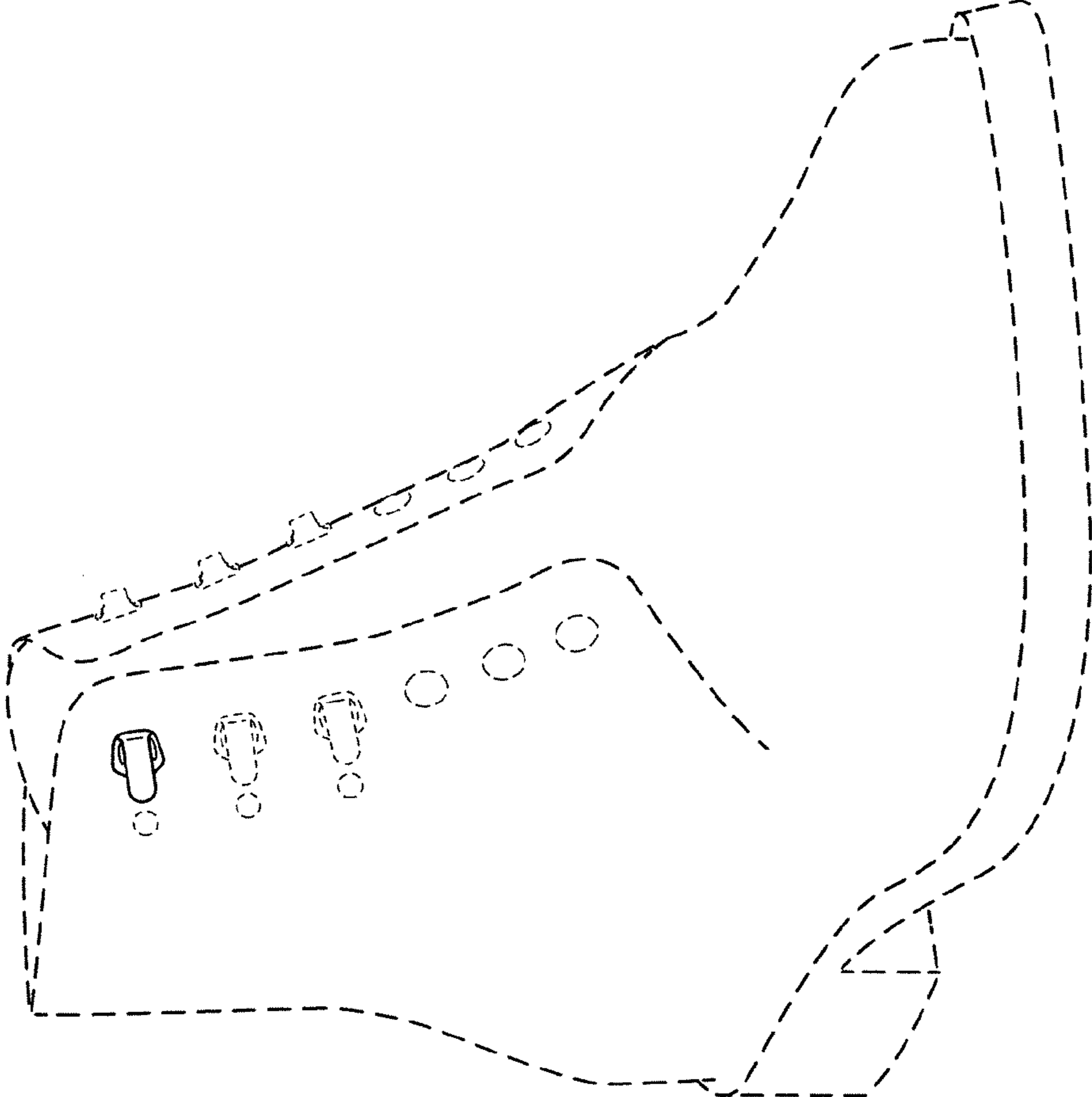


FIG. 1

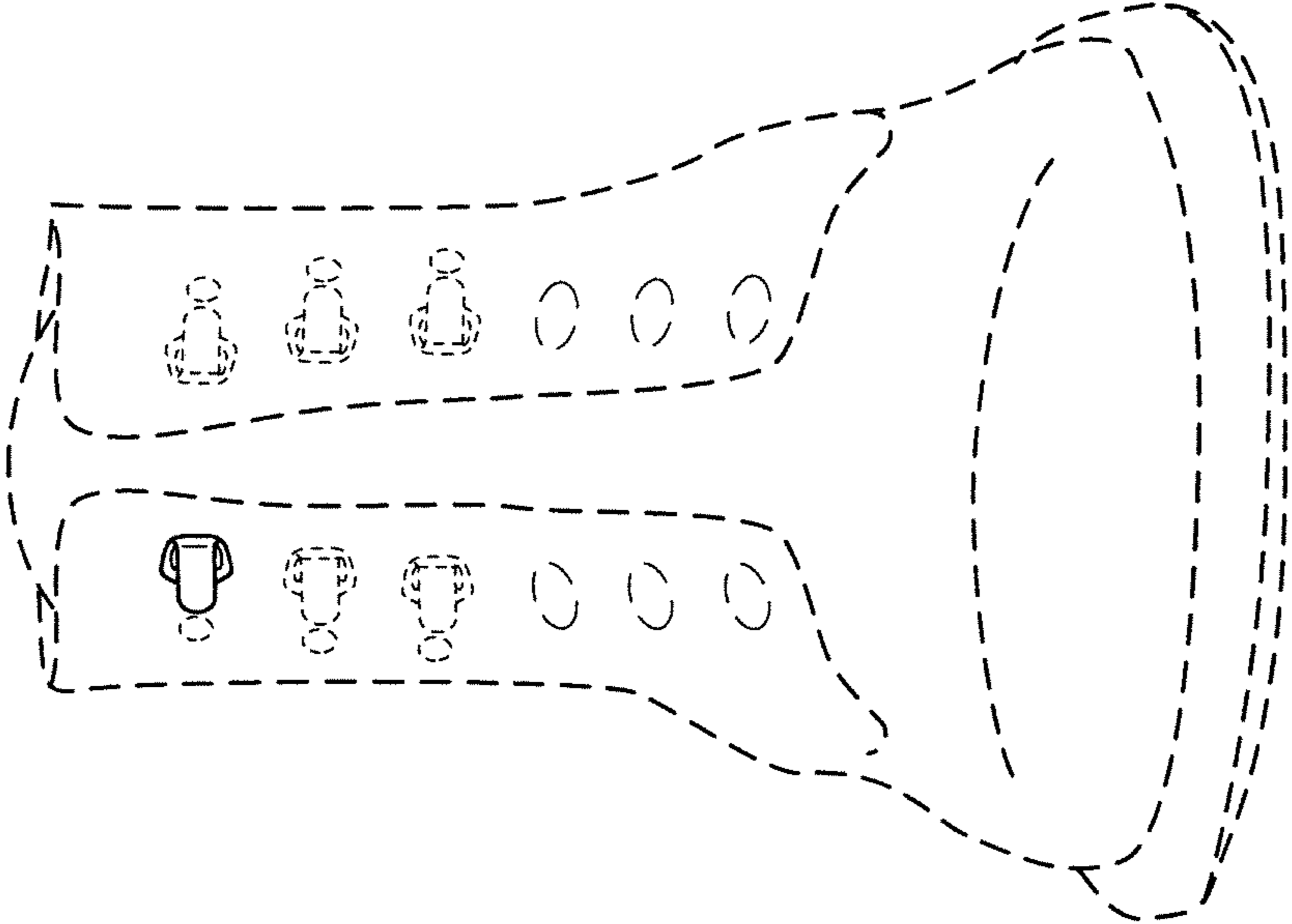


FIG. 2

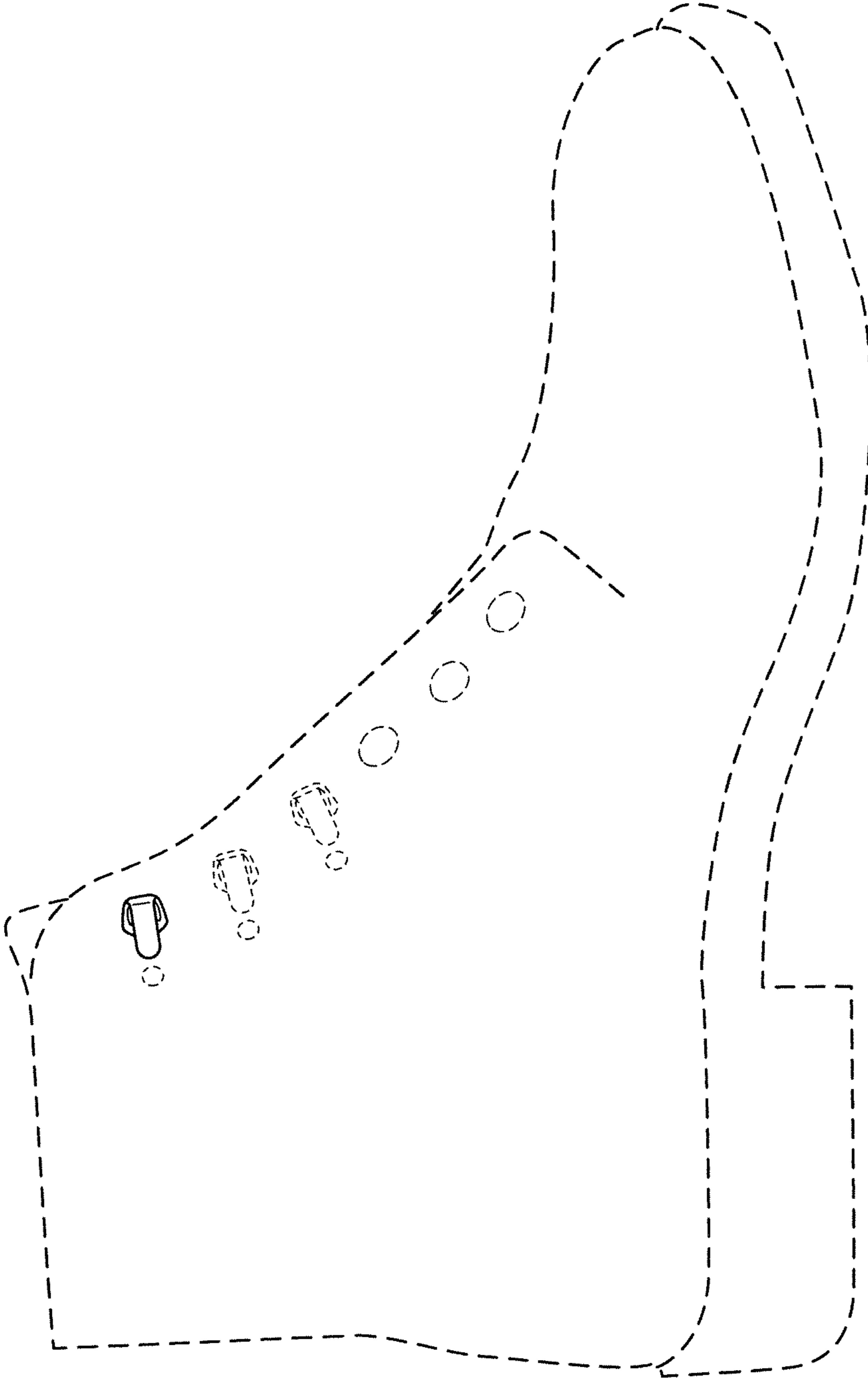


FIG. 3

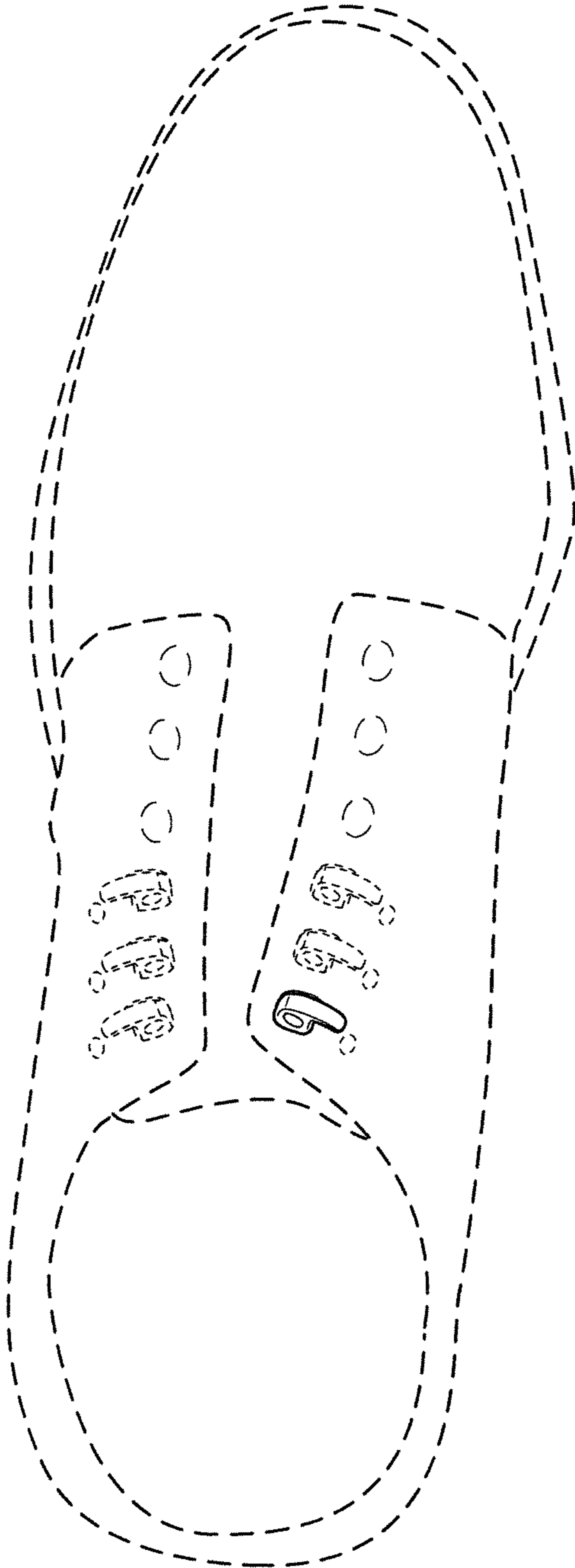


FIG. 4

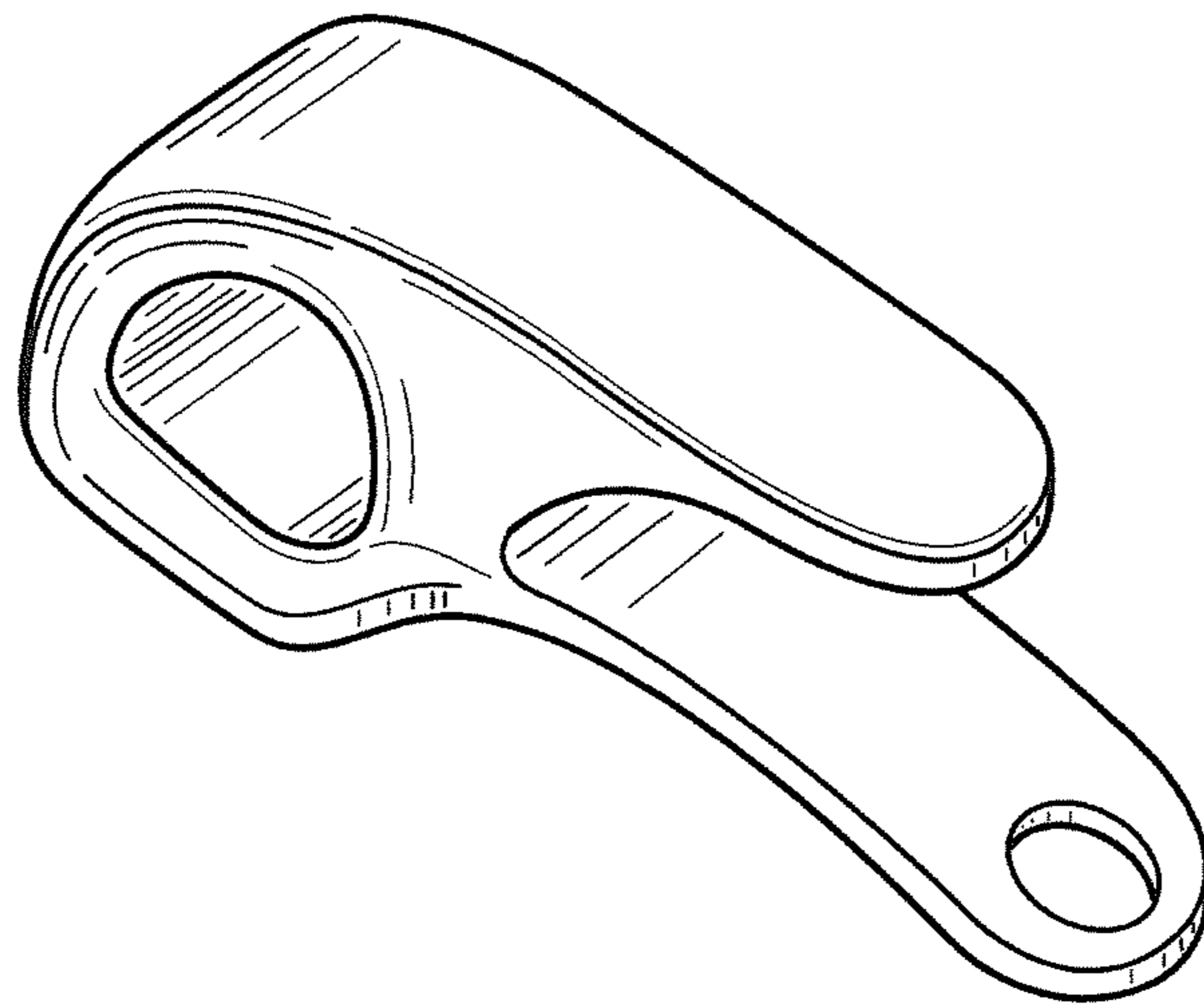


FIG. 5

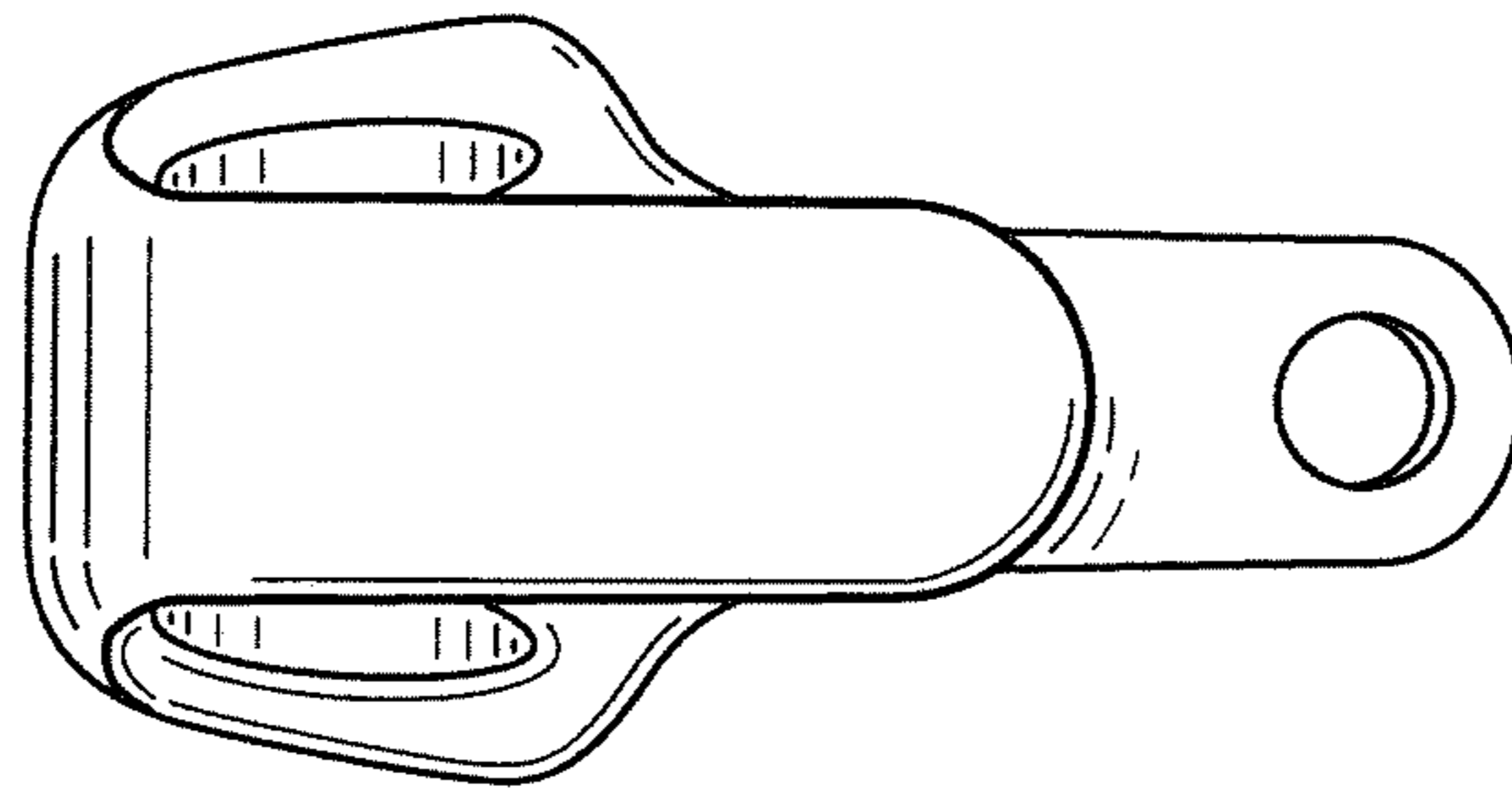


FIG. 6

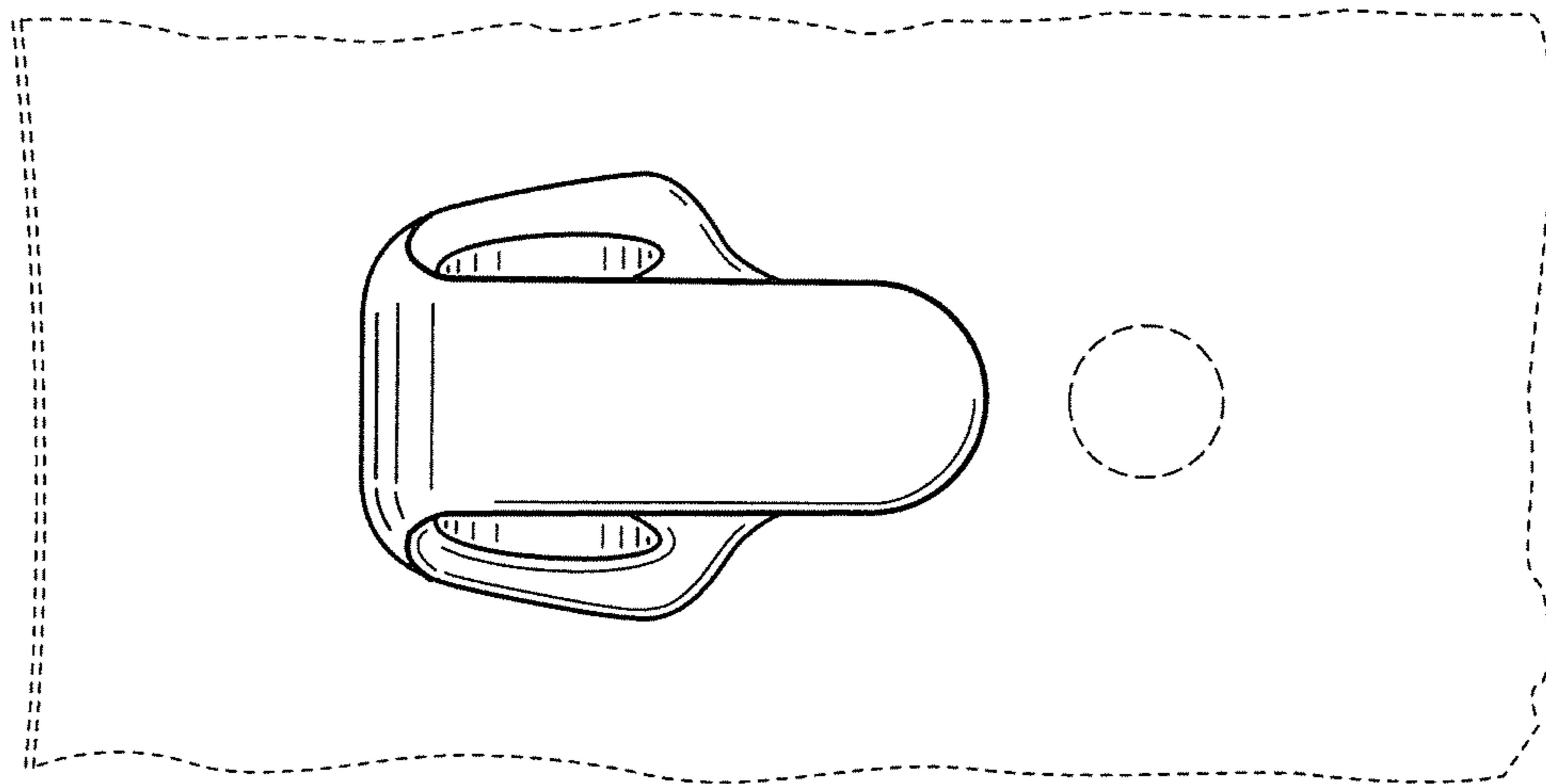


FIG. 7

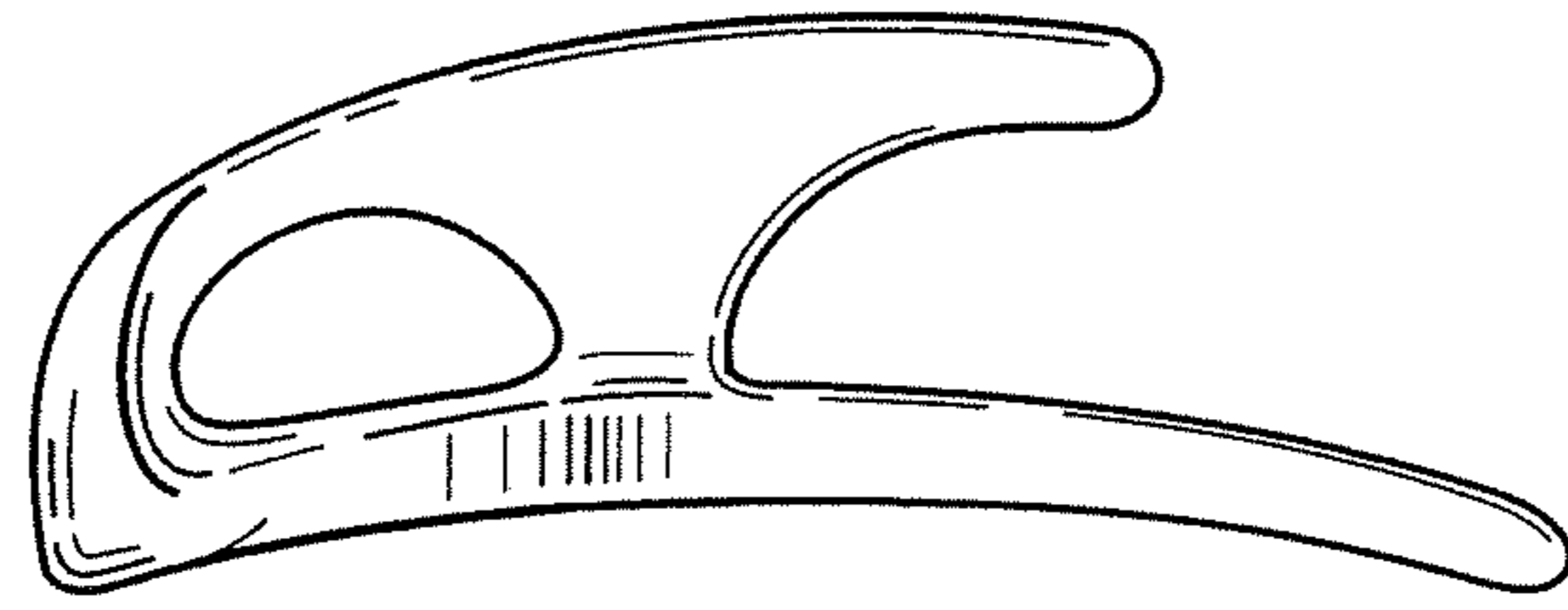


FIG. 8

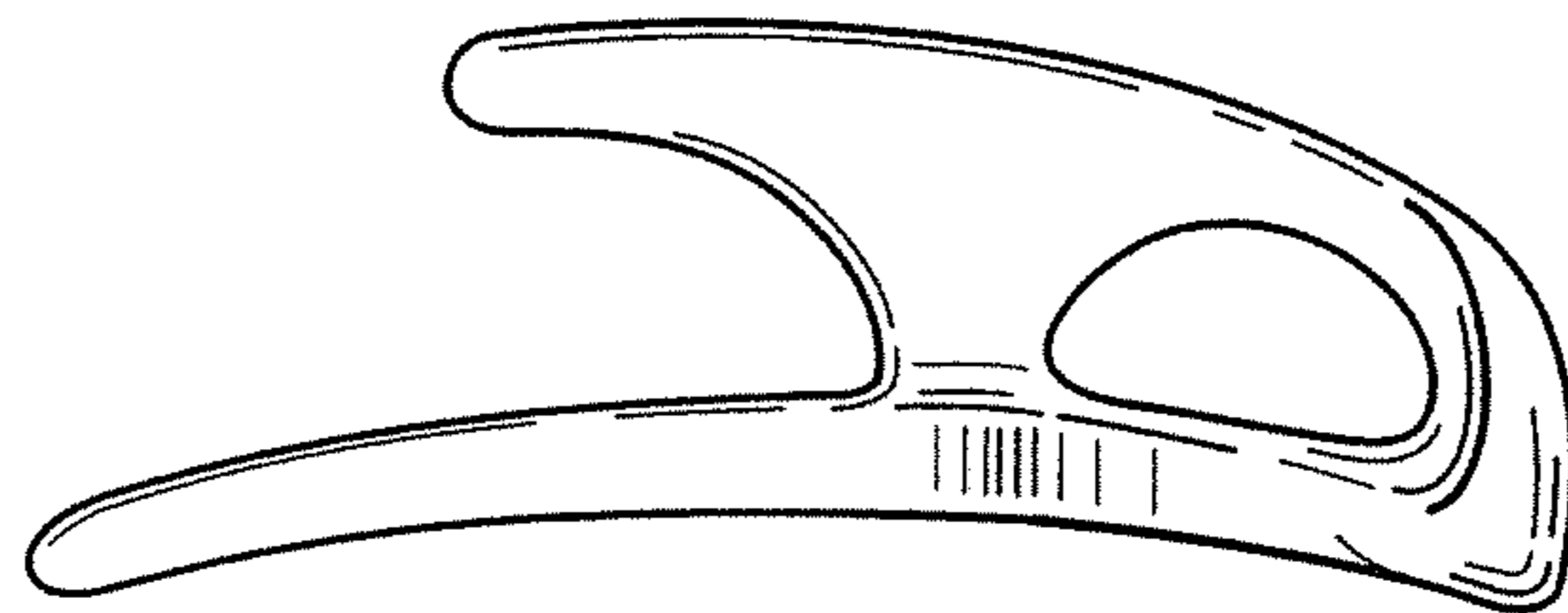


FIG. 9

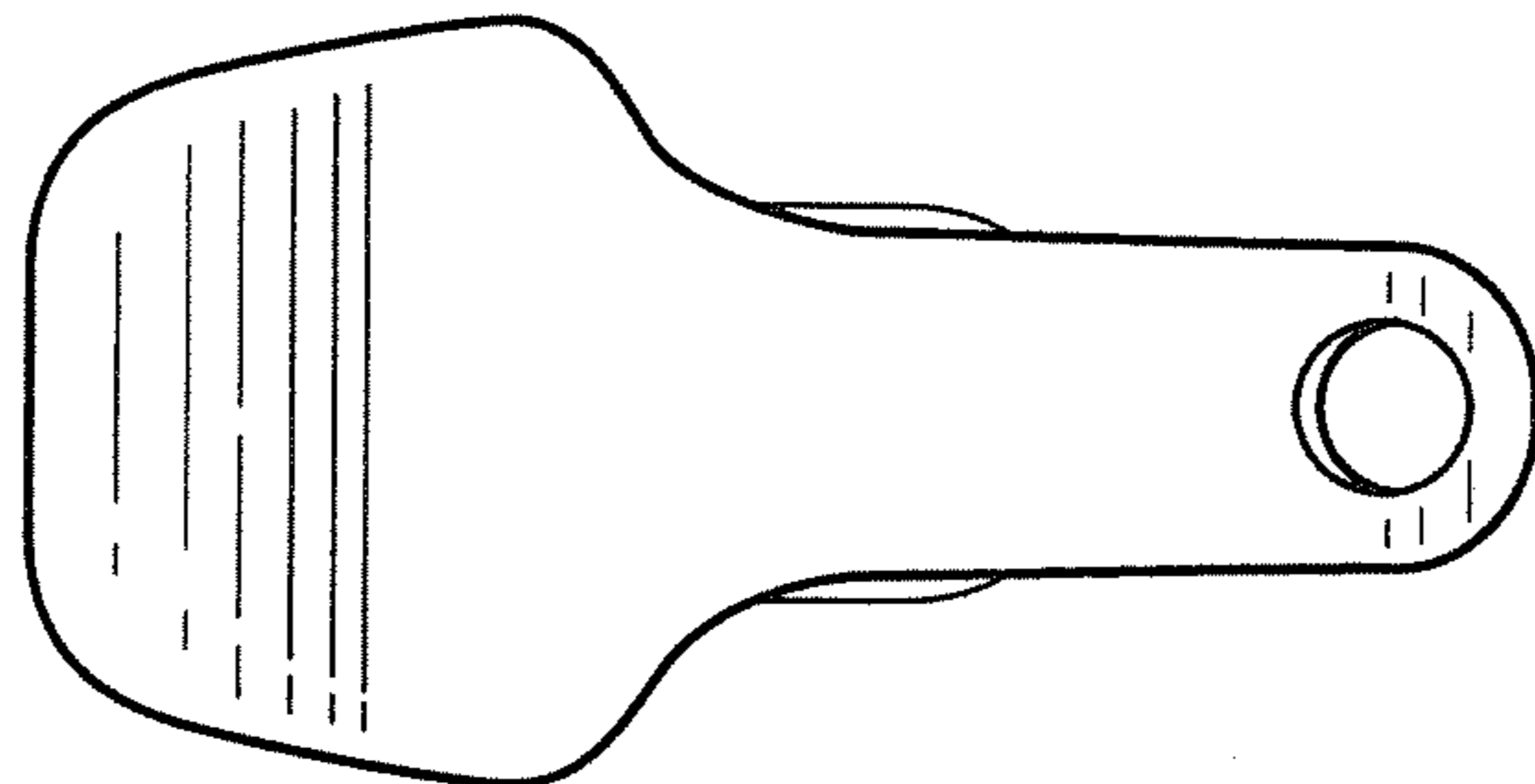


FIG. 10

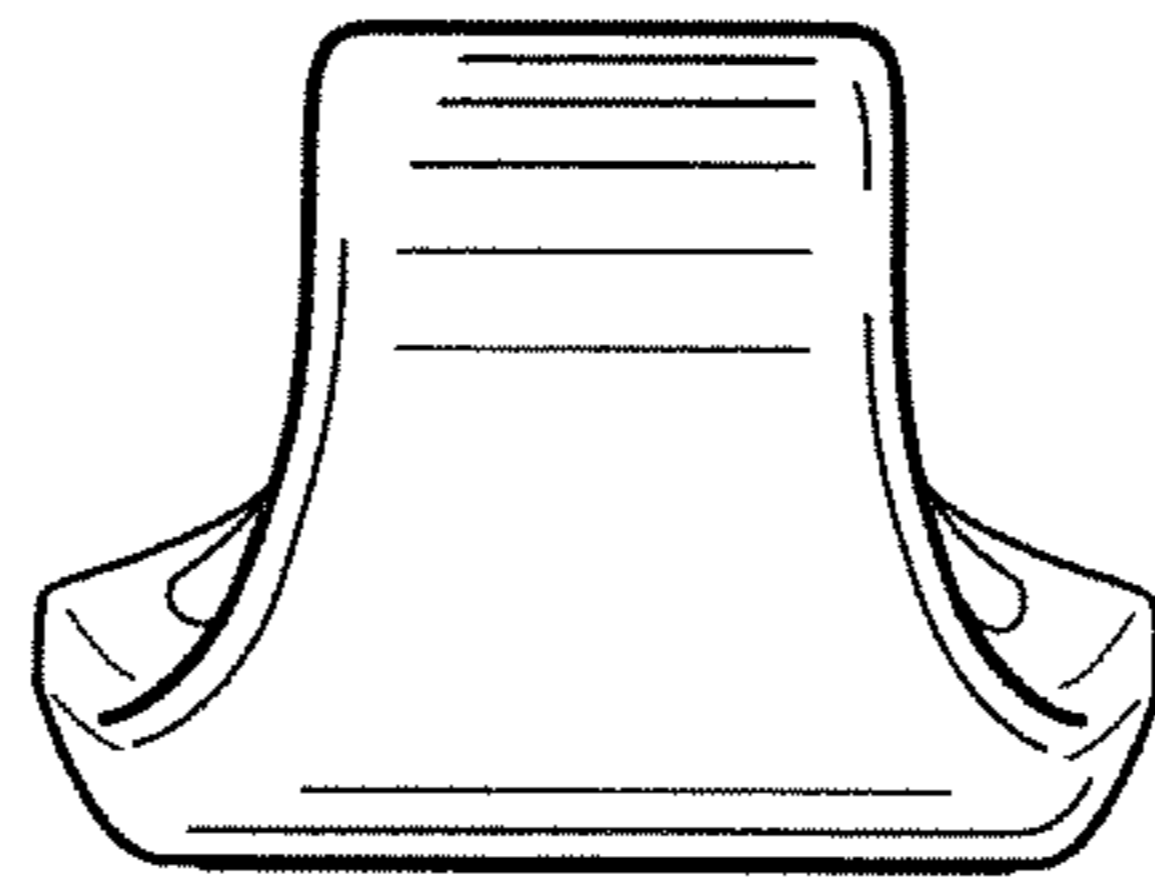


FIG. 11

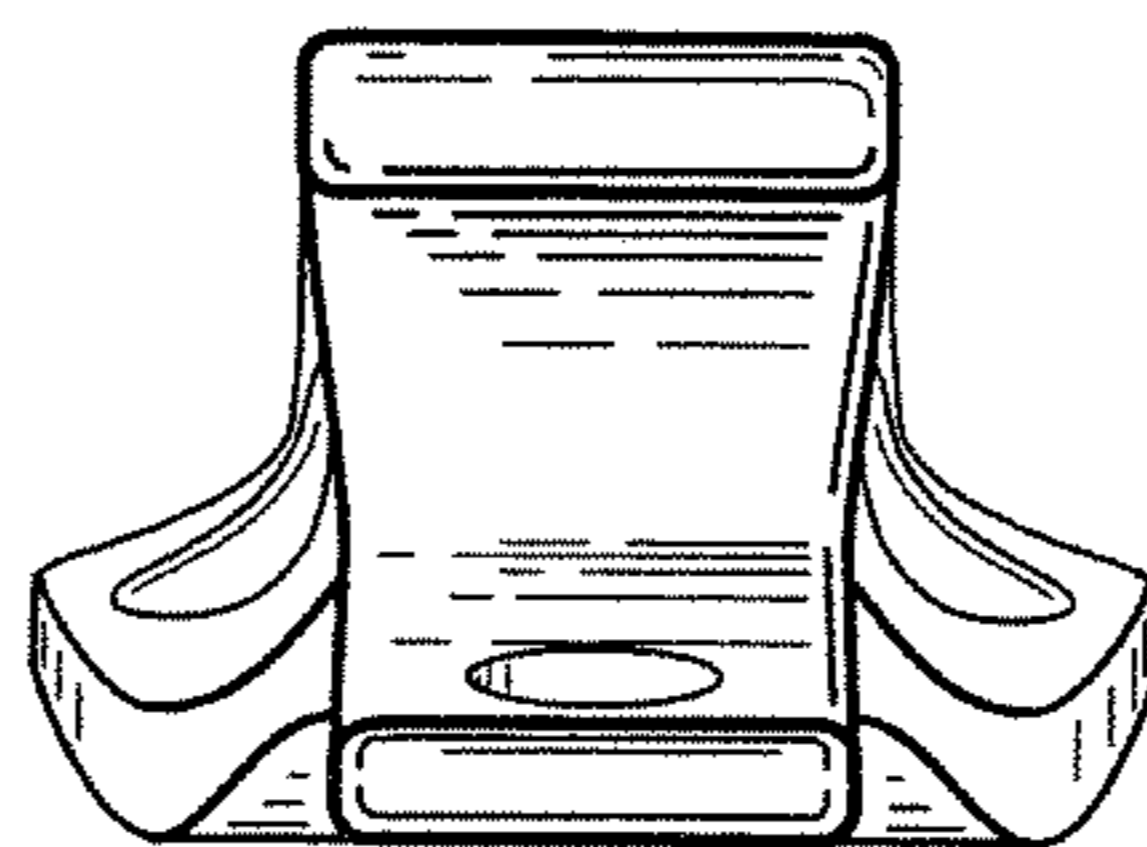


FIG. 12