



US00D751802S

(12) **United States Design Patent**
Garrett

(10) **Patent No.:** **US D751,802 S**
(45) **Date of Patent:** **** Mar. 22, 2016**

- (54) **SHOE HEEL**
- (71) Applicant: **Desmond Maleek Garrett**, Roosevelt, NY (US)
- (72) Inventor: **Desmond Maleek Garrett**, Roosevelt, NY (US)
- (73) Assignee: **Desmond Maleek Garrett**, Roosevelt, NY (US)
- (**) Term: **14 Years**
- (21) Appl. No.: **29/474,071**
- (22) Filed: **May 21, 2014**
- (51) **LOC (10) Cl.** **02-04**
- (52) **U.S. Cl.**
USPC **D2/966**
- (58) **Field of Classification Search**
USPC D2/896, 916, 918, 925, 926, 928-942,
D2/946, 964, 965, 966, 967, 968, 976;
36/83, 92, 34 R, 40, 41, 42, 34 A, 34 B,
36/69
CPC A43B 21/00; A43B 21/02; A43B 21/025;
A43B 21/03; A43B 21/04; A43B 21/06;
A43B 21/08; A43B 21/18; A43B 21/20;
A43B 21/22; A43B 21/24; A43B 21/26;
A43B 21/32; A43B 21/36; A43B 21/38;
A43B 21/54
See application file for complete search history.

(56) **References Cited**

U.S. PATENT DOCUMENTS

D122,122 S *	8/1940	Korda	D2/966
D122,166 S *	8/1940	Korda	D2/966
D123,167 S *	10/1940	Nutt	D2/966
2,260,224 A *	10/1941	Hubbard, Jr.	36/34 A
D166,868 S *	5/1952	Perugia	D2/966
2,934,840 A *	5/1960	Mistarz	36/34 R

D194,204 S *	12/1962	Taicher et al.	D2/966
3,086,302 A *	4/1963	Sultan	36/34 A
3,199,232 A *	8/1965	Pike	36/100
3,514,879 A *	6/1970	Frattallone	36/42
D262,330 S *	12/1981	Sucheras	D2/966
D456,476 S *	4/2002	Tate	D21/794
D473,813 S *	4/2003	Titus et al.	D11/66
D507,704 S *	7/2005	Dean et al.	D6/303
D520,905 S *	5/2006	Andrews	D11/133
D525,520 S *	7/2006	Martin	D8/356
D525,897 S *	8/2006	Raiman	D11/66
D533,746 S *	12/2006	Levy et al.	D7/354
D542,590 S *	5/2007	Levy et al.	D7/354
D555,033 S *	11/2007	Perkins	D11/120
D561,255 S *	2/2008	Oas	D19/65
D563,638 S *	3/2008	Guers-Neyrud	D2/965
D569,920 S *	5/2008	Falah	D21/440
D572,126 S *	7/2008	Tomaka	D8/395
D574,696 S *	8/2008	Greening	D8/347
D576,789 S *	9/2008	Mayer	D3/215
D580,642 S *	11/2008	Guers-Neyraud	D2/965
D580,643 S *	11/2008	Guers-Neyraud	D2/965
D585,196 S *	1/2009	Bundrick	D3/318
D590,885 S *	4/2009	Love	D19/65
D593,245 S *	5/2009	Kasatshko	D26/73
D605,840 S *	12/2009	Schwartz	D2/965
D610,482 S *	2/2010	Shaw	D11/81
D632,469 S *	2/2011	Guers-Neyraud	D2/965
D639,700 S *	6/2011	Adams et al.	D11/95
D641,660 S *	7/2011	Cavness	D11/157

(Continued)

Primary Examiner — Elizabeth J Oswecki

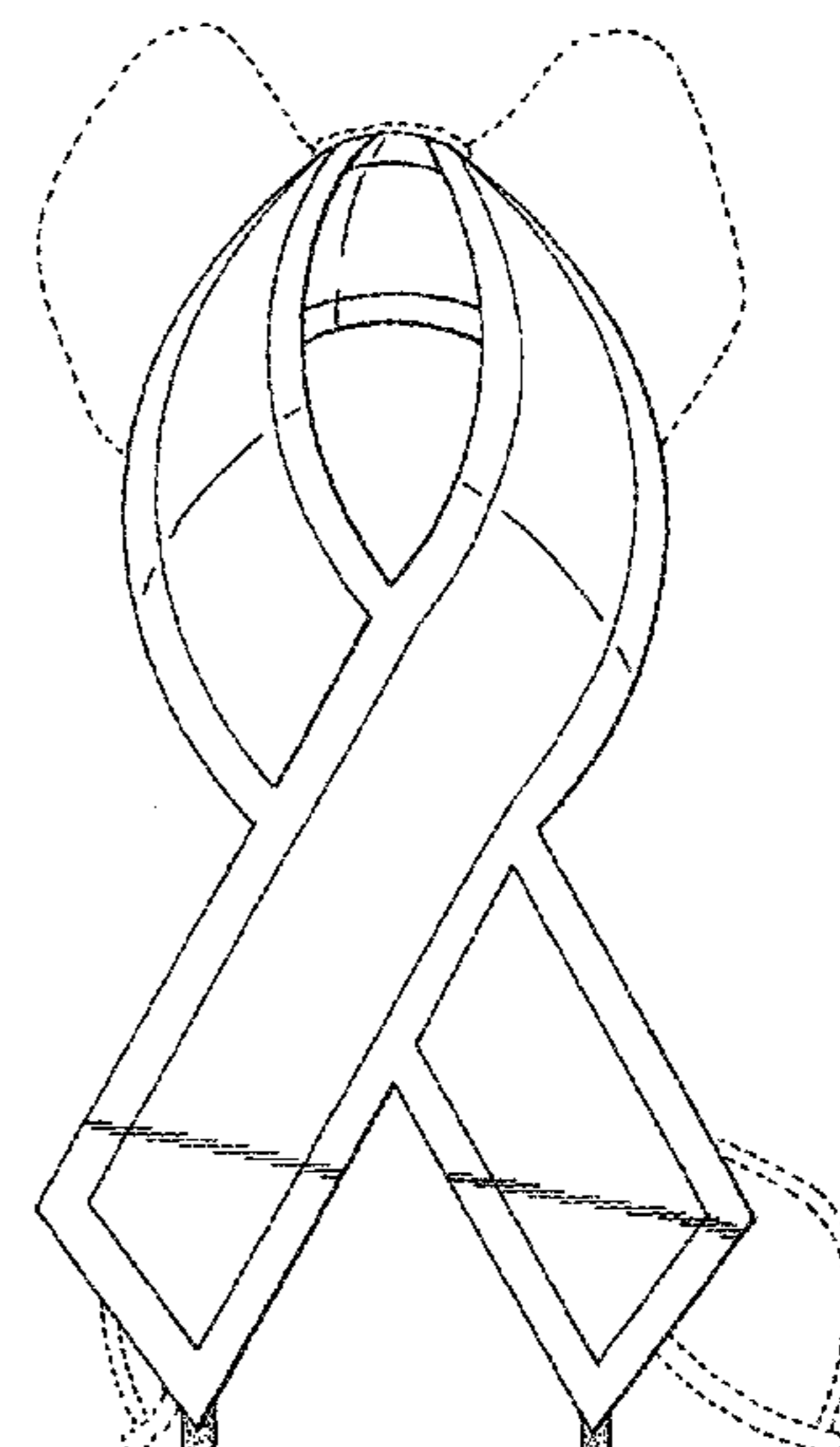
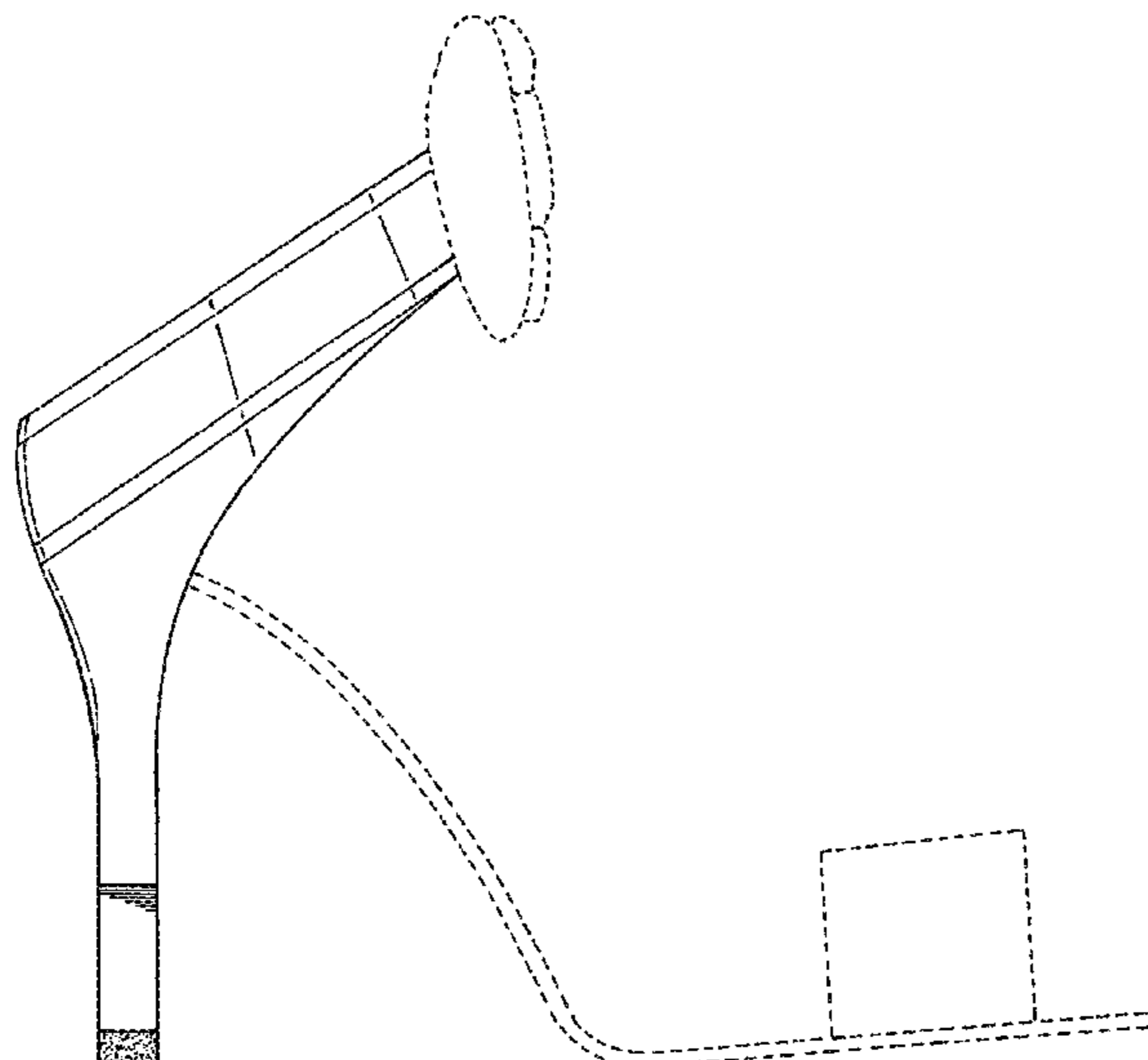
(57) **CLAIM**

The ornamental design for a shoe heel, as shown and described.

DESCRIPTION

FIG. 1 is a side elevational view of a shoe heel showing my new design;
FIG. 2 is a rear elevational view thereof; and,
FIG. 3 is a front elevational view thereof.
All surfaces not shown form no part of the claimed design.

1 Claim, 2 Drawing Sheets



(56)

References Cited

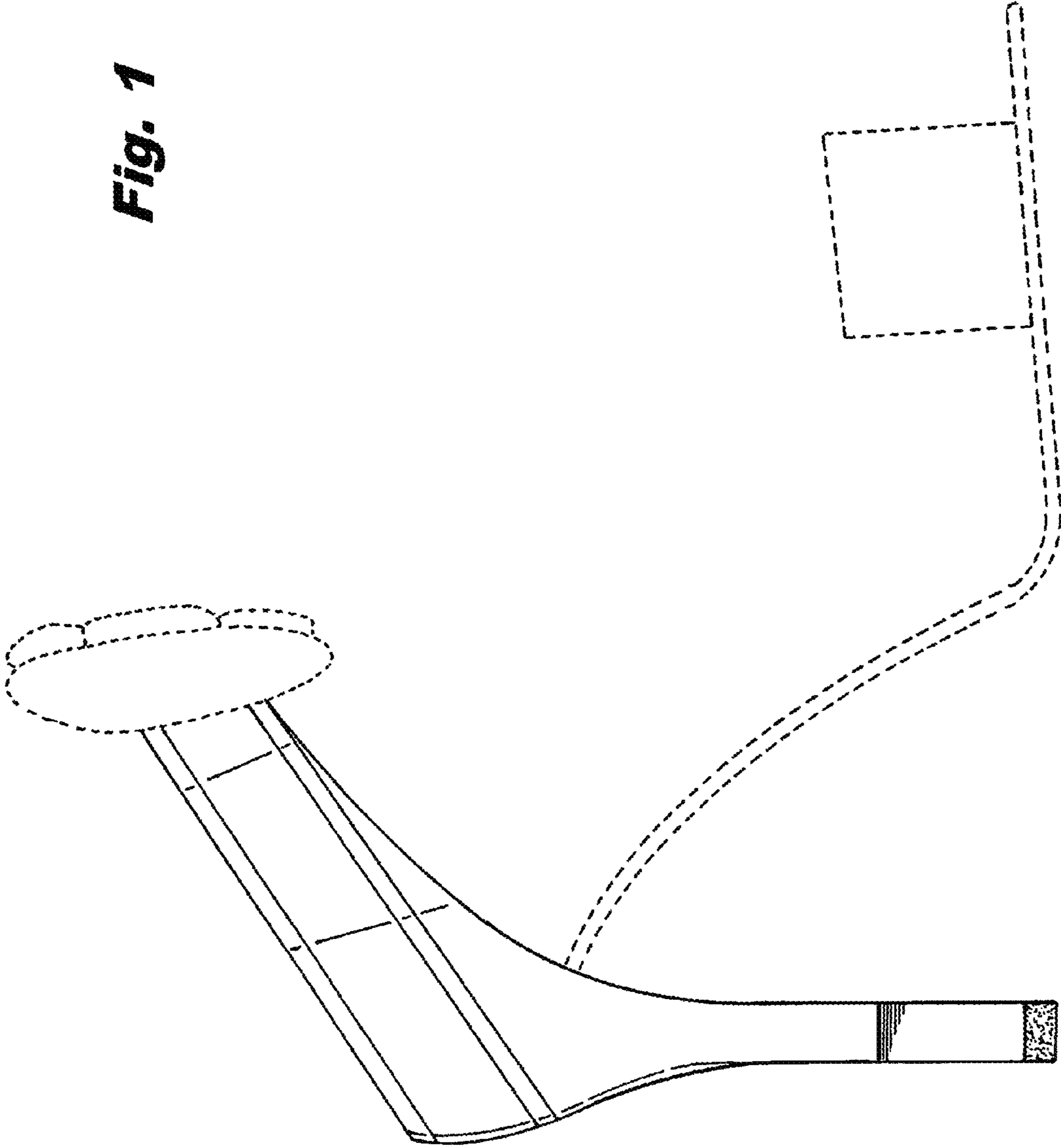
U.S. PATENT DOCUMENTS

D646,949 S * 10/2011 Zaksenberg D8/103
8,053,011 B1 * 11/2011 Cambridge 426/283
D668,856 S * 10/2012 Garrett et al. D2/965
D676,354 S * 2/2013 Yancey D11/133
D676,729 S * 2/2013 Kent et al. D8/49
D677,332 S * 3/2013 Kent et al. D19/69

D687,737 S * 8/2013 Japel D11/96
D700,731 S * 3/2014 Schwartz D26/73
D716,016 S * 10/2014 Kemper D1/106
D716,516 S * 11/2014 Kemper D1/106
D723,967 S * 3/2015 Youkhana et al. D11/14
D724,303 S * 3/2015 Manasra D2/966
D726,570 S * 4/2015 Puterman D11/3
D728,211 S * 5/2015 Kirkwood D2/965
D728,375 S * 5/2015 Washington D9/600

* cited by examiner

Fig. 1



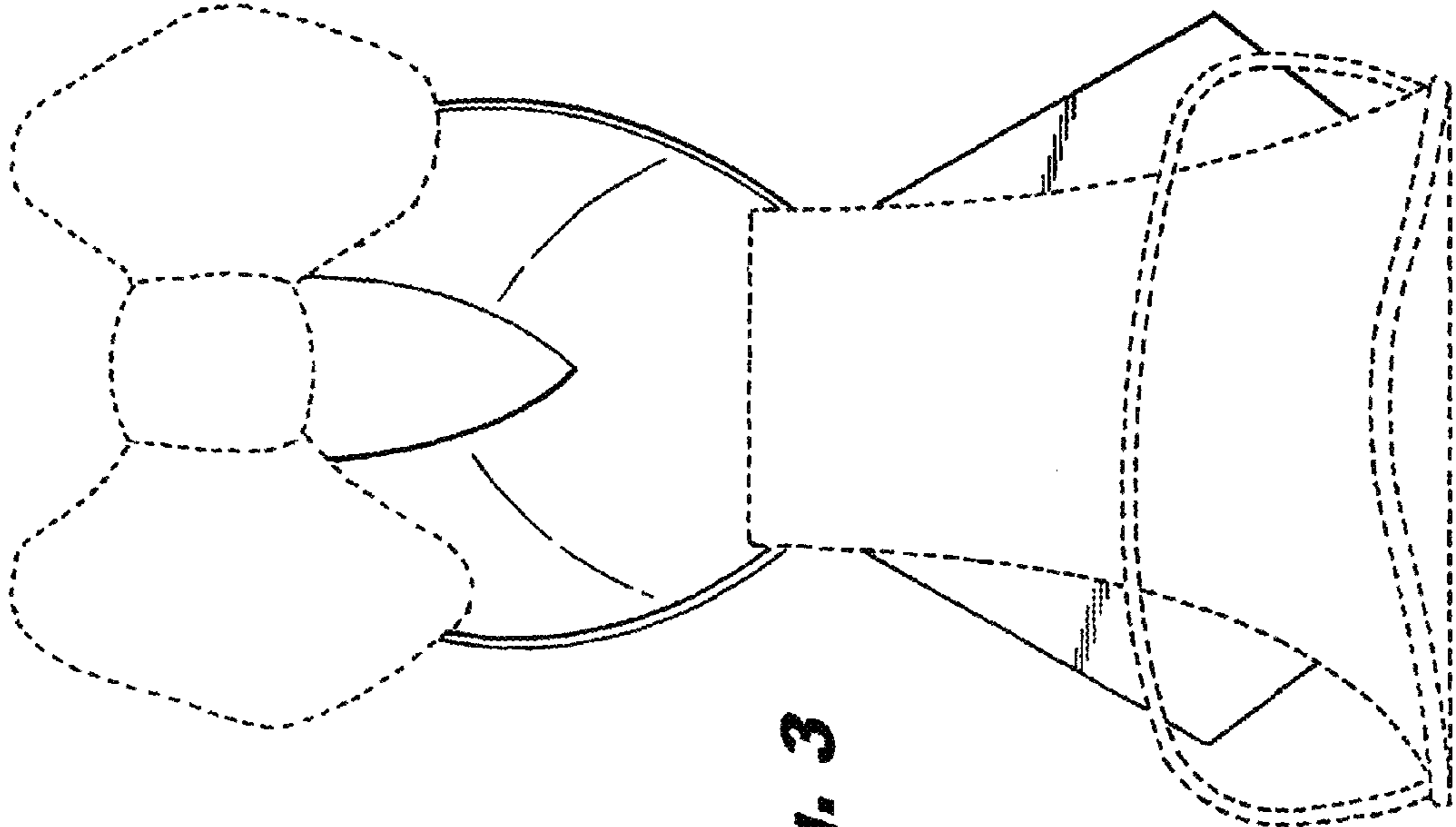


Fig. 3

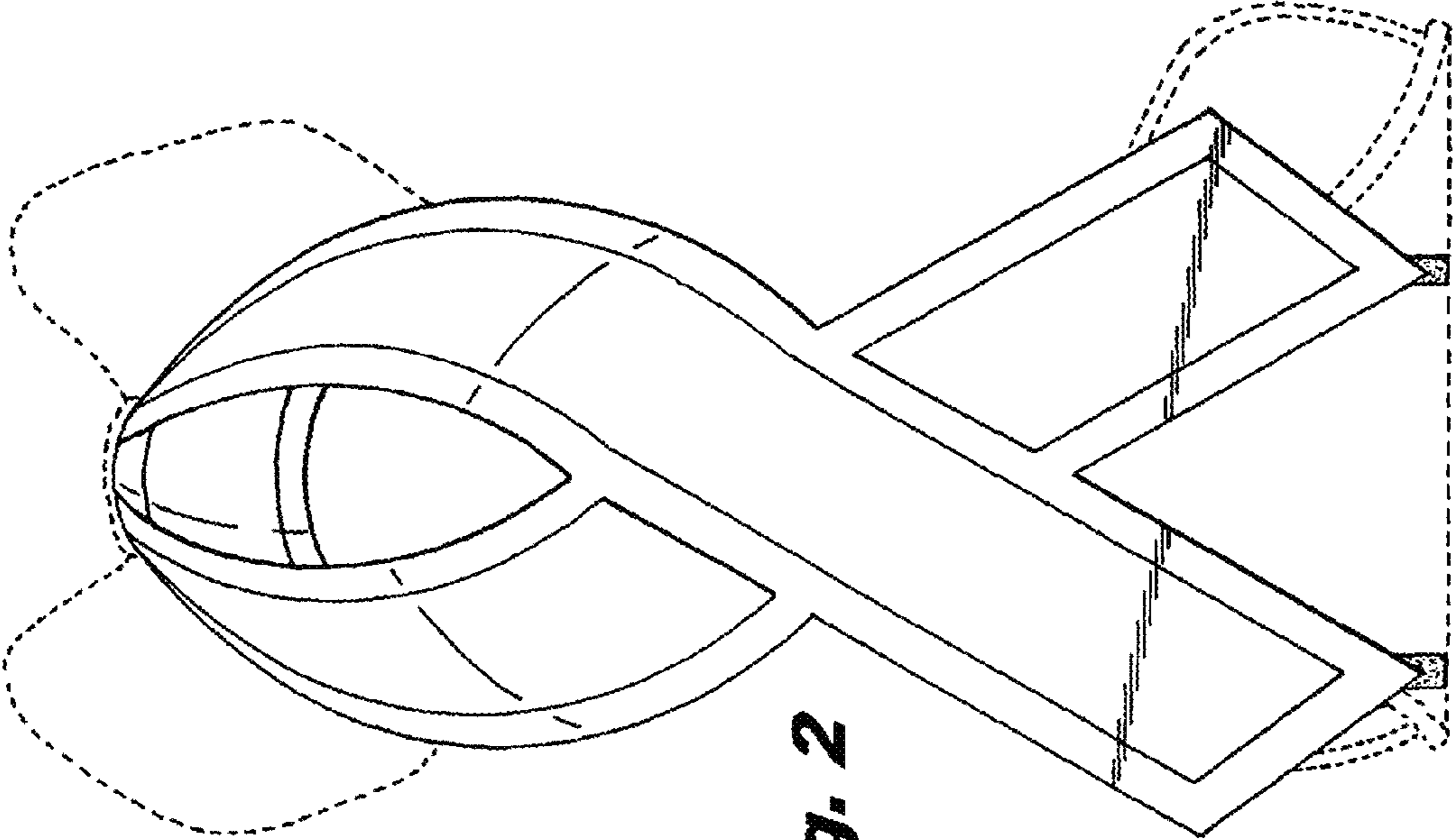


Fig. 2