



US00D751796S

(12) **United States Design Patent**
Gewirz et al.

(10) **Patent No.:** **US D751,796 S**
(45) **Date of Patent:** **** Mar. 22, 2016**

(54) **HAT WITH LENTICULAR PANELS**

(71) Applicants: **Eric J. Gewirz**, Bethesda, MD (US);
Carl S. Gewirz, Bethesda, MD (US)

(72) Inventors: **Eric J. Gewirz**, Bethesda, MD (US);
Carl S. Gewirz, Bethesda, MD (US)

(**) Term: **15 Years**

(21) Appl. No.: **29/531,701**

(22) Filed: **Jun. 29, 2015**

Related U.S. Application Data

(63) Continuation-in-part of application No. 29/526,526,
filed on May 11, 2015.

(51) **LOC (10) Cl.** **02-03**

(52) **U.S. Cl.**
USPC **D2/891**

(58) **Field of Classification Search**

USPC D2/865-895; 2/171, 181, 183, 209.12,
2/209.13, 195.1, 195.2, 195.3, 195.6, 10,
2/422, 425

CPC A42B 1/248; A42B 1/24; A42B 1/00;
A42B 1/004; A42B 1/244; A42B 1/245;
A42B 1/006; A42B 1/04

See application file for complete search history.

(56) **References Cited**

U.S. PATENT DOCUMENTS

2,754,236 A * 7/1956 Hermanson B65D 65/40
428/154
4,667,274 A * 5/1987 Daniel F21L 11/00
2/209.13

(Continued)

OTHER PUBLICATIONS

Adventure Time BMO Lenticular Snapback Hat (on-line), dated Dec. 1, 2014. Retrieved from Internet Aug. 28, 2015, URL: <https://web.archive.org/web/20141201032814/http://www.hottopic.com/hottopic/PopCulture/TV/AdventureTime/Adventure+Time+BMO+Lenticular+Snapback+Hat-10244687.jsp> (1 page).*

Primary Examiner — Karen E. Eldridge Powers

Assistant Examiner — Kimberly Barnes

(74) *Attorney, Agent, or Firm* — Dale J. Ream

(57) **CLAIM**

The ornamental design for a hat with lenticular panels, as shown and described.

DESCRIPTION

FIG. 1 is a front right perspective view of a hat with lenticular panels showing our new design;

FIG. 1a is an isolated view on an enlarged scale taken from FIG. 1;

FIG. 1b is an isolated view on an enlarged scale taken from FIG. 1;

FIG. 2 is a front elevation view thereof;

FIG. 2a is an isolated view on an enlarged scale taken from FIG. 2;

FIG. 2b is an isolated view on an enlarged scale taken from FIG. 2;

FIG. 3 is a back elevation view thereof;

FIG. 4 is a left side elevation view thereof;

FIG. 4a is an isolated view on an enlarged scale taken from FIG. 4;

FIG. 4b is an isolated view on an enlarged scale taken from FIG. 4;

FIG. 5 is a right side elevation view thereof;

FIG. 5a is an isolated view on an enlarged scale taken from FIG. 5;

FIG. 5b is an isolated view on an enlarged scale taken from FIG. 5;

FIG. 6 is a top plan view thereof; and

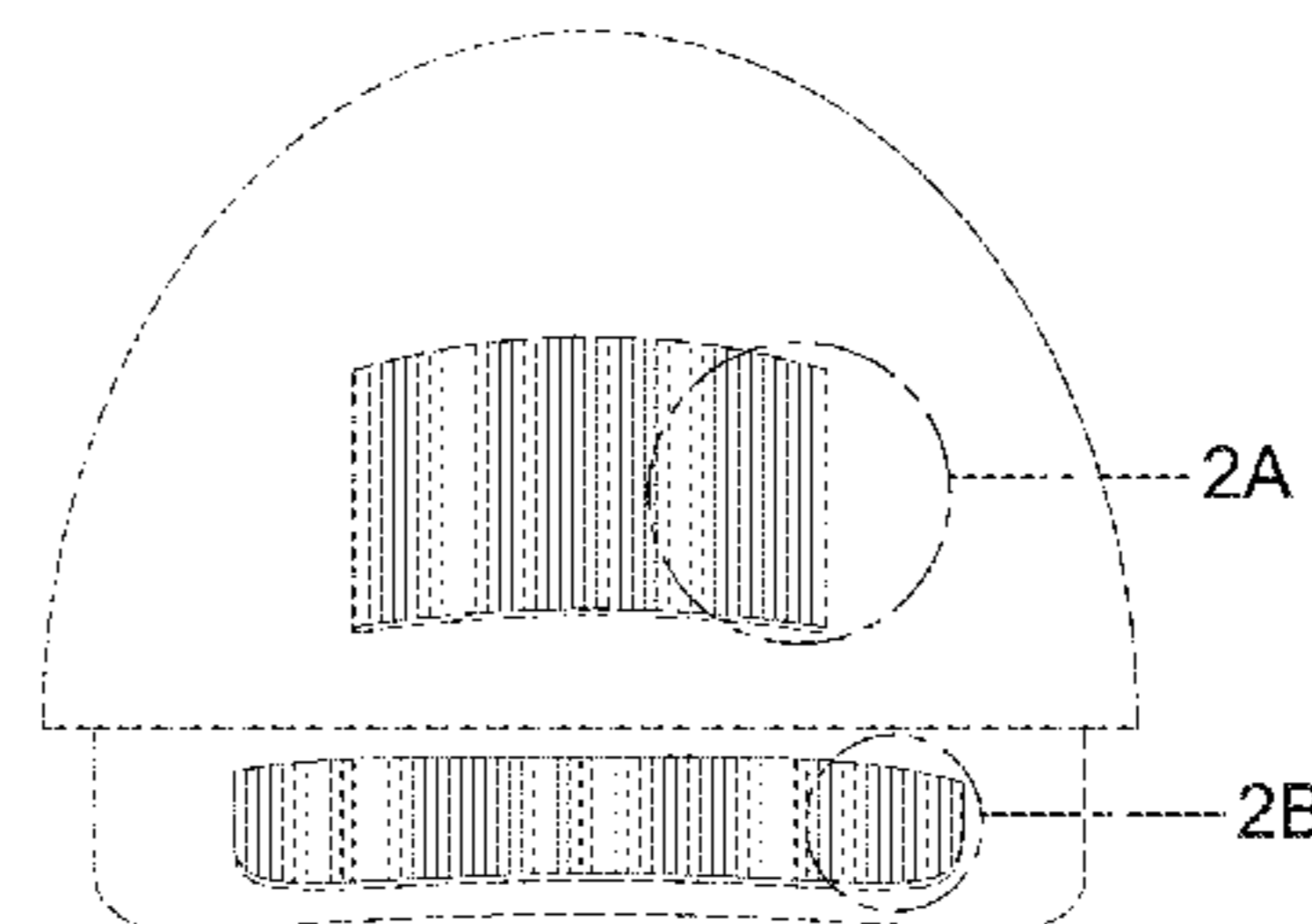
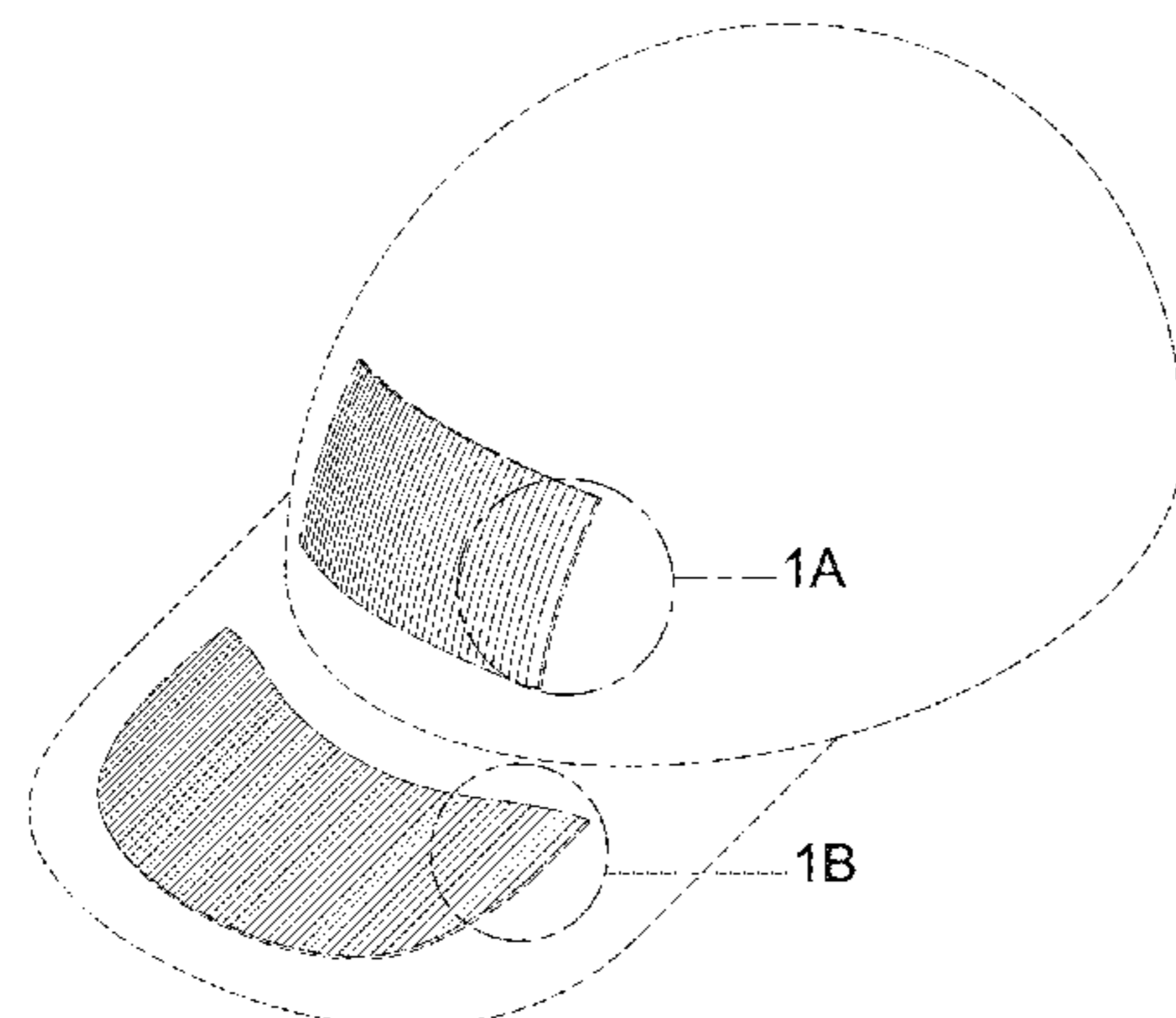
FIG. 6a is an isolated view on an enlarged scale taken from FIG. 6;

FIG. 6b is an isolated view on an enlarged scale taken from FIG. 6; and,

FIG. 7 is a bottom plan view thereof.

In the drawings, the broken lines represent environmental structure that form no part of the claimed design. Likewise, the dash-dot-dot lines represent boundary line that form no part of the claimed design.

1 Claim, 17 Drawing Sheets



(56)

References Cited

U.S. PATENT DOCUMENTS

D336,969 S *	7/1993	Mullendore	D2/866	D668,064 S *	10/2012	Franco	D5/64
5,359,733 A *	11/1994	Brannon	A42B 1/248	D699,928 S *	2/2014	Tien	D2/882
				2/195.1	8,804,987 B2 *	8/2014	Lee	A42B 1/245
D401,738 S *	12/1998	Scerbo	D2/882					2/175.1
D405,239 S *	2/1999	Kostinko	D2/882	8,964,297 B2 *	2/2015	Hoffman	B65D 33/04
D407,890 S *	4/1999	Frank	D2/866					359/454
D427,068 S *	6/2000	Hierzer	D9/436	9,101,174 B2 *	8/2015	Waters	A42B 1/004
D429,895 S *	8/2000	Bravenec	D16/130	2006/0278109 A1 *	12/2006	Johnson	B41F 15/02
D474,000 S *	5/2003	O'Dell	D2/882					101/415.1
6,781,761 B2 *	8/2004	Raymond	B44F 1/06	2009/0144882 A1 *	6/2009	Neri	G09F 21/02
				359/455					2/209.13
D543,014 S *	5/2007	Sharpe	D2/884	2010/0095431 A1 *	4/2010	Liao	A42B 1/244
7,465,369 B2 *	12/2008	Raymond	B29C 67/0048					2/209.13
				156/196	2010/0313334 A1 *	12/2010	Moy	A42B 1/248
7,490,364 B2 *	2/2009	Kim	A42B 1/248					2/209.13
				2/209.13	2011/0067168 A1 *	3/2011	Steiner	A42B 1/248
D603,585 S *	11/2009	Capriola	D2/866					2/209.13
D630,824 S *	1/2011	Thomas	D2/893	2011/0116673 A1 *	5/2011	Lewis	A42B 1/245
D635,336 S *	4/2011	Alger	D2/866					381/376
8,008,564 B2 *	8/2011	Wilens	A42B 1/245	2014/0053318 A1 *	2/2014	Fitzgerald	A42B 1/006
				84/600					2/209.13
D647,286 S *	10/2011	Malek	D2/866	2014/0173807 A1 *	6/2014	Waters	A42B 1/244
									2/209.13
					2015/0033445 A1 *	2/2015	Warner	A42B 1/248
									2/209.13

* cited by examiner

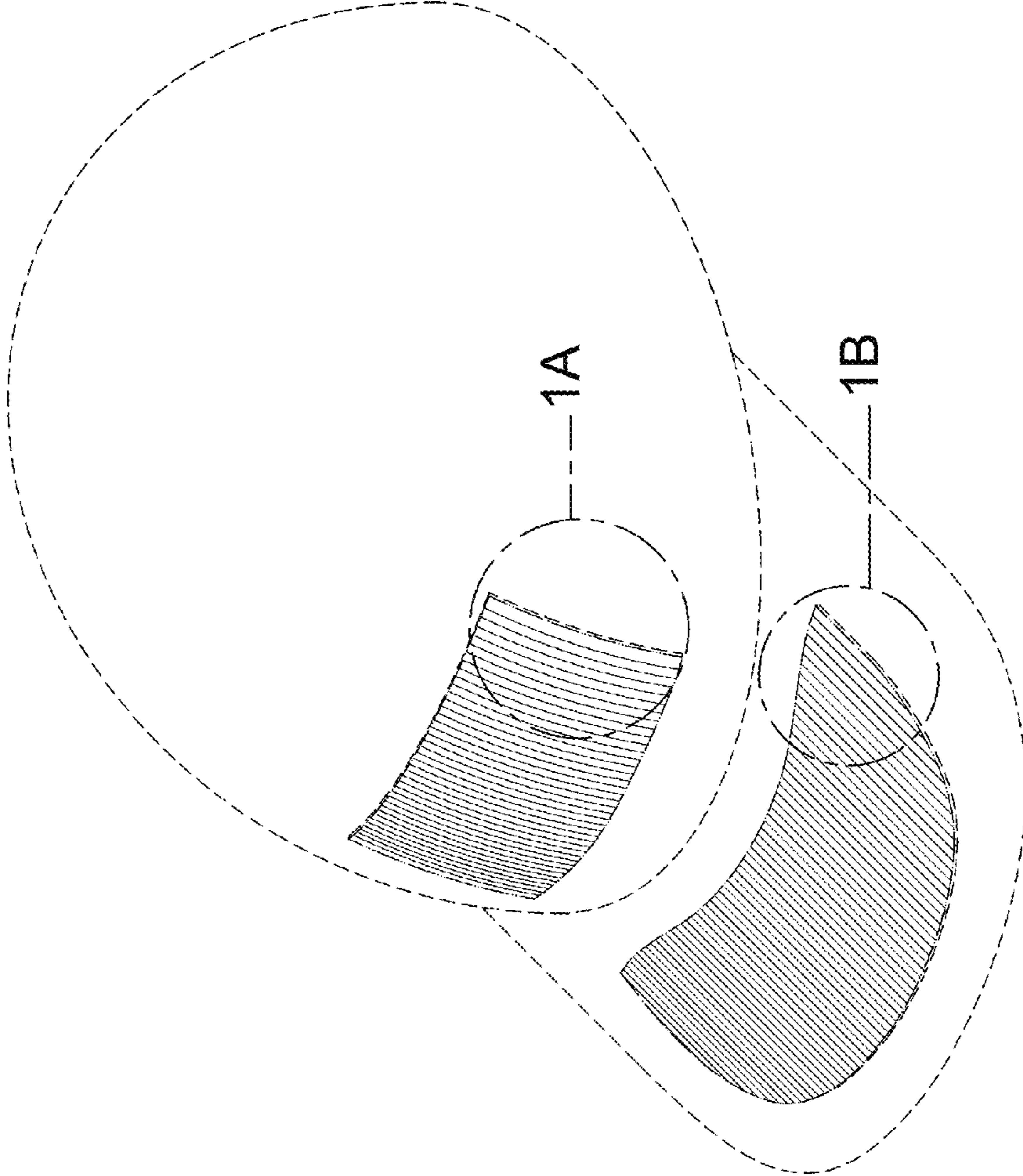


FIG. 1

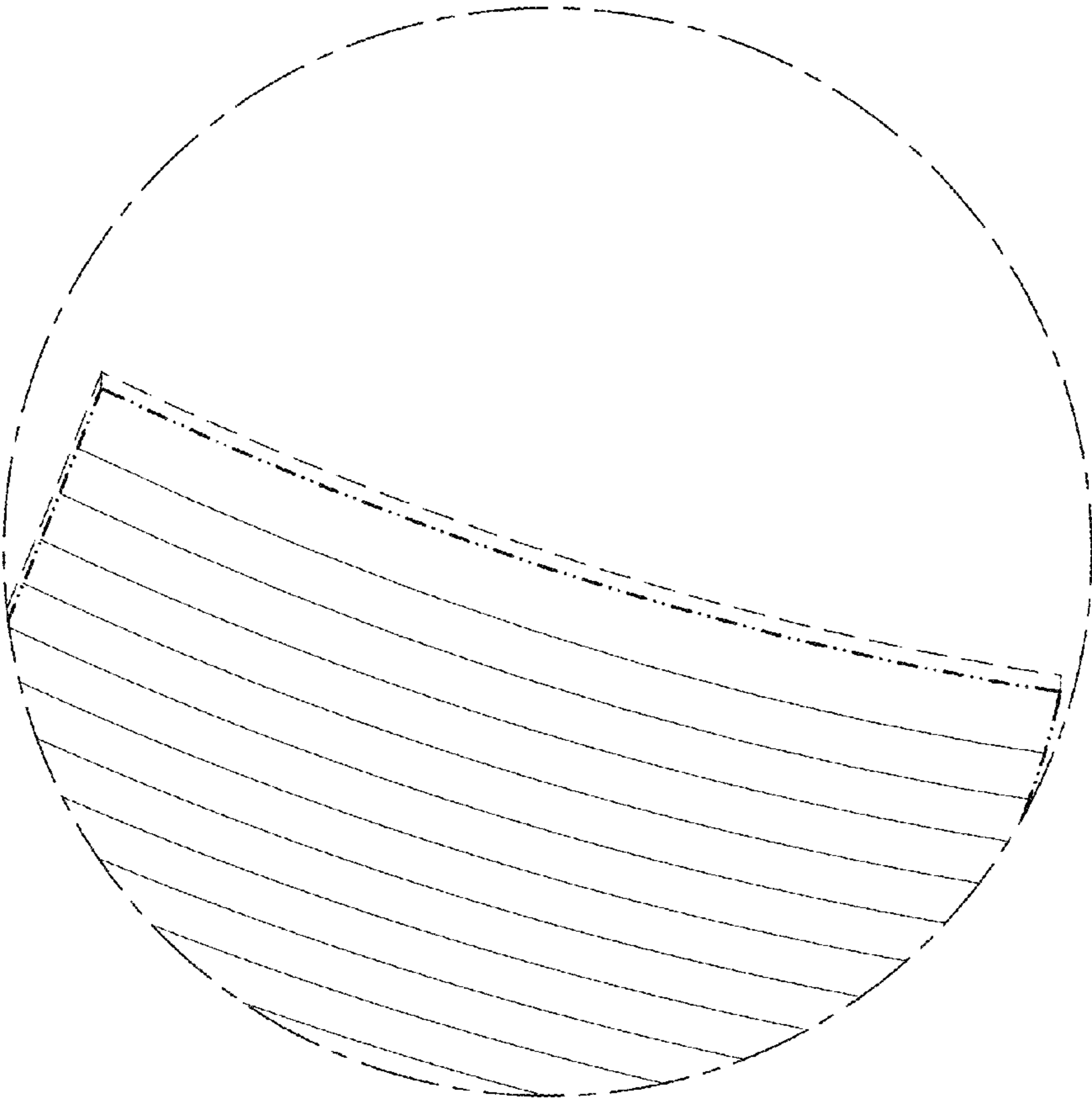


FIG. 1A

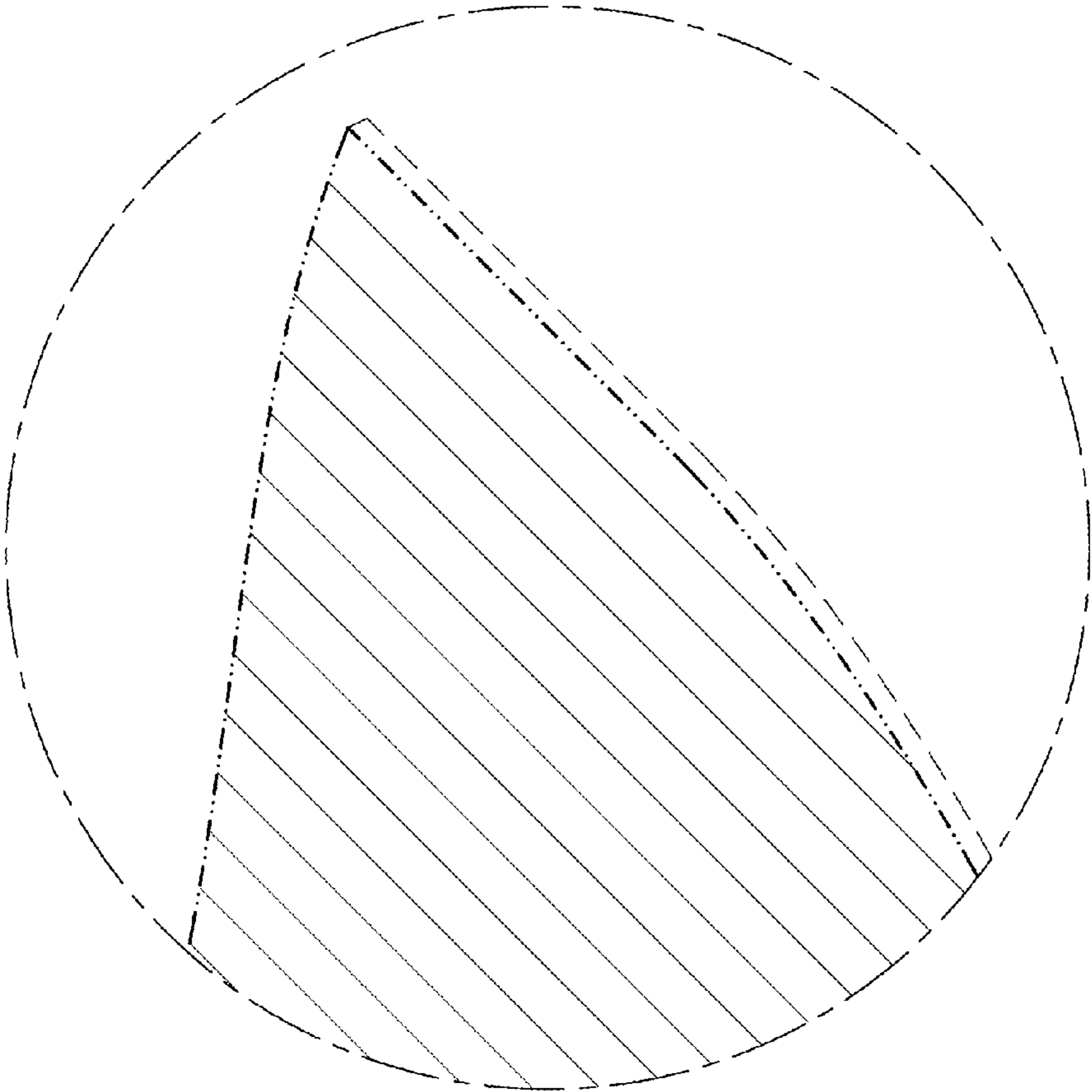


FIG. 1B

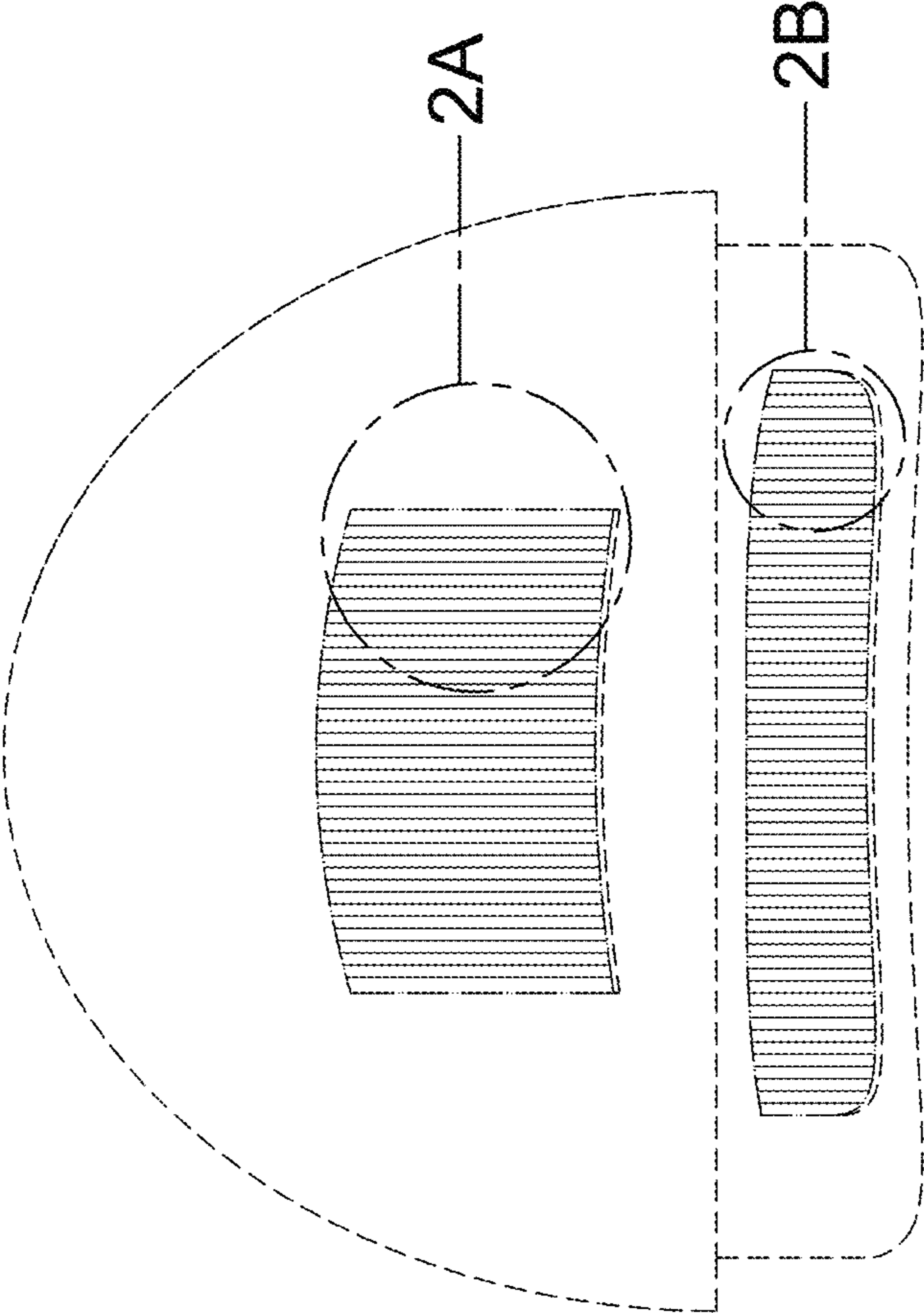


FIG. 2

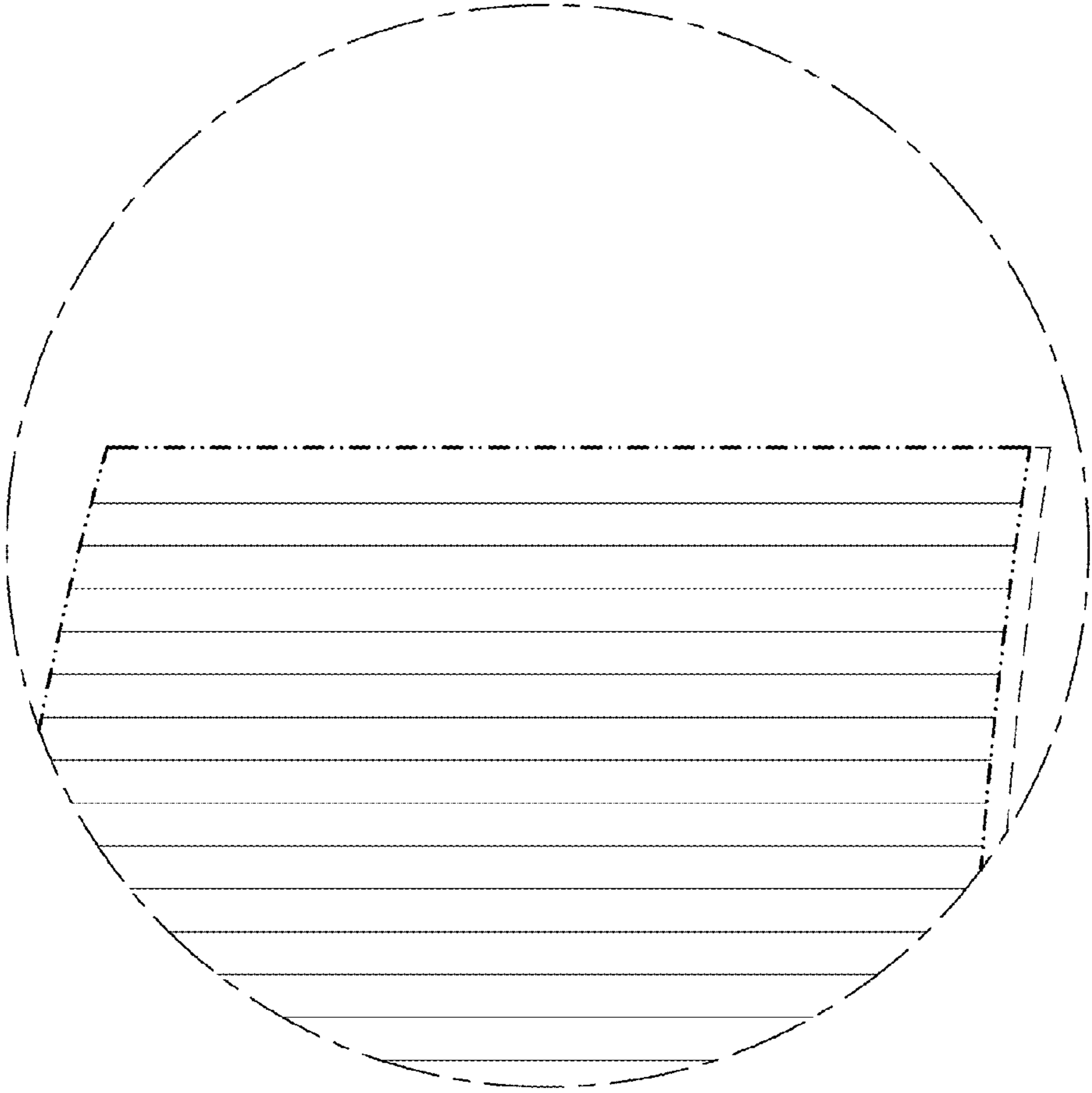


FIG. 2A

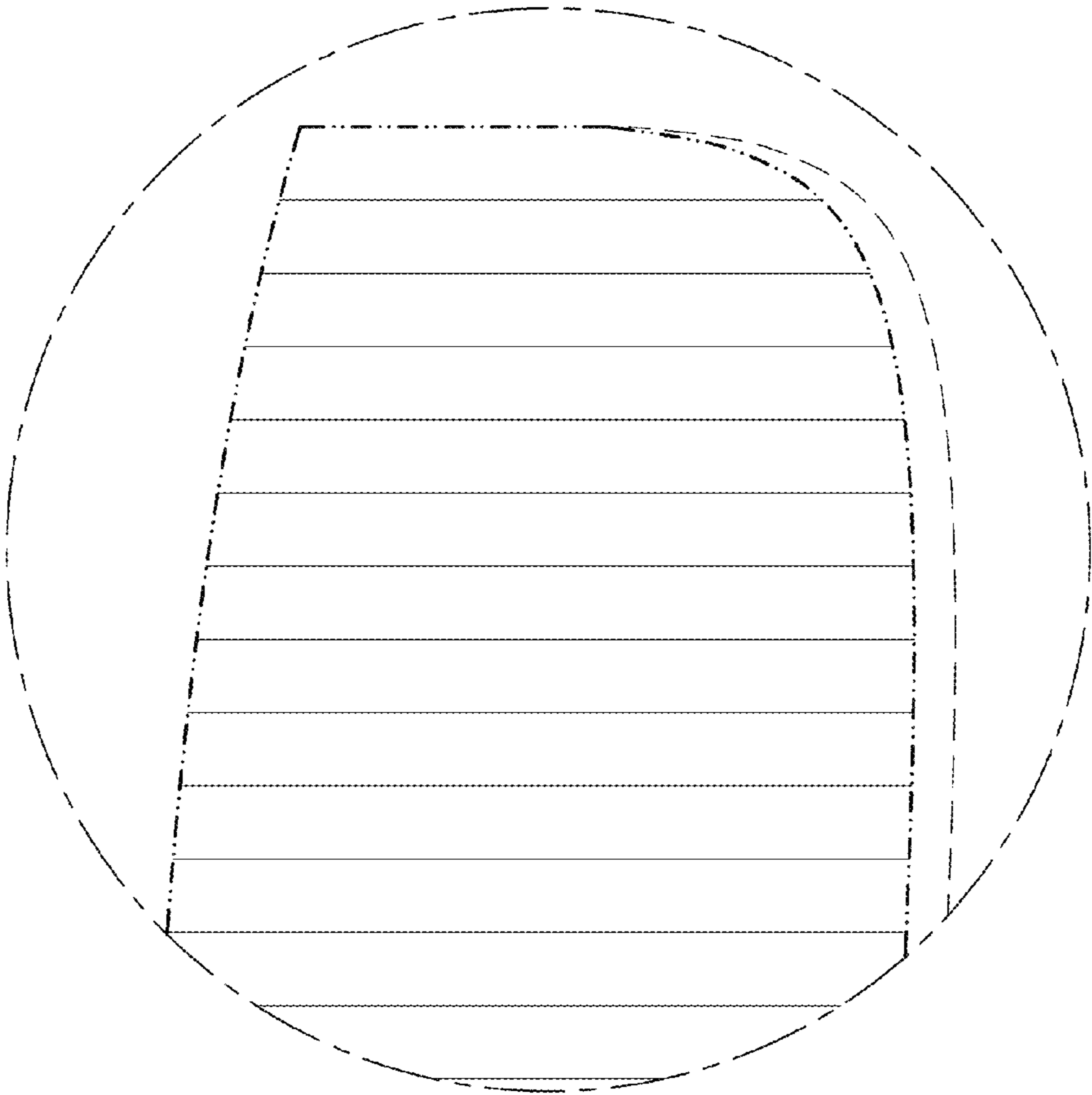


FIG. 2B

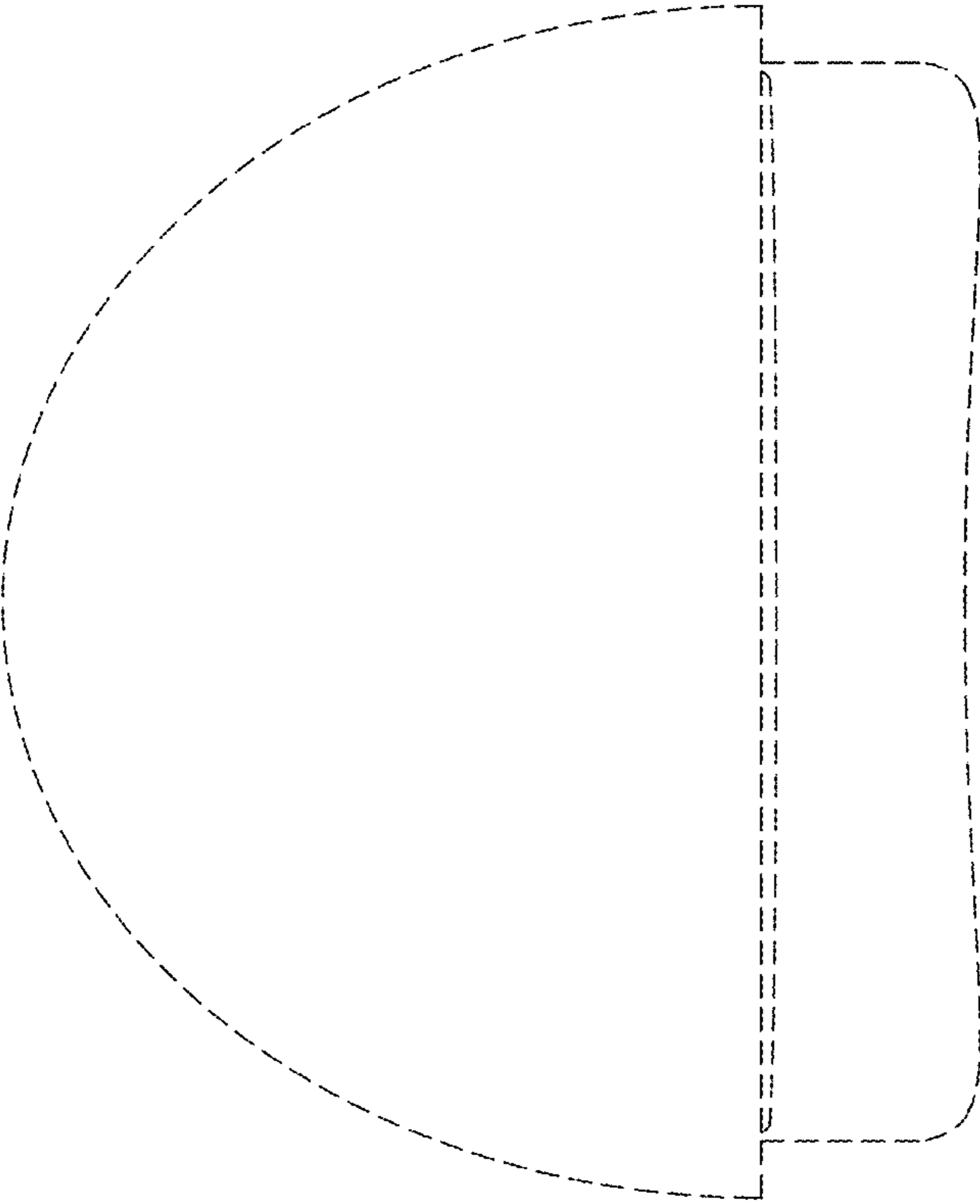


FIG. 3

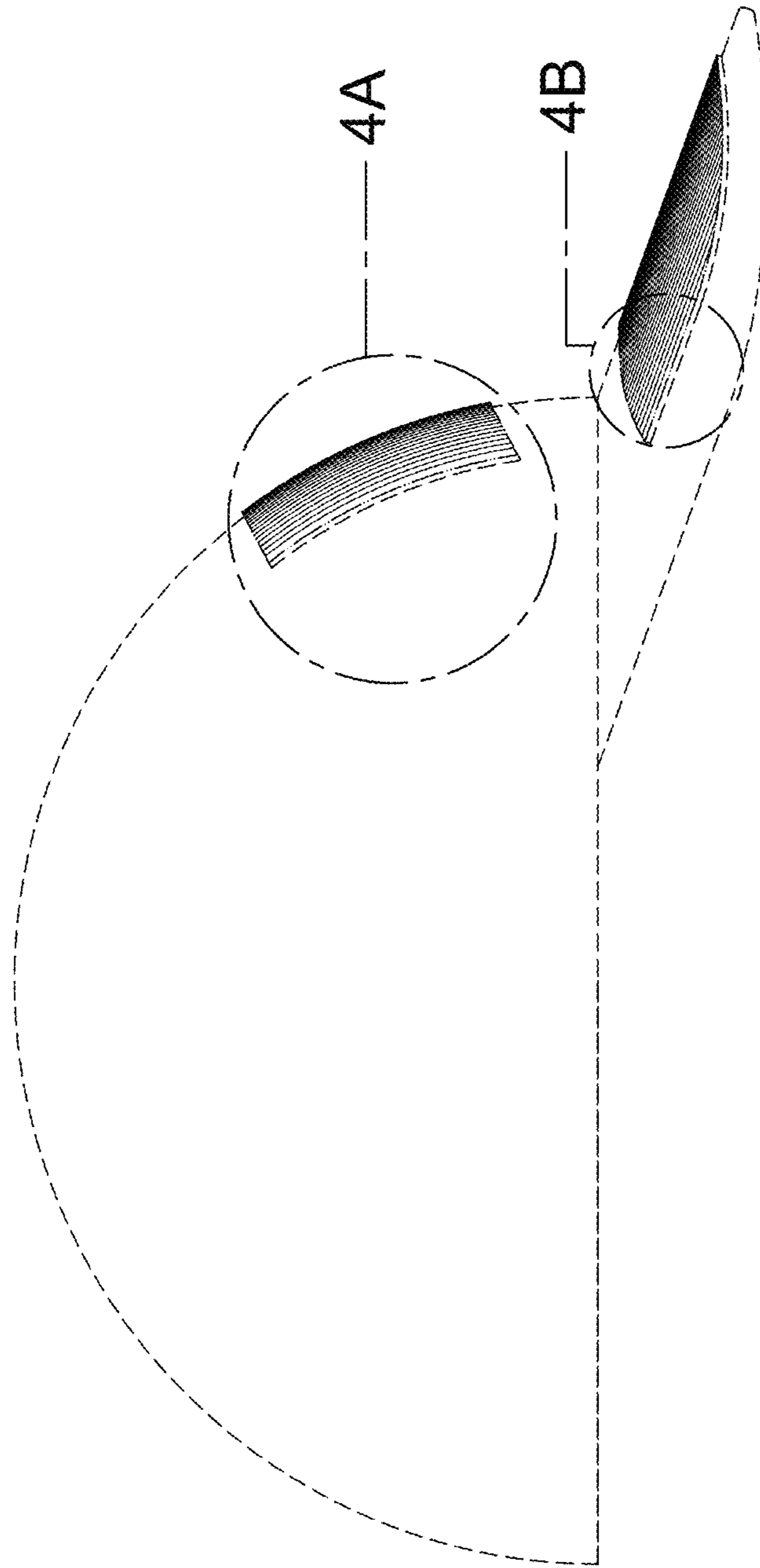


FIG. 4

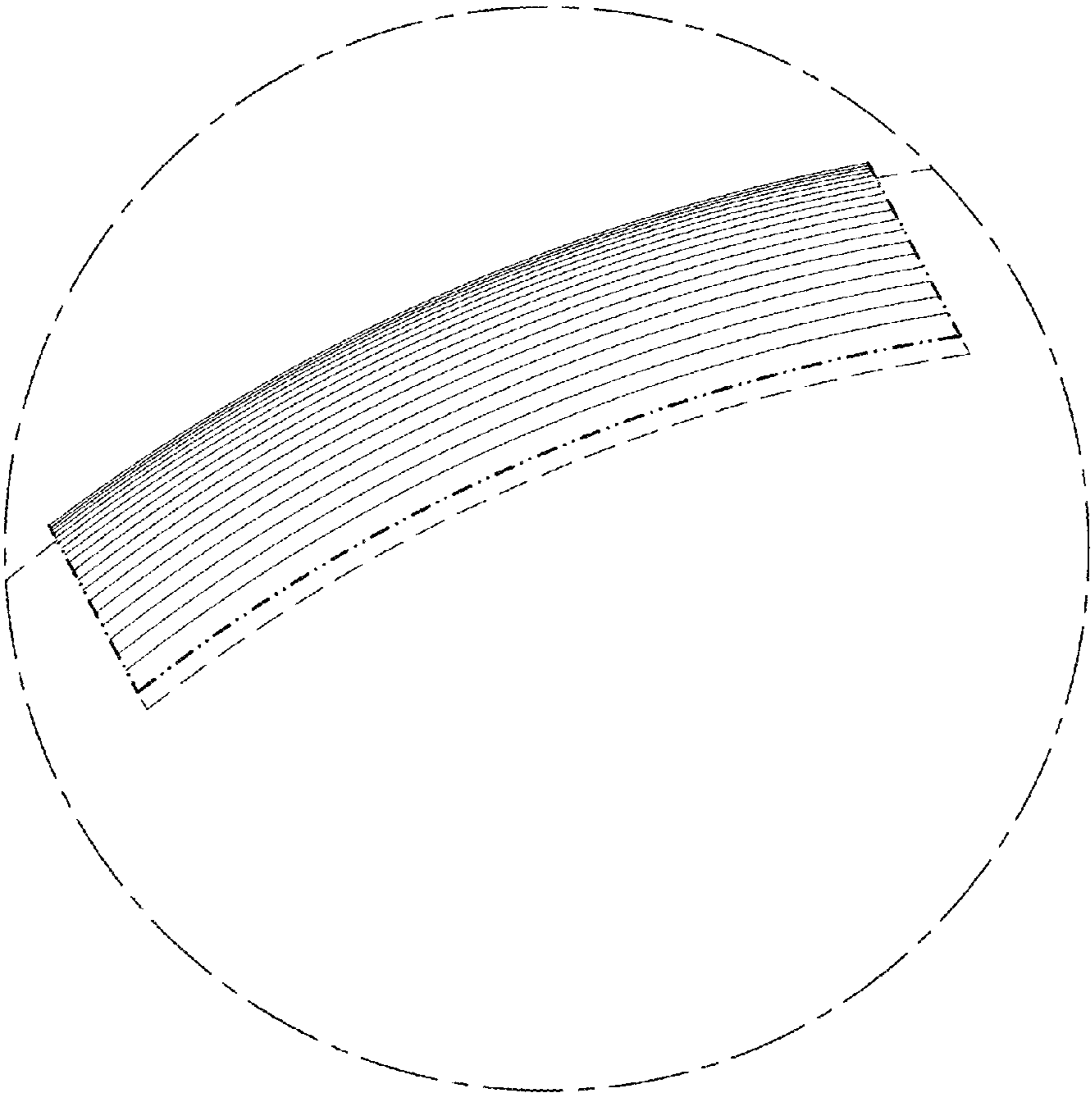


FIG. 4A

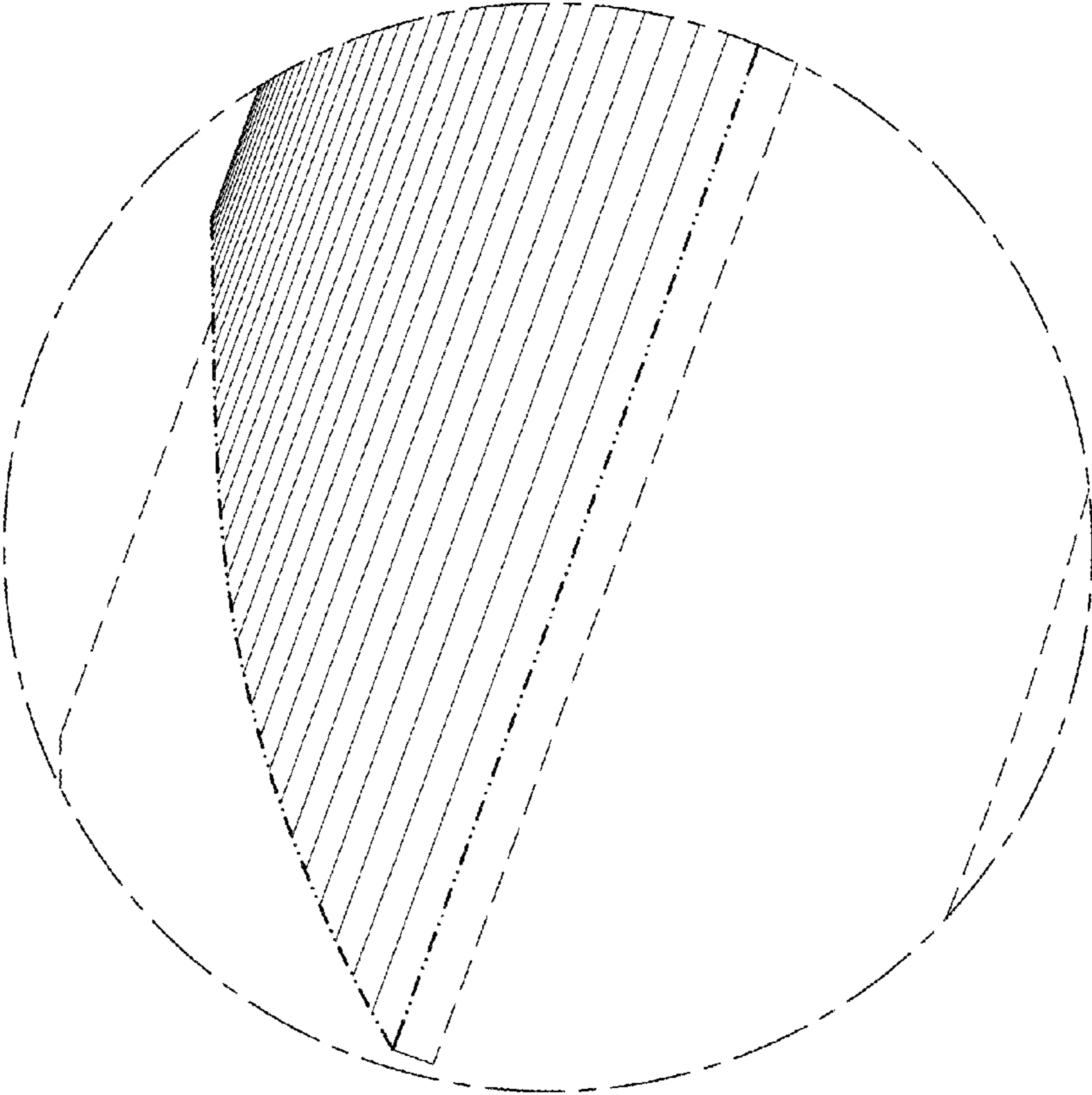


FIG. 4B

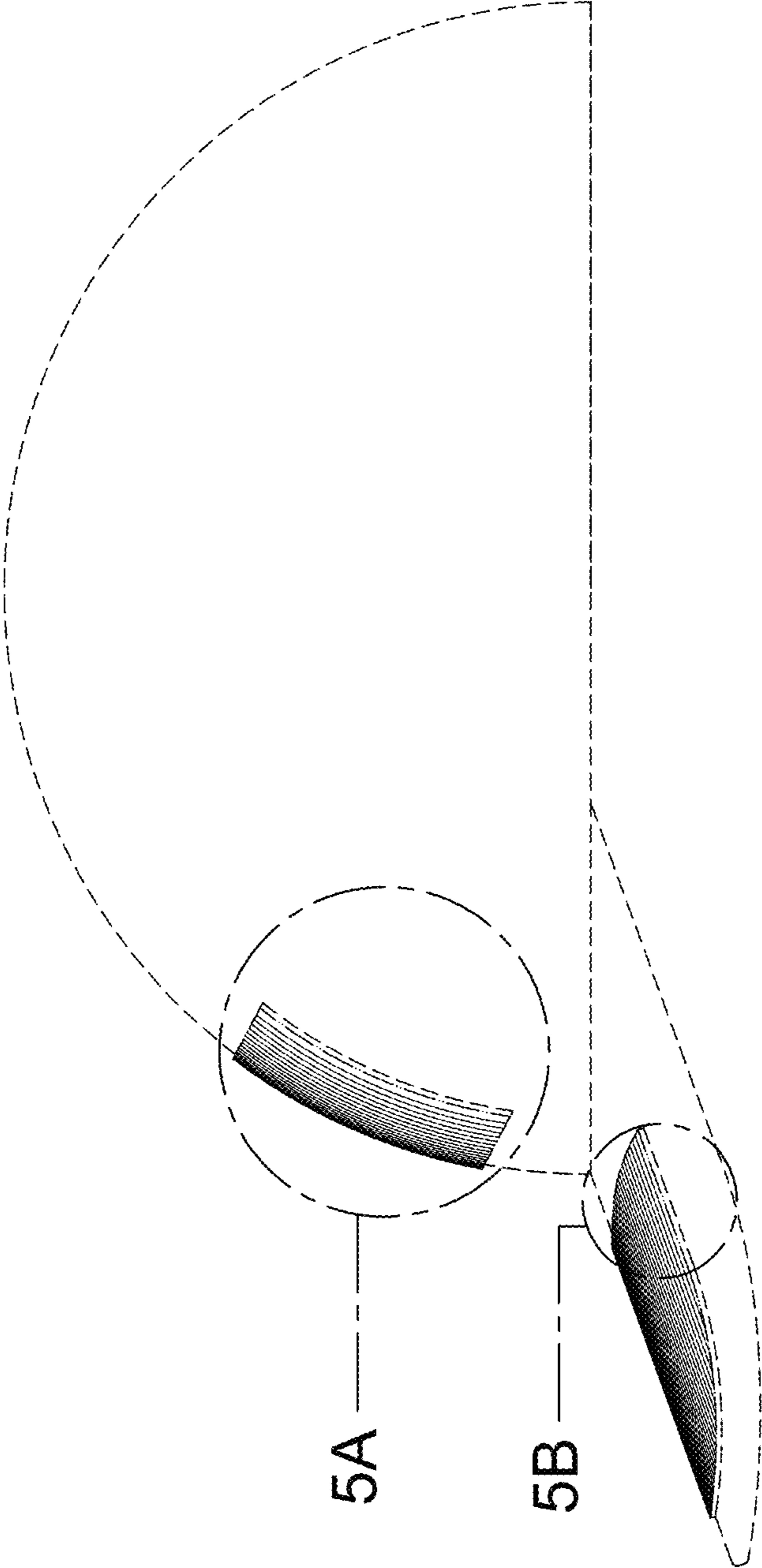


FIG. 5

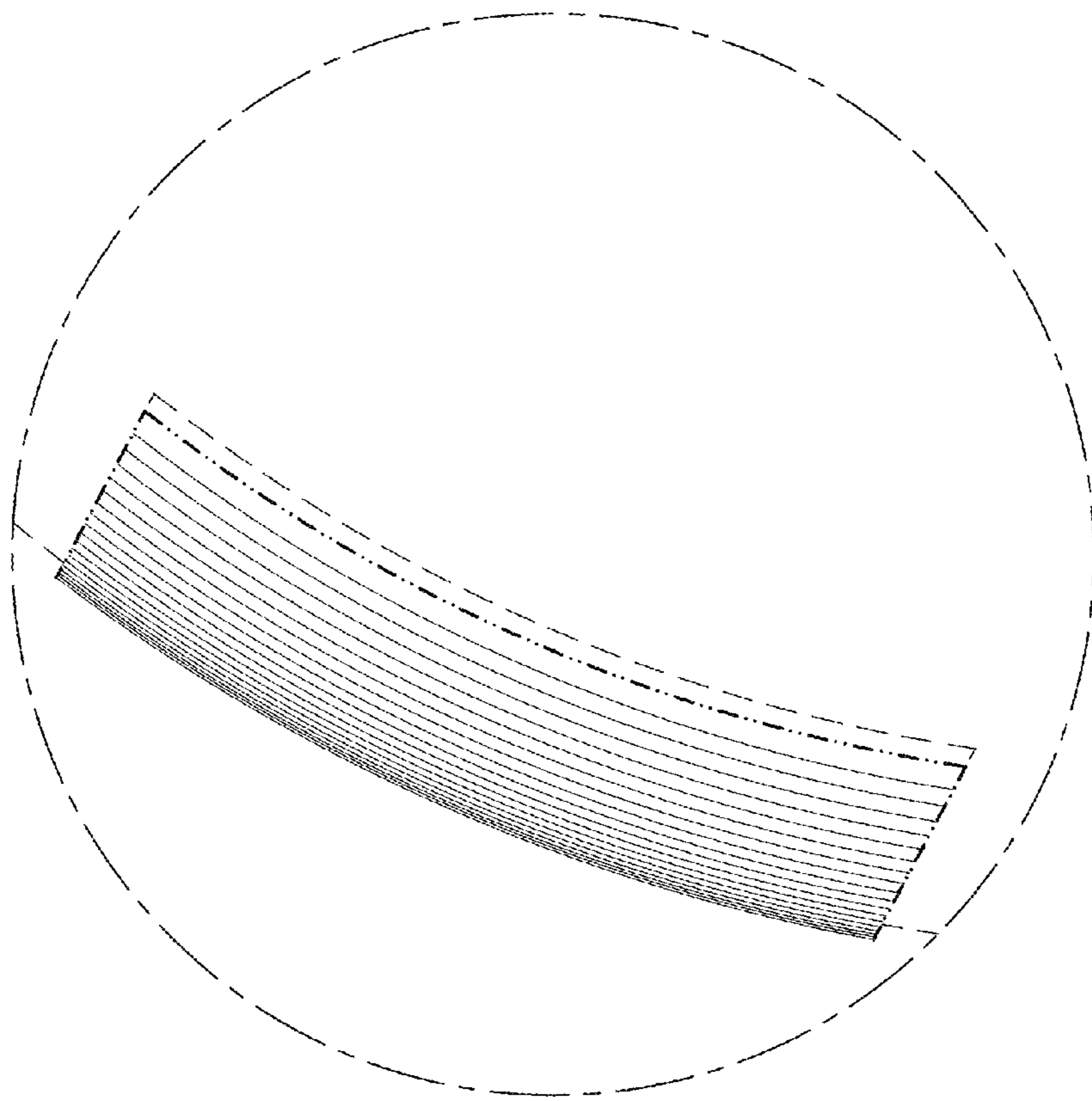


FIG. 5A

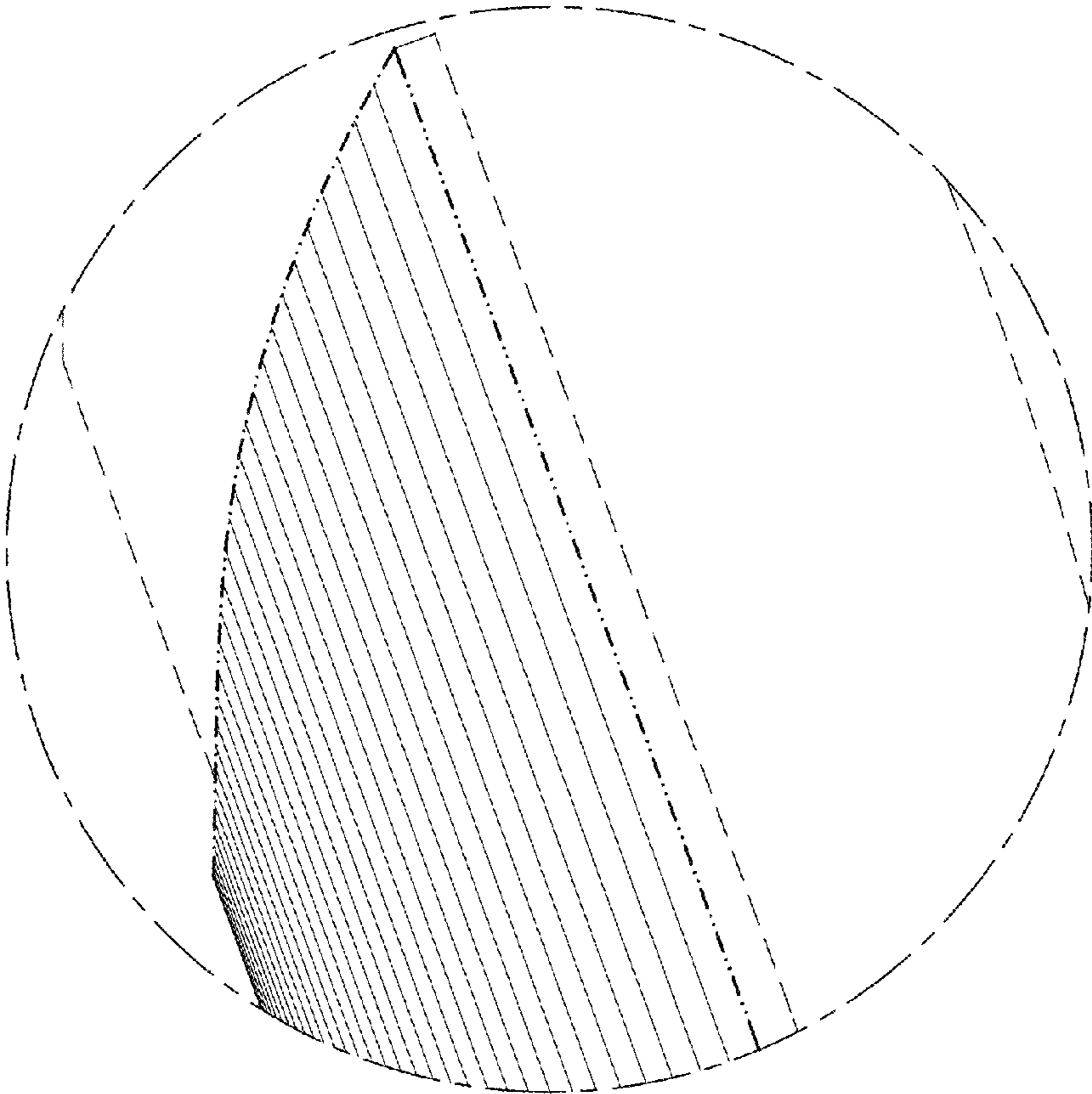


FIG. 5B

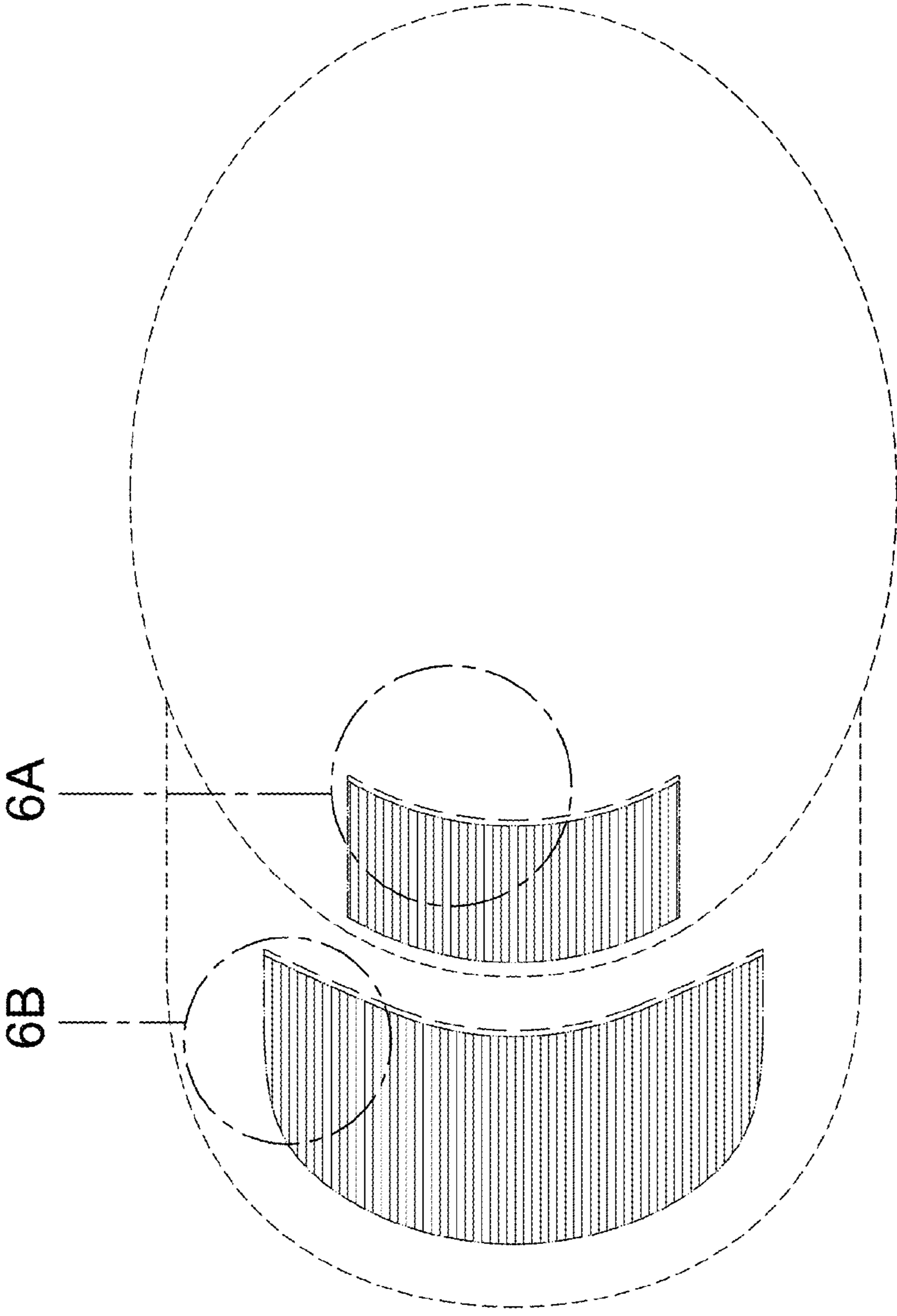


FIG. 6

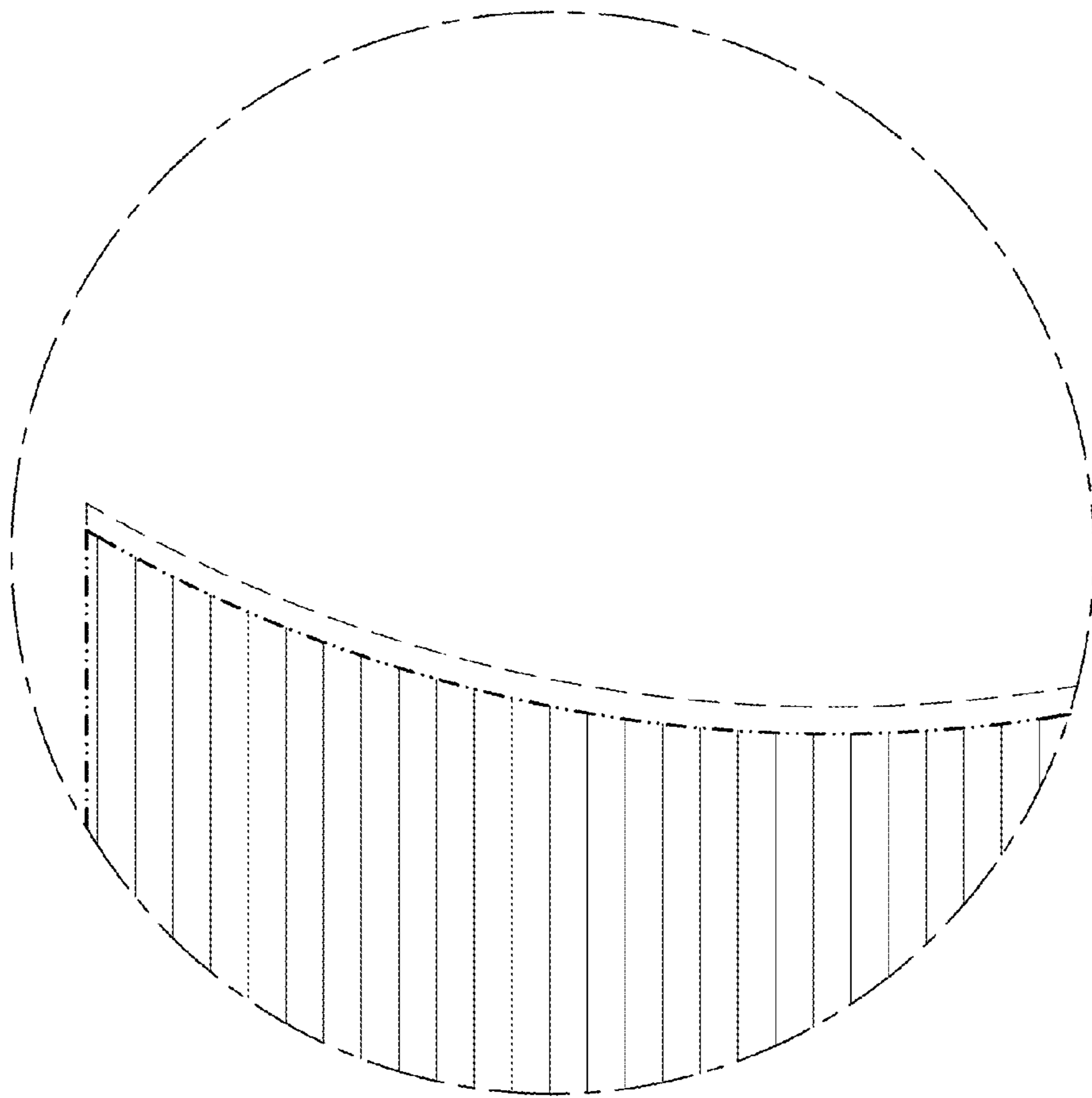


FIG. 6A

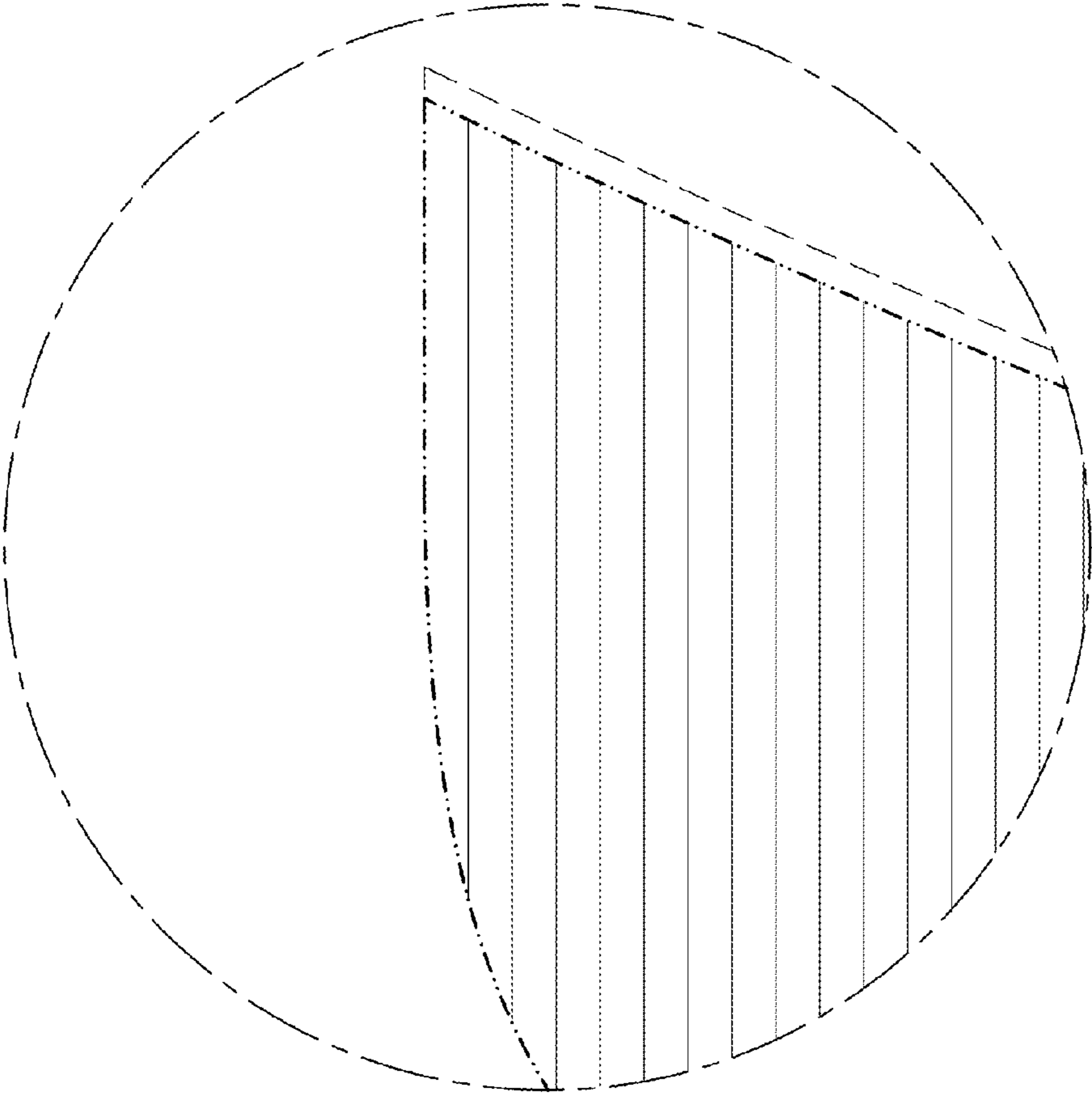


FIG. 6B

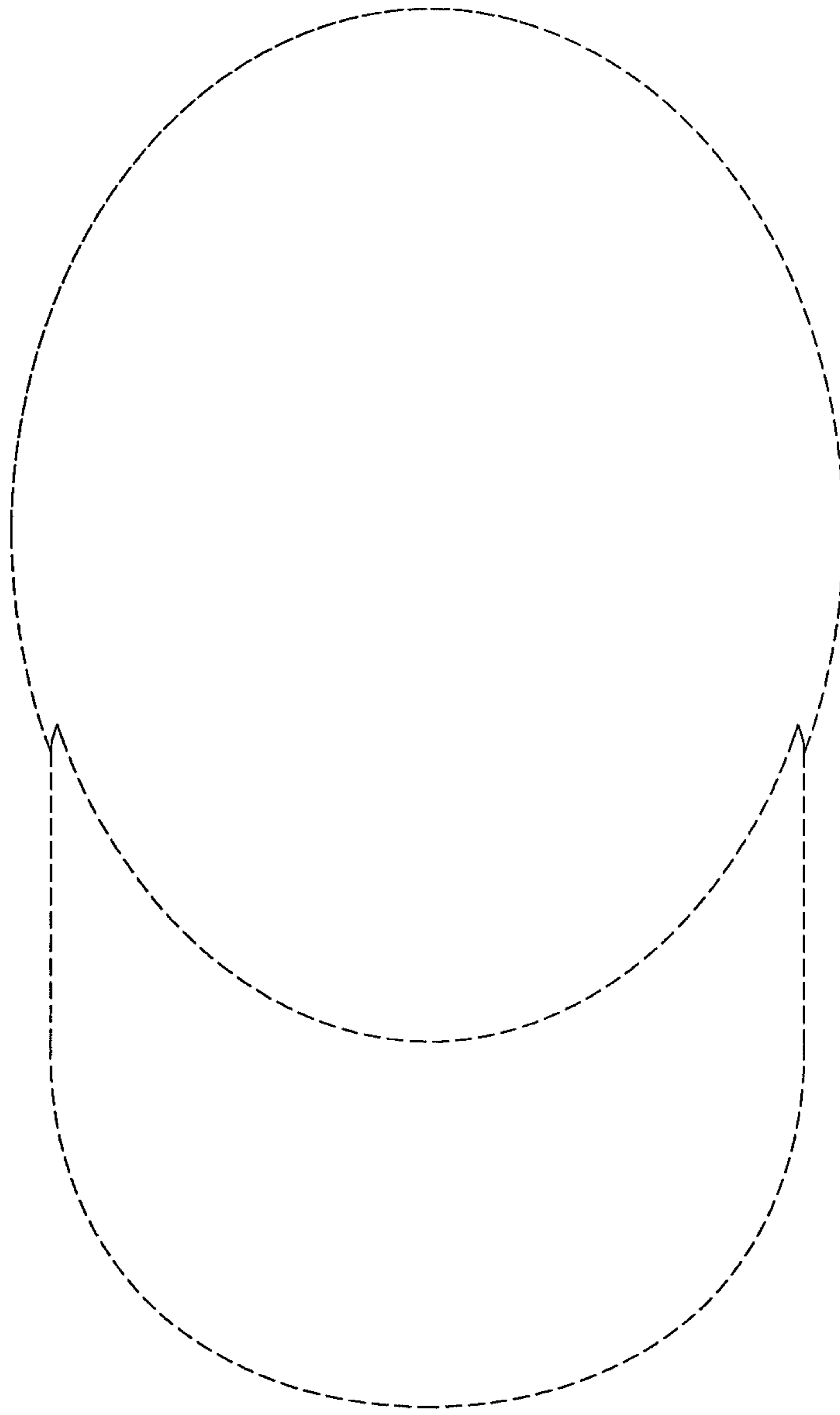


FIG. 7