



US00D751795S

(12) **United States Design Patent**
Zenoff

(10) **Patent No.:** **US D751,795 S**
(45) **Date of Patent:** **** Mar. 22, 2016**

(54) **SUN HAT WITH A RECTANGULAR-SHAPED ELECTRONIC DISPLAY**

(71) Applicant: **Andrew Zenoff**, San Anselmo, CA (US)

(72) Inventor: **Andrew Zenoff**, San Anselmo, CA (US)

(73) Assignee: **Beam Authentic, LLC**, San Anselmo, CA (US)

(**) Term: **14 Years**

(21) Appl. No.: **29/500,399**

(22) Filed: **Aug. 25, 2014**

(51) **LOC (10) Cl.** **02-03**

(52) **U.S. Cl.**
USPC **D2/886; D2/866**

(58) **Field of Classification Search**
USPC D2/865, 866, 869, 870, 873, 878, 883, D2/886, 887, 890, 891, 892, 893, 895; D21/386; D6/300; D11/75, 86, 132, D11/140; D14/125, 126, 300, 341, 371, D14/374, 448, 450, 507; D26/39; D29/102, D29/103, 104, 122
CPC A42B 1/00; A42B 1/06; A42B 1/14; A42B 1/18; A42B 7/00; A42B 1/064; A42B 1/066; A42B 1/201; A42B 1/247; G02B 27/017; G02B 27/0172; G02B 2027/0174; G02B 23/125; G09F 21/02; G09F 2021/023
See application file for complete search history.

(56) **References Cited**

U.S. PATENT DOCUMENTS

65,871 A * 6/1867 Browne A42B 1/247 2/10
260,332 A 6/1882 Simonson
1,190,427 A 7/1916 Kromer, Jr.
1,215,311 A 2/1917 Thomas
D58,303 S 7/1921 Kate
1,427,891 A 9/1922 Ziegler
D62,863 S 8/1923 Isaac

1,481,975 A 1/1924 Bender
D64,441 S 4/1924 Henry
1,502,160 A 7/1924 Reinthal
D66,331 S * 12/1924 Pegg D2/877
1,560,073 A * 11/1925 Bontempi A42B 1/18 2/171.02
1,566,663 A 12/1925 Finkelstein
1,582,812 A 4/1926 Avin

(Continued)

FOREIGN PATENT DOCUMENTS

CN 203327079 U 12/2013
WO WO-2012061438 A2 5/2012
WO WO-2014054211 A1 4/2014

OTHER PUBLICATIONS

U.S. Appl. No. 29/499,861, filed Aug. 19, 2014, Zenoff.
(Continued)

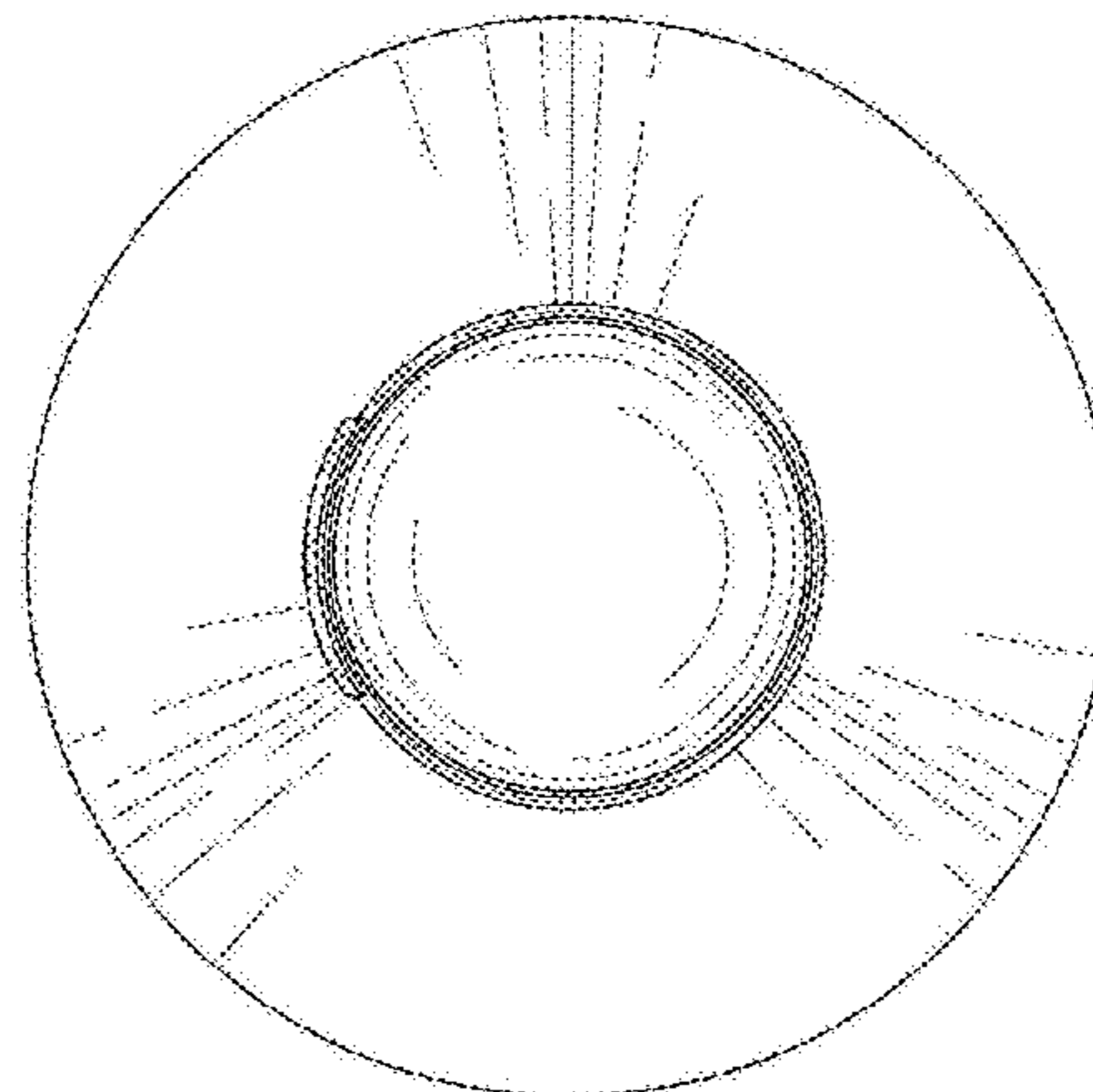
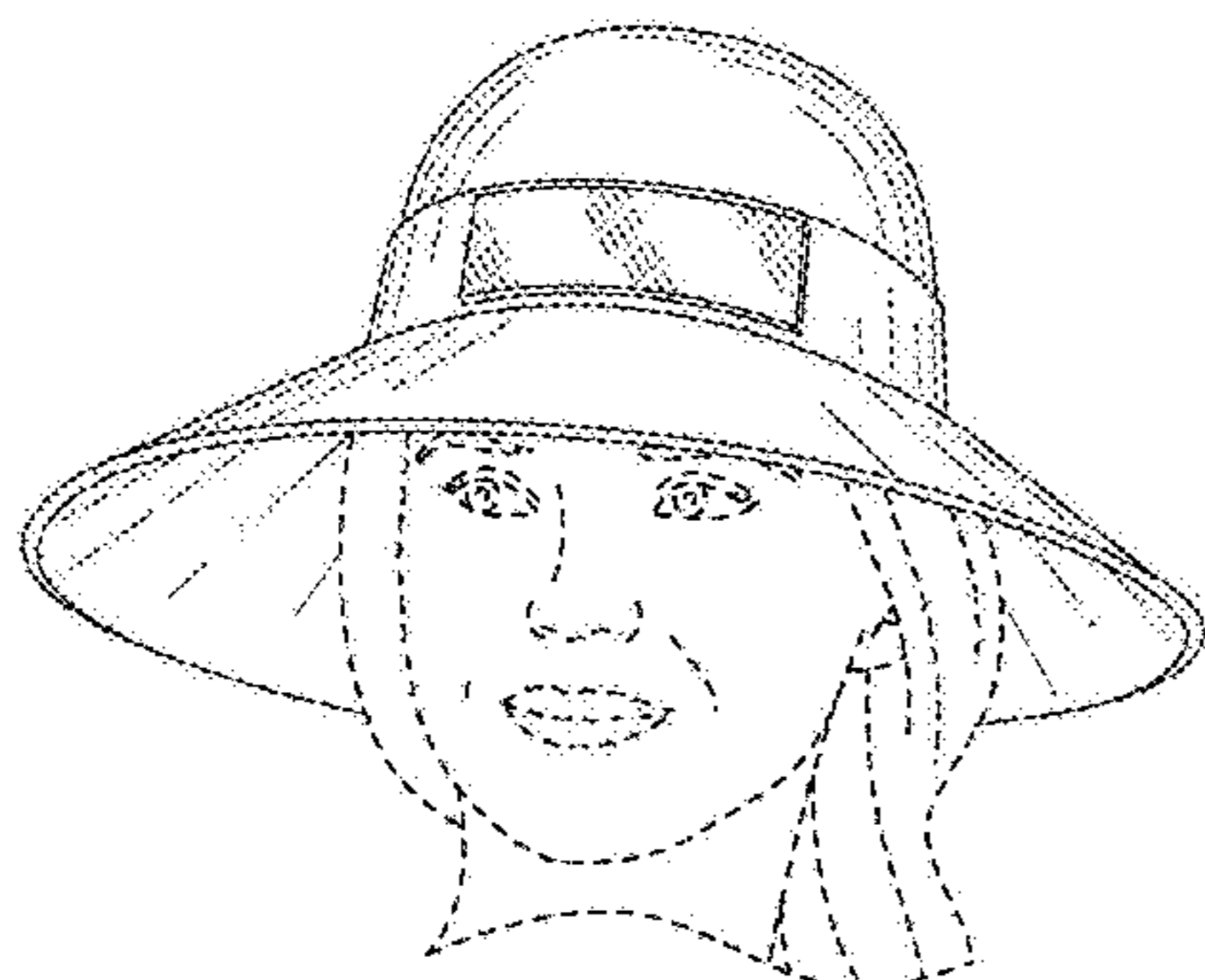
Primary Examiner — Karen E. Eldridge Powers
Assistant Examiner — Jasmine Mlinarcik
(74) *Attorney, Agent, or Firm* — Wilson Sonsini Goodrich & Rosati

(57) **CLAIM**
The ornamental design for a sun hat with a rectangular-shaped electronic display, as shown.

DESCRIPTION

FIG. 1 shows a perspective view of a sun hat with a rectangular-shaped electronic display;
FIG. 2 shows a front elevation view of the sun hat with a rectangular-shaped electronic display;
FIG. 3 shows a side elevation view of the sun hat with a rectangular-shaped electronic display; and,
FIG. 4 shows a top plan view of the sun hat with a rectangular-shaped electronic display.
The partial human figure depicted by broken lines illustrates how the claimed design may appear when worn and forms no part of the claimed design.

1 Claim, 2 Drawing Sheets



(56)

References Cited

U.S. PATENT DOCUMENTS

1,606,798 A	11/1926	Karger		D577,879 S	10/2008	Jones	
1,616,475 A	2/1927	Tracey		7,490,364 B2	2/2009	Kim	
D79,398 S *	9/1929	Wittcoff	D2/873	D600,879 S	9/2009	Accardi	
D115,046 S *	5/1939	Marks	D2/877	D603,144 S	11/2009	South	
D130,393 S *	11/1941	Maxwell	D2/888	D603,585 S	11/2009	Capriola	
2,682,667 A	7/1954	Michelstetter		7,621,000 B1	11/2009	Fulton	
3,346,153 A	10/1967	Galasso		D607,627 S	1/2010	Kowalczyk	
3,895,797 A	7/1975	Moore		D608,531 S	1/2010	Kronenberger	
D251,336 S	3/1979	Getgey		D621,590 S	8/2010	Martin	
D263,092 S	2/1982	Fay		D624,286 S	9/2010	Hall	
4,535,478 A	8/1985	Zuefle		D625,082 S	10/2010	Jones	
4,710,981 A	12/1987	Sanchez		D630,822 S	1/2011	Thomas	
4,827,384 A	5/1989	Von Schlemmer		D635,336 S	4/2011	Alger	
4,834,688 A	5/1989	Jones		D635,976 S	4/2011	Lee et al.	
4,873,726 A	10/1989	Tapia		D636,562 S	4/2011	Lam et al.	
4,924,613 A	5/1990	Levin		7,974,432 B1	7/2011	Ryan	
5,054,127 A	10/1991	Zevchak		7,992,224 B2	8/2011	Tai	
5,167,559 A	12/1992	Power-Fardy		D647,286 S	10/2011	Malek	
D333,030 S	2/1993	Wilkes		D649,744 S	12/2011	Weinshanker	
D350,221 S	9/1994	Van Doren		D659,351 S	5/2012	Benkendorfer	
5,359,733 A	11/1994	Brannon et al.		D660,554 S	5/2012	Blackshear	
5,437,062 A	8/1995	Douglas		D670,068 S	11/2012	Bomze	
5,452,479 A	9/1995	Mostert		D671,716 S	12/2012	Lam et al.	
5,454,120 A	10/1995	Rowlands		8,364,220 B2	1/2013	Sandmore	
5,462,471 A	10/1995	Power-Fardy		8,453,265 B2	6/2013	Forte et al.	
5,465,426 A	11/1995	Beaton		8,458,820 B2	6/2013	Cleva	
5,548,847 A	8/1996	Spicijaric		8,626,586 B1	1/2014	Biere et al.	
5,621,914 A	4/1997	Ramone et al.		D699,928 S	2/2014	Tien	
5,632,044 A	5/1997	Sloot		D701,504 S	3/2014	Christopher et al.	
D383,892 S	9/1997	Virzi		8,677,515 B2	3/2014	Ishihara et al.	
D396,546 S	8/1998	Marrs		D703,069 S	4/2014	Adams et al.	
D397,239 S	8/1998	Marrs		D704,925 S	5/2014	Cho	
5,794,267 A	8/1998	Wallace		D705,527 S	5/2014	Clark	
D401,738 S	12/1998	Scerbo		D709,675 S	7/2014	Cho	
D403,491 S	1/1999	Wyatt et al.		D710,220 S	8/2014	Daniel	
D405,239 S	2/1999	Kostinko		D711,002 S	8/2014	Ohnemus et al.	
D406,687 S	3/1999	Thorpe		D712,635 S	9/2014	Rivas	
D407,190 S	3/1999	Day		D713,622 S	9/2014	Steel	
5,943,698 A	8/1999	Blanks, I		D714,031 S *	9/2014	Javits, Jr.	D2/886
5,960,476 A	10/1999	Danzy		8,869,312 B2	10/2014	Tuohy et al.	
D418,279 S	1/2000	Day		D717,019 S	11/2014	Van Dalen	
D424,282 S	5/2000	Crumpton et al.		D718,731 S	12/2014	Lee et al.	
D427,751 S	7/2000	Richlin		8,898,820 B2	12/2014	Sokolowski et al.	
6,154,992 A	12/2000	Lee		D721,874 S *	2/2015	Robbins	D2/886
D438,374 S	3/2001	Hayman		8,950,012 B2	2/2015	Ilges et al.	
D444,618 S	7/2001	Wilson		D729,650 S	5/2015	Phillips et al.	
D447,318 S	9/2001	Gath		D733,130 S	6/2015	Kim et al.	
D452,767 S	1/2002	Balloni et al.		D734,329 S	7/2015	Lee	
D459,059 S	6/2002	Park		D736,768 S	8/2015	Kuwabara et al.	
6,408,443 B1	6/2002	Park		2001/0034894 A1	11/2001	Godfrey et al.	
D460,604 S	7/2002	Sullivan, Jr.		2003/0073412 A1	4/2003	Meade	
6,470,499 B1	10/2002	Joiner		2003/0221234 A1	12/2003	Wang	
D472,695 S	4/2003	Lee		2004/0221368 A1	11/2004	Okot	
D473,039 S	4/2003	Erspamer		2005/0132470 A1	6/2005	Wong	
D482,185 S	11/2003	Park		2006/0112707 A1	6/2006	Tu	
D483,173 S	12/2003	Harris et al.		2006/0117458 A1	6/2006	Ishihara et al.	
D483,928 S	12/2003	Mansell et al.		2006/0206985 A1	9/2006	Proctor	
6,751,805 B1	6/2004	Austion		2006/0209218 A1	9/2006	Lee et al.	
D494,745 S	8/2004	Kronenberger		2007/0056078 A1	3/2007	Tseng	
D496,146 S	9/2004	Appleberry		2007/0182664 A1 *	8/2007	Himmele	A42B 1/248 345/8
D496,775 S	10/2004	Tanner		2007/0247312 A1	10/2007	Sekine	
6,810,533 B1	11/2004	Nahabedian et al.		2008/0000013 A1	1/2008	Talley	
6,820,281 B2	11/2004	Mariland et al.		2009/0251888 A1	10/2009	Douglas	
D502,589 S	3/2005	Lee		2009/0310290 A1	12/2009	Tennent	
D509,947 S	9/2005	Fortune		2010/0058514 A1	3/2010	Koh	
6,948,189 B2	9/2005	Early		2010/0095573 A1	4/2010	Lifshitz	
D517,283 S	3/2006	Shin et al.		2010/0100004 A1	4/2010	Van Someren	
D523,612 S	6/2006	Steger		2010/0131613 A1	5/2010	Jonsson et al.	
D539,012 S	3/2007	Evans		2010/0299979 A1 *	12/2010	Lamere	A42B 1/248 40/329
D543,338 S	5/2007	Park		2010/0306808 A1	12/2010	Neumeier et al.	
7,219,374 B2	5/2007	Cho		2010/0313334 A1 *	12/2010	Moy	A42B 1/248 2/209.13
D558,431 S	1/2008	Pritchett		2011/0041238 A1	2/2011	Brzoska	
D558,955 S	1/2008	Taylor		2011/0094016 A1	4/2011	Paulson	
7,331,064 B1	2/2008	Quintal		2011/0187681 A1	8/2011	Kim et al.	
7,424,751 B1	9/2008	Miller		2011/0246908 A1	10/2011	Akram et al.	
				2011/0295749 A1	12/2011	Scalisi	

(56)

References Cited

U.S. PATENT DOCUMENTS

2012/0005809 A1 1/2012 Johnson
 2012/0089437 A1 4/2012 Amento et al.
 2012/0163269 A1 6/2012 Shuster et al.
 2012/0256902 A1 10/2012 Tam et al.
 2012/0264492 A1 10/2012 Stewart
 2012/0324076 A1 12/2012 Zerr et al.
 2013/0188322 A1 7/2013 Lowe
 2013/0222270 A1 8/2013 Winkler et al.
 2013/0333095 A1 12/2013 Dudick
 2014/0053316 A1* 2/2014 Su A42B 1/066
 2/172
 2014/0098009 A1 4/2014 Prest et al.
 2014/0111323 A1 4/2014 Strout et al.
 2014/0121539 A1 5/2014 Chatterjee et al.
 2014/0160055 A1 6/2014 Margolis et al.
 2014/0173807 A1 6/2014 Waters
 2014/0176417 A1 6/2014 Young et al.
 2015/0033445 A1 2/2015 Warner et al.
 2015/0096104 A1 4/2015 Kim
 2015/0146903 A1 5/2015 Mariasov
 2015/0164166 A1* 6/2015 Tsai A42C 1/00
 66/171
 2015/0250245 A1 9/2015 Waters

OTHER PUBLICATIONS

U.S. Appl. No. 29/499,864, filed Aug. 19, 2014, Zenoff.
 U.S. Appl. No. 29/499,867, filed Aug. 19, 2014, Zenoff.
 U.S. Appl. No. 29/499,866, filed Aug. 19, 2014, Zenoff.
 U.S. Appl. No. 29/500,139, filed Aug. 21, 2014, Zenoff.

U.S. Appl. No. 29/500,381, filed Aug. 25, 2014, Zenoff.
 U.S. Appl. No. 29/500,384, filed Aug. 25, 2014, Zenoff.
 U.S. Appl. No. 29/500,387, filed Aug. 25, 2014, Zenoff.
 U.S. Appl. No. 29/500,391, filed Aug. 25, 2014, Zenoff.
 U.S. Appl. No. 29/500,393, filed Aug. 25, 2014, Zenoff.
 U.S. Appl. No. 29/500,405, filed Aug. 25, 2014, Zenoff.
 U.S. Appl. No. 29/500,407, filed Aug. 25, 2014, Zenoff.
 U.S. Appl. No. 29/500,408, filed Aug. 25, 2014, Zenoff.
 U.S. Appl. No. 29/500,504, filed Aug. 26, 2014, Zenoff.
 U.S. Appl. No. 29/500,506, filed Aug. 26, 2014, Zenoff.
 U.S. Appl. No. 29/500,509, filed Aug. 26, 2014, Zenoff.
 U.S. Appl. No. 29/500,512, filed Aug. 26, 2014, Zenoff.
 U.S. Appl. No. 29/500,514, filed Aug. 26, 2014, Zenoff.
 U.S. Appl. No. 29/500,546, filed Aug. 26, 2014, Zenoff.
 U.S. Appl. No. 29/500,551, filed Aug. 26, 2014, Zenoff.
 U.S. Appl. No. 29/500,553, filed Aug. 26, 2014, Zenoff.
 U.S. Appl. No. 29/500,555, filed Aug. 26, 2014, Zenoff.
 U.S. Appl. No. 29/500,557, filed Aug. 26, 2014, Zenoff.
 U.S. Appl. No. 29/500,558, filed Aug. 26, 2014, Zenoff.
 U.S. Appl. No. 29/500,562, filed Aug. 26, 2014, Zenoff.
 U.S. Appl. No. 29/500,564, filed Aug. 26, 2014, Zenoff.
 Alibaba.com. Mobile billboard advertising led truck new technology product in china mobile truck led tv screen. Available at http://www.alibaba.com/product-detail/mobile-billboard-advertising-led-truck-new_60181386676.html. Accessed on Jul. 24, 2015.
 Webbozz.com. Stylish Circular Display Smart Watch- Motorola Moto 360. Feb. 2013. Available at <http://www.webbozz.com/stylish-circular-display-smart-watch-motorola-moto-360>. Accessed on Jul. 23, 2015.

* cited by examiner

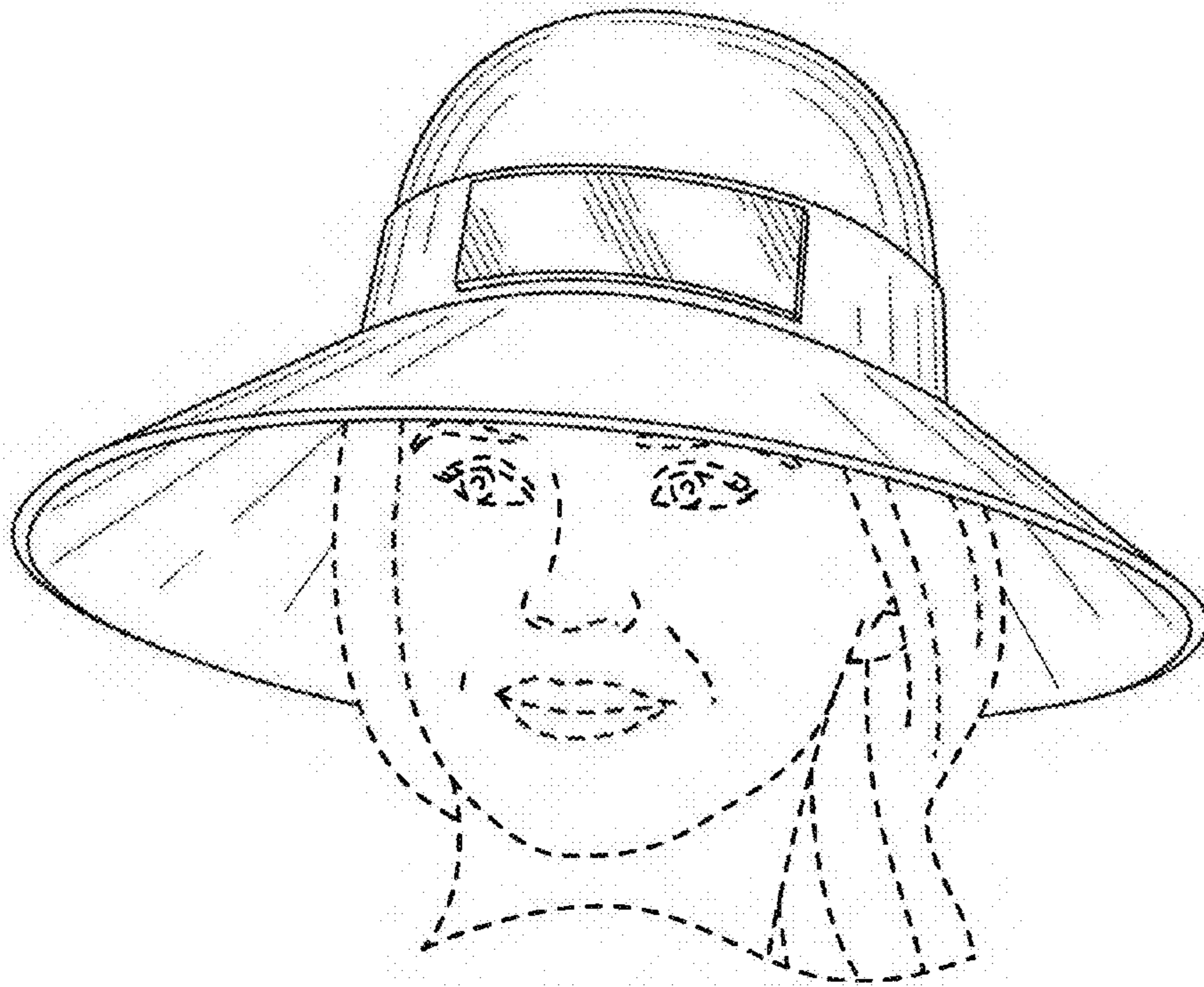


FIG. 1

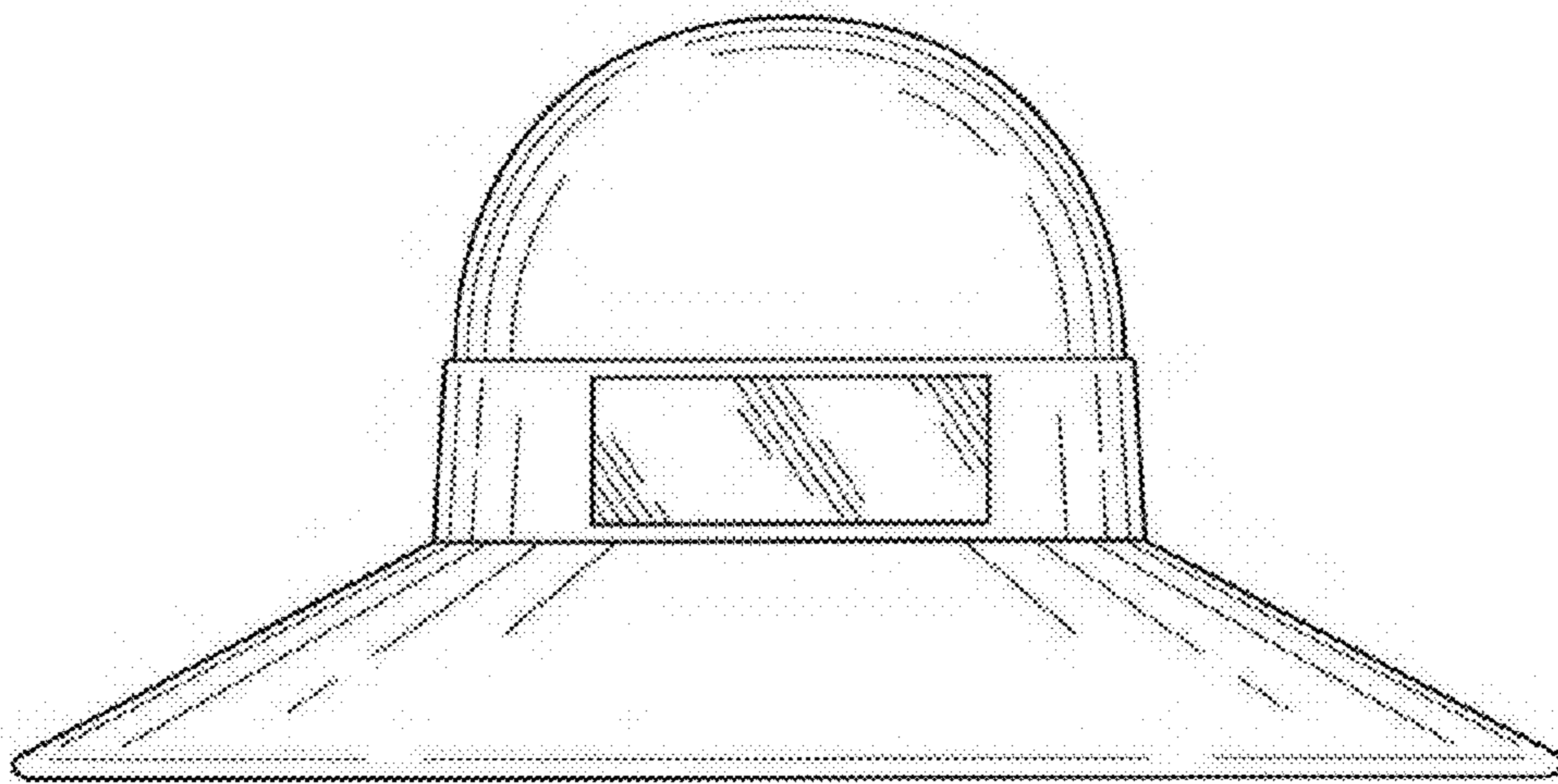


FIG. 2

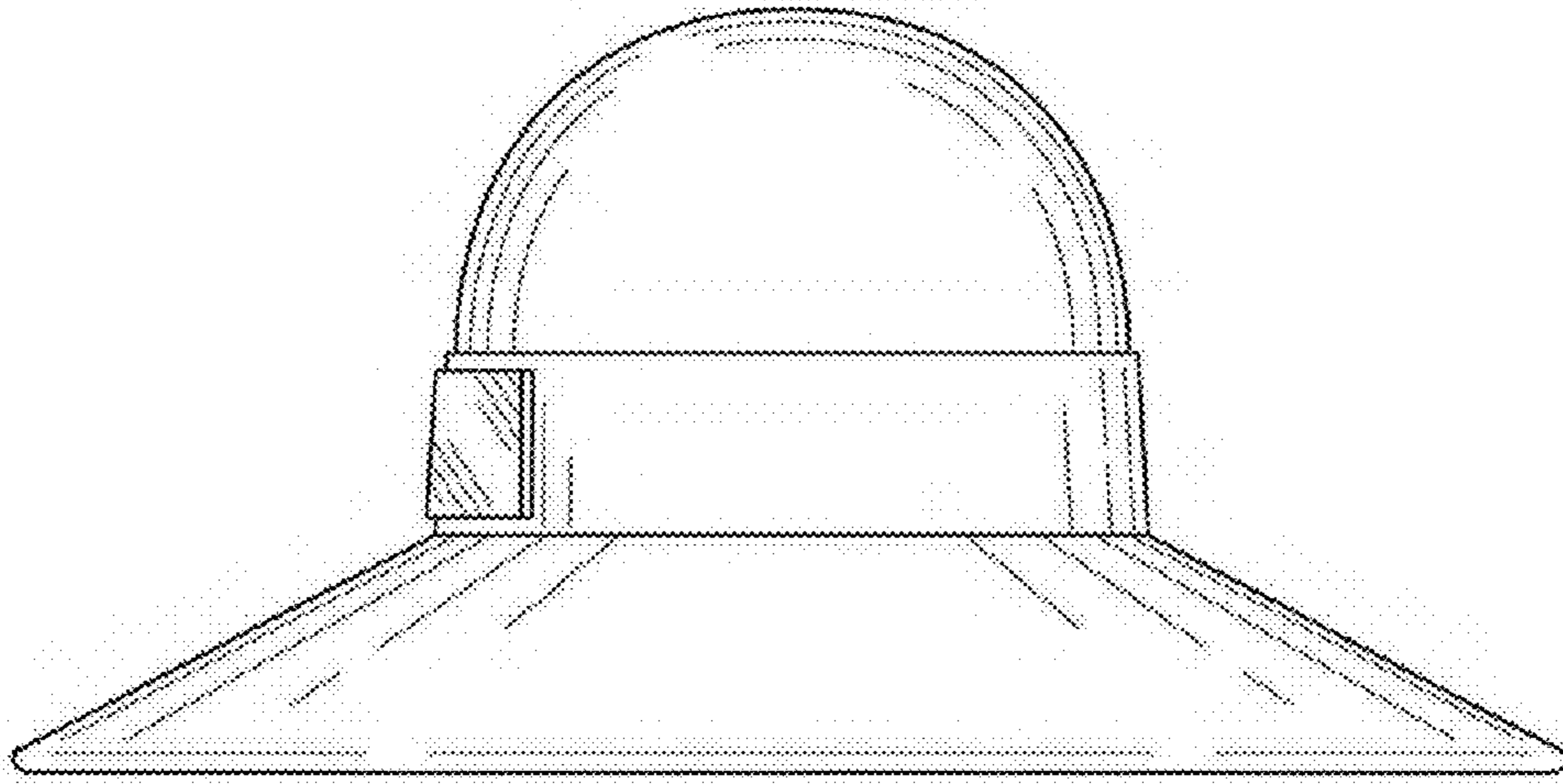


FIG. 3

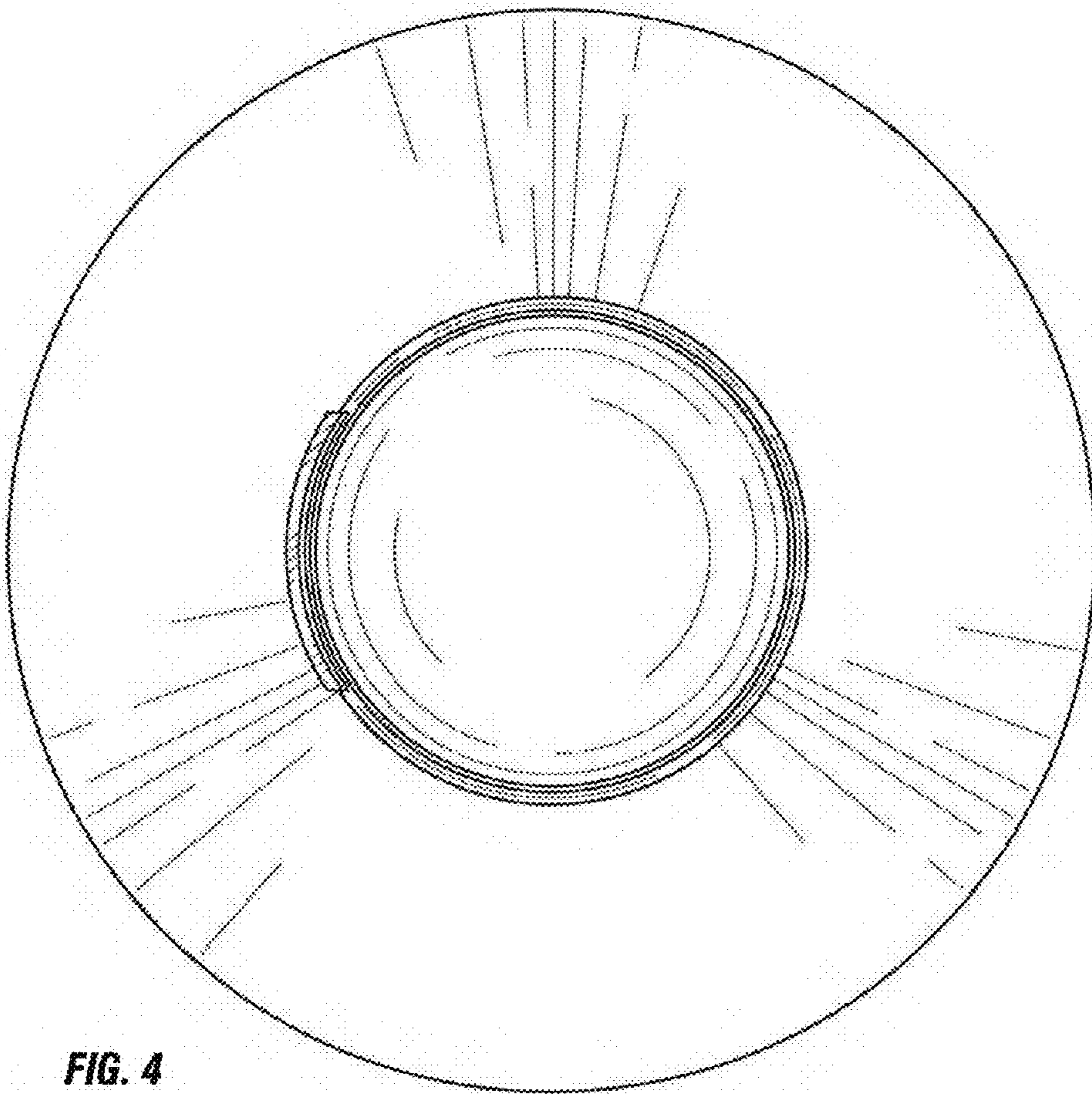


FIG. 4