



US00D751794S

(12) **United States Design Patent**
Zenoff

(10) **Patent No.:** **US D751,794 S**
(45) **Date of Patent:** **** Mar. 22, 2016**

- (54) **VISOR WITH A RECTANGULAR-SHAPED ELECTRONIC DISPLAY**
- (71) Applicant: **Andrew Zenoff**, San Anselmo, CA (US)
- (72) Inventor: **Andrew Zenoff**, San Anselmo, CA (US)
- (73) Assignee: **Beam Authentic, LLC**, San Anselmo, CA (US)
- (**) Term: **14 Years**

D58,303 S	7/1921	Bartholomew
1,427,891 A	9/1922	Ziegler
D62,863 S	8/1923	Strauss
1,481,975 A	1/1924	Bender
D64,441 S *	4/1924	Cabell D2/876
1,502,160 A	7/1924	Reinthal
D66,331 S	12/1924	Pegg
1,560,073 A	11/1925	Bontempi et al.
1,566,663 A	12/1925	Finkelstein
1,582,812 A	4/1926	Avin
1,606,798 A	11/1926	Karger

(Continued)

- (21) Appl. No.: **29/500,393**
- (22) Filed: **Aug. 25, 2014**
- (51) **LOC (10) Cl.** **02-03**
- (52) **U.S. Cl.**
USPC **D2/876; D2/866**
- (58) **Field of Classification Search**
USPC D2/865, 866, 869, 871, 872, 873, 875, D2/876, 879, 882, 884, 885, 897, 893, D2/895; D21/386; D6/300; D11/75, 86, D11/132, 140; D14/125, 126, 300, 341, D14/371, 374, 448, 450, 507; D26/39; D29/102, 103, 104, 122
CPC A42B 1/00; A42B 1/002; A42B 1/004; A42B 1/006; A42B 1/008; A42B 1/04; A42B 1/06; A42B 1/062; A42B 1/18; A42B 1/22; A42B 1/225; A42B 1/24; A42B 1/242; A42B 1/244; A42B 1/245; A42B 1/248; A42B 1/206; A42C 5/02; G02B 27/017; G02B 27/0172; G02B 2027/0174; G02B 23/125; G09F 21/02; G09F 2021/023
See application file for complete search history.

FOREIGN PATENT DOCUMENTS

CN	203327079 U	12/2013
WO	WO-2012061438 A2	5/2012
WO	WO-2014054211 A1	4/2014

OTHER PUBLICATIONS

U.S. Appl. No. 29/499,861, filed Aug. 19, 2014, Zenoff.

(Continued)

Primary Examiner — Karen E. Eldridge Powers
Assistant Examiner — Jasmine Mlinarcik
 (74) *Attorney, Agent, or Firm* — Wilson Sonsini Goodrich & Rosati

(57) **CLAIM**

The ornamental design for a visor with a rectangular-shaped electronic display, as shown.

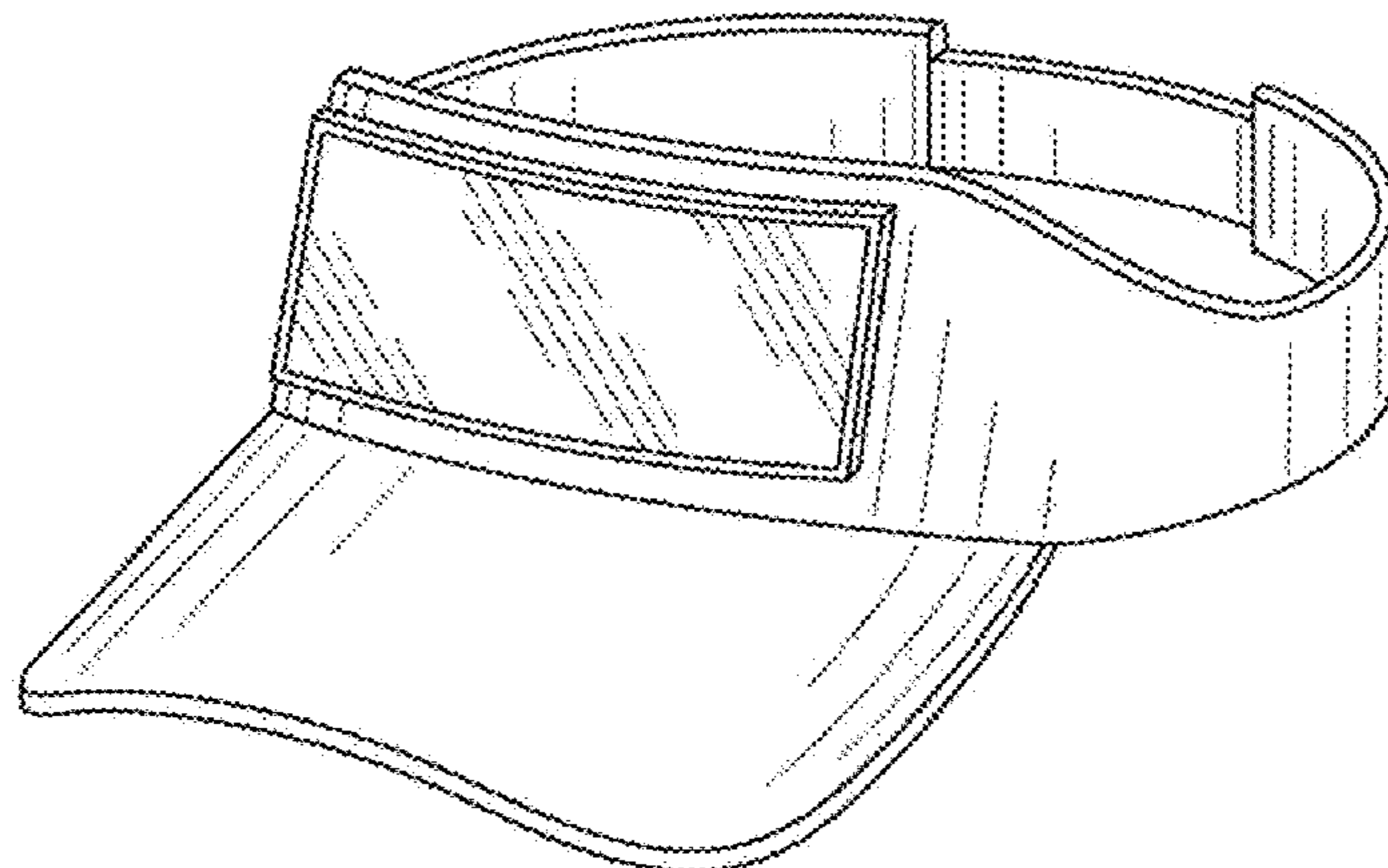
DESCRIPTION

FIG. 1 shows a perspective view of a visor with a rectangular-shaped electronic display;
 FIG. 2 shows a front elevation view of the visor with a rectangular-shaped electronic display;
 FIG. 3 shows a side elevation view of the visor with a rectangular-shaped electronic display; and,
 FIG. 4 shows a top plan view of the visor with a rectangular-shaped electronic display.

1 Claim, 2 Drawing Sheets

(56) **References Cited**
U.S. PATENT DOCUMENTS

65,871 A	6/1867	Browne
260,332 A	6/1882	Simonson
1,190,427 A	7/1916	Kromer, Jr.
1,215,311 A	2/1917	Miller



(56)

References Cited

U.S. PATENT DOCUMENTS

1,616,475 A	2/1927	Tracey		7,219,374 B2 *	5/2007	Cho	A42B 1/22 2/181
D79,398 S	9/1929	Wittcoff		D558,431 S	1/2008	Pritchett	
D115,046 S	5/1939	Marks		D558,955 S	1/2008	Taylor	
D130,393 S	11/1941	Maxwell et al.		7,331,064 B1	2/2008	Quintal	
2,682,667 A	7/1954	Michelstetter		7,424,751 B1	9/2008	Miller	
3,346,153 A	10/1967	Galasso		D577,879 S	10/2008	Jones	
3,895,797 A	7/1975	Moore		7,490,364 B2	2/2009	Kim	
D251,336 S *	3/1979	Getgey	D2/876	D600,879 S	9/2009	Accardi	
D263,092 S *	2/1982	Fay	D2/876	D603,144 S	11/2009	South	
4,535,478 A	8/1985	Zuefle		D603,585 S *	11/2009	Capriola	D2/866
4,710,981 A	12/1987	Sanchez		7,621,000 B1	11/2009	Fulton	
4,827,384 A	5/1989	Von Schlemmer		D607,627 S *	1/2010	Kowalczyk	D2/876
4,834,688 A	5/1989	Jones		D608,531 S	1/2010	Kronenberger	
4,873,726 A	10/1989	Tapia		D621,590 S	8/2010	Martin	
4,924,613 A	5/1990	Levin		D624,286 S	9/2010	Hall	
5,054,127 A	10/1991	Zevchak		D625,082 S	10/2010	Jones	
5,167,559 A	12/1992	Power-Fardy		D630,822 S	1/2011	Thomas	
D333,030 S	2/1993	Wilkes		D635,336 S	4/2011	Alger	
D350,221 S	9/1994	Van Doren		D635,976 S	4/2011	Lee et al.	
5,359,733 A *	11/1994	Brannon	A42B 1/248 2/195.1	D636,562 S	4/2011	Lam et al.	
5,437,062 A *	8/1995	Douglas	A42B 1/064 2/10	7,974,432 B1	7/2011	Ryan	
5,452,479 A *	9/1995	Mostert	A42B 1/248 2/195.1	7,992,224 B2	8/2011	Tai	
5,454,120 A	10/1995	Rowlands		D647,286 S *	10/2011	Malek	D2/866
5,462,471 A	10/1995	Power-Fardy		D649,744 S	12/2011	Weinshanker	
5,465,426 A	11/1995	Beaton		D659,351 S	5/2012	Benkendorfer	
5,548,847 A	8/1996	Spicijaric		D660,554 S	5/2012	Blackshear	
5,621,914 A	4/1997	Ramone et al.		D670,068 S	11/2012	Bomze	
5,632,044 A	5/1997	Sloot		D671,716 S	12/2012	Lam et al.	
D383,892 S	9/1997	Virzi		8,364,220 B2	1/2013	Sandmore	
D396,546 S	8/1998	Marrs		8,453,265 B2	6/2013	Forte et al.	
D397,239 S	8/1998	Marrs		8,458,820 B2	6/2013	Cleva	
5,794,267 A	8/1998	Wallace		8,626,586 B1	1/2014	Biere et al.	
D401,738 S	12/1998	Scerbo		D699,928 S	2/2014	Tien	
D403,491 S	1/1999	Wyatt et al.		D701,504 S	3/2014	Christopher et al.	
D405,239 S	2/1999	Kostinko		8,677,515 B2	3/2014	Ishihara et al.	
D406,687 S	3/1999	Thorpe		D703,069 S	4/2014	Adams et al.	
D407,190 S	3/1999	Day		D704,925 S	5/2014	Cho	
5,943,698 A	8/1999	Blanks, I		D705,527 S	5/2014	Clark	
5,960,476 A	10/1999	Danzy		D709,675 S	7/2014	Cho	
D418,279 S *	1/2000	Day	D2/882	D710,220 S	8/2014	Daniel	
D424,282 S	5/2000	Crumpton et al.		D711,002 S	8/2014	Ohnemus et al.	
D427,751 S	7/2000	Richlin		D712,635 S	9/2014	Rivas	
6,154,992 A	12/2000	Lee		D713,622 S	9/2014	Steel	
D438,374 S	3/2001	Hayman		D714,031 S	9/2014	Javits, Jr.	
D444,618 S	7/2001	Wilson		8,869,312 B2	10/2014	Tuohy et al.	
D447,318 S *	9/2001	Gath	D2/876	D717,019 S	11/2014	Van Dalen	
D452,767 S	1/2002	Balloni et al.		D718,731 S	12/2014	Lee et al.	
D459,059 S *	6/2002	Park	D2/876	8,898,820 B2	12/2014	Sokolowski et al.	
6,408,443 B1 *	6/2002	Park	A42B 1/248 2/195.1	D721,874 S	2/2015	Robbins et al.	
D460,604 S	7/2002	Sullivan, Jr.		8,950,012 B2	2/2015	Ilges et al.	
6,470,499 B1	10/2002	Joiner		D729,650 S	5/2015	Phillips et al.	
D472,695 S	4/2003	Lee		D733,130 S	6/2015	Kim et al.	
D473,039 S	4/2003	Erspamer		D734,329 S	7/2015	Lee	
D482,185 S *	11/2003	Park	D2/876	D736,768 S	8/2015	Kuwabara et al.	
D483,173 S	12/2003	Harris et al.		2001/0034894 A1	11/2001	Godfrey et al.	
D483,928 S	12/2003	Mansell et al.		2003/0073412 A1	4/2003	Meade et al.	
6,751,805 B1	6/2004	Austion		2003/0221234 A1 *	12/2003	Wang	A42B 1/22 2/12
D494,745 S	8/2004	Kronenberger		2004/0221368 A1	11/2004	Okot	
D496,146 S	9/2004	Appleberry		2005/0132470 A1	6/2005	Wong	
D496,775 S	10/2004	Tanner		2006/0112707 A1	6/2006	Tu	
6,810,533 B1 *	11/2004	Nahabedian	A42B 1/206 2/209.3	2006/0117458 A1	6/2006	Ishihara et al.	
6,820,281 B2	11/2004	Mariland et al.		2006/0206985 A1	9/2006	Proctor	
D502,589 S *	3/2005	Lee	D2/876	2006/0209218 A1	9/2006	Lee et al.	
D509,947 S	9/2005	Fortune		2007/0056078 A1	3/2007	Tseng	
6,948,189 B2	9/2005	Early		2007/0182664 A1 *	8/2007	Himmele	A42B 1/248 345/8
D517,283 S	3/2006	Shin et al.		2007/0247312 A1	10/2007	Sekine	
D523,612 S	6/2006	Steger		2008/0000013 A1	1/2008	Talley	
D539,012 S	3/2007	Evans		2009/0251888 A1	10/2009	Douglas	
D543,338 S	5/2007	Park		2009/0310290 A1	12/2009	Tennent	
				2010/0058514 A1	3/2010	Koh	
				2010/0095573 A1	4/2010	Lifshitz	
				2010/0100004 A1	4/2010	Van Someren	
				2010/0131613 A1	5/2010	Jonsson et al.	
				2010/0299979 A1	12/2010	Lamere	
				2010/0306808 A1	12/2010	Neumeier et al.	

(56)

References Cited

U.S. PATENT DOCUMENTS

2010/0313334	A1 *	12/2010	Moy	A42B 1/248 2/209.13
2011/0041238	A1	2/2011	Brzoska	
2011/0094016	A1	4/2011	Paulson	
2011/0187681	A1	8/2011	Kim et al.	
2011/0246908	A1	10/2011	Akram et al.	
2011/0295749	A1	12/2011	Scalisi	
2012/0005809	A1	1/2012	Johnson	
2012/0089437	A1	4/2012	Amento et al.	
2012/0163269	A1	6/2012	Shuster et al.	
2012/0256902	A1	10/2012	Tam et al.	
2012/0264492	A1	10/2012	Stewart	
2012/0324076	A1	12/2012	Zerr et al.	
2013/0188322	A1	7/2013	Lowe et al.	
2013/0222270	A1	8/2013	Winkler et al.	
2013/0333095	A1	12/2013	Dudick	
2014/0053316	A1	2/2014	Su	
2014/0098009	A1	4/2014	Prest et al.	
2014/0111323	A1	4/2014	Strout et al.	
2014/0121539	A1	5/2014	Chatterjee et al.	
2014/0160055	A1	6/2014	Margolis et al.	
2014/0173807	A1	6/2014	Waters	
2014/0176417	A1	6/2014	Young et al.	
2015/0033445	A1	2/2015	Warner et al.	
2015/0096104	A1	4/2015	Kim	
2015/0146903	A1	5/2015	Mariasov	
2015/0164166	A1	6/2015	Tsai	
2015/0250245	A1	9/2015	Waters	

OTHER PUBLICATIONS

U.S. Appl. No. 29/499,864, filed Aug. 19, 2014, Zenoff.
 U.S. Appl. No. 29/499,867, filed Aug. 19, 2014, Zenoff.

U.S. Appl. No. 29/499,866, filed Aug. 19, 2014, Zenoff.
 U.S. Appl. No. 29/500,139, filed Aug. 21, 2014, Zenoff.
 U.S. Appl. No. 29/500,381, filed Aug. 25, 2014, Zenoff.
 U.S. Appl. No. 29/500,384, filed Aug. 25, 2014, Zenoff.
 U.S. Appl. No. 29/500,387, filed Aug. 25, 2014, Zenoff.
 U.S. Appl. No. 29/500,391, filed Aug. 25, 2014, Zenoff.
 U.S. Appl. No. 29/500,399, filed Aug. 25, 2014, Zenoff.
 U.S. Appl. No. 29/500,405, filed Aug. 25, 2014, Zenoff.
 U.S. Appl. No. 29/500,407, filed Aug. 25, 2014, Zenoff.
 U.S. Appl. No. 29/500,408, filed Aug. 25, 2014, Zenoff.
 U.S. Appl. No. 29/500,504, filed Aug. 26, 2014, Zenoff.
 U.S. Appl. No. 29/500,506, filed Aug. 26, 2014, Zenoff.
 U.S. Appl. No. 29/500,509, filed Aug. 26, 2014, Zenoff.
 U.S. Appl. No. 29/500,512, filed Aug. 26, 2014, Zenoff.
 U.S. Appl. No. 29/500,514, filed Aug. 26, 2014, Zenoff.
 U.S. Appl. No. 29/500,546, filed Aug. 26, 2014, Zenoff.
 U.S. Appl. No. 29/500,551, filed Aug. 26, 2014, Zenoff.
 U.S. Appl. No. 29/500,553, filed Aug. 26, 2014, Zenoff.
 U.S. Appl. No. 29/500,555, filed Aug. 26, 2014, Zenoff.
 U.S. Appl. No. 29/500,557, filed Aug. 26, 2014, Zenoff.
 U.S. Appl. No. 29/500,558, filed Aug. 26, 2014, Zenoff.
 U.S. Appl. No. 29/500,562, filed Aug. 26, 2014, Zenoff.
 U.S. Appl. No. 29/500,564, filed Aug. 26, 2014, Zenoff.
 Alibaba.com. Mobile billboard advertising led truck new technology product in china mobile truck led tv screen. Available at http://www.alibaba.com/product-detail/mobile-billboard-advertising-led-truck-new_60181386676.html. Accessed on Jul. 24, 2015.
 Webbozz.com. Stylish Circular Display Smart Watch—Motorola Moto 360. Feb. 2013. Available at <http://www.webbozz.com/stylish-circular-display-smart-watch-motorola-moto-360>. Accessed on Jul. 23, 2015.

* cited by examiner

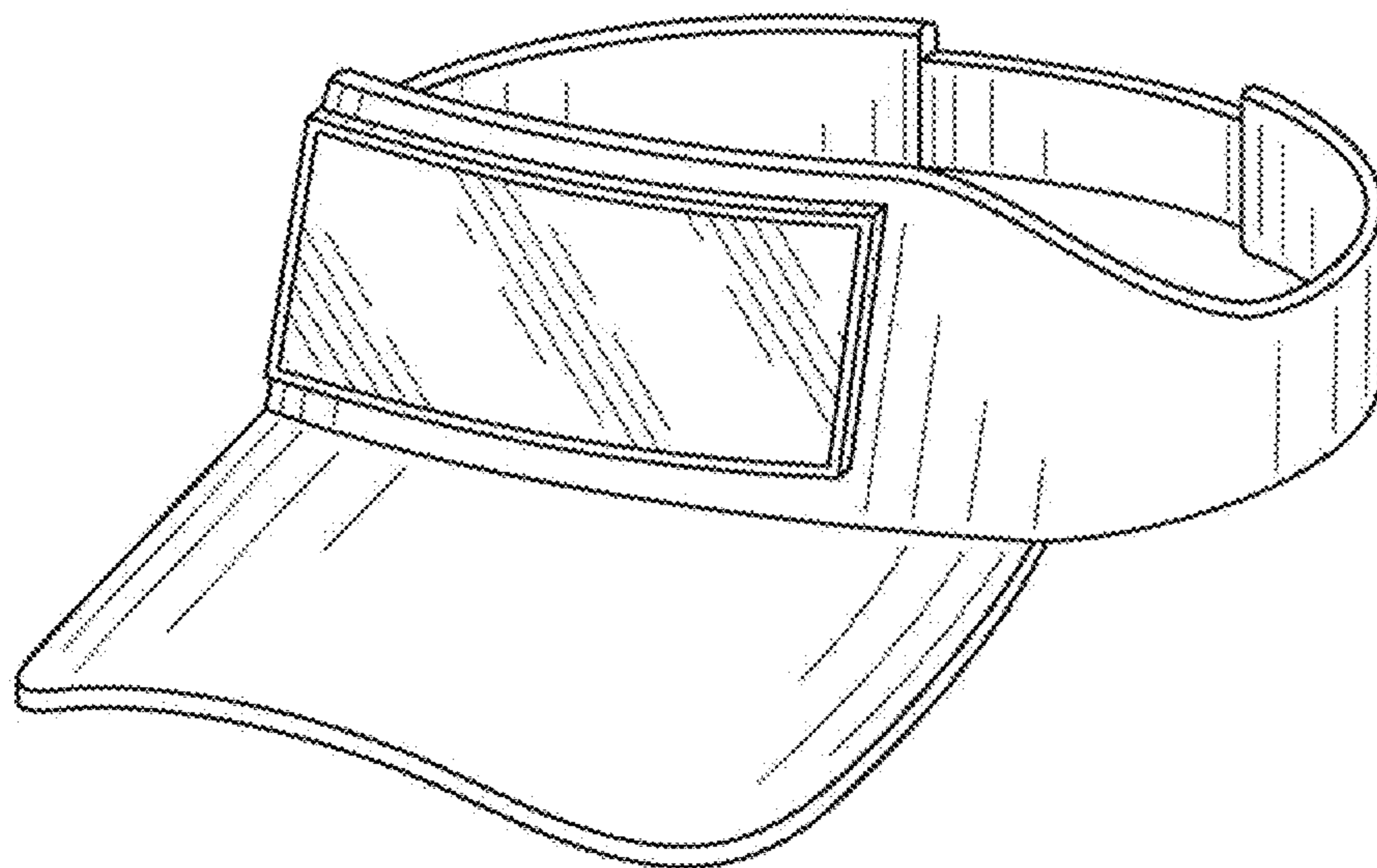


FIG. 1

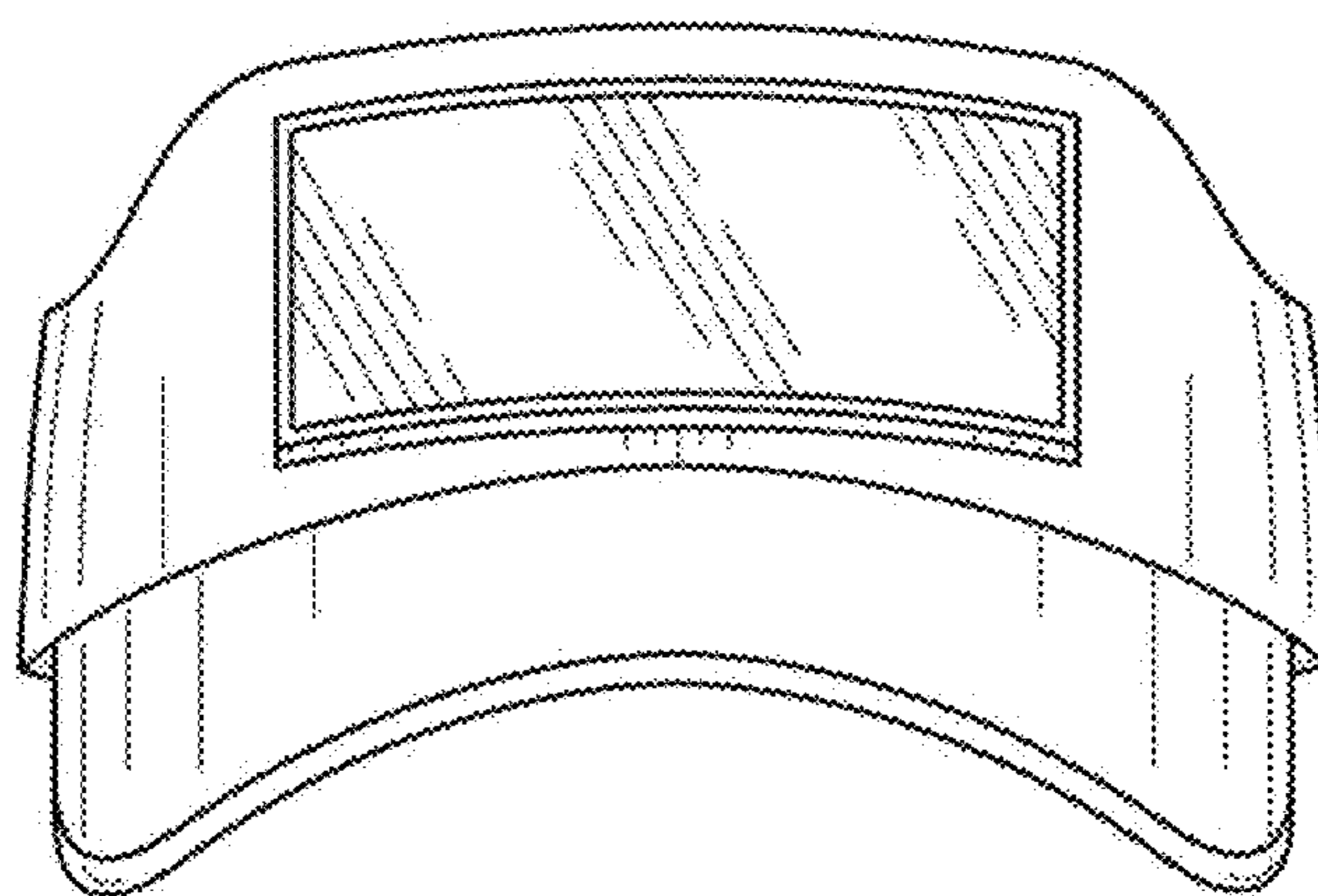


FIG. 2

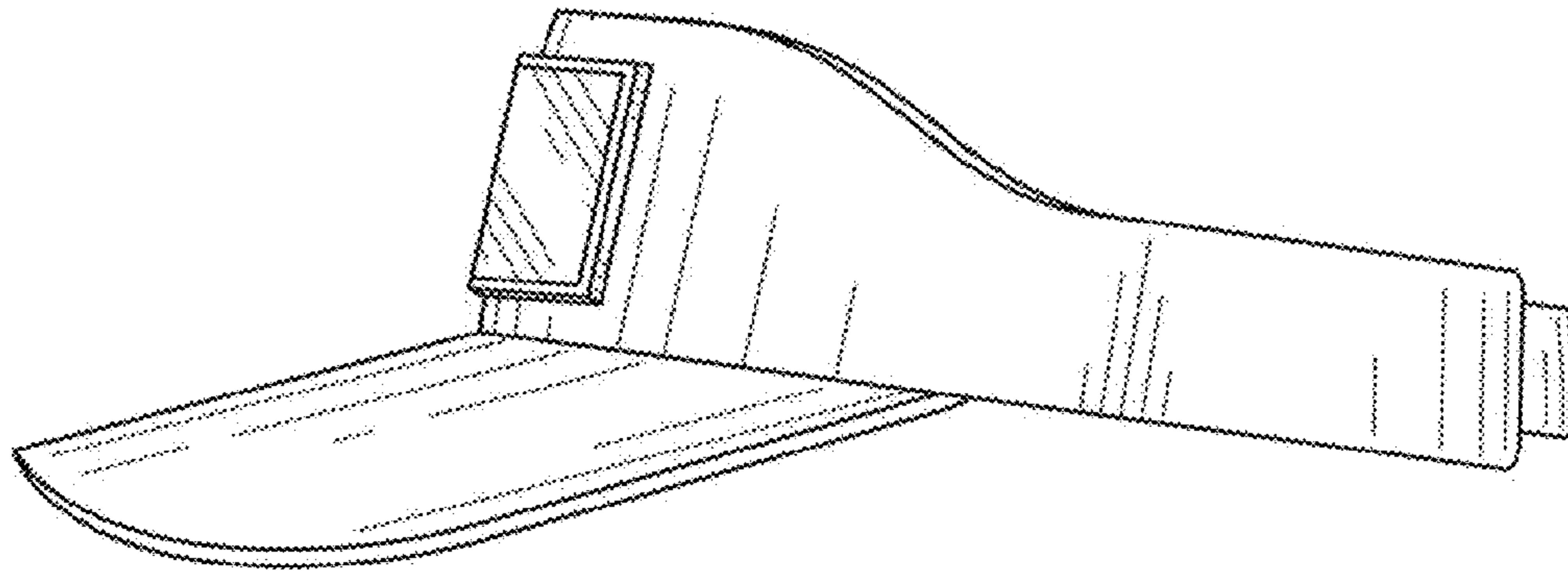


FIG. 3

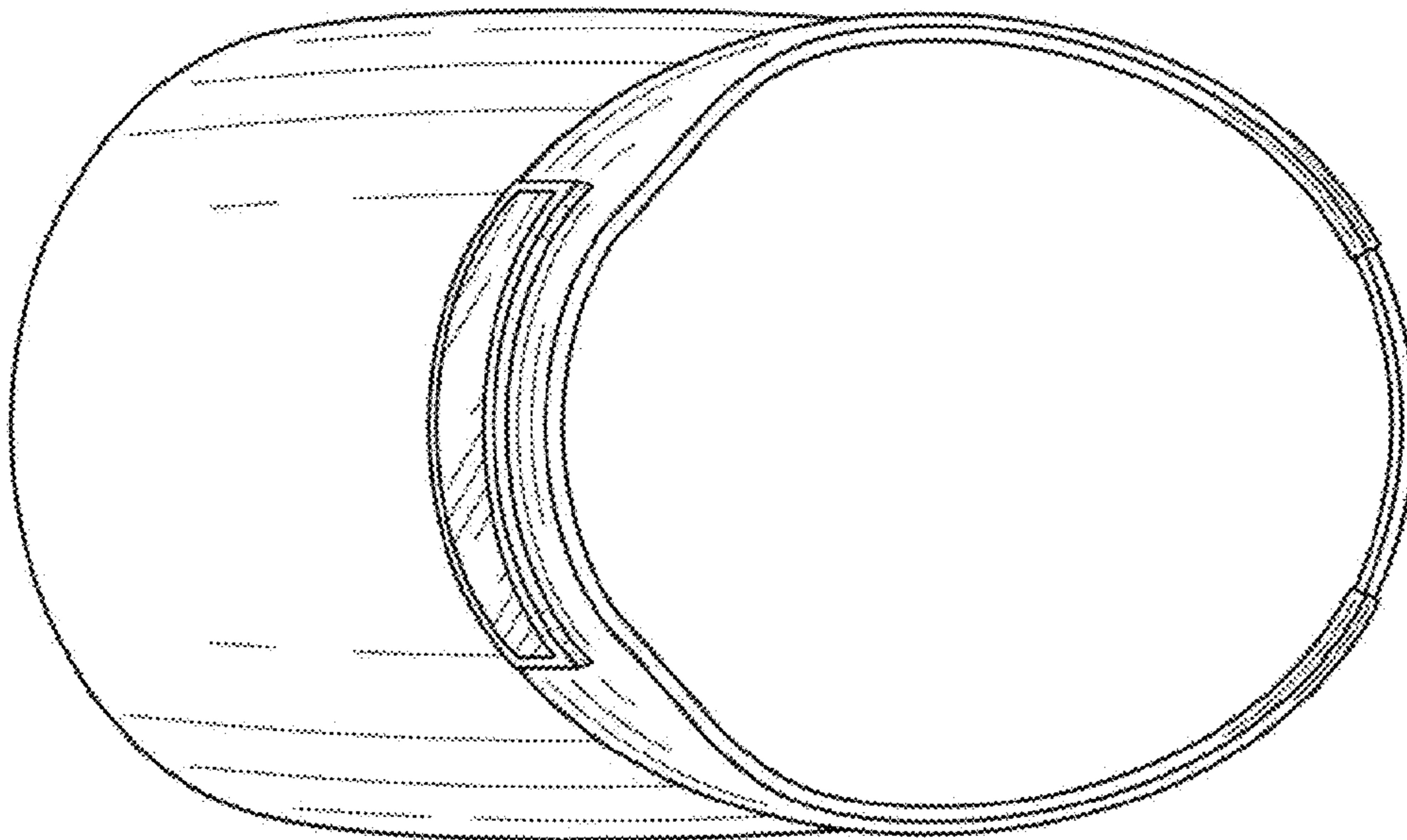


FIG. 4