



US00D751788S

(12) **United States Design Patent**  
**Taylor et al.**

(10) **Patent No.:** **US D751,788 S**  
(45) **Date of Patent:** **\*\* Mar. 15, 2016**

(54) **PALLET LIFTER**

(71) Applicant: **LIFT2SELL, LLC**, Chagrin Falls, OH (US)  
(72) Inventors: **Curtis Taylor**, Chagrin Falls, OH (US); **Aaron Misener**, Chagrin Falls, OH (US); **Thomas L. Rattini**, Foristell, MO (US); **Robert H. Unnerstall, Jr.**, Wentzville, MO (US); **Robert Myler**, Winfield, MO (US)

(73) Assignee: **Life2Sell, LLC**, Chagrin Falls, OH (US)

(\*\*) Term: **14 Years**

(21) Appl. No.: **29/515,229**

(22) Filed: **Jan. 21, 2015**

(51) **LOC (10) Cl.** ..... **12-05**

(52) **U.S. Cl.**  
USPC ..... **D34/28**

(58) **Field of Classification Search**  
USPC ..... D34/28, 38, 31, 33, 34; 414/539, 540, 414/541, 678, 921, 785, 917, 266, 621; 108/51.11, 51.3, 52.1, 53.1, 53.3, 53.5, 108/54.1, 55.5, 57.12, 55.3, 57.25, 57.29, 108/20, 51.1, 901, 56.1, 56.3; 254/9 C, 9 B, 254/122, 2 B, 90, 88, 124; 248/588, 421  
CPC ..... B66F 7/065; B66F 7/0666; A47F 3/14; A47F 5/0081; B66C 2700/06

See application file for complete search history.

(56) **References Cited**

U.S. PATENT DOCUMENTS

2,741,371	A *	4/1956	Oswalt .....	B66C 1/24 212/227
D440,728	S *	4/2001	Schlangen .....	D34/28
D472,690	S *	4/2003	Grover .....	D34/28
D576,375	S *	9/2008	Carnevali .....	D34/28
D672,523	S *	12/2012	Taylor .....	D34/28
9,149,131	B2 *	10/2015	Taylor .....	A47F 3/14
2012/0180704	A1 *	7/2012	Taylor .....	A47F 3/14 108/20
2015/0128832	A1 *	5/2015	Taylor .....	F16M 11/38 108/50.11

\* cited by examiner

*Primary Examiner* — Cynthia Ramirez

*Assistant Examiner* — Gino Colan

(74) *Attorney, Agent, or Firm* — Fay Sharpe LLP

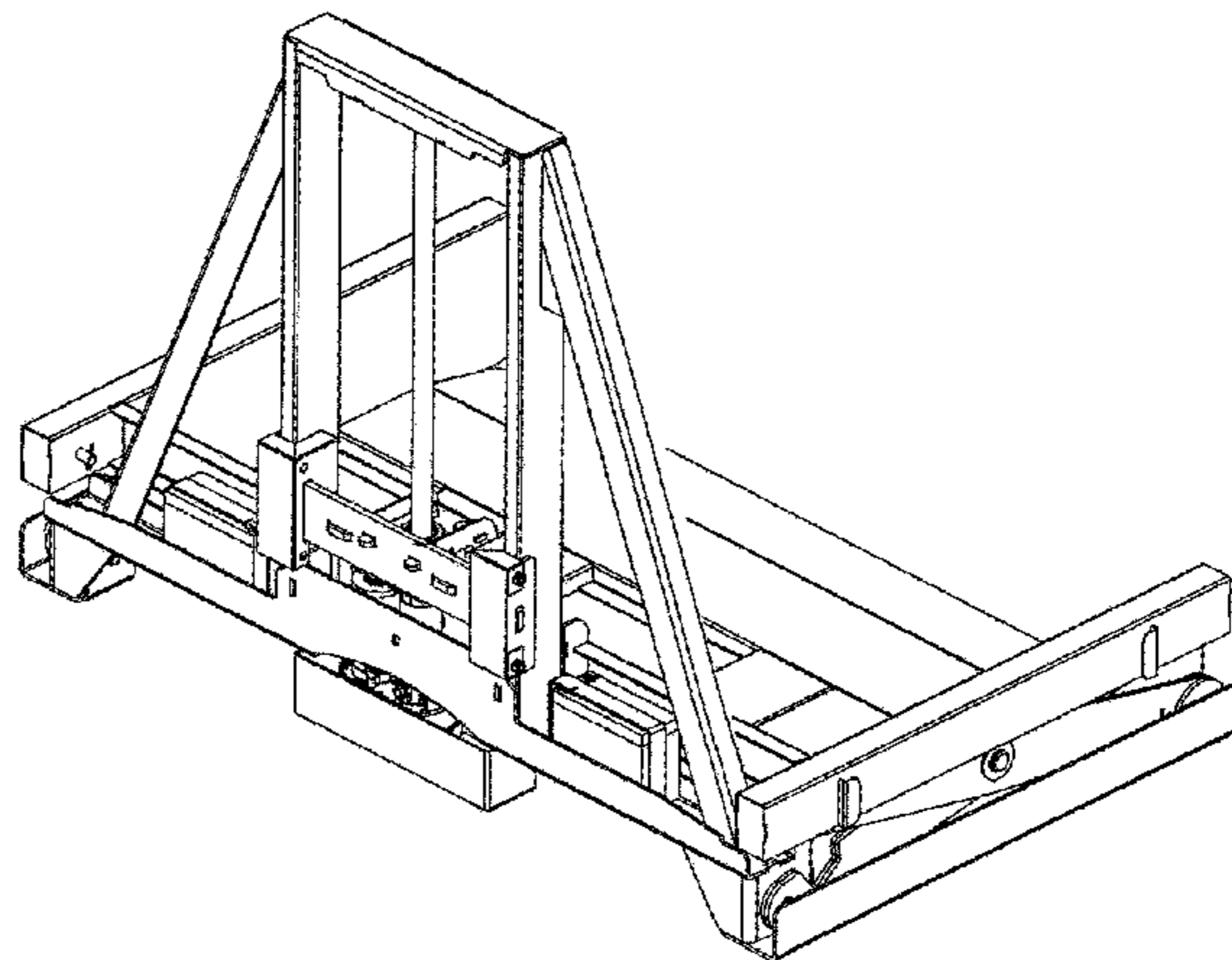
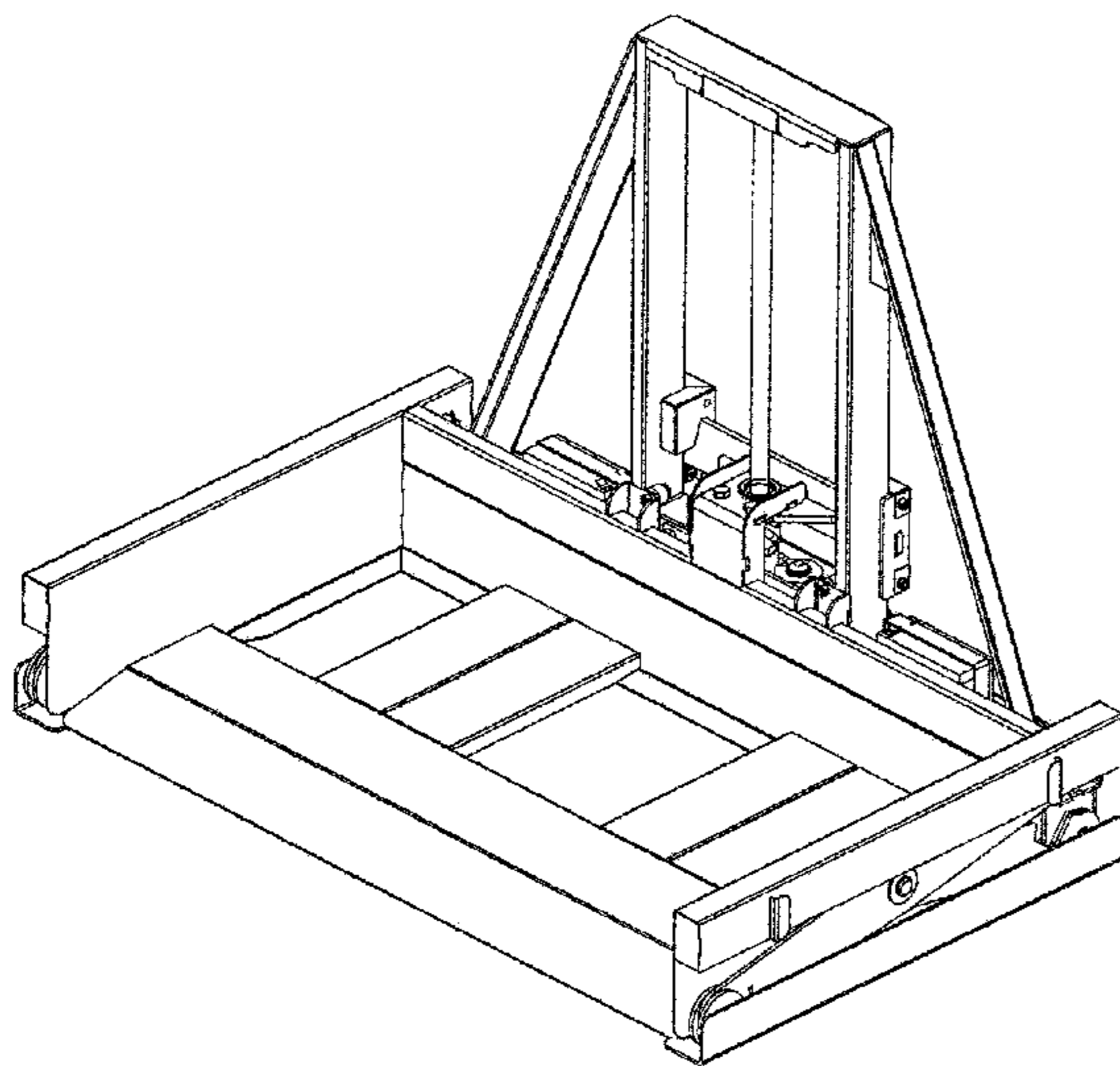
(57) **CLAIM**

The ornamental design for a pallet lifter, as shown and described.

**DESCRIPTION**

FIG. 1 is a front perspective view of the pallet lifter in the non-raised position showing our new design; FIG. 2 is a rear perspective view of the pallet lifter of FIG. 1 in the non-raised position; FIG. 3 is a rear perspective view of the pallet lifter of FIG. 1 in the raised position; FIG. 4 is a front perspective view of the pallet lifter of FIG. 1 in the raised position; and, FIG. 5 is a front elevational view of the pallet lifter of FIG. 1 in the non-raised position.

**1 Claim, 5 Drawing Sheets**



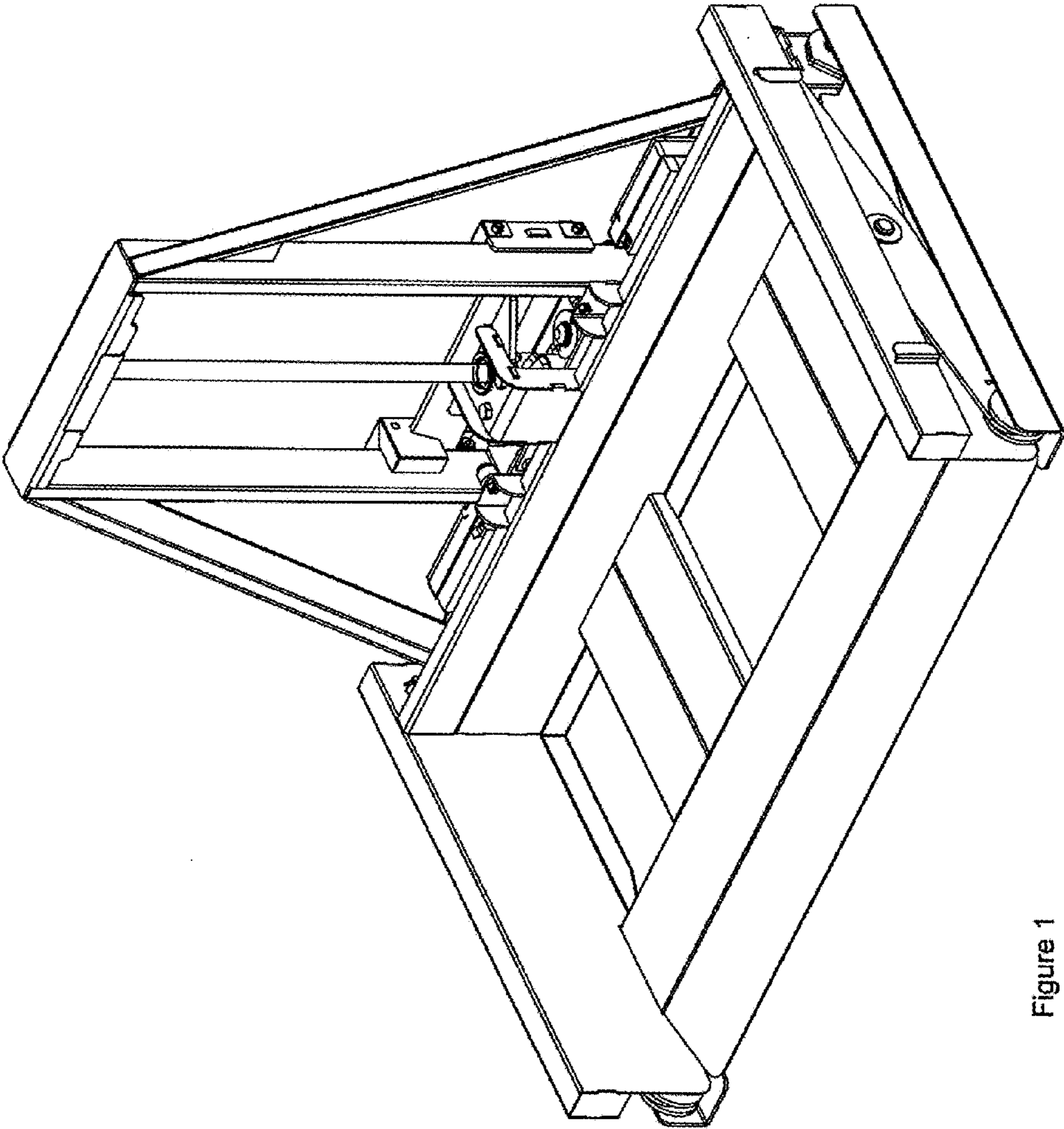


Figure 1

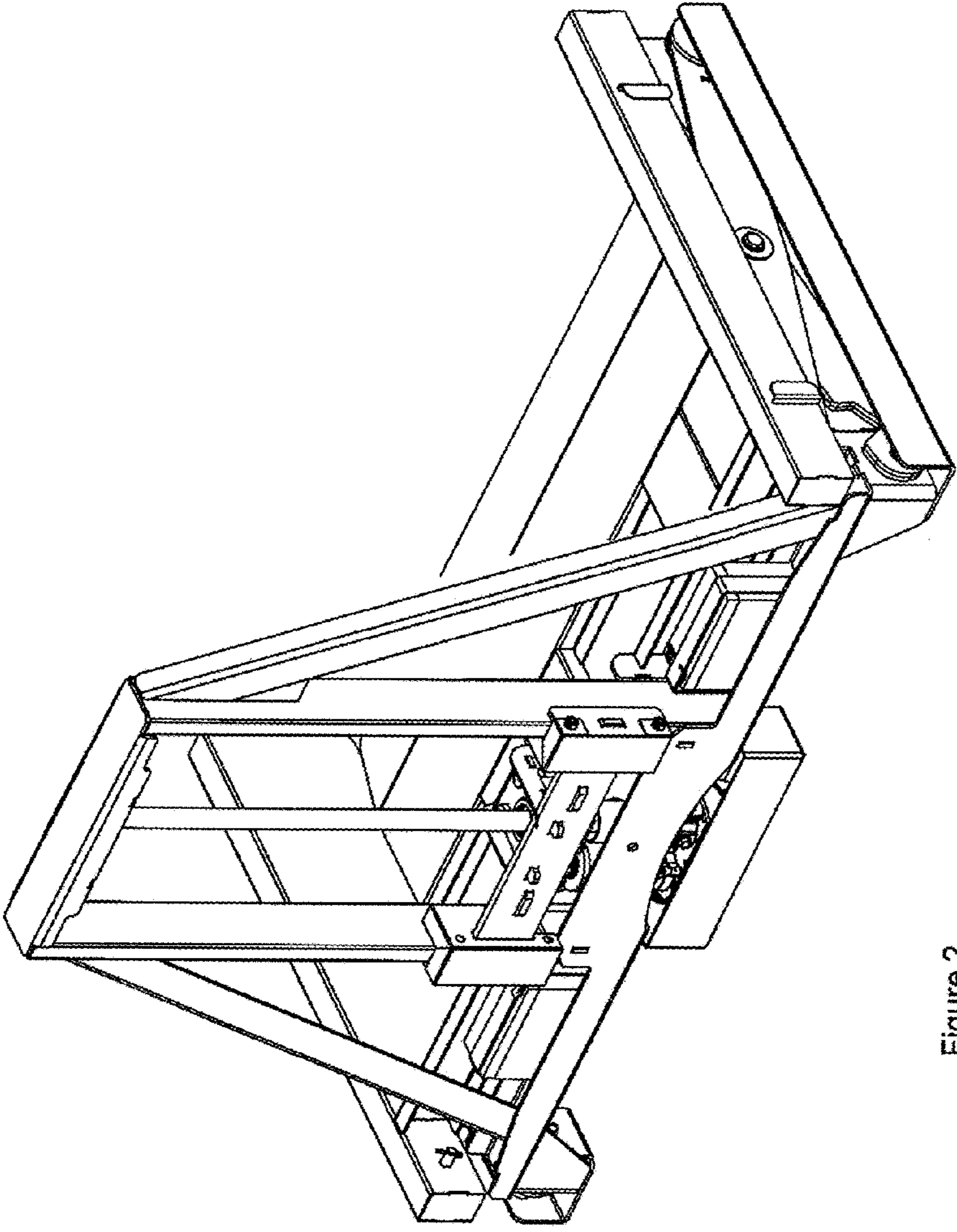


Figure 2

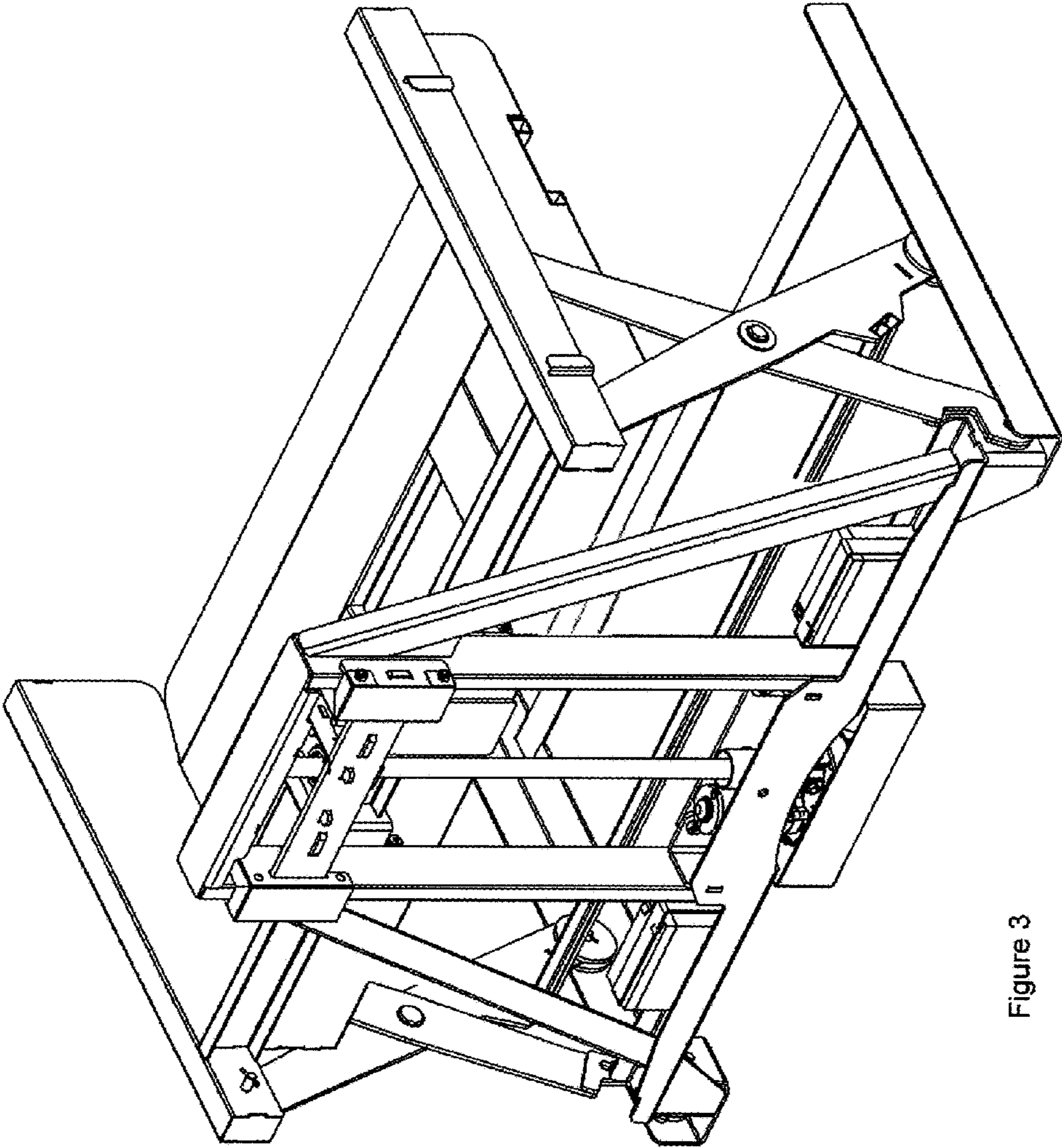


Figure 3

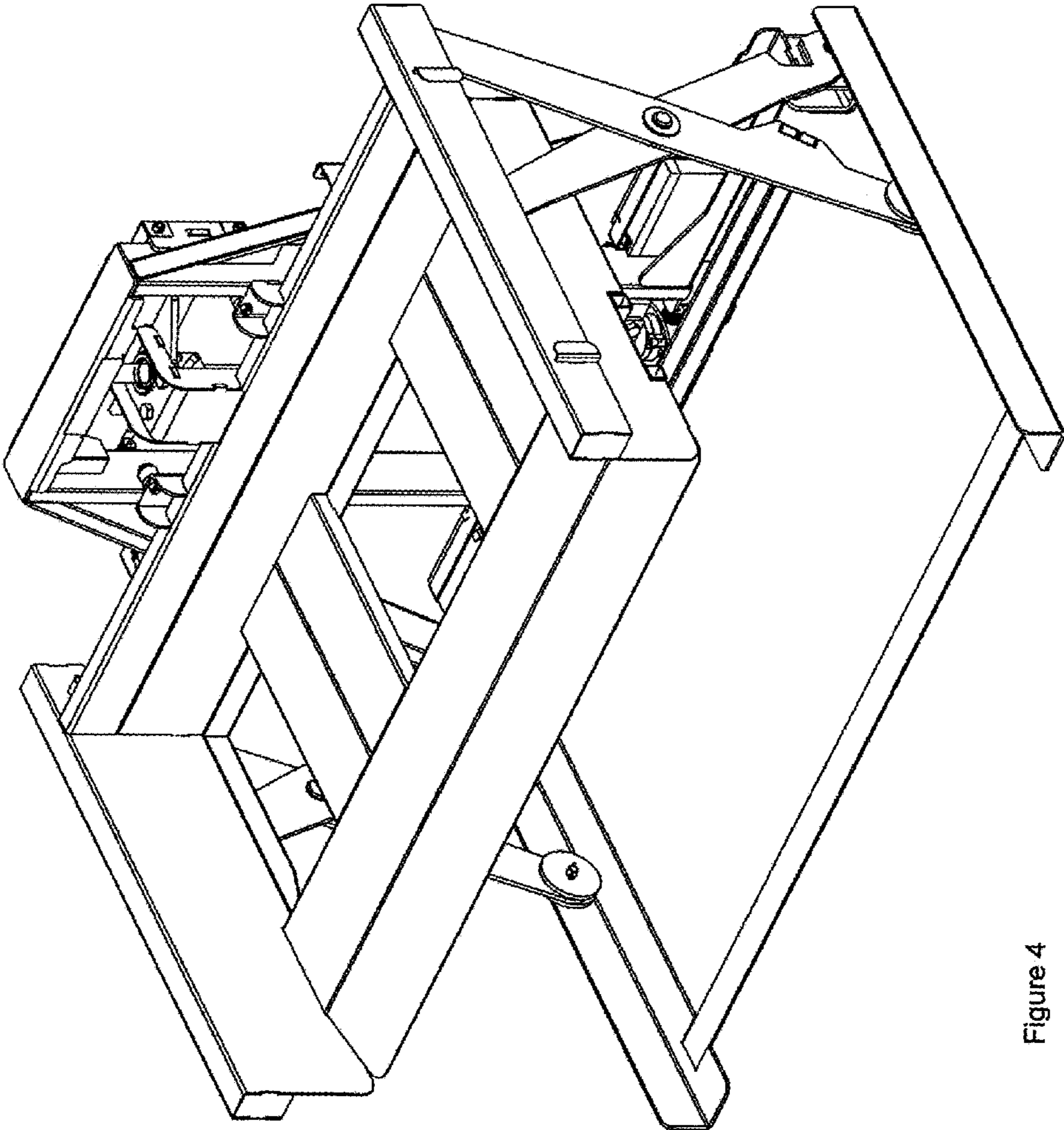


Figure 4

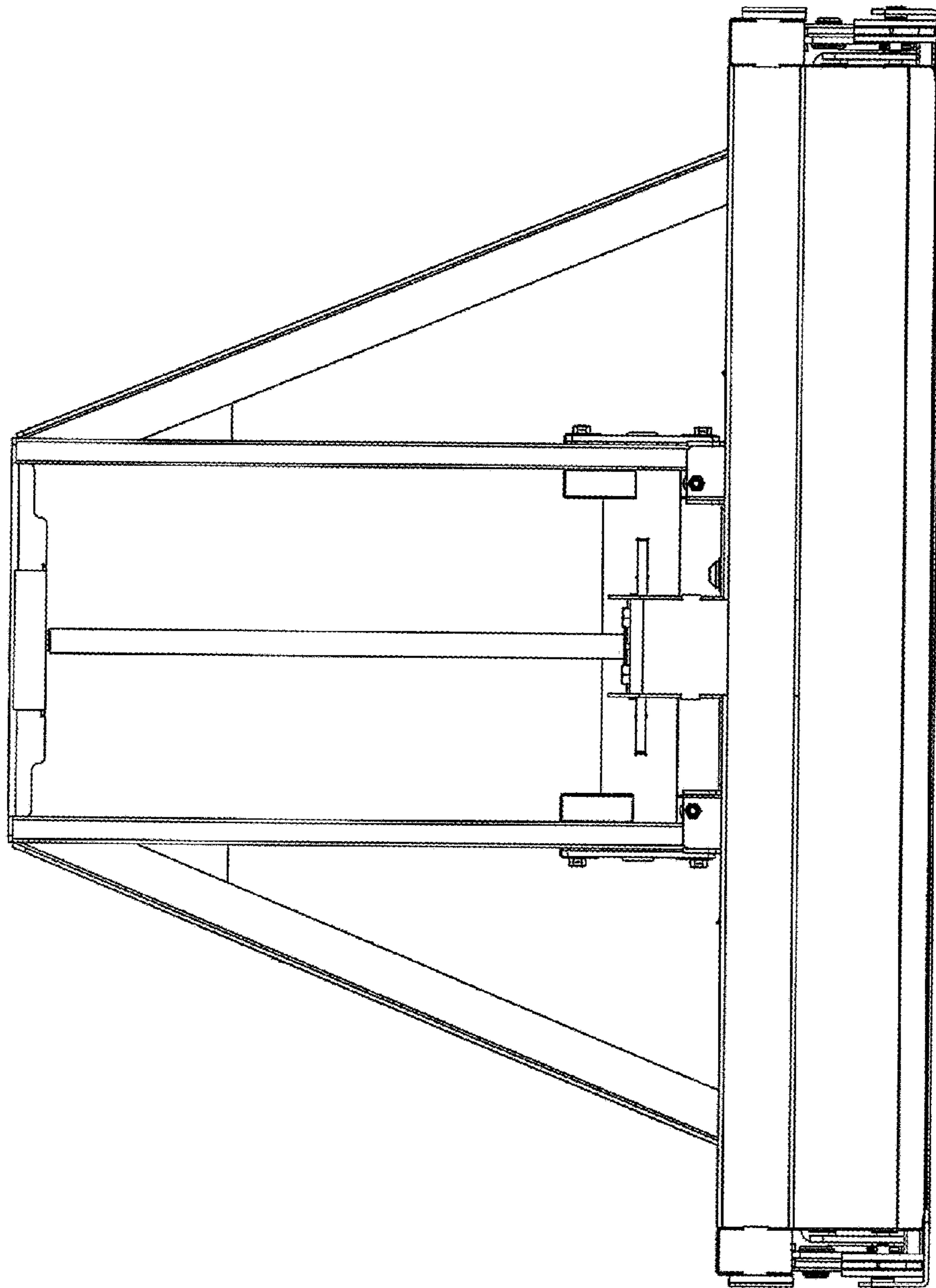


Figure 5