



US00D751786S

(12) **United States Design Patent**
Flickinger

(10) **Patent No.:** **US D751,786 S**
(45) **Date of Patent:** **** Mar. 15, 2016**

(54) **FISHING CART**
(71) Applicant: **Kenneth L. Flickinger**, Mount Pleasant, WI (US)
(72) Inventor: **Kenneth L. Flickinger**, Mount Pleasant, WI (US)
(**) Term: **15 Years**
(21) Appl. No.: **29/529,721**
(22) Filed: **Jun. 10, 2015**
(51) **LOC (10) Cl.** **12-02**
(52) **U.S. Cl.**
USPC **D34/26; D34/14**
(58) **Field of Classification Search**
USPC D34/12-27; 280/47.29, 47.26, 655, 280/47.315
CPC B62B 2202/406; B62B 2202/404; B62B 1/262; B62B 1/264; B62B 1/14; B62B 1/045; B62B 1/125; B62B 1/1468; B62B 5/06; B62F 1/1468
See application file for complete search history.

D357,783 S * 4/1995 Jones D34/24
6,880,851 B1 * 4/2005 Summers B62B 1/266 280/43.1
6,962,354 B1 * 11/2005 Miller A01K 97/08 280/47.26
7,471,437 B2 * 12/2008 Lenhard C09K 9/02 359/265
D638,190 S * 5/2011 Spann D34/14
D671,291 S * 11/2012 Spann D34/14
D699,476 S * 2/2014 Gonzalez D6/552
D732,258 S * 6/2015 Garcia D34/12
2006/0232033 A1 * 10/2006 Pint B62B 3/02 280/79.2
2009/0243241 A1 * 10/2009 Arakawa B62B 1/262 280/47.19
2011/0197494 A1 * 8/2011 Schumacher A01K 97/10 43/54.1
2011/0239525 A1 * 10/2011 Morales A01K 97/06 43/54.1

* cited by examiner

Primary Examiner — Cynthia Ramirez

(74) Attorney, Agent, or Firm — Whyte Hirschboeck Dudek S.C.

(57) **CLAIM**

The ornamental design for a fishing cart, as shown and described.

(56) **References Cited**

U.S. PATENT DOCUMENTS

3,997,181 A * 12/1976 Jaco B62B 1/264 280/47.19
D264,888 S * 6/1982 Watts D34/26
4,355,818 A * 10/1982 Watts B62B 1/12 280/47.19
5,002,304 A * 3/1991 Carrigan, Jr. B62B 1/125 280/47.29
5,005,847 A * 4/1991 King B62B 1/12 224/922
5,118,130 A * 6/1992 Kaltz B62B 1/12 211/195
5,159,777 A * 11/1992 Gonzalez A01K 97/08 280/47.19
5,203,815 A * 4/1993 Miller A01K 97/08 211/149

DESCRIPTION

FIG. 1 is a front perspective view of a fishing cart showing our new design;
FIG. 2 is a left elevation view thereof;
FIG. 3 is a right elevation view thereof;
FIG. 4 is a front elevation view thereof;
FIG. 5 is a top plan view thereof;
FIG. 6 is a rear elevation view thereof; and,
FIG. 7 is a bottom plan view thereof.
The broken lines shown in FIG. 1 are included for the purpose of illustrating environment and forms no part of the claimed design.

1 Claim, 5 Drawing Sheets

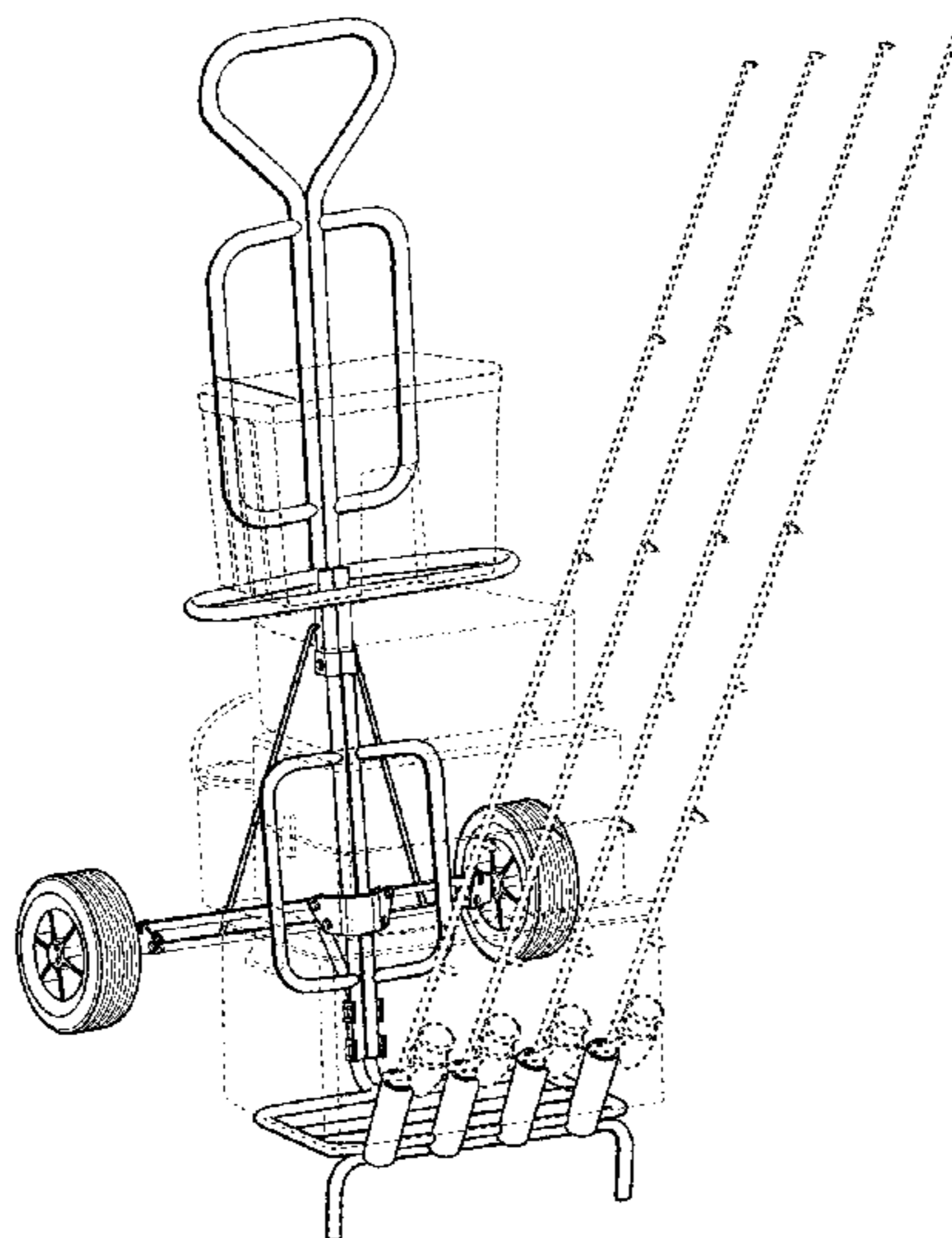


Fig. 1

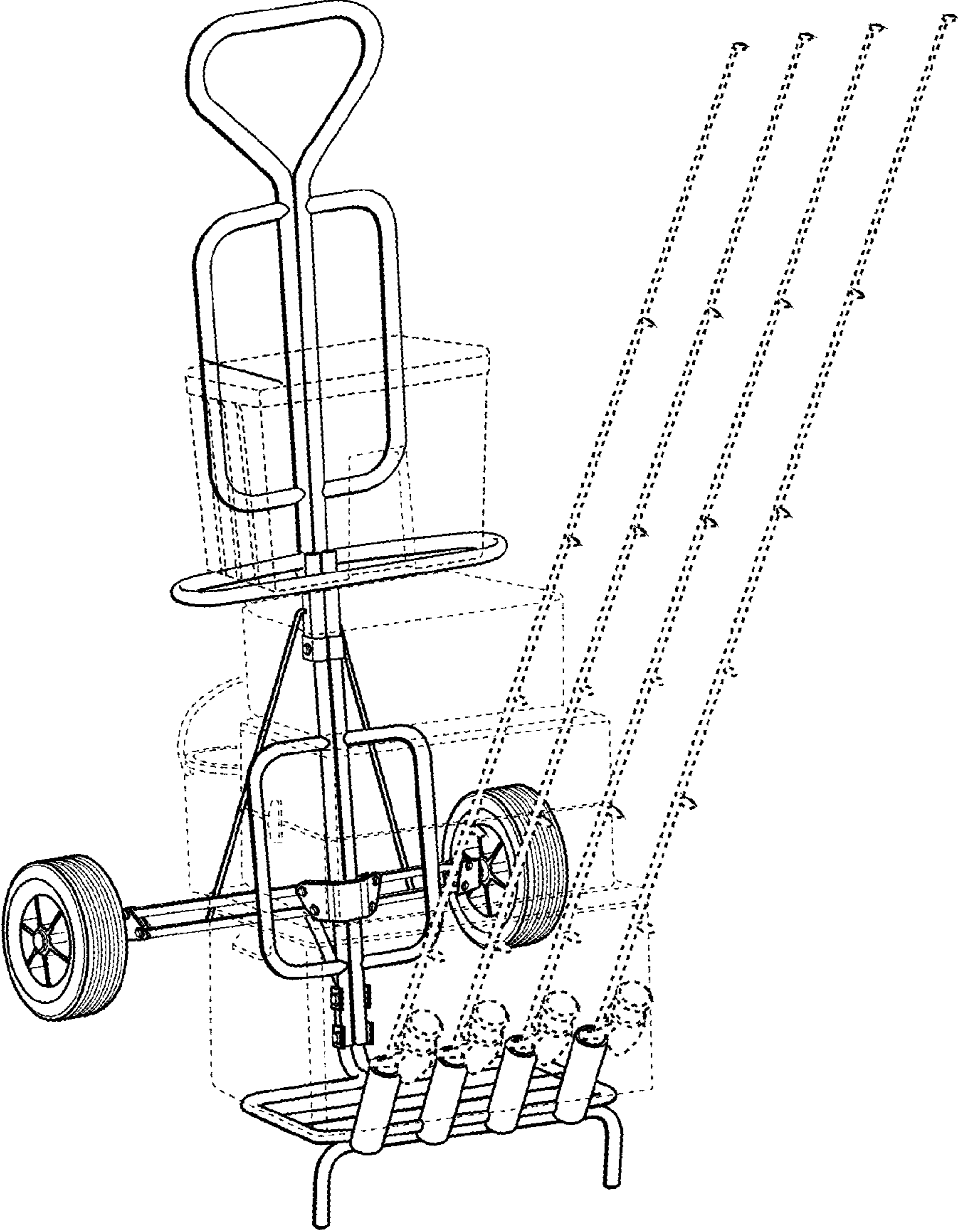


Fig. 2

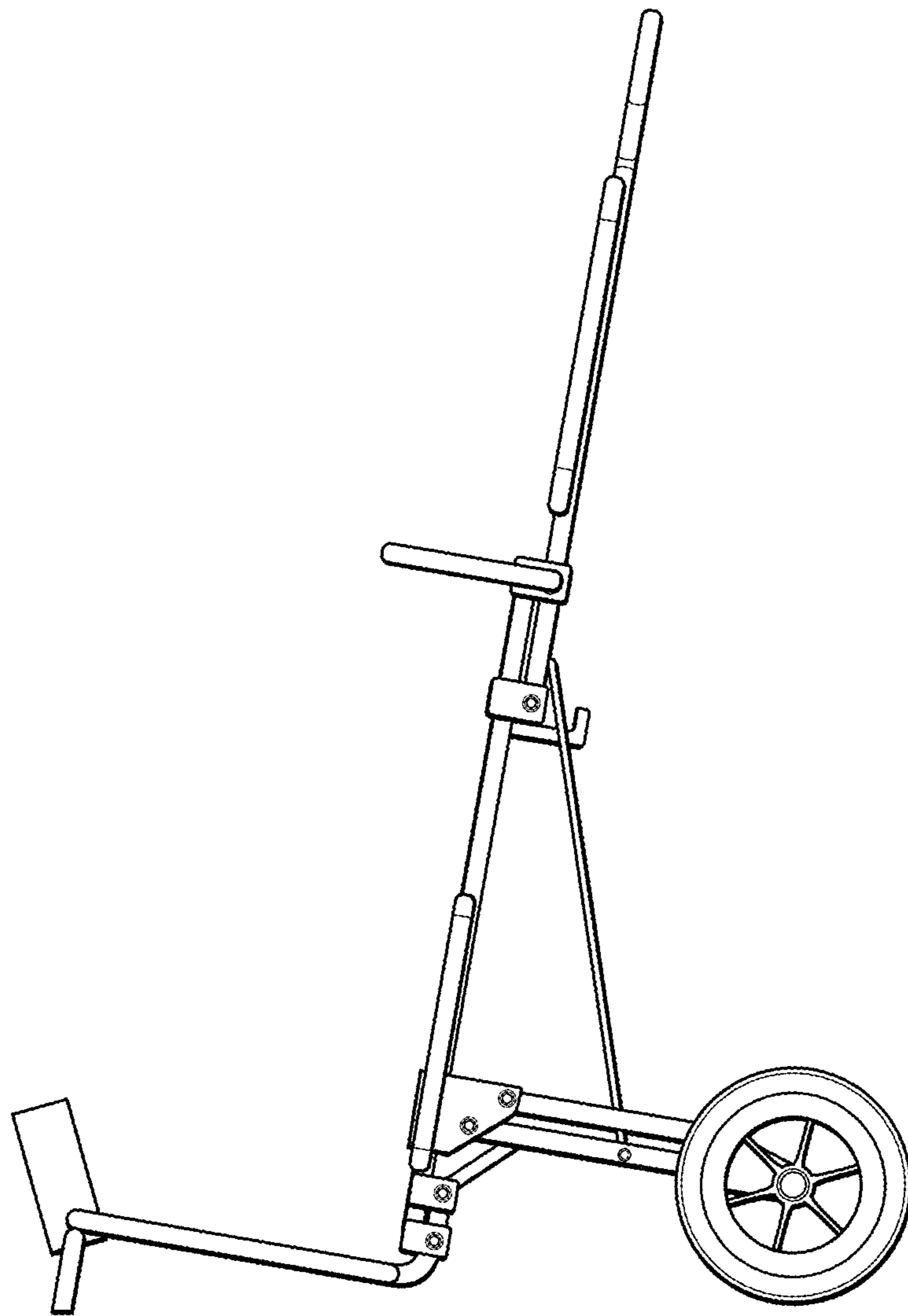


Fig. 3

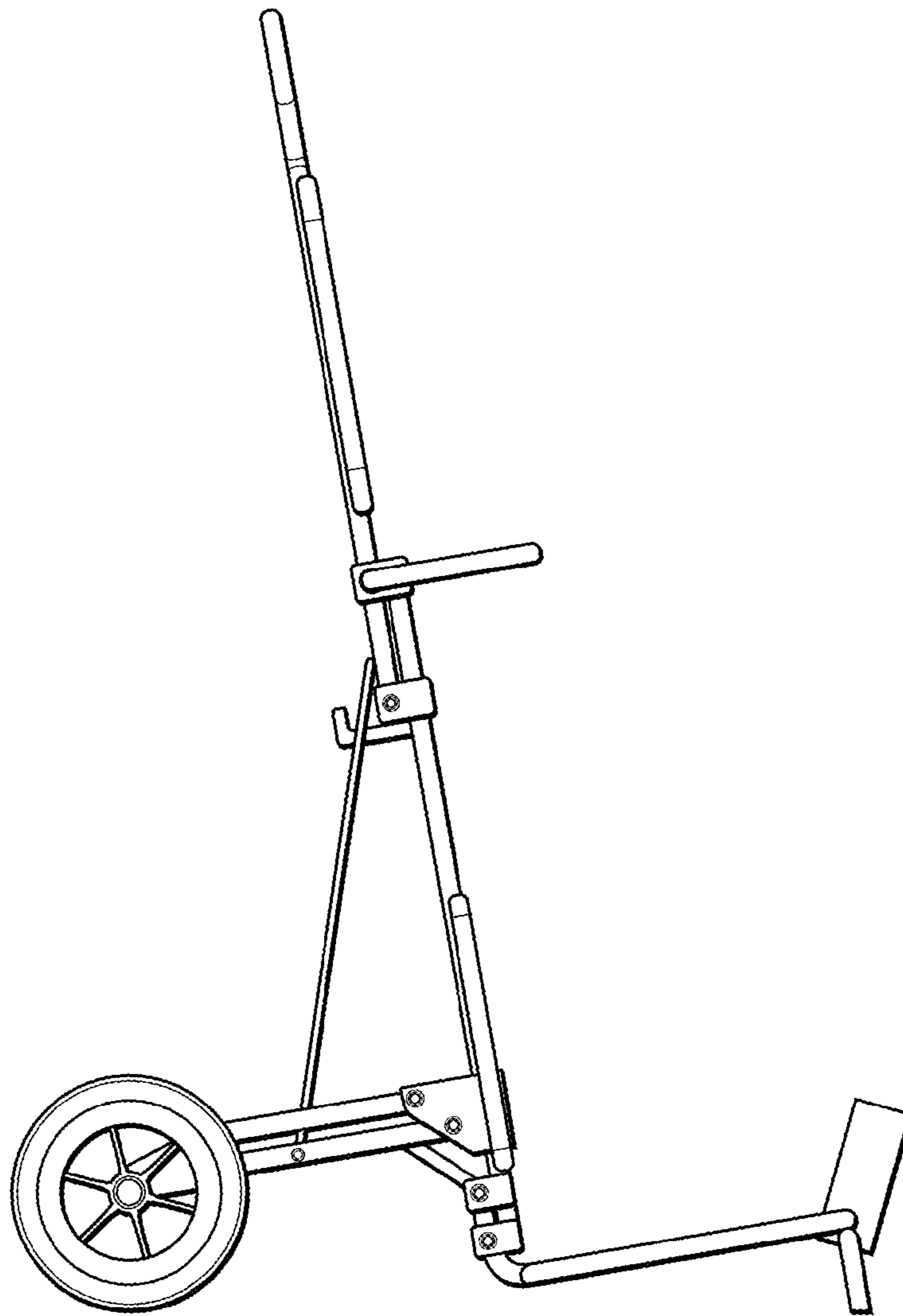


Fig. 5

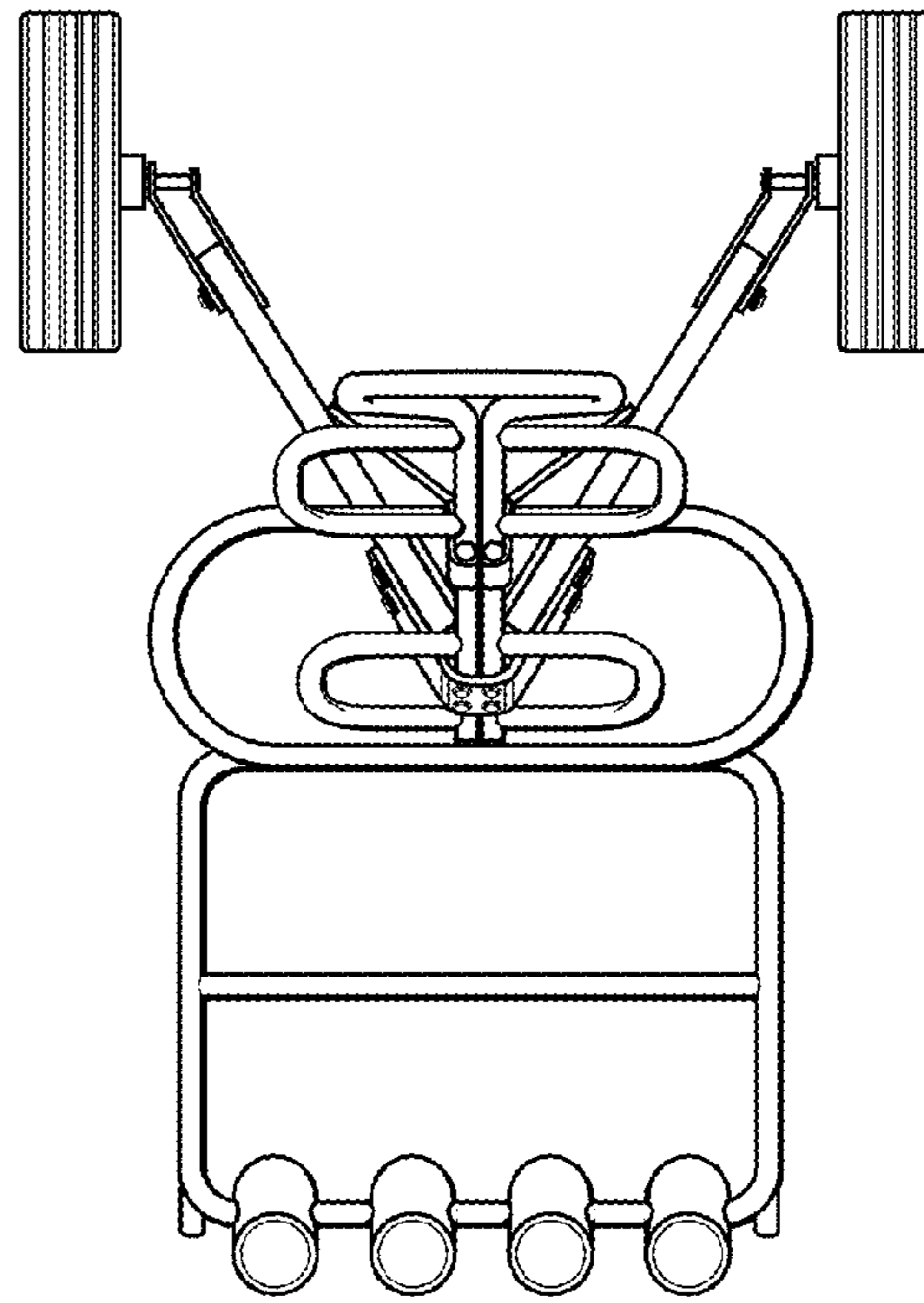


Fig. 4

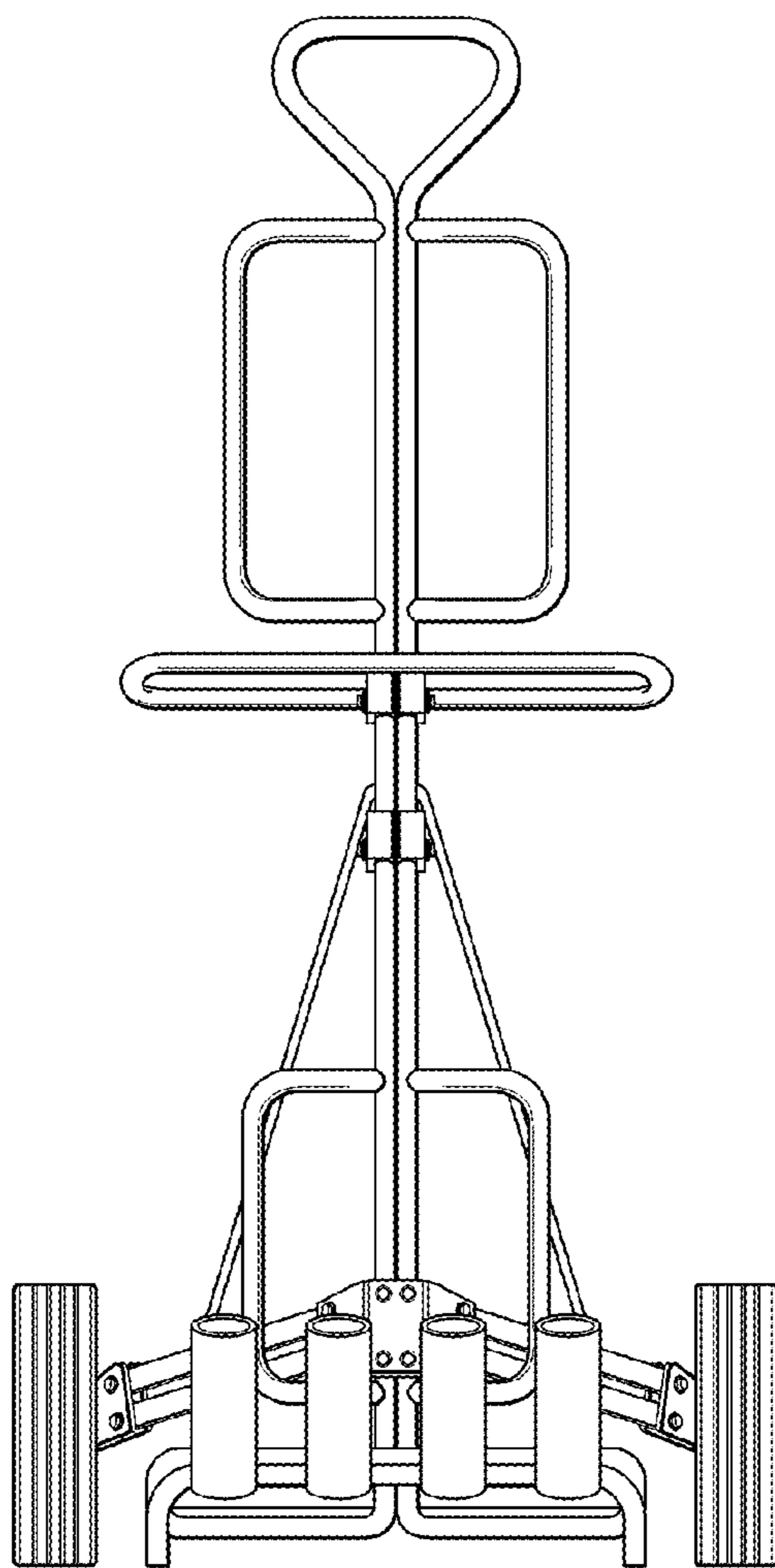


Fig. 6

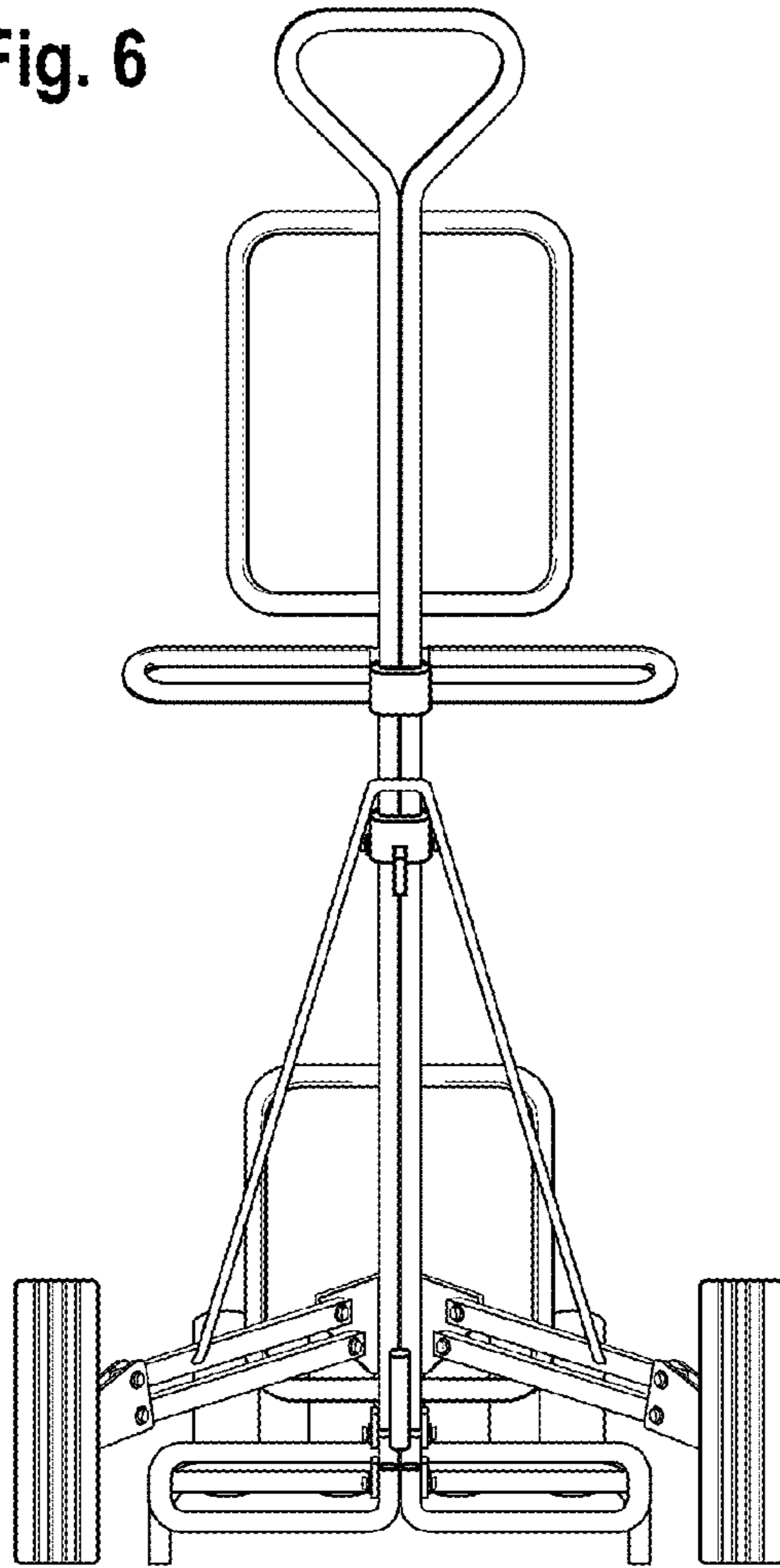


Fig. 7

