



US00D751785S

(12) **United States Design Patent**
Lychwick

(10) **Patent No.:** **US D751,785 S**
(45) **Date of Patent:** **** Mar. 15, 2016**

(54) **SUPPLE IMPACT SIMULATED TRASH CAN ASSEMBLY**

Primary Examiner — Cynthia Ramirez

(74) *Attorney, Agent, or Firm* — Tsz Lung Yeung

(71) Applicant: **Kurt P. Lychwick**, Greenfield, WI (US)

(72) Inventor: **Kurt P. Lychwick**, Greenfield, WI (US)

(**) Term: **14 Years**

(21) Appl. No.: **29/515,523**

(22) Filed: **Jan. 23, 2015**

Related U.S. Application Data

(63) Continuation-in-part of application No. 13/901,312, filed on May 23, 2013, now abandoned.

(51) **LOC (10) Cl.** **09-09**

(52) **U.S. Cl.**
USPC **D34/7; D22/117**

(58) **Field of Classification Search**
USPC D34/1-12; 220/908, 908.1; D22/117, D22/199; 463/47.2, 47.5
CPC B65D 25/28; B65F 1/1607; B65F 1/068; B65F 1/1415; B65F 1/08; B65F 1/264
See application file for complete search history.

(56) **References Cited**

U.S. PATENT DOCUMENTS

3,540,170	A *	11/1970	Flowers	A01K 97/01 135/100
D326,342	S *	5/1992	Doxey	D34/11
5,865,338	A *	2/1999	Conn	B29C 47/0023 220/623
6,808,081	B1 *	10/2004	Citro	B65D 25/2805 116/63 P
7,628,289	B1 *	12/2009	Boyd	B65F 1/141 220/484
D613,018	S *	3/2010	Greene	D34/5
7,766,186	B1 *	8/2010	Brown	B65F 1/02 220/772
D643,986	S *	8/2011	Soto	D34/1
D742,611	S *	11/2015	Tuncel	D34/1
2009/0026208	A1 *	1/2009	McKenzie	B65F 1/068 220/495.06

* cited by examiner

(57) **CLAIM**

The ornamental design for a supple impact simulated trash can assembly, as shown and described.

DESCRIPTION

FIG. 1 is a perspective view of a supple impact simulated trash can assembly in accordance with the present invention.

FIG. 2 is a front view thereof.

FIG. 3 is a rear view thereof.

FIG. 4 is a left end view thereof.

FIG. 5 is a right end view thereof.

FIG. 6 is a top view thereof.

FIG. 7 is a bottom view thereof.

FIG. 8 is a perspective view showing a lid of the supple impact simulated trash can assembly in accordance with the present invention.

FIG. 9 is a front view thereof.

FIG. 10 is a rear view thereof.

FIG. 11 is a left end view thereof.

FIG. 12 is a right end view thereof.

FIG. 13 is a top view thereof.

FIG. 14 is a bottom view thereof.

FIG. 15 is a perspective view showing a trash can of the supple impact simulated trash can assembly in accordance with the present invention.

FIG. 16 is a front view thereof.

FIG. 17 is a rear view thereof.

FIG. 18 is a left end view thereof.

FIG. 19 is a right end view thereof.

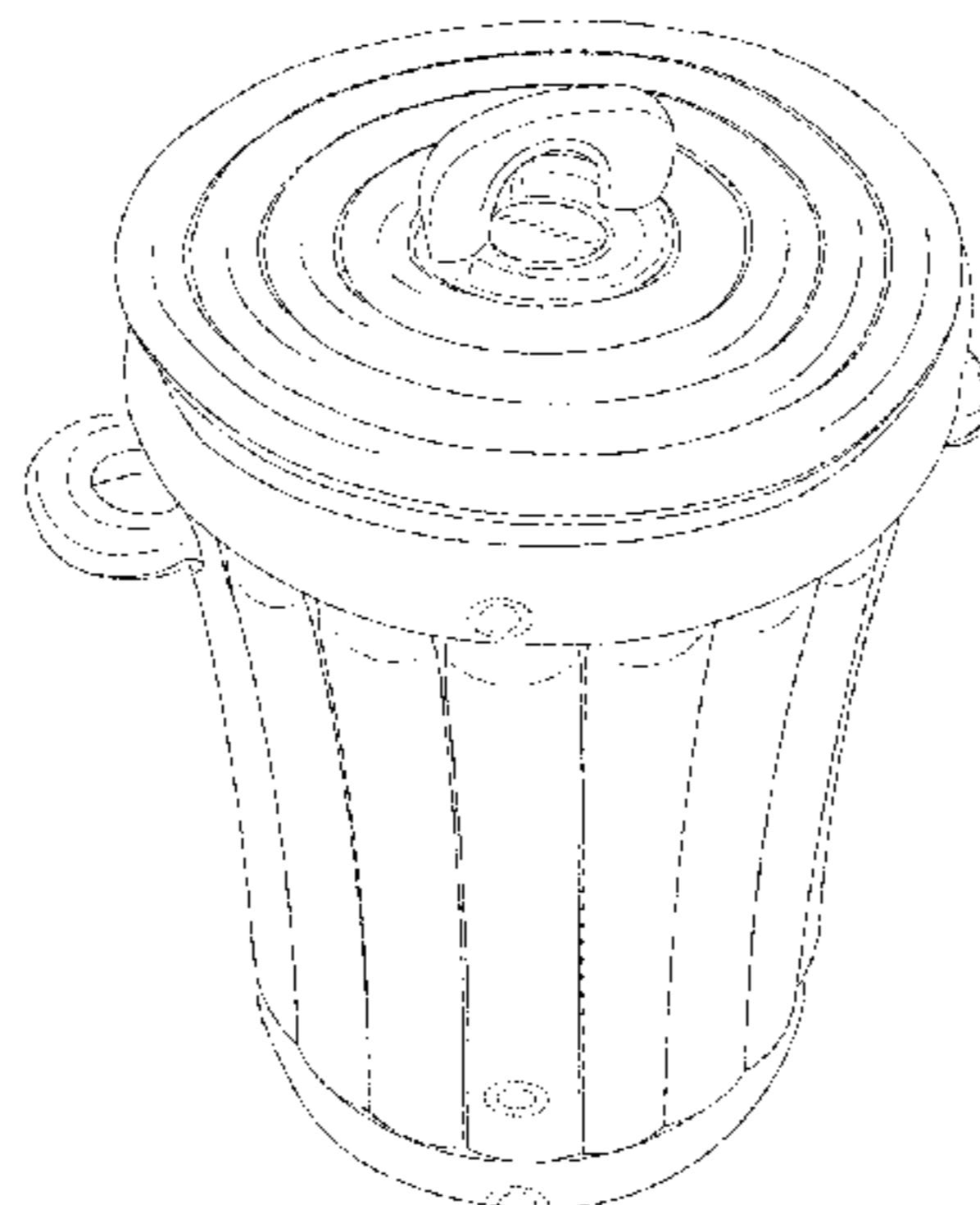
FIG. 20 is a top view thereof; and,

FIG. 21 is a bottom view thereof.

The lid and the trashcan are shown separated in FIGS. 8 through 15 and 16 through 21 respectively for convenience of illustration.

The inflating valves shown in broken lines in some of the figures are to show environment and are not part of the claimed design.

1 Claim, 19 Drawing Sheets



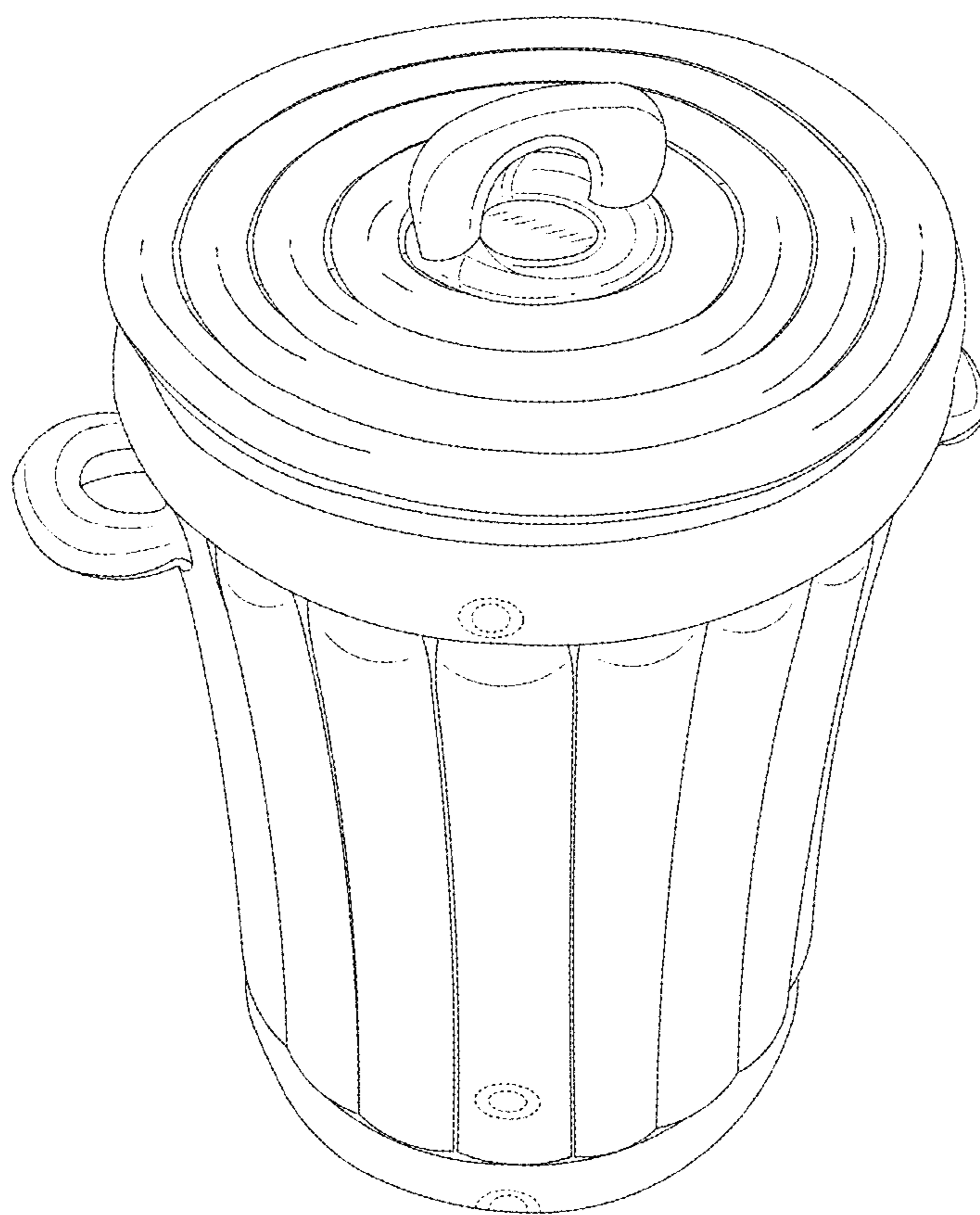


FIG. 1

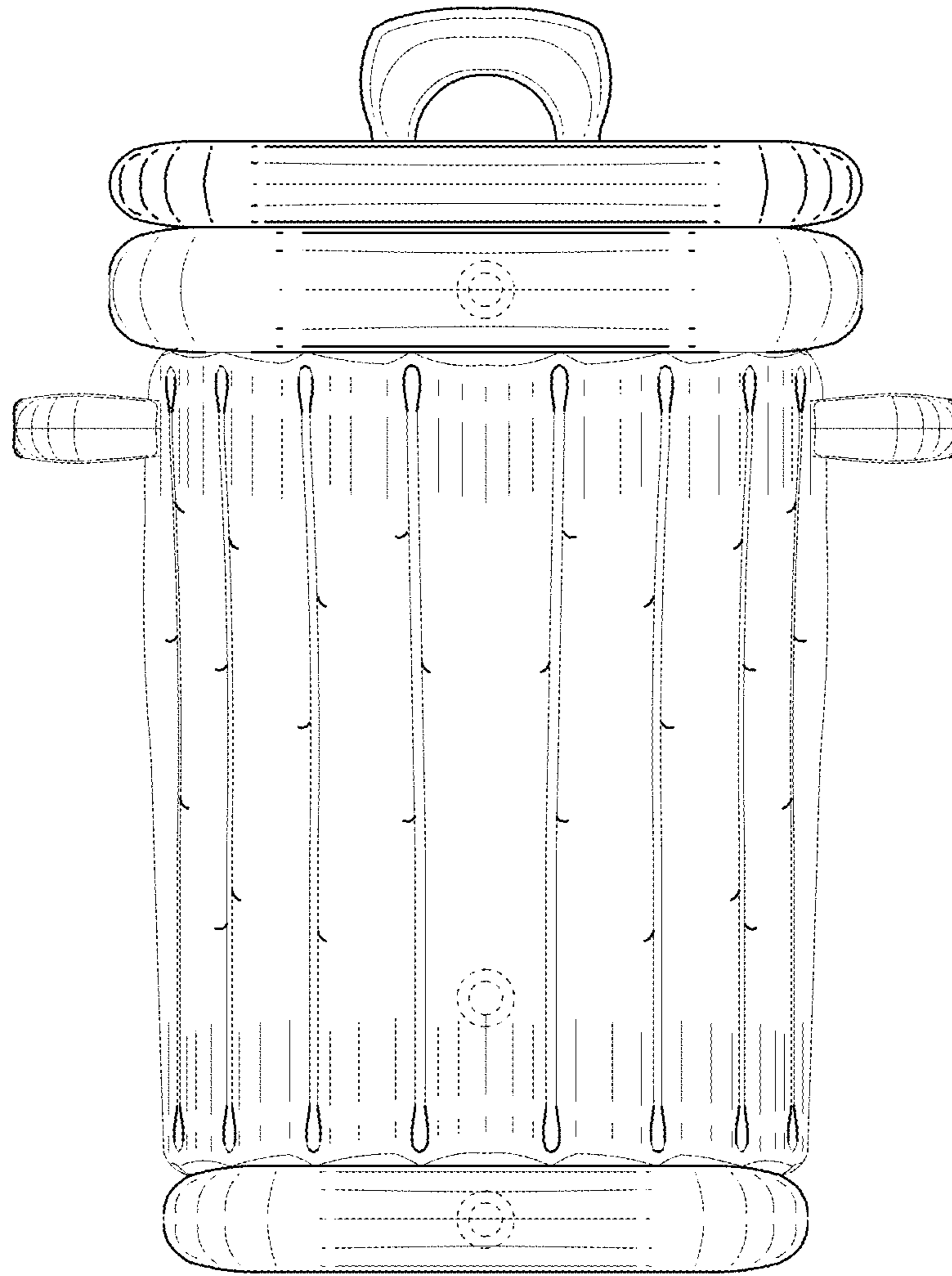


FIG. 2

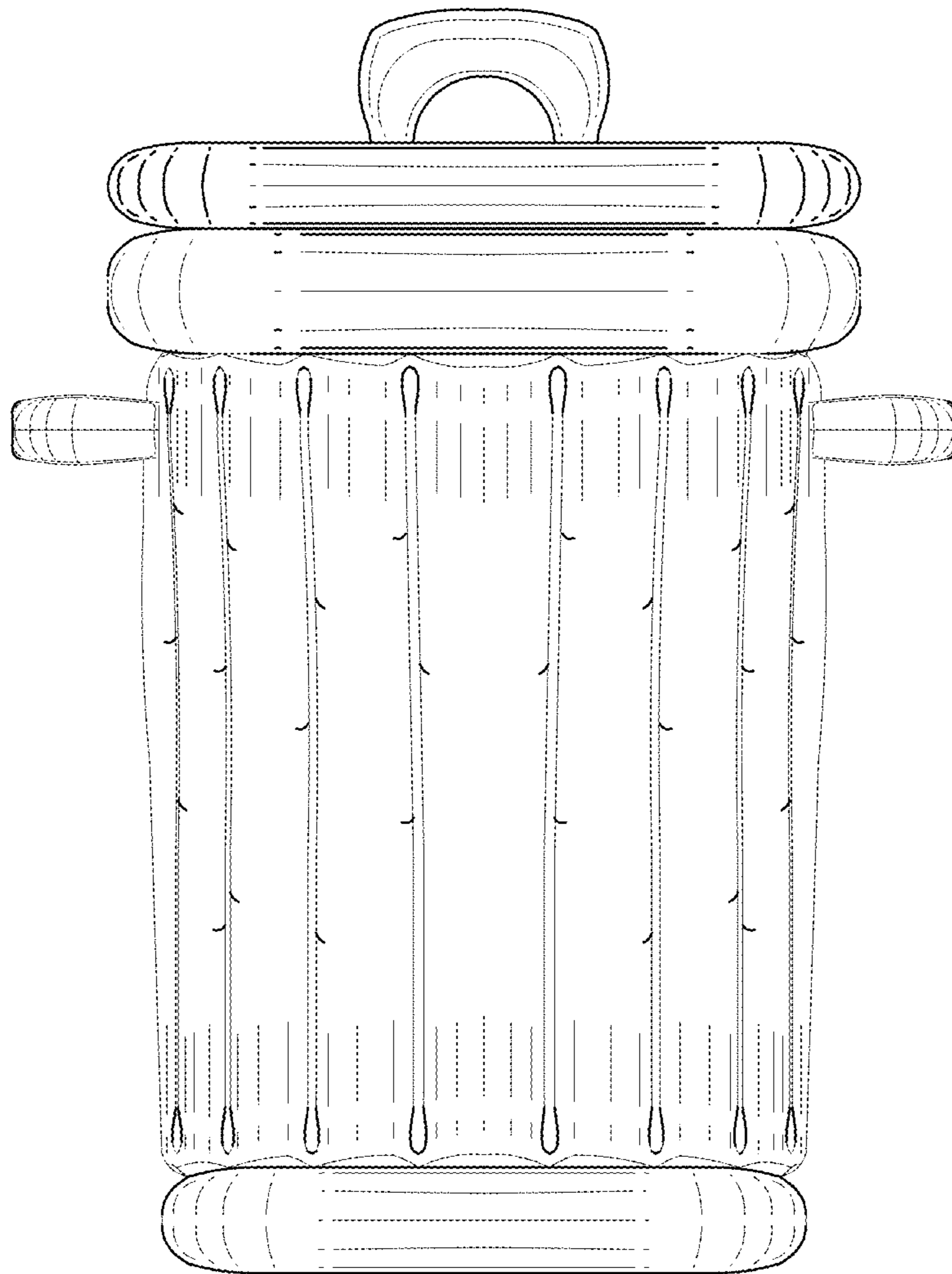


FIG. 3

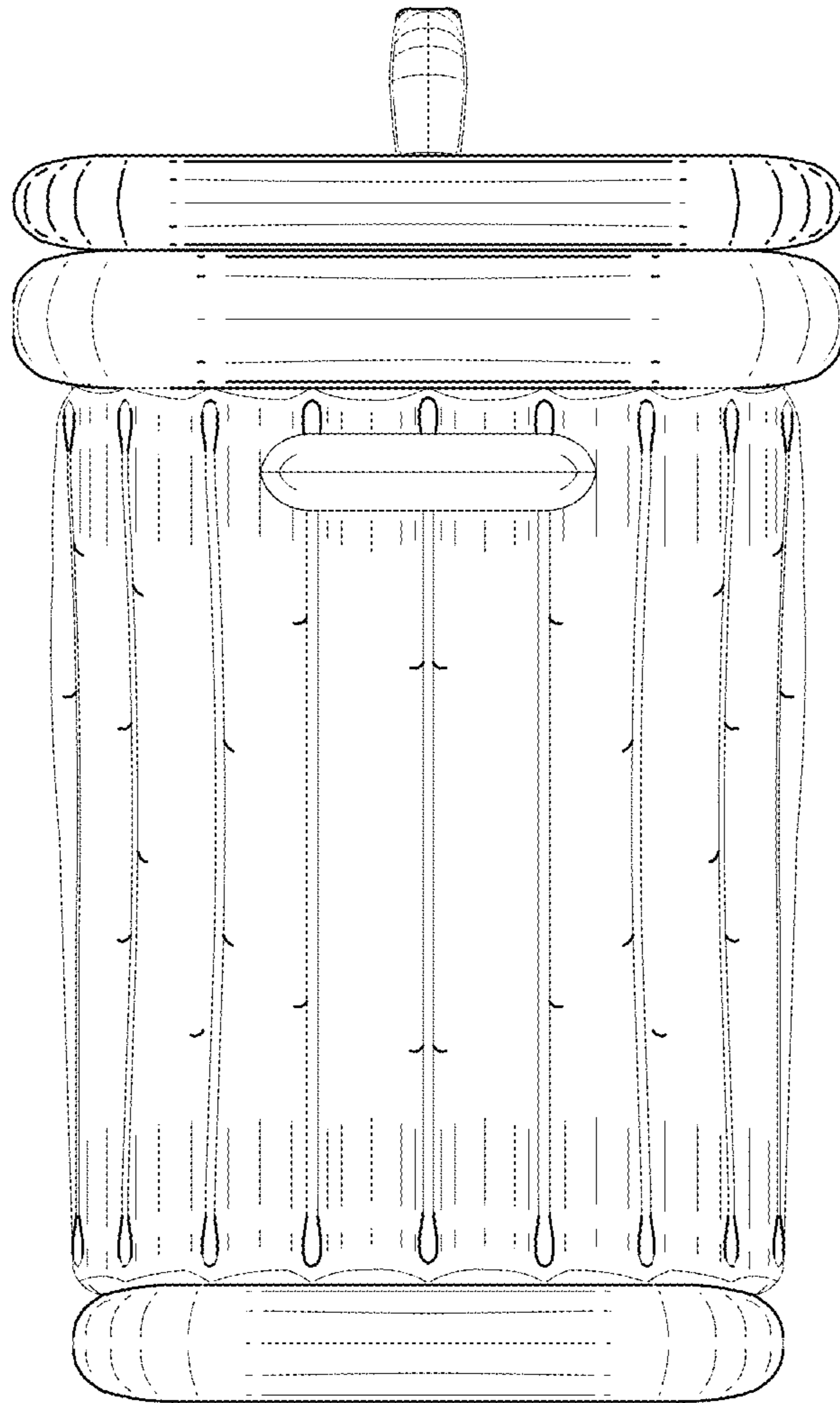


FIG. 4

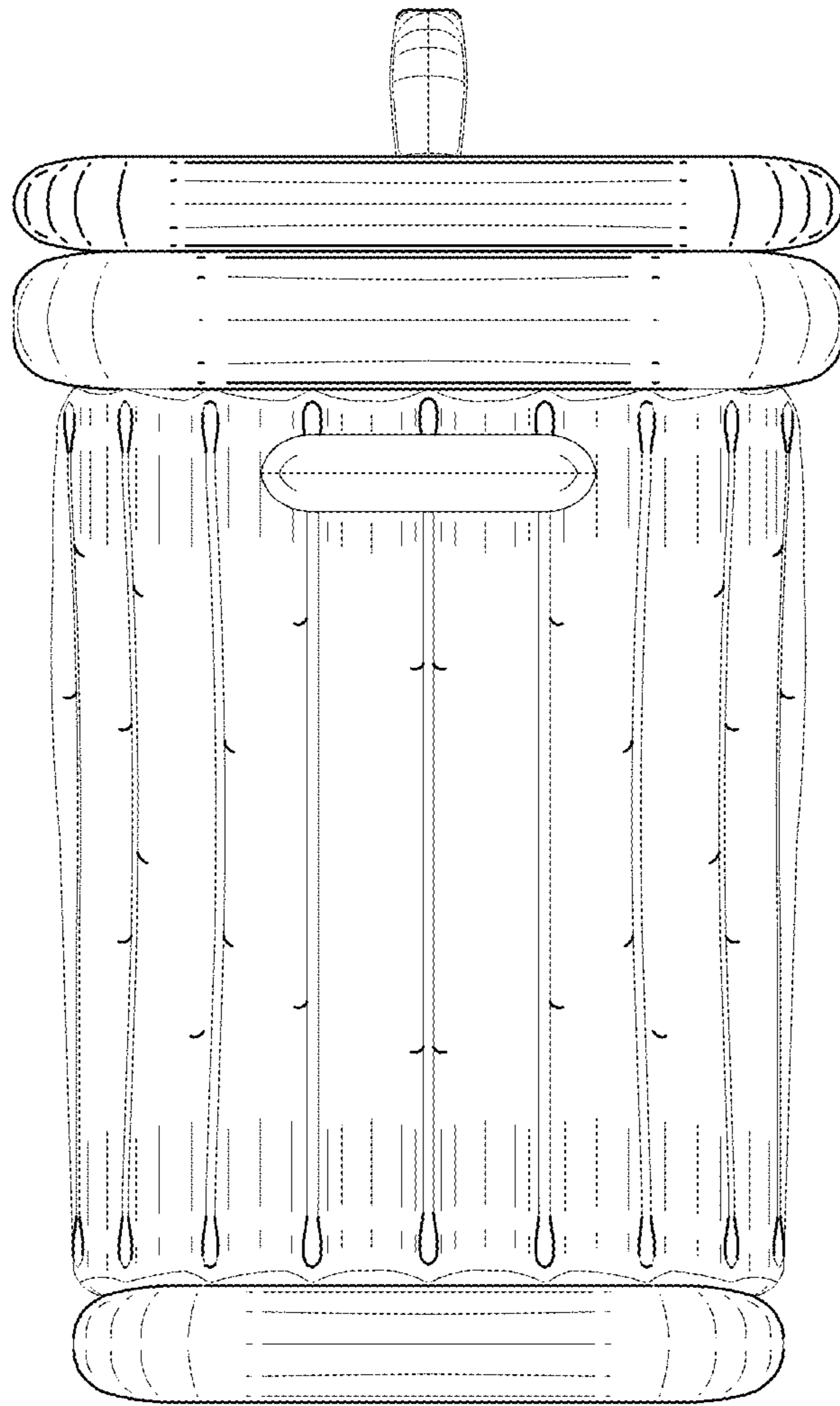


FIG. 5

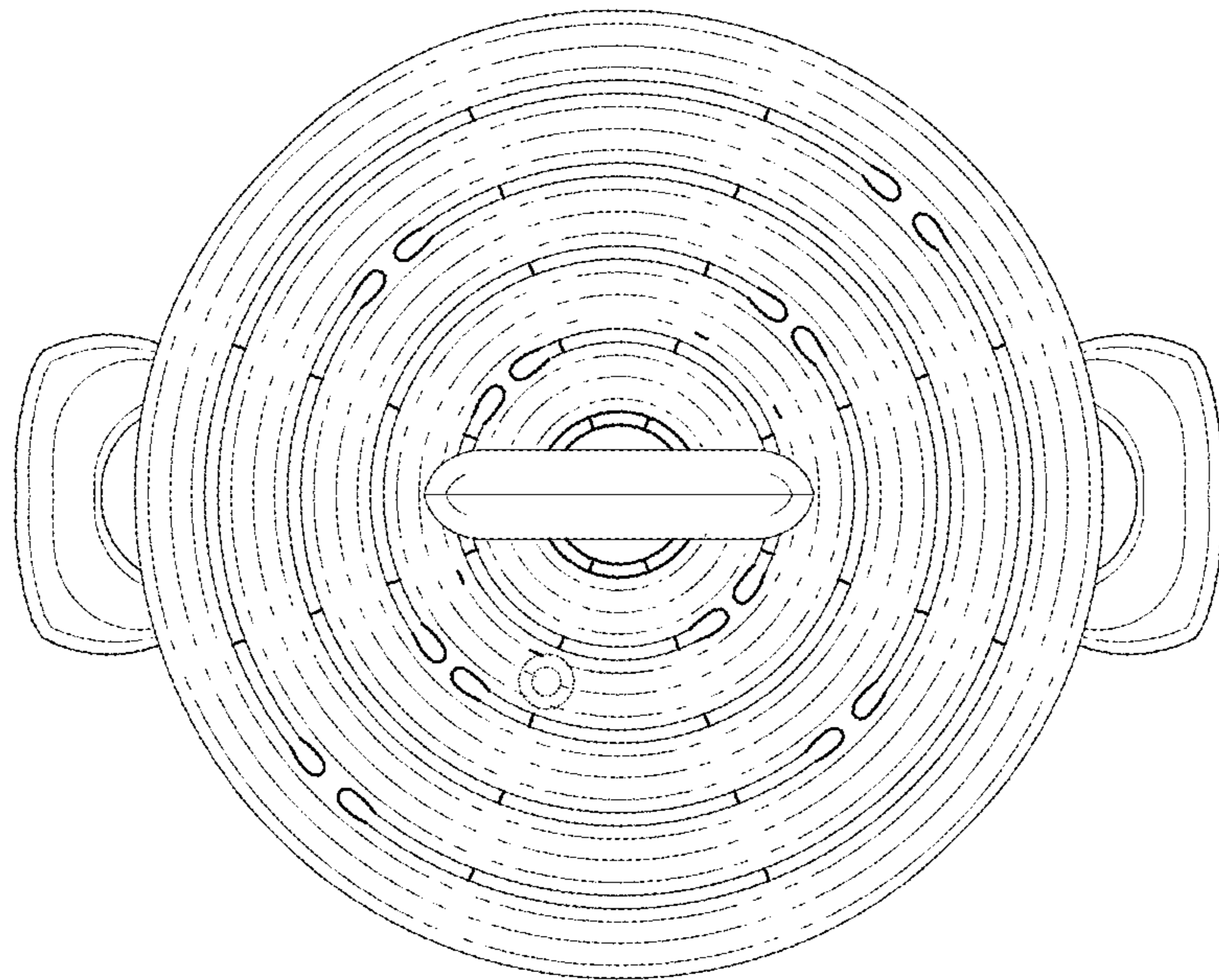


FIG. 6

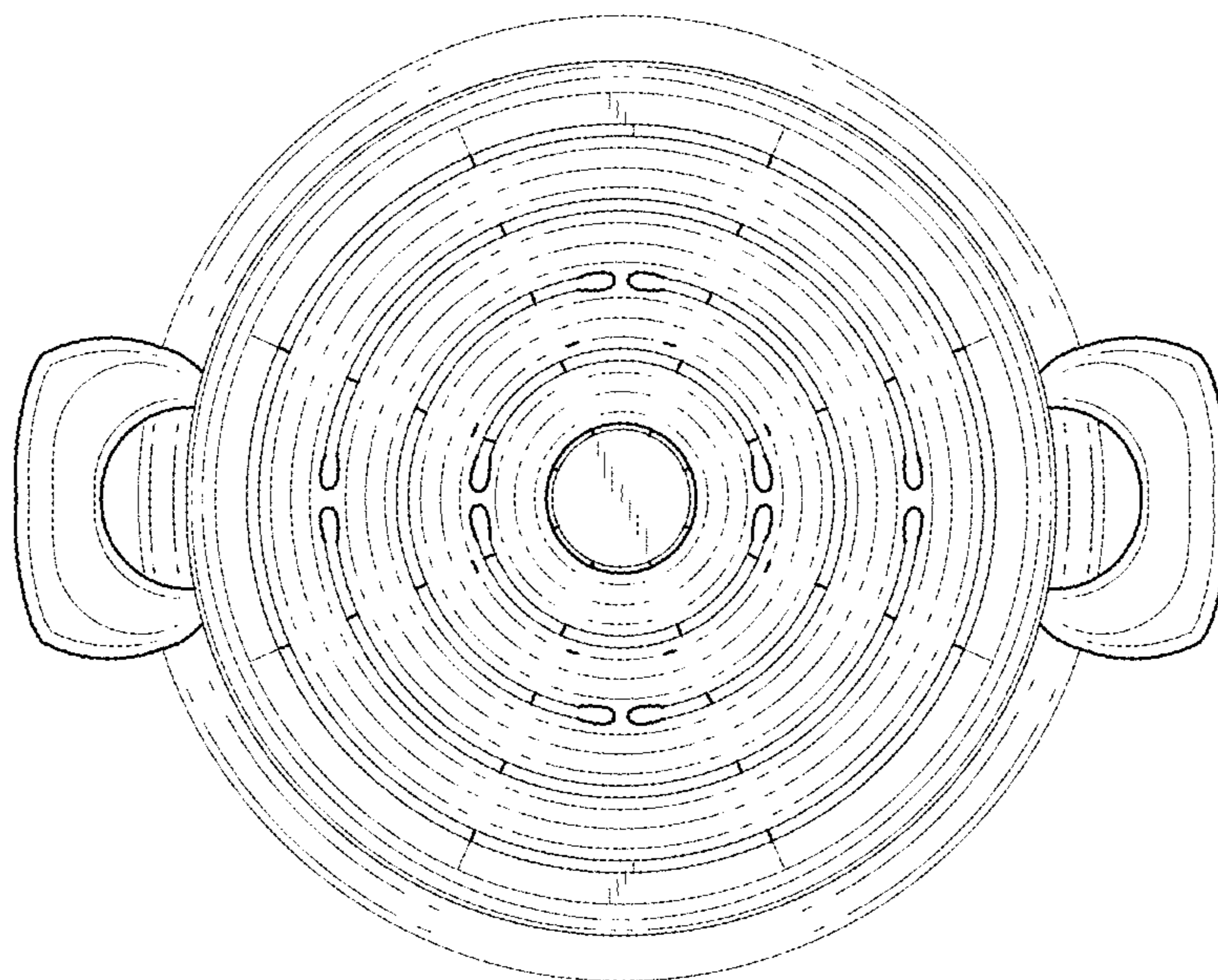


FIG. 7

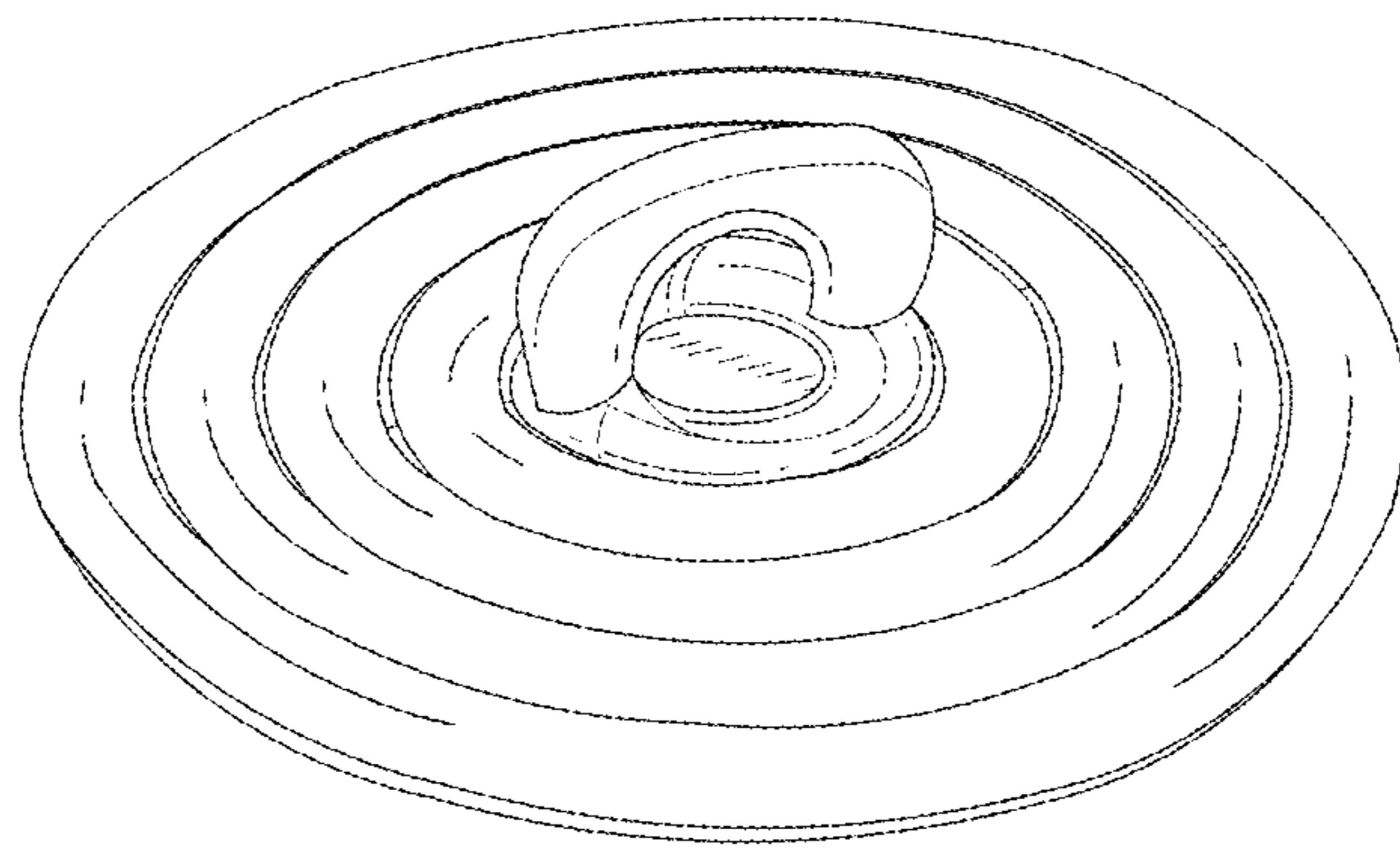


FIG. 8

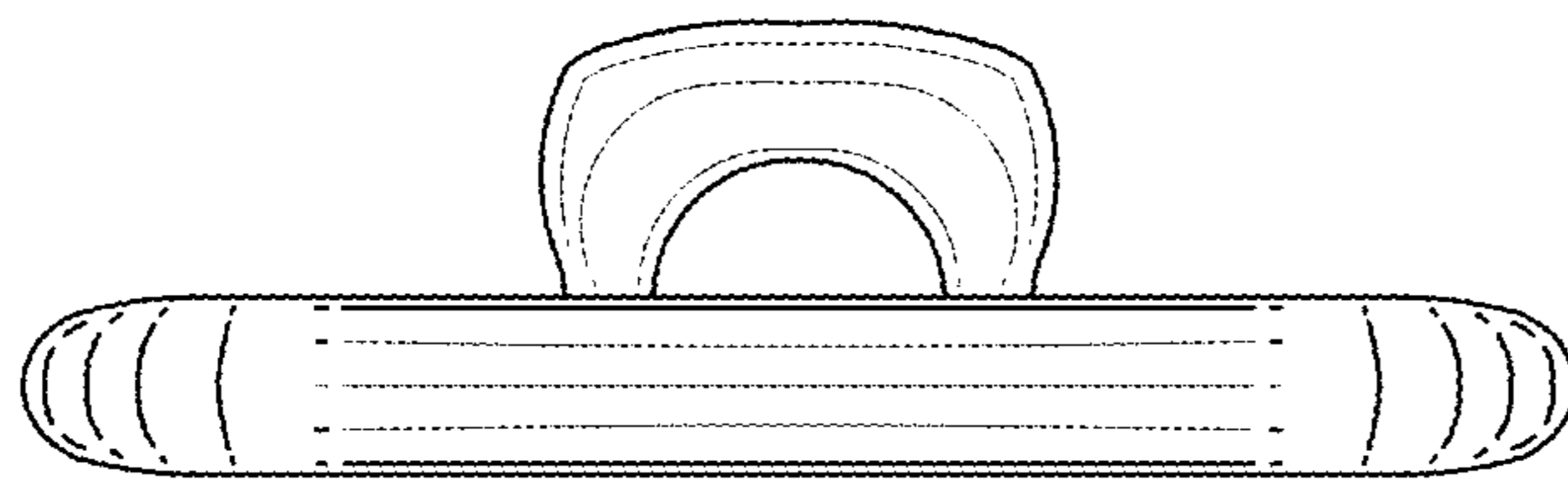


FIG. 9

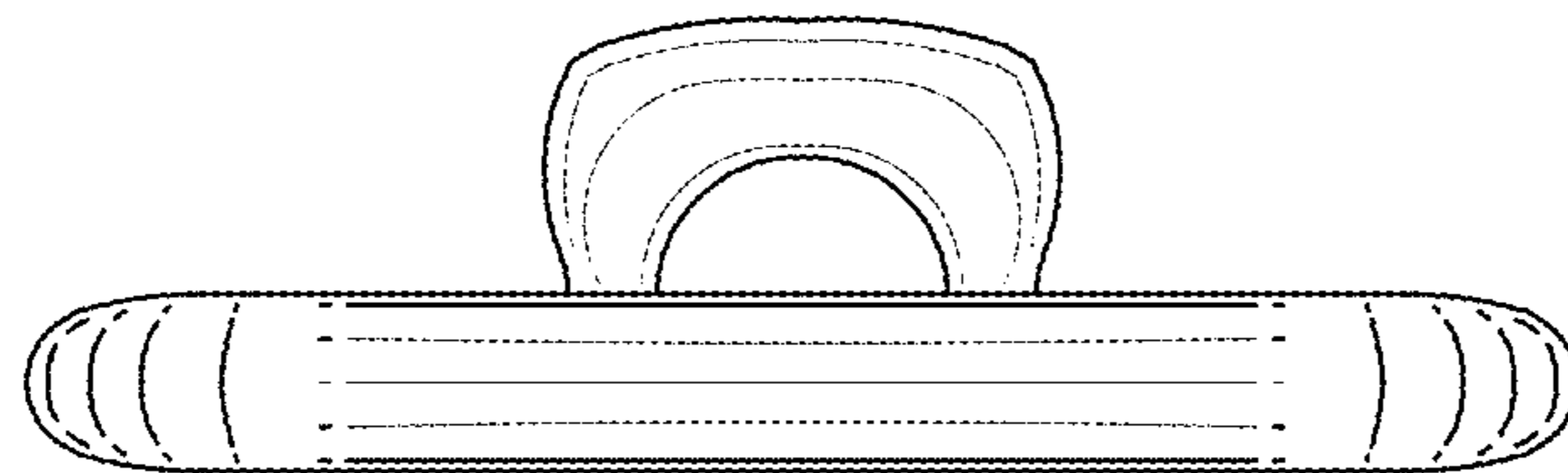


FIG. 10

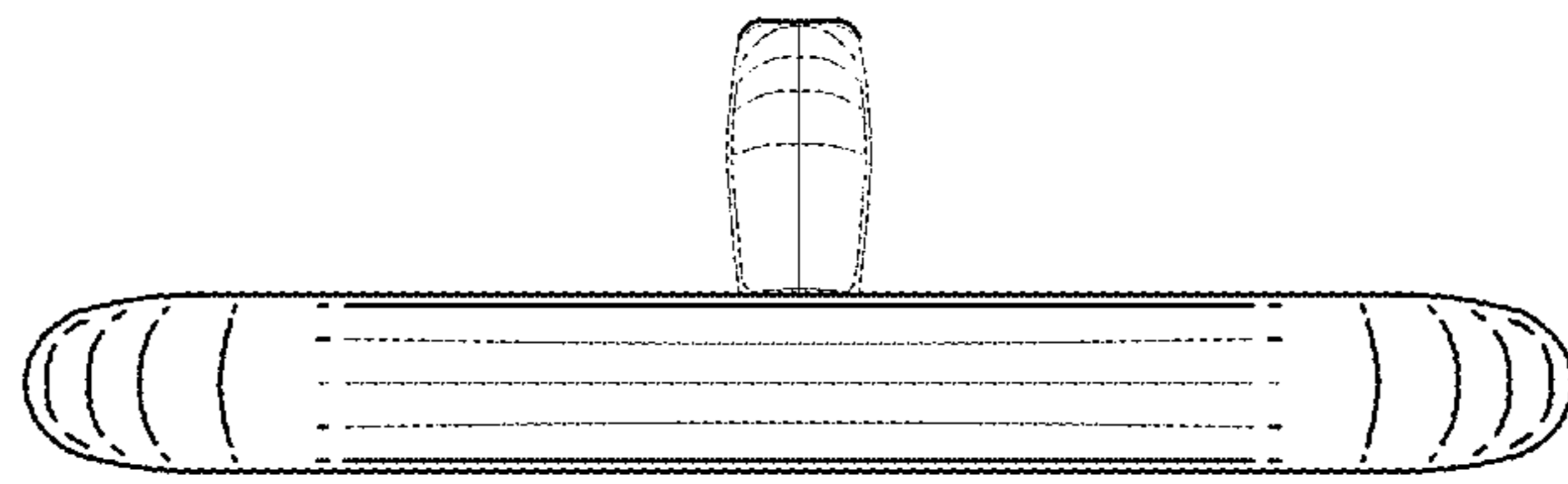


FIG. 11

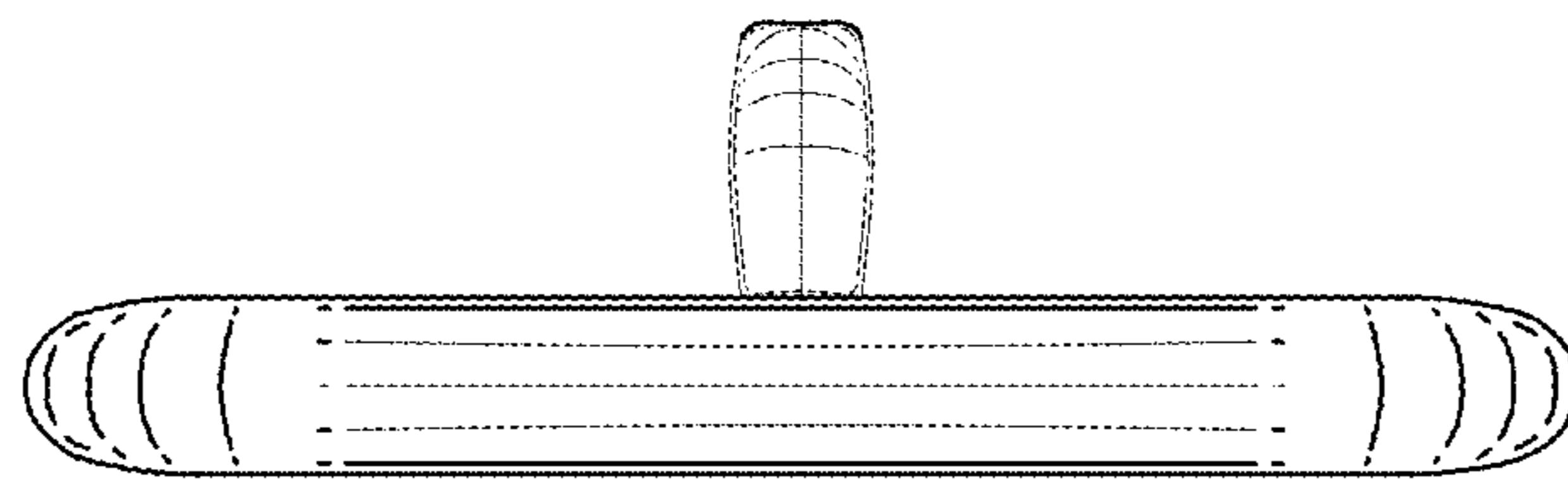


FIG. 12

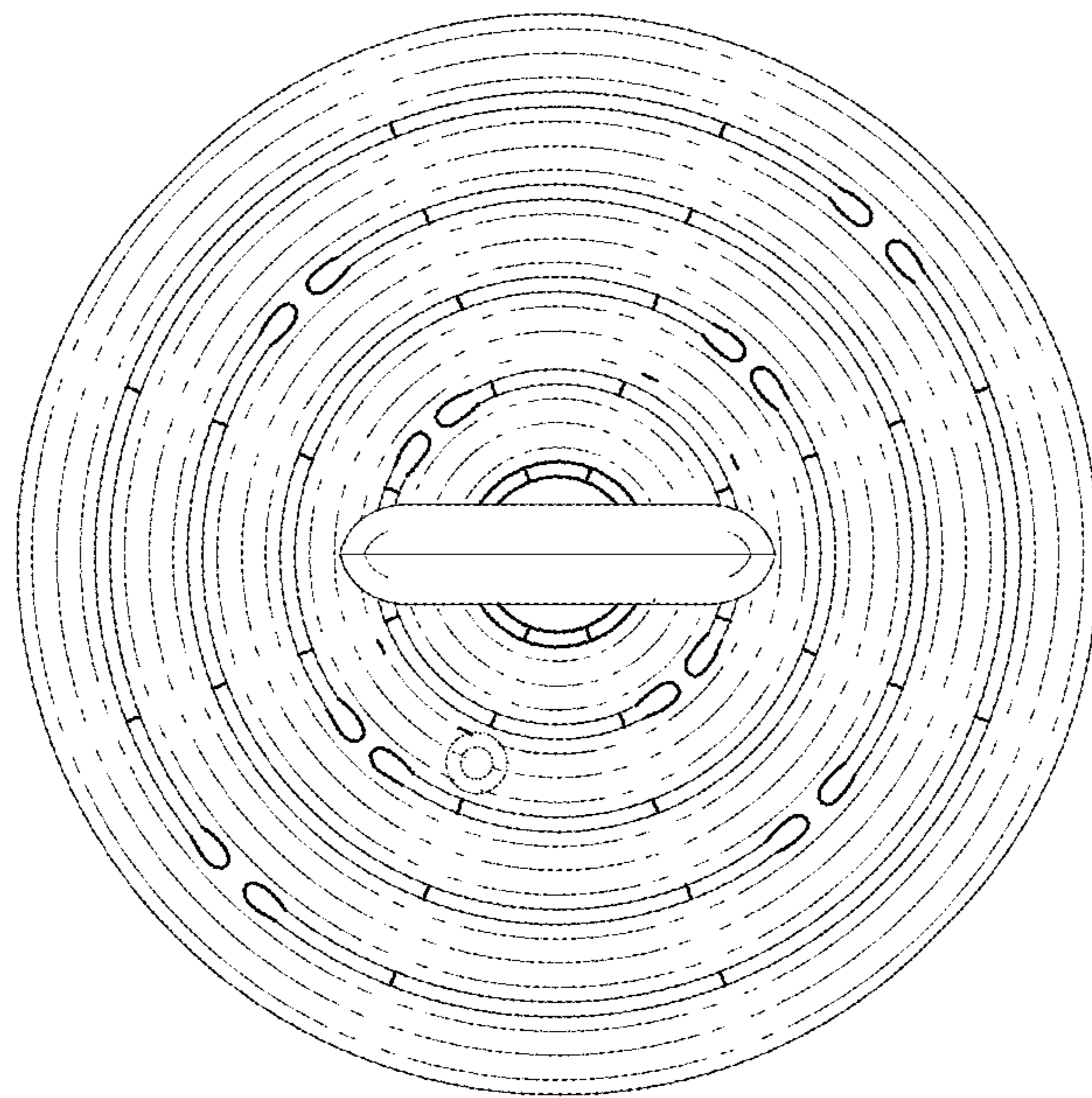


FIG. 13

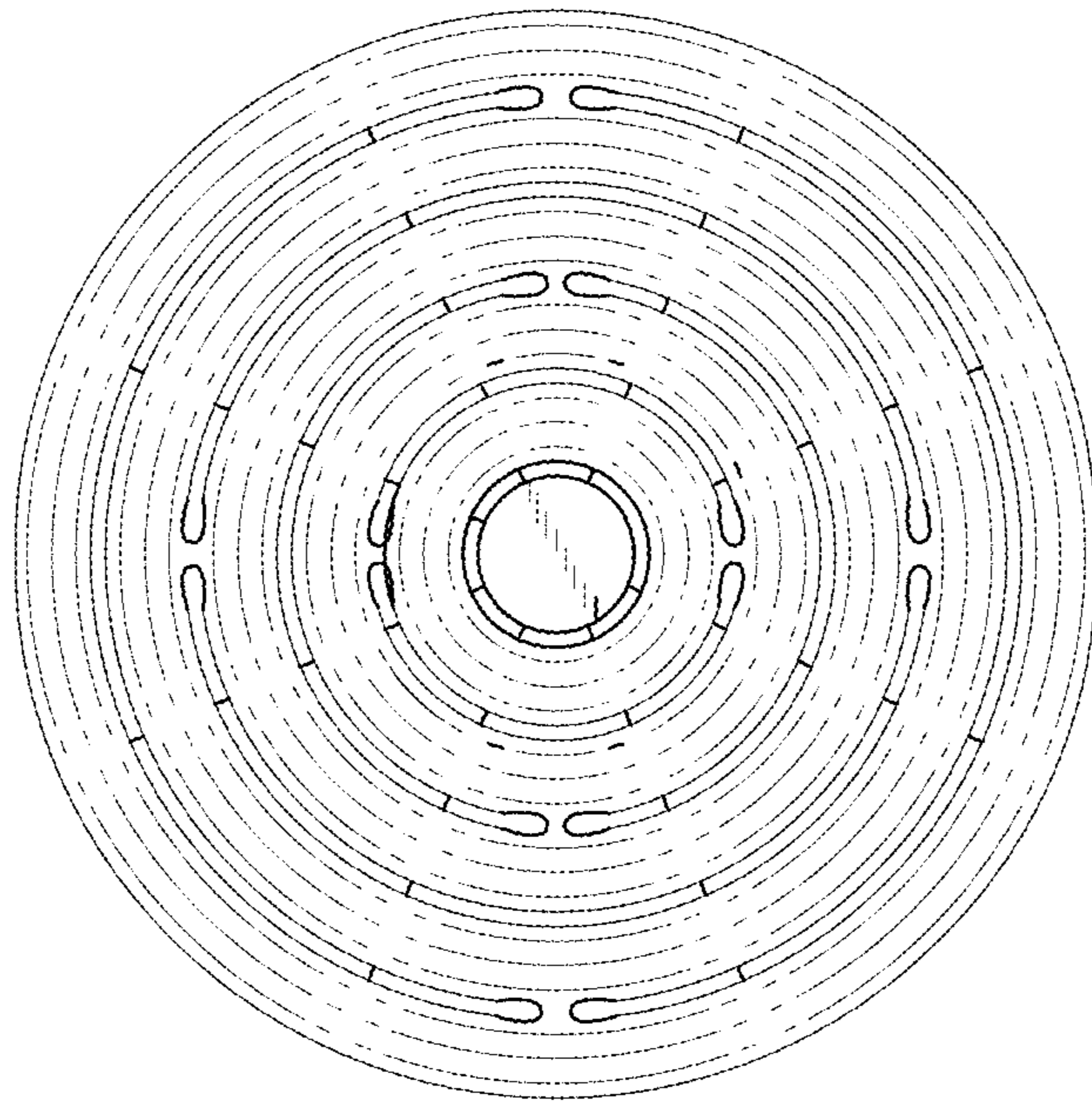


FIG. 14

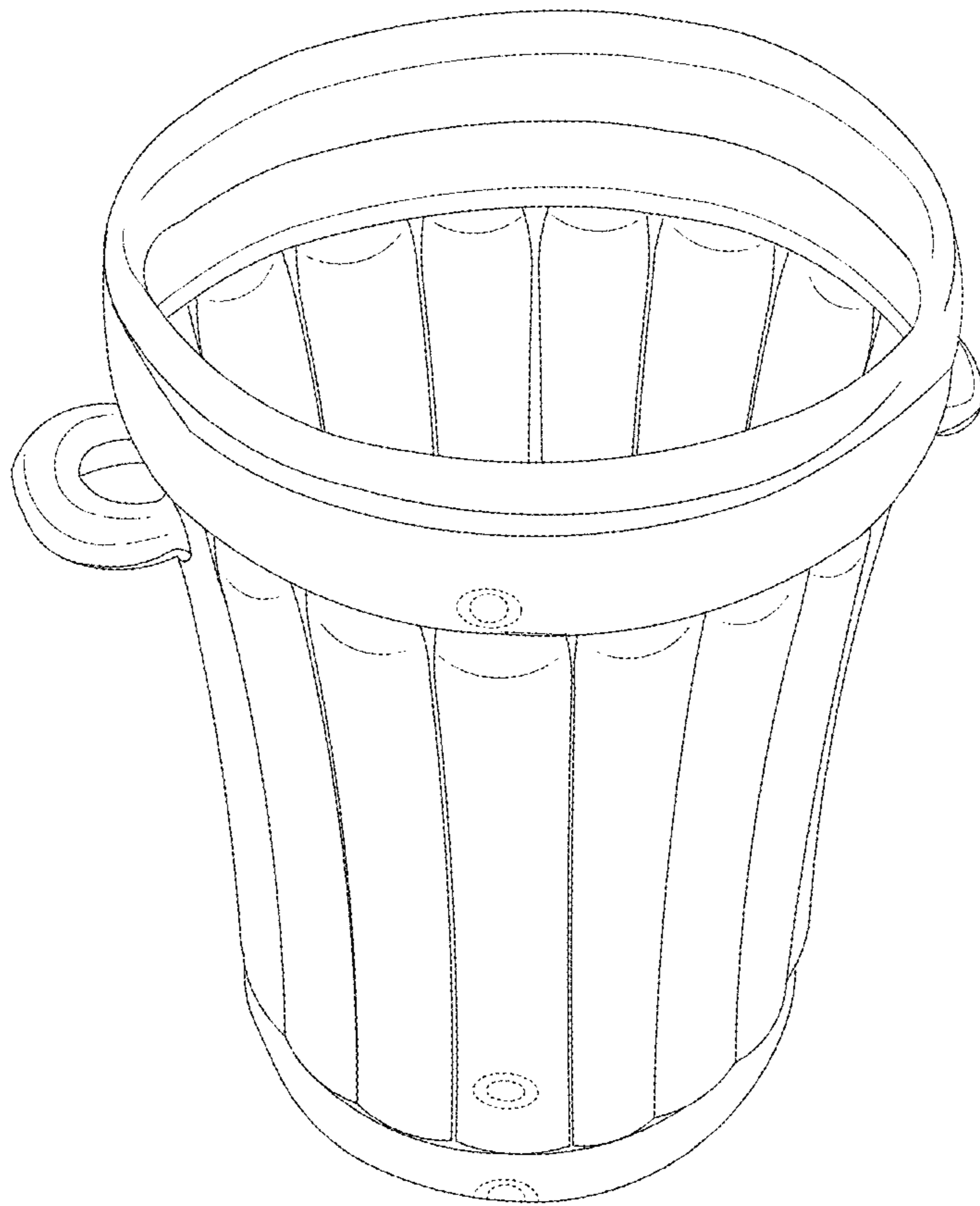


FIG. 15

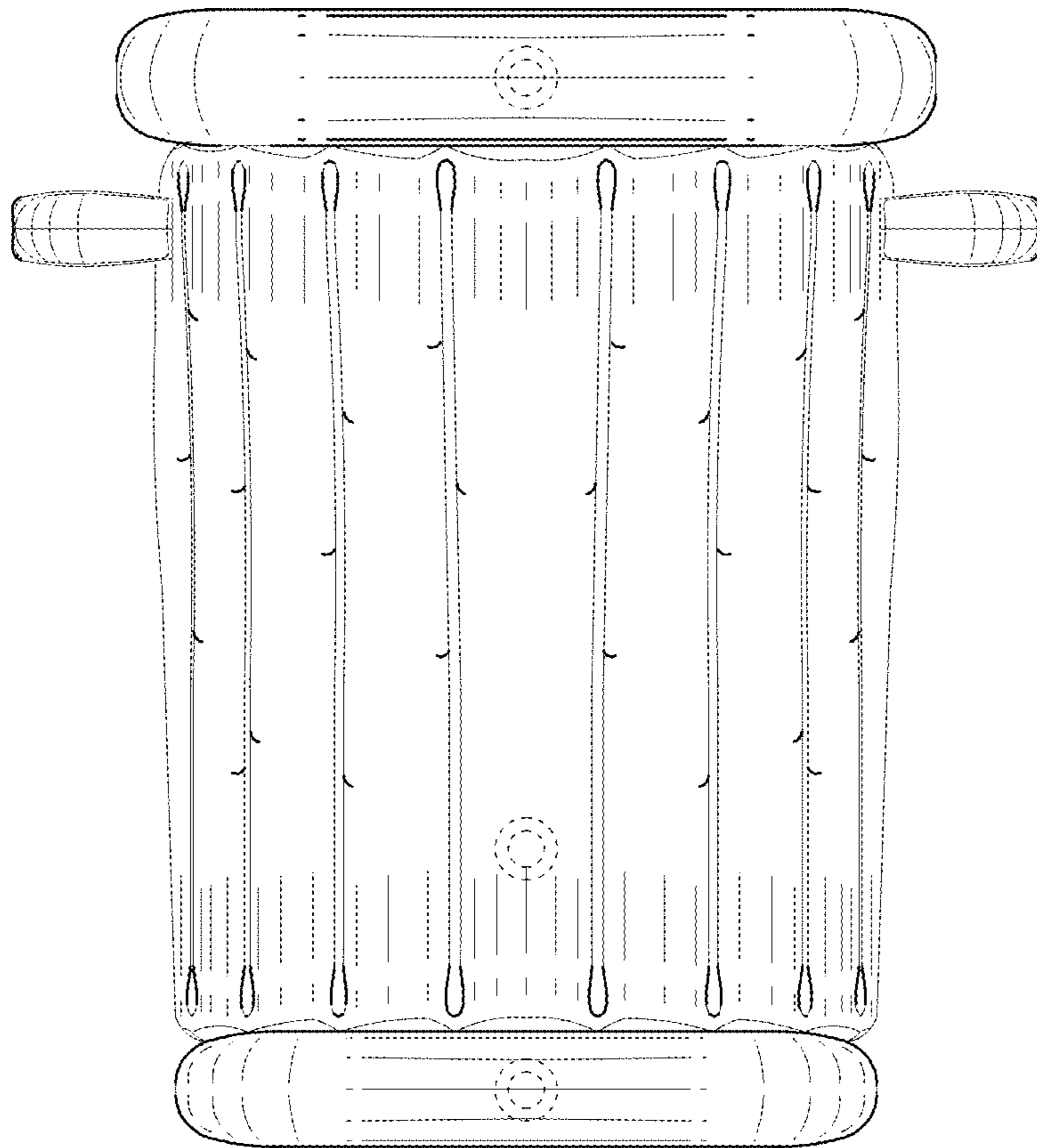


FIG. 16

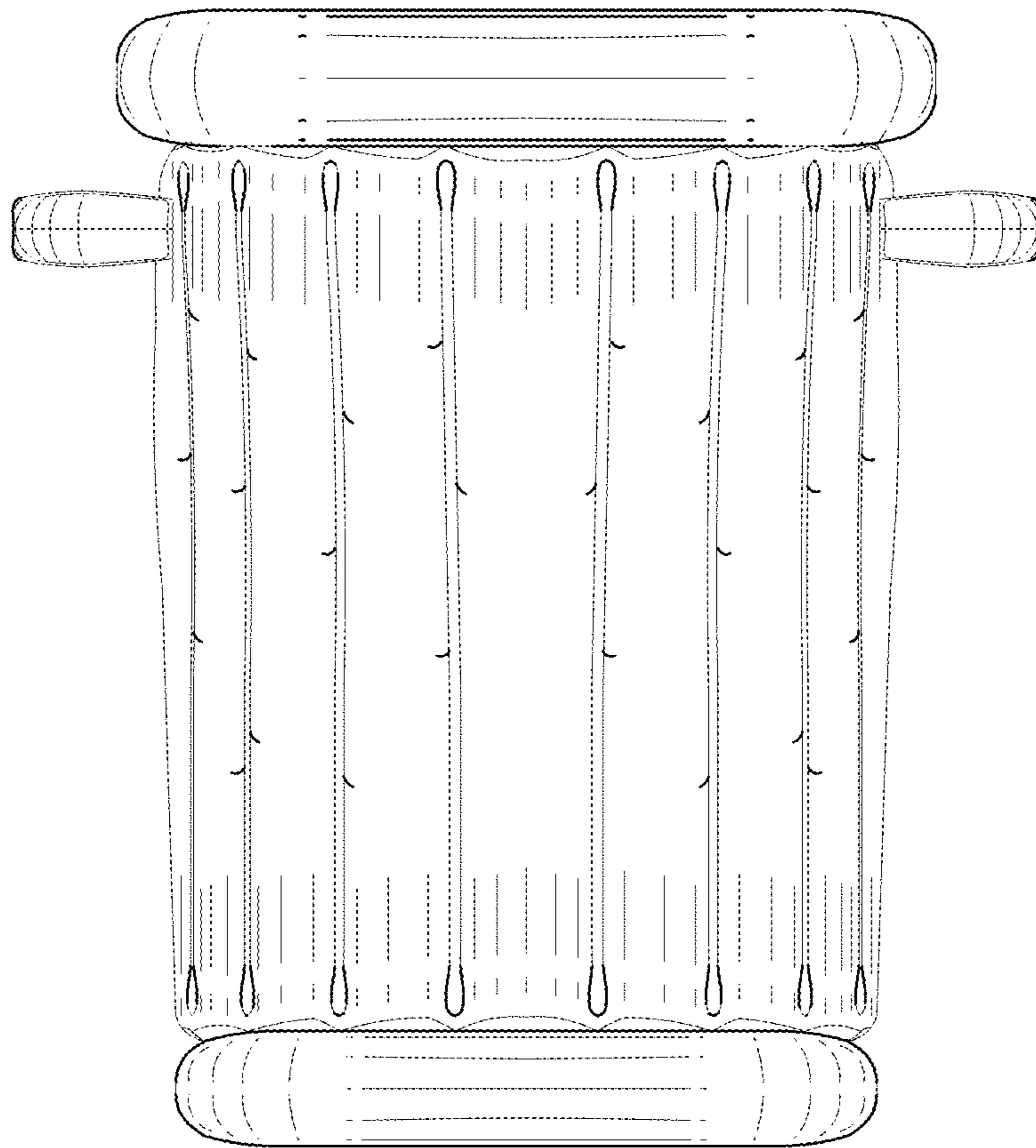


FIG. 17

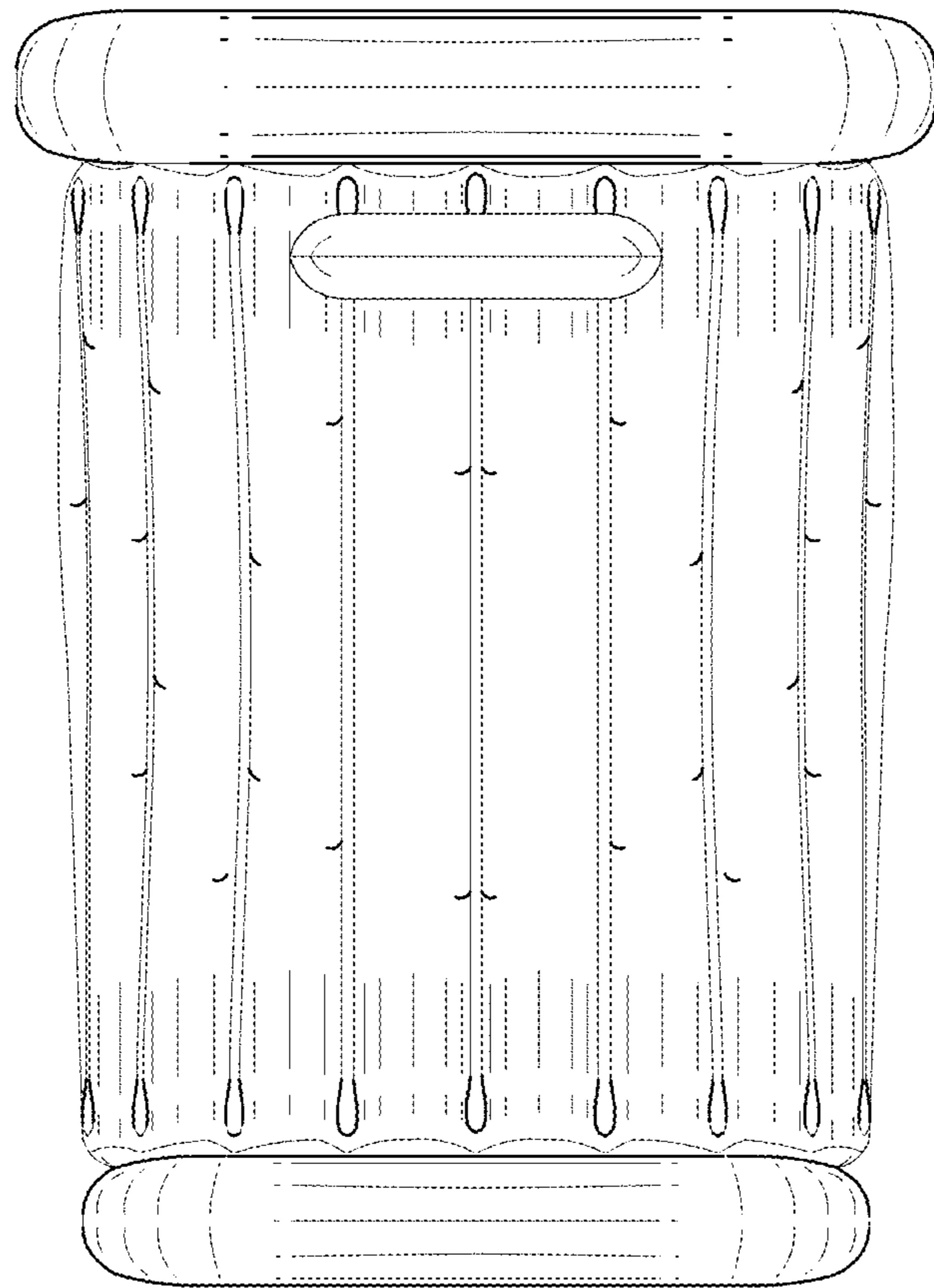


FIG. 18

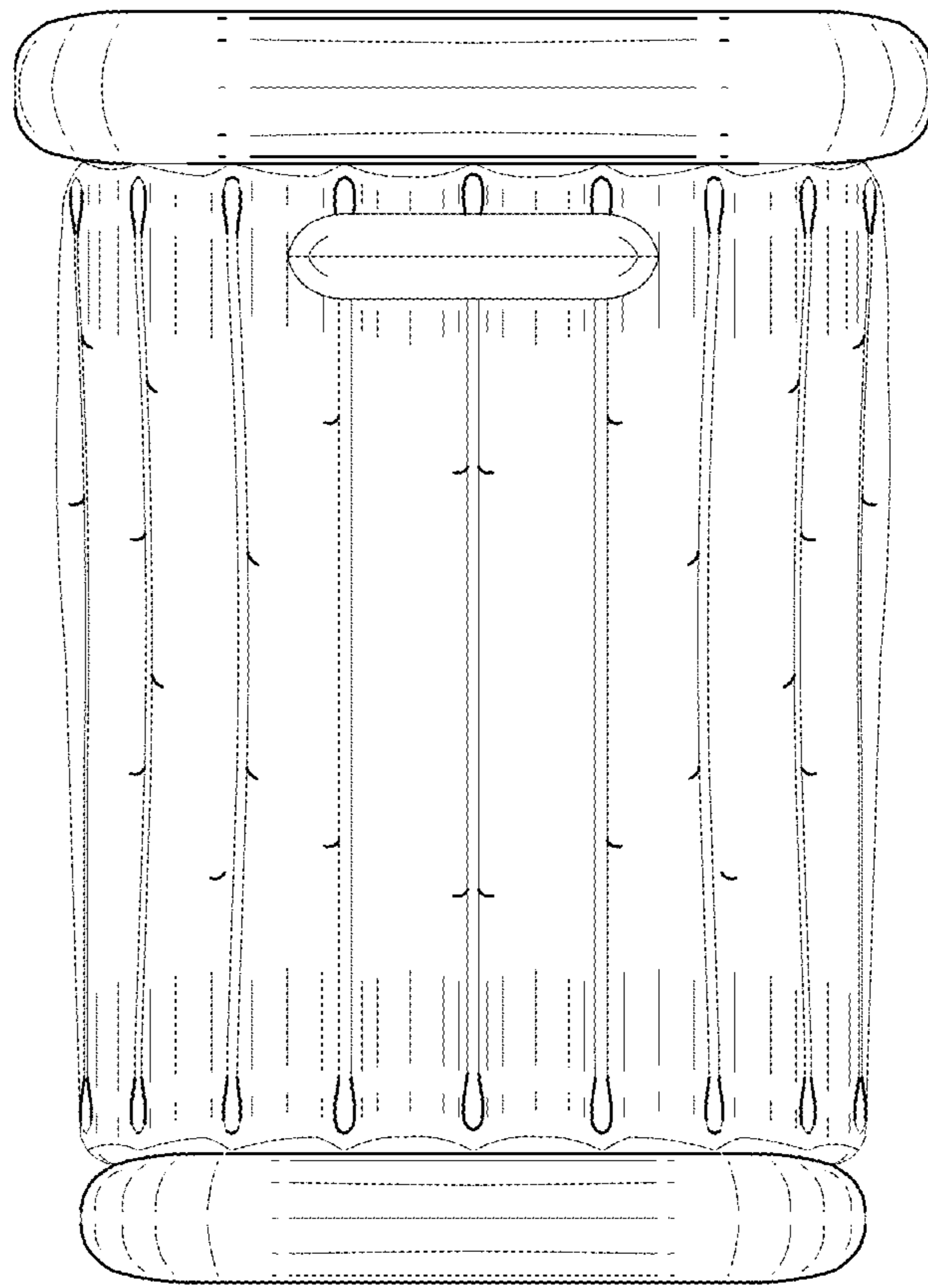


FIG. 19

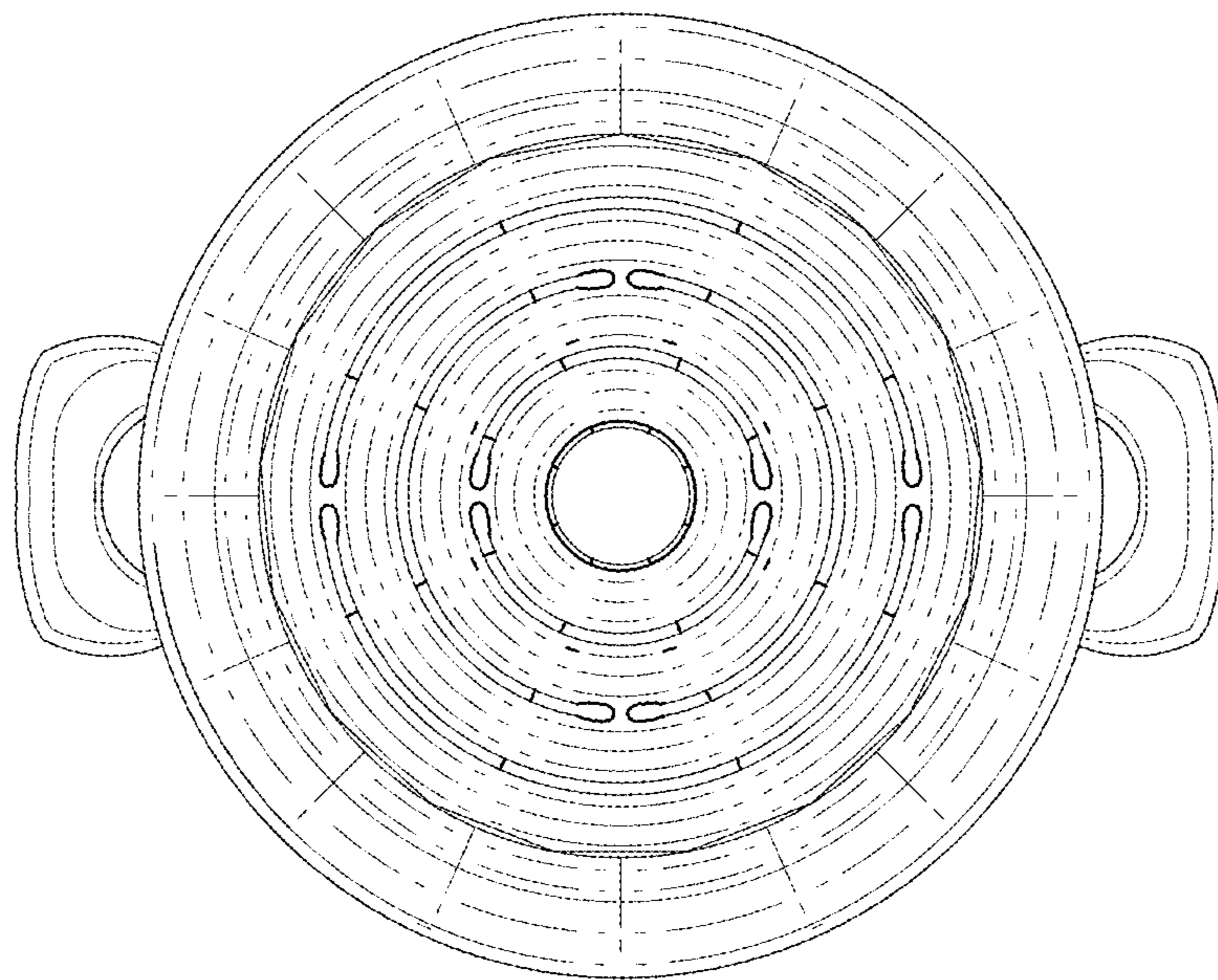


FIG. 20

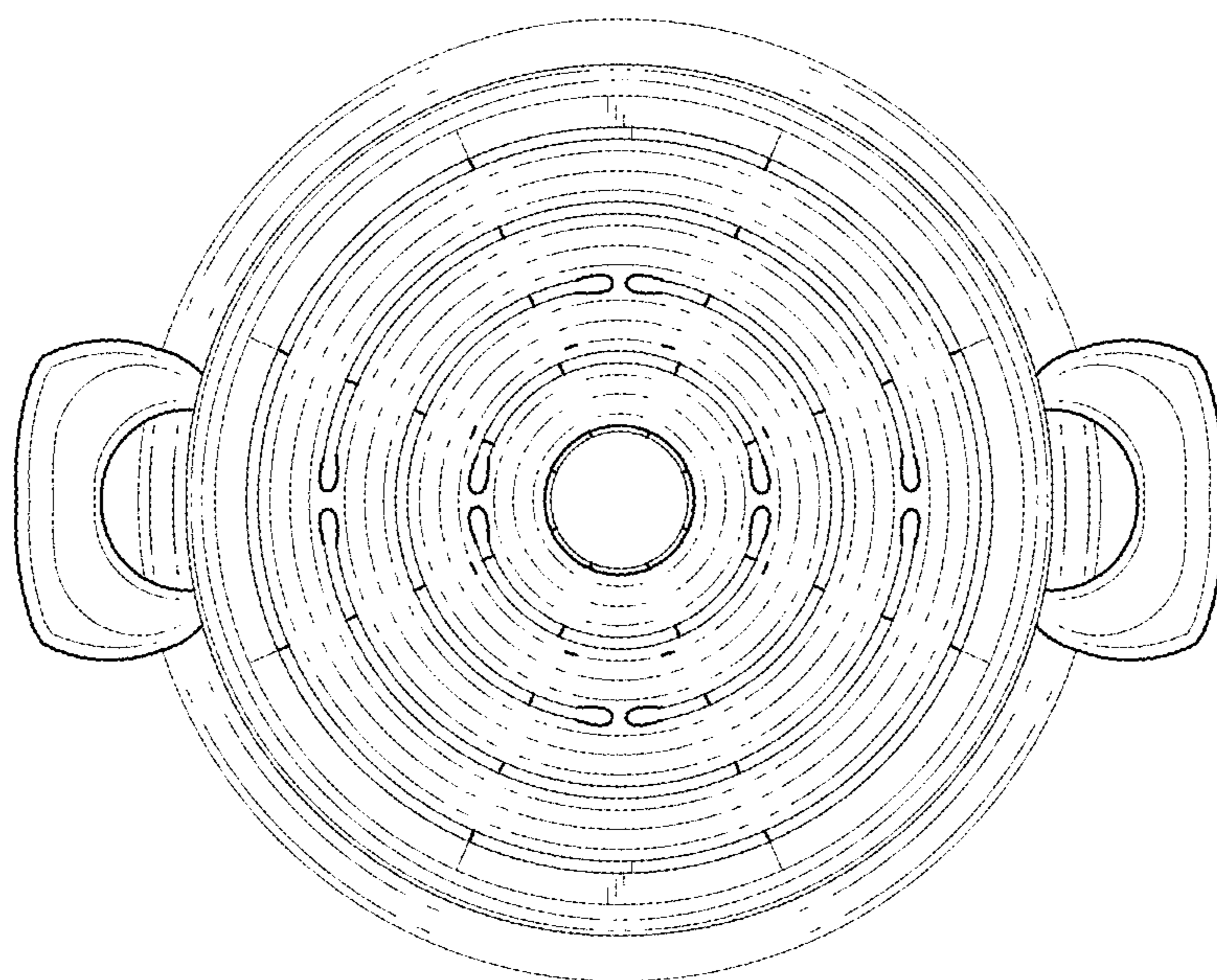


FIG. 21