



US00D751784S

(12) **United States Design Patent**
Robbins, III

(10) **Patent No.:** **US D751,784 S**
(45) **Date of Patent:** **** Mar. 15, 2016**

(54) **DRAIN MAT**

(71) Applicant: **Edward S. Robbins, III**, Muscle Shoals,
AL (US)

(72) Inventor: **Edward S. Robbins, III**, Muscle Shoals,
AL (US)

(**) Term: **15 Years**

(21) Appl. No.: **29/541,792**

(22) Filed: **Oct. 7, 2015**

(51) **LOC (10) Cl.** **07-05**

(52) **U.S. Cl.**
USPC **D32/55**

(58) **Field of Classification Search**
USPC D32/55, 276, 3; D6/510, 525; D30/133;
211/41.5, 41.4, 41.3, 41.8; 361/679.4;
312/311, 333, 334.4; D7/354, 629
CPC A47J 47/20; A47J 2201/00; A47J 47/00;
B65D 35/02; B65D 35/22; B65D 35/56
See application file for complete search history.

(56) **References Cited**

U.S. PATENT DOCUMENTS

D253,273 S *	10/1979	Matzdorff	D32/55
D283,012 S *	3/1986	Jankens	D32/55
D348,131 S *	6/1994	Bozzo	D32/55
D363,577 S *	10/1995	Brightbill	D32/55
D418,646 S *	1/2000	Hampshire	D32/55
D418,647 S *	1/2000	Snell	D32/55
D472,419 S *	4/2003	Robbins, III	D6/582
D478,761 S *	8/2003	Robbins, III	D6/582
D594,263 S *	6/2009	Robbins, III	D6/582
D650,541 S *	12/2011	Mayer	D32/55
D670,882 S *	11/2012	Meredith	D32/55

D693,081 S *	11/2013	Yang	D32/55
D703,409 S *	4/2014	Robbins, III	D32/57
D706,008 S *	5/2014	Lerner	D32/55
D706,009 S *	5/2014	Cooper	D32/55
D706,058 S *	6/2014	Robbins, III	D6/582
D723,759 S *	3/2015	Evans	D32/55

* cited by examiner

Primary Examiner — Austin Murphy

(74) *Attorney, Agent, or Firm* — Brinks Gilson & Lione

(57) **CLAIM**

I claim the ornamental design for a drain mat, as shown and described.

DESCRIPTION

FIG. 1 is a bottom perspective view of a drain mat showing a pattern of raised elongated ovals and holes.

FIG. 2 is a top perspective view of the drain mat of FIG. 1 showing the holes and a series of raised ribs.

FIG. 3 is a bottom plan view of the drain mat of FIG. 1.

FIG. 4 is a top plan view of the drain mat of FIG. 1.

FIG. 5 is a right side elevation view of the drain mat of FIG. 3.

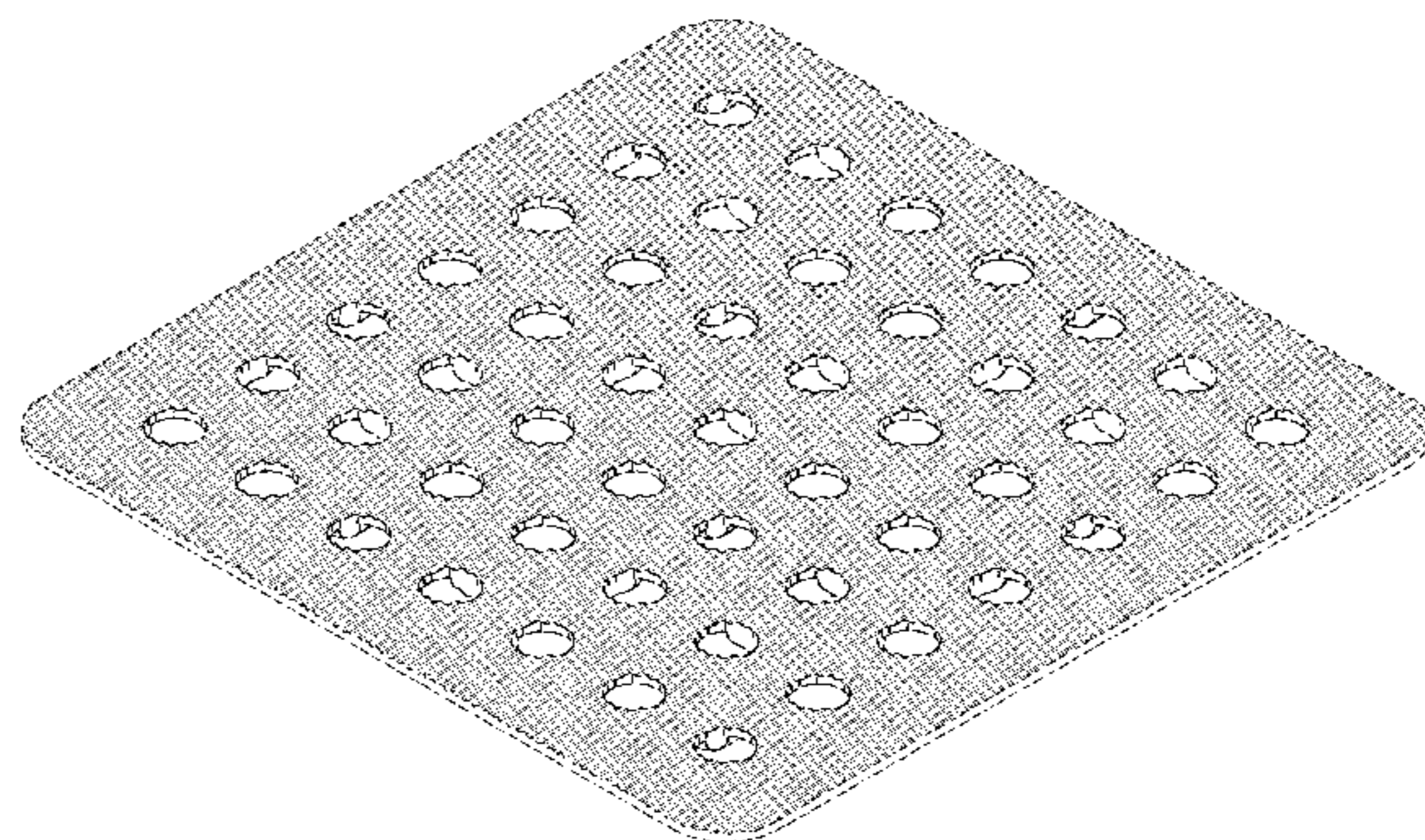
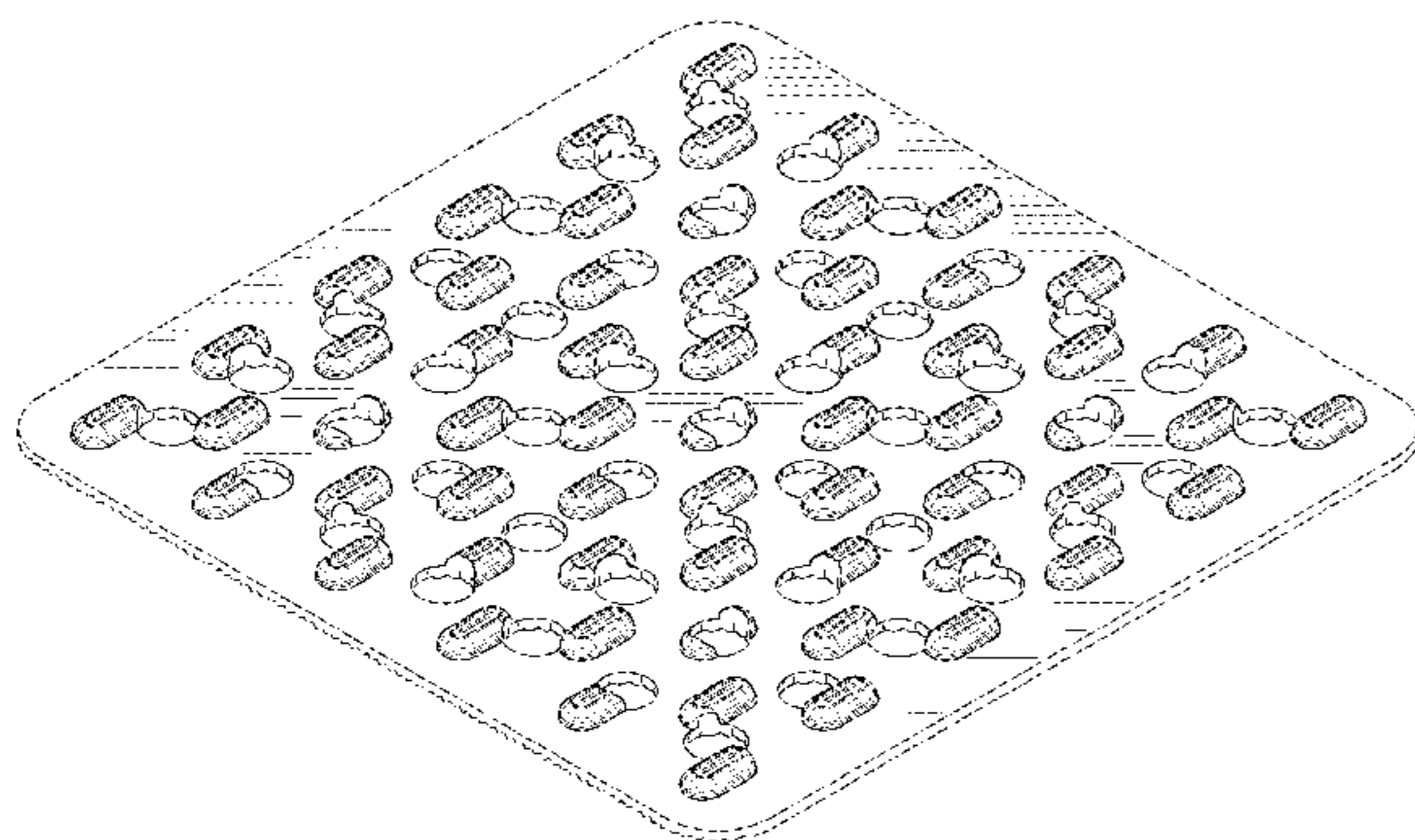
FIG. 6 is a front elevation view of the drain mat of FIG. 3.

FIG. 7 is an enlargement of that portion of FIG. 3 within circle indicated as "FIG. 7;" and,

FIG. 8 is an enlargement of that portion of FIG. 6 within circle indicated as "FIG. 8."

The left side elevation view is the same as the right side elevation view of FIG. 5. The back elevation view is the same as the front elevation view of FIG. 6. The broken lines, such as the outer perimeter of the drain mat of FIGS. 1-4, are included in the figures for the purpose of illustrating non-claimed but illustrated subject matter forming no part of the presently claimed design.

1 Claim, 6 Drawing Sheets



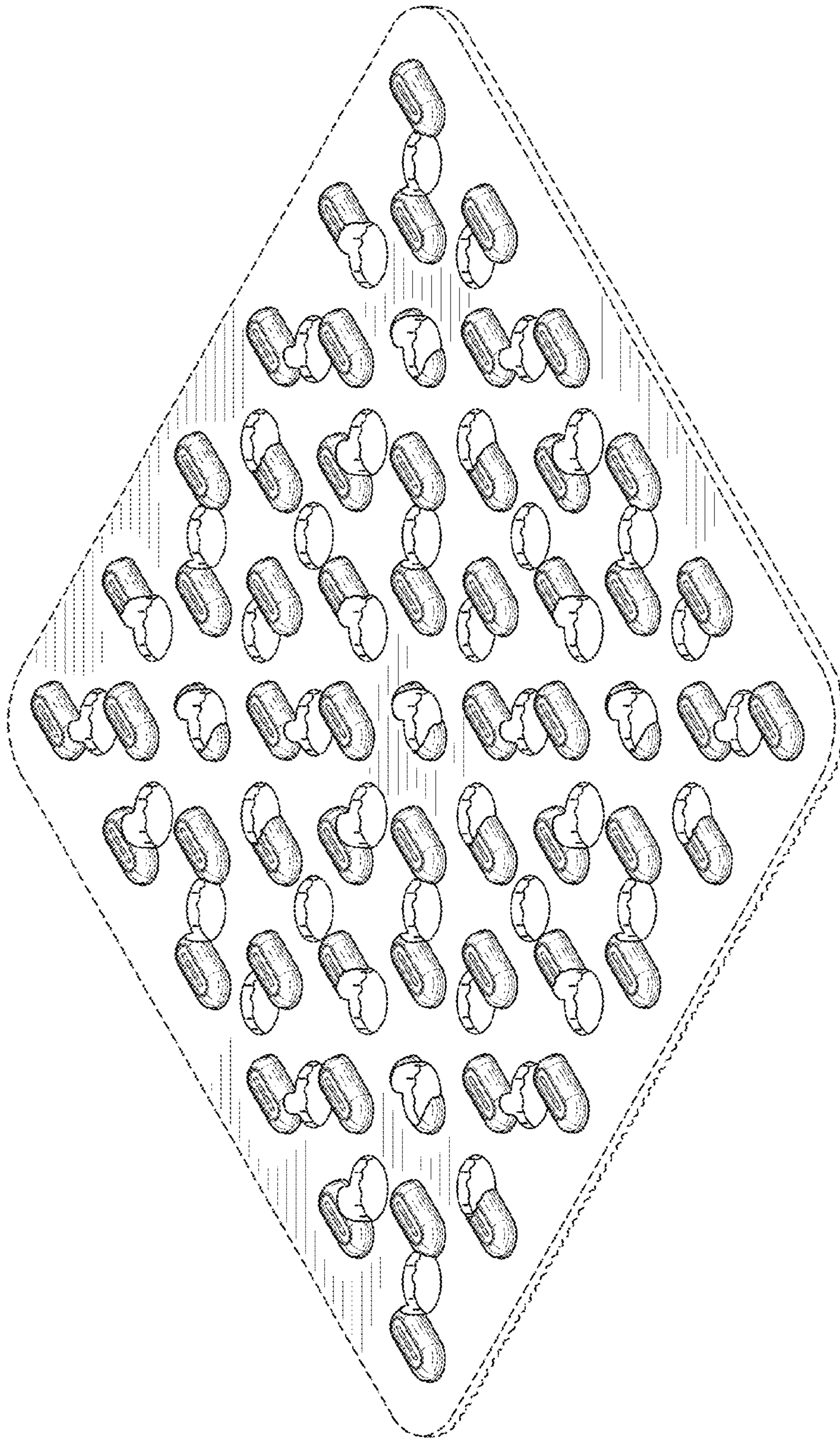


FIG. 1

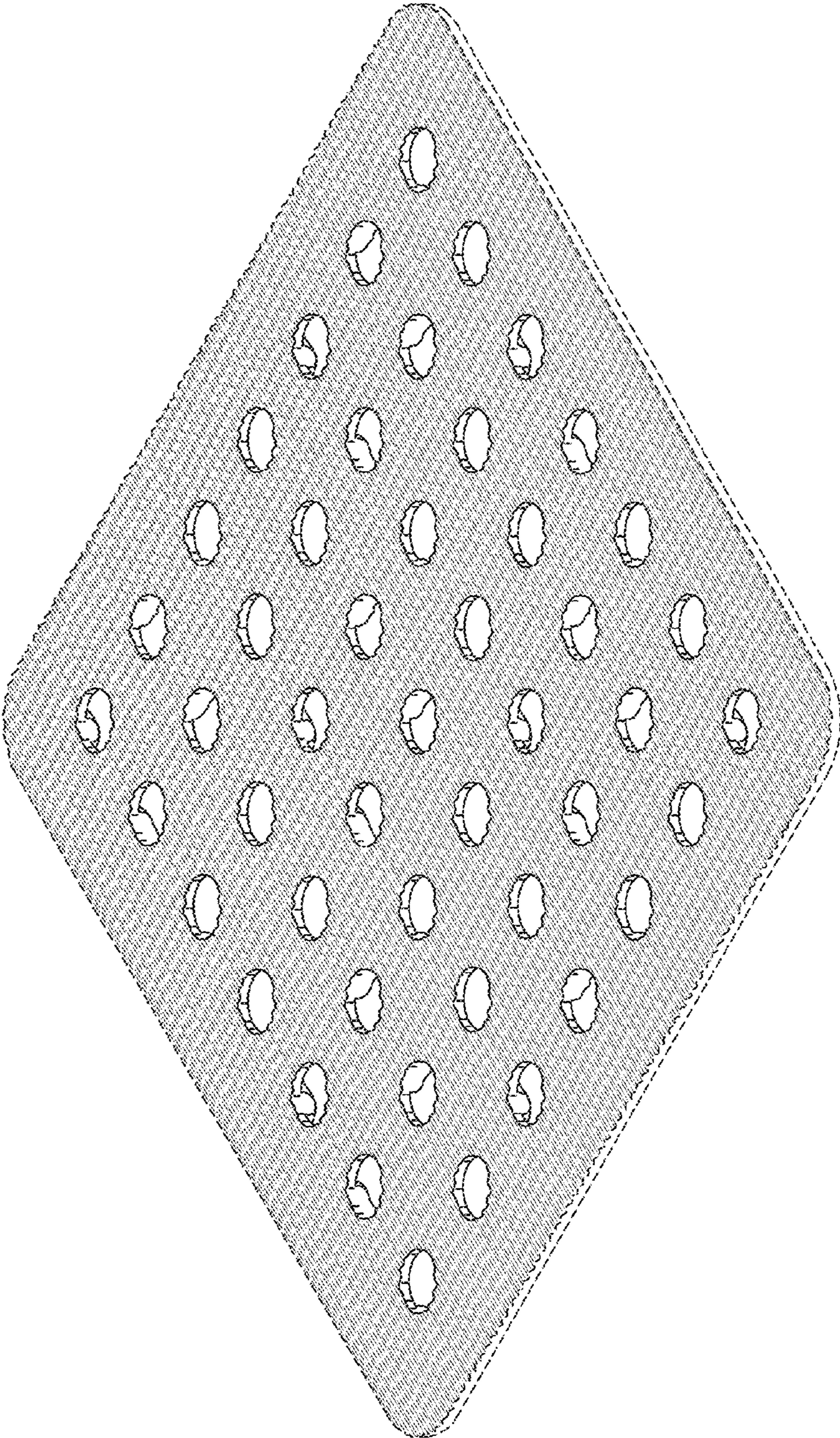


FIG. 2

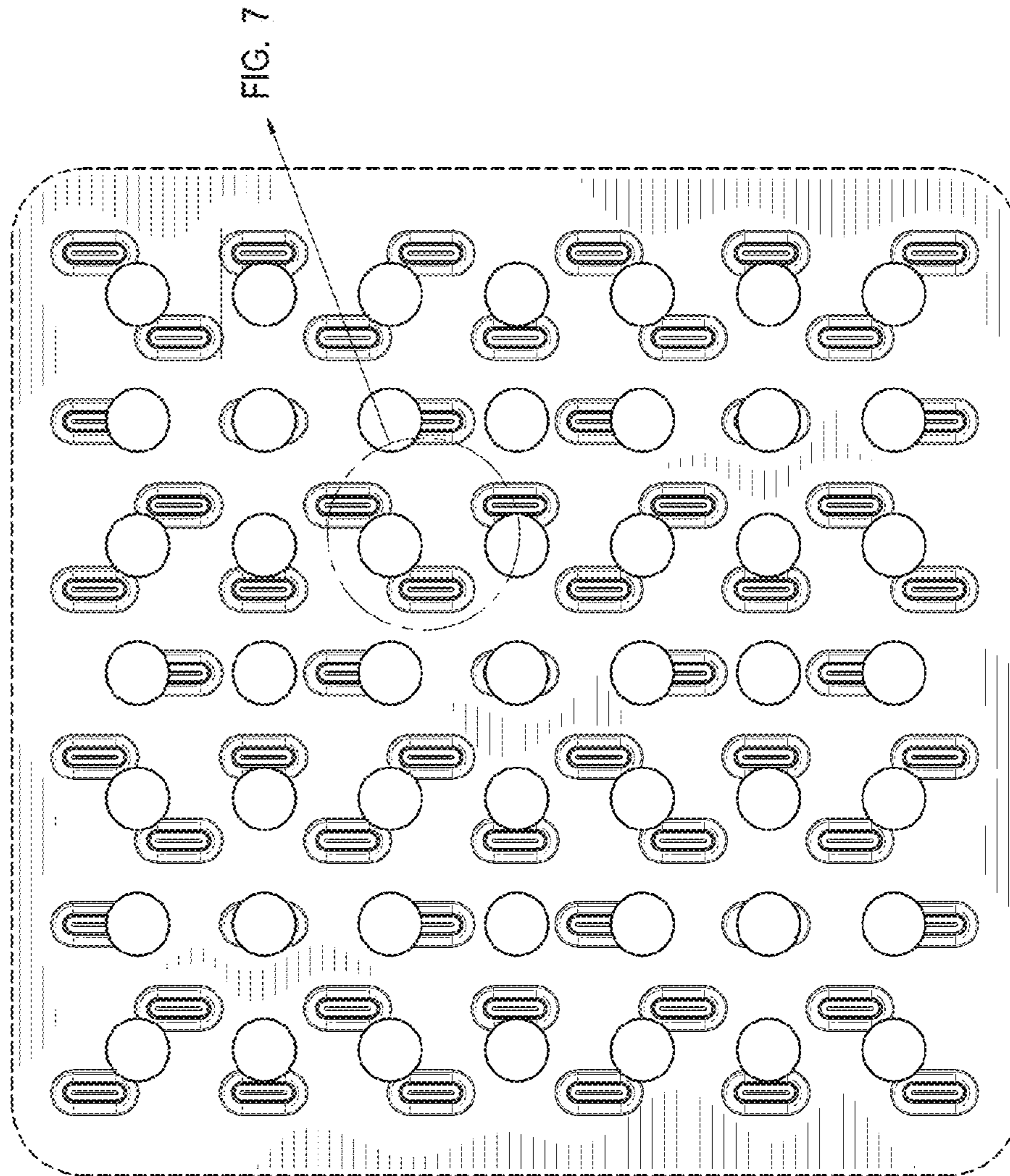


FIG. 3

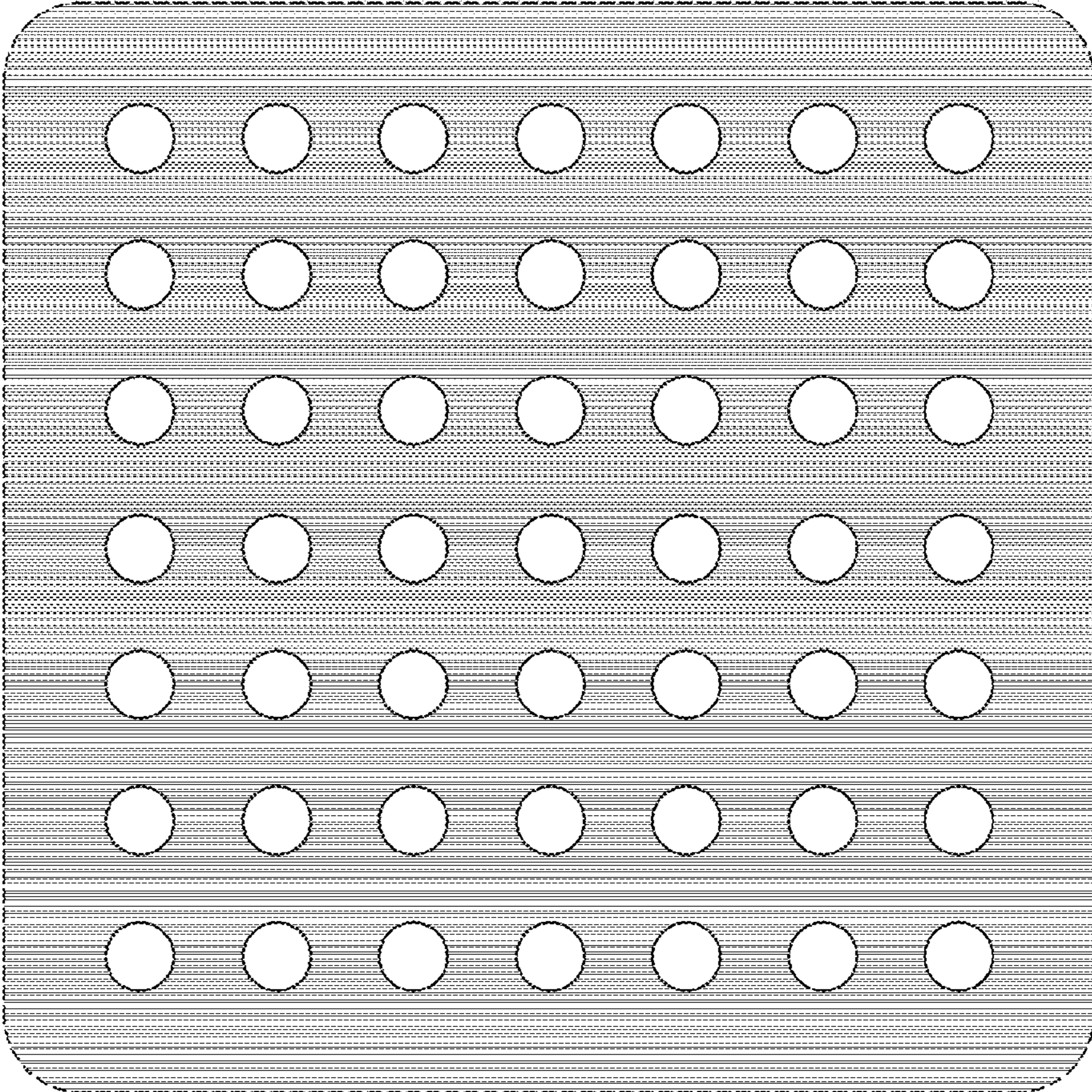


FIG. 4

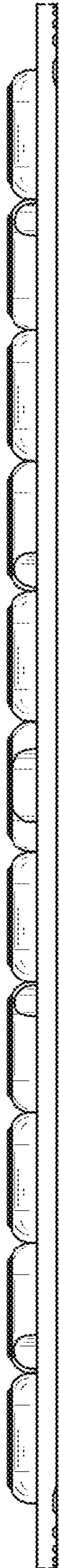


FIG. 5

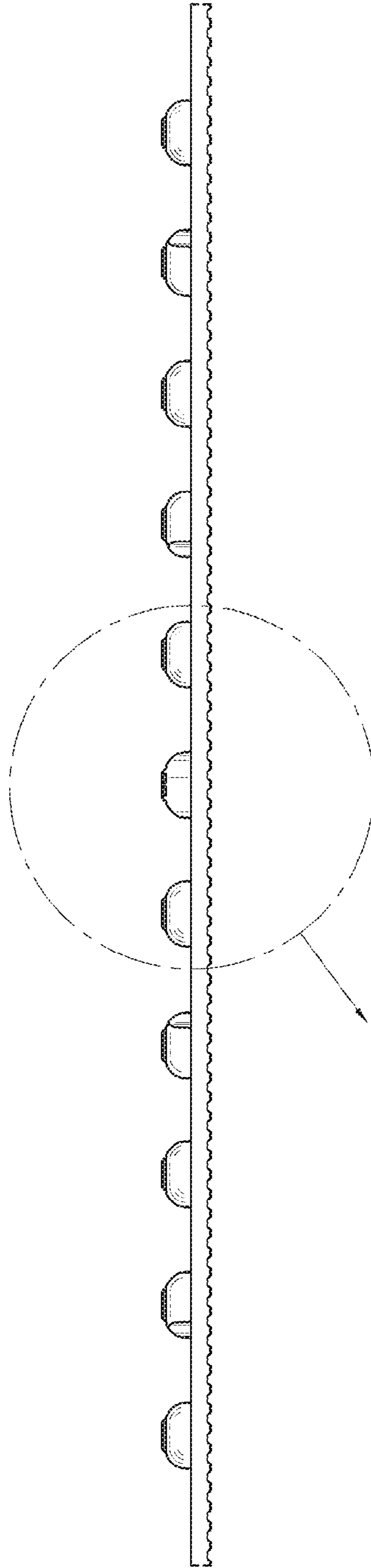


FIG. 6

FIG. 8

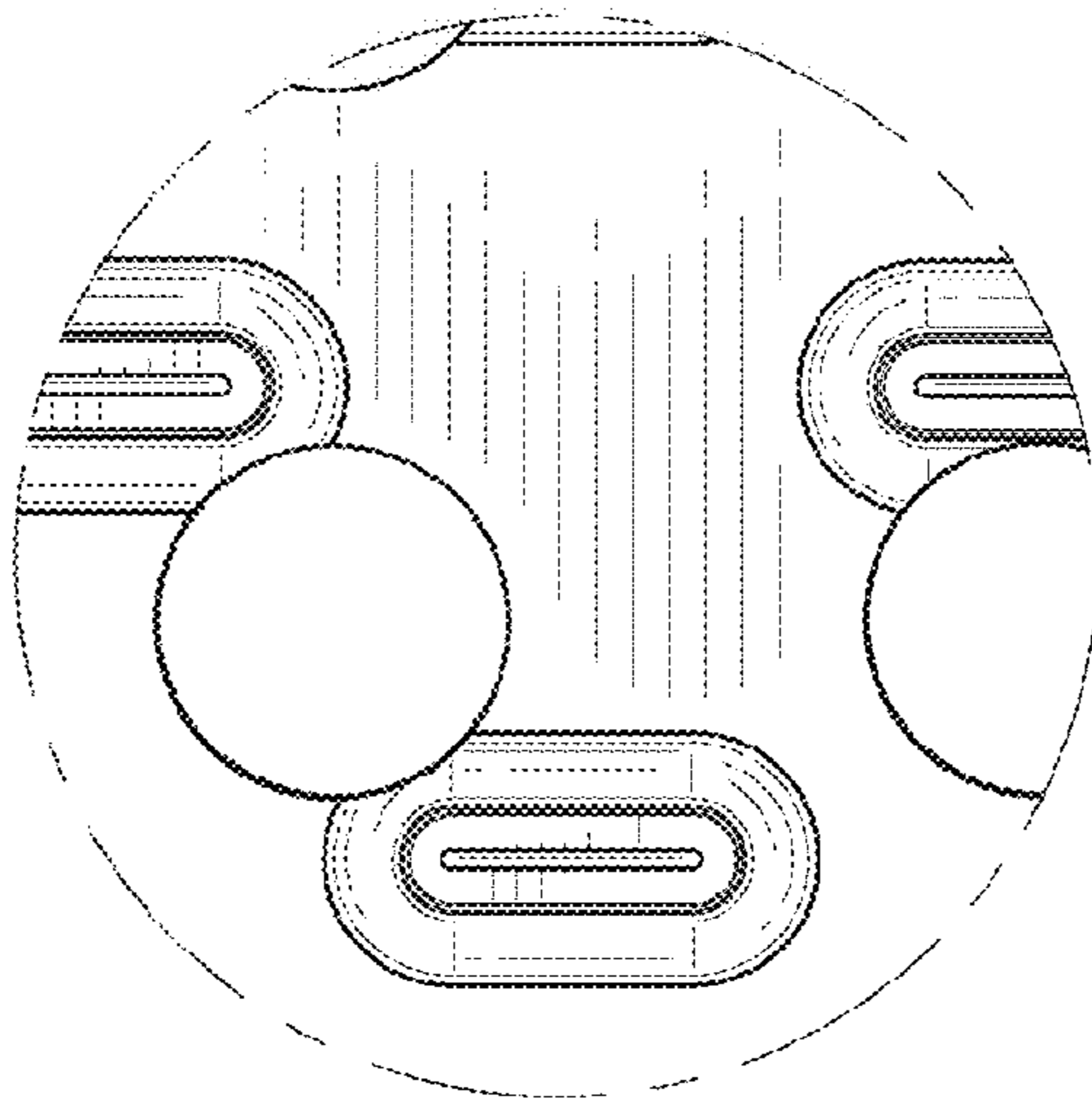


FIG. 7

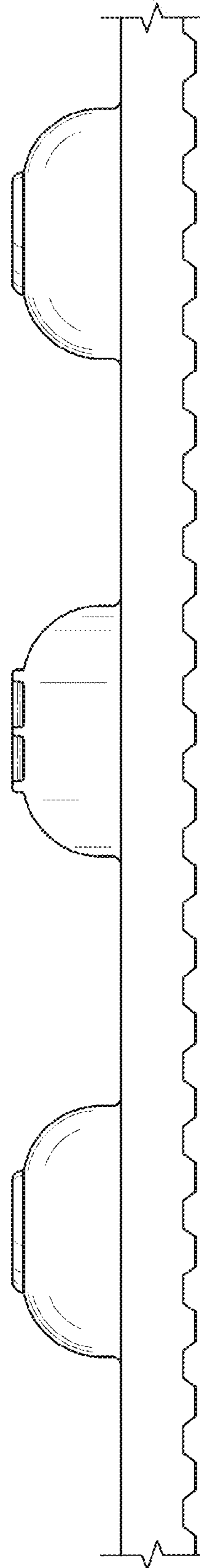


FIG. 8