



US00D751783S

(12) **United States Design Patent**  
**Bajuyo**

(10) **Patent No.:** **US D751,783 S**  
(45) **Date of Patent:** **\*\* Mar. 15, 2016**

- (54) **PAIL**
- (71) Applicant: **Antonio Bajuyo**, South Bend, IN (US)
- (72) Inventor: **Antonio Bajuyo**, South Bend, IN (US)
- (\*\*) Term: **14 Years**
- (21) Appl. No.: **29/523,331**
- (22) Filed: **Apr. 8, 2015**
- (51) **LOC (10) Cl.** ..... **07-07**
- (52) **U.S. Cl.**  
USPC ..... **D32/53**
- (58) **Field of Classification Search**  
USPC ..... D32/53, 53.1, 54, 74; 15/260-264,  
15/119.1, 120.1, 257.1; D9/429; 220/904,  
220/659, 770, 752, 753, 696  
CPC ..... A47J 47/18; A47L 13/58; B65D 37/00  
See application file for complete search history.

D663,086 S 7/2012 Herbst  
8,931,669 B2 1/2015 Bajuyo  
2014/0265382 A1 9/2014 Bajuyo

\* cited by examiner

*Primary Examiner* — Robin V Webster  
(74) *Attorney, Agent, or Firm* — R. Tracy Crump

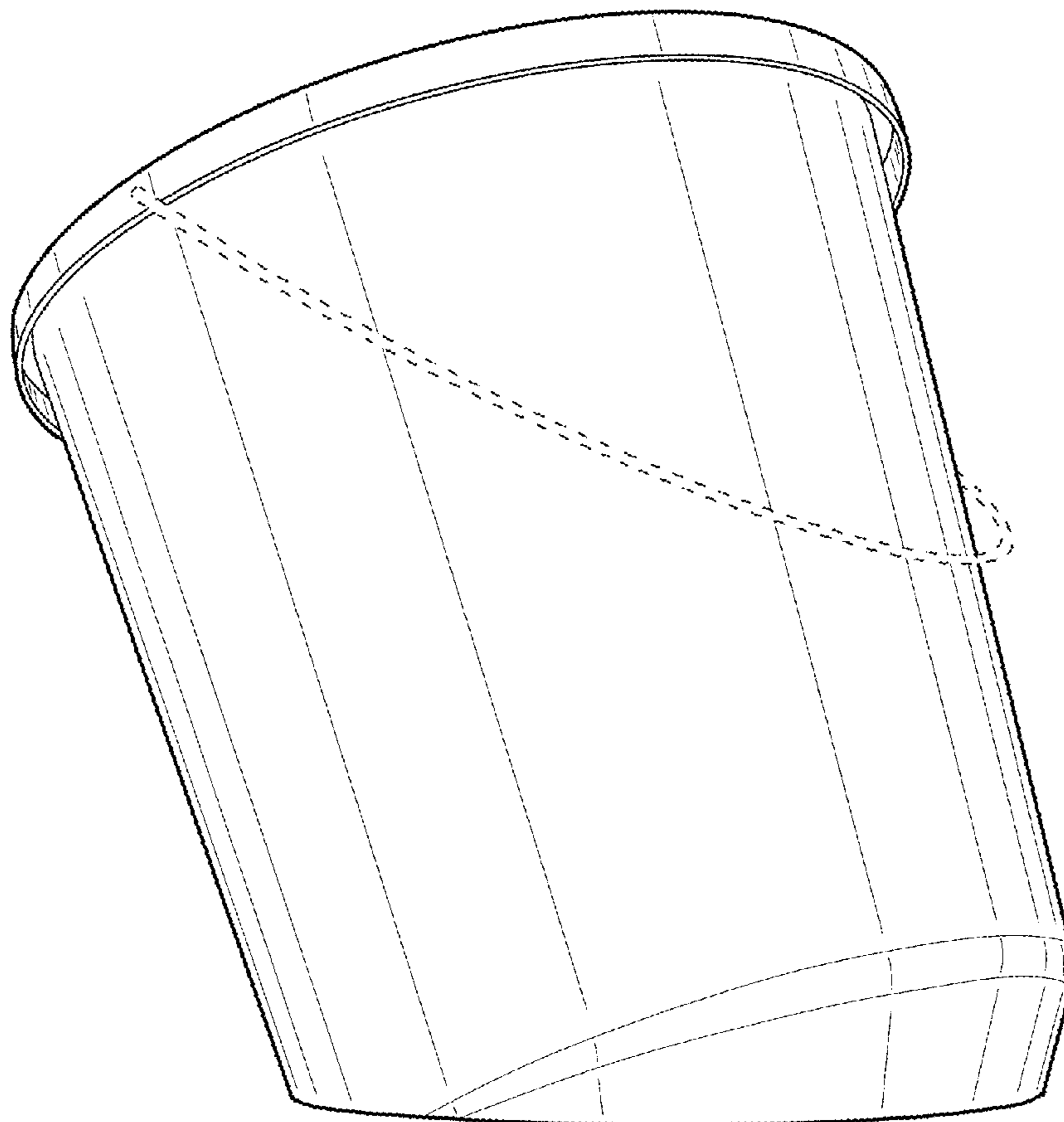
(57) **CLAIM**  
I claim the ornamental design of a pail, as shown and described.

**DESCRIPTION**

FIG. 1 is a perspective view of a pail showing my design;  
FIG. 2 is a side view thereof;  
FIG. 3 is a front view thereof;  
FIG. 4 is a rear view thereof;  
FIG. 5 is a top view thereof; and,  
FIG. 6 is a bottom view thereof.  
The broken line showing of a handle is included for the purpose of illustrating and forms no part of the claimed design.

- (56) **References Cited**  
U.S. PATENT DOCUMENTS  
D190,532 S \* 6/1961 Heimsoth ..... D30/121

**1 Claim, 6 Drawing Sheets**



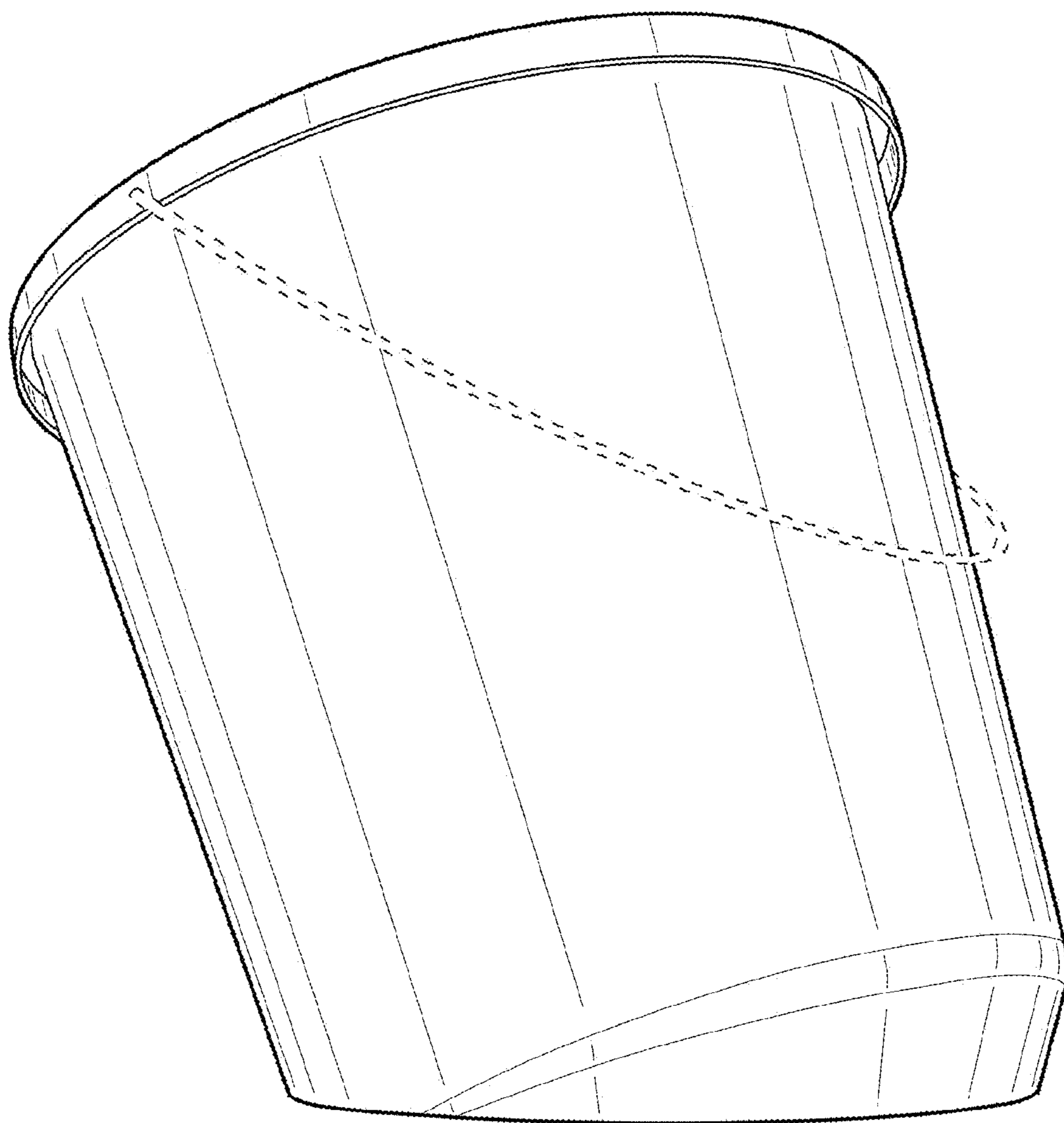


Fig. 1

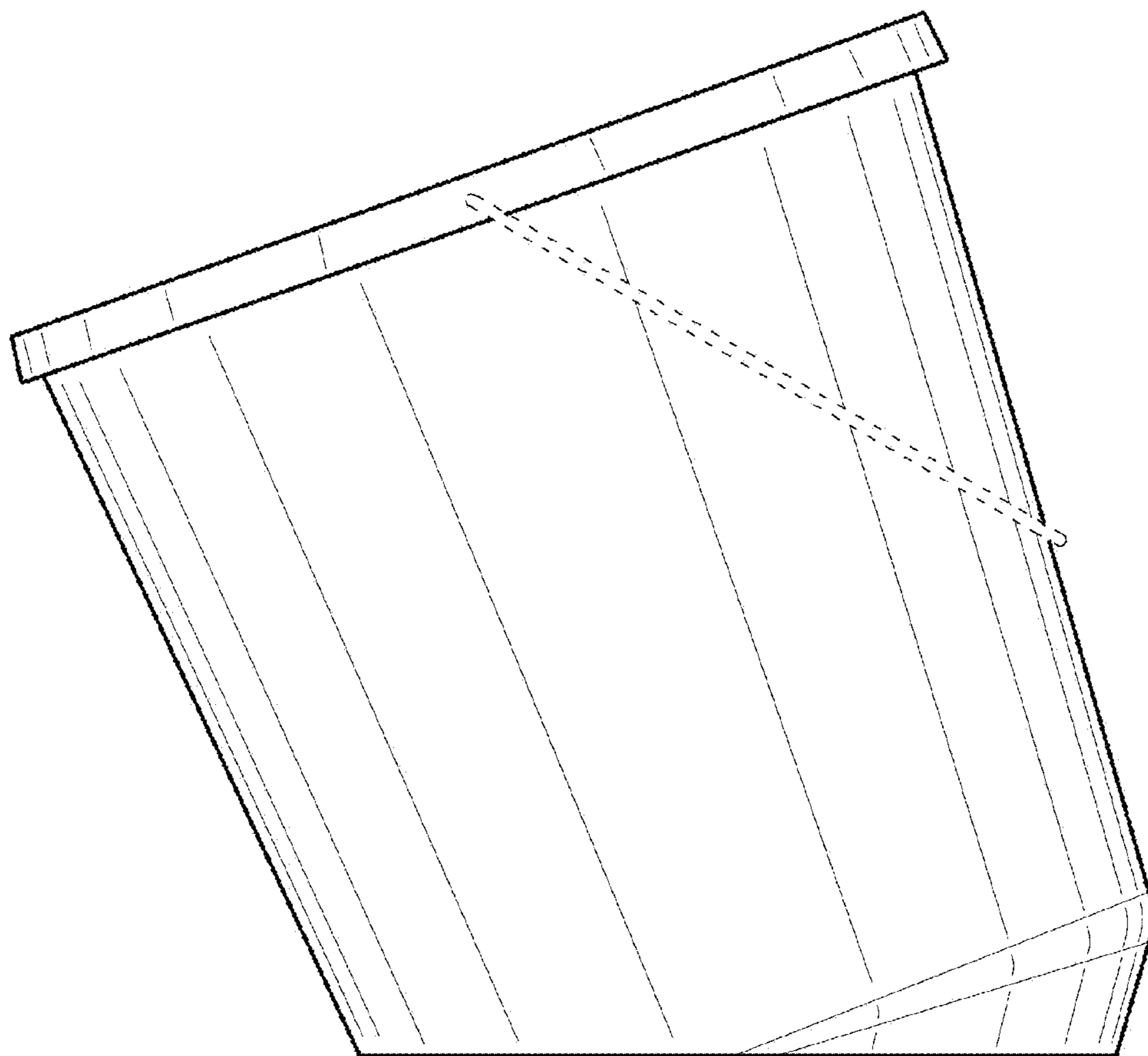


Fig. 2

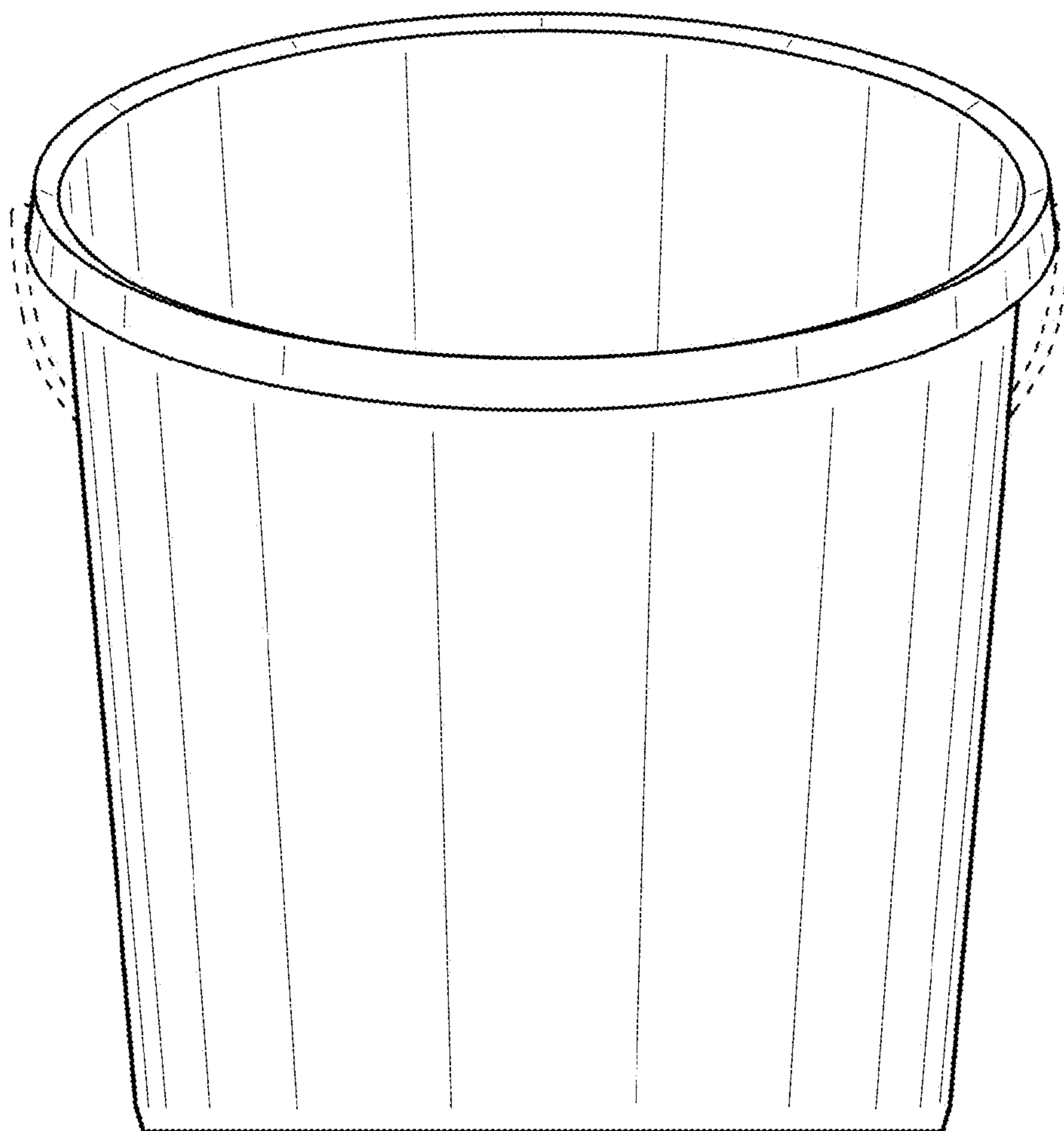


Fig. 3

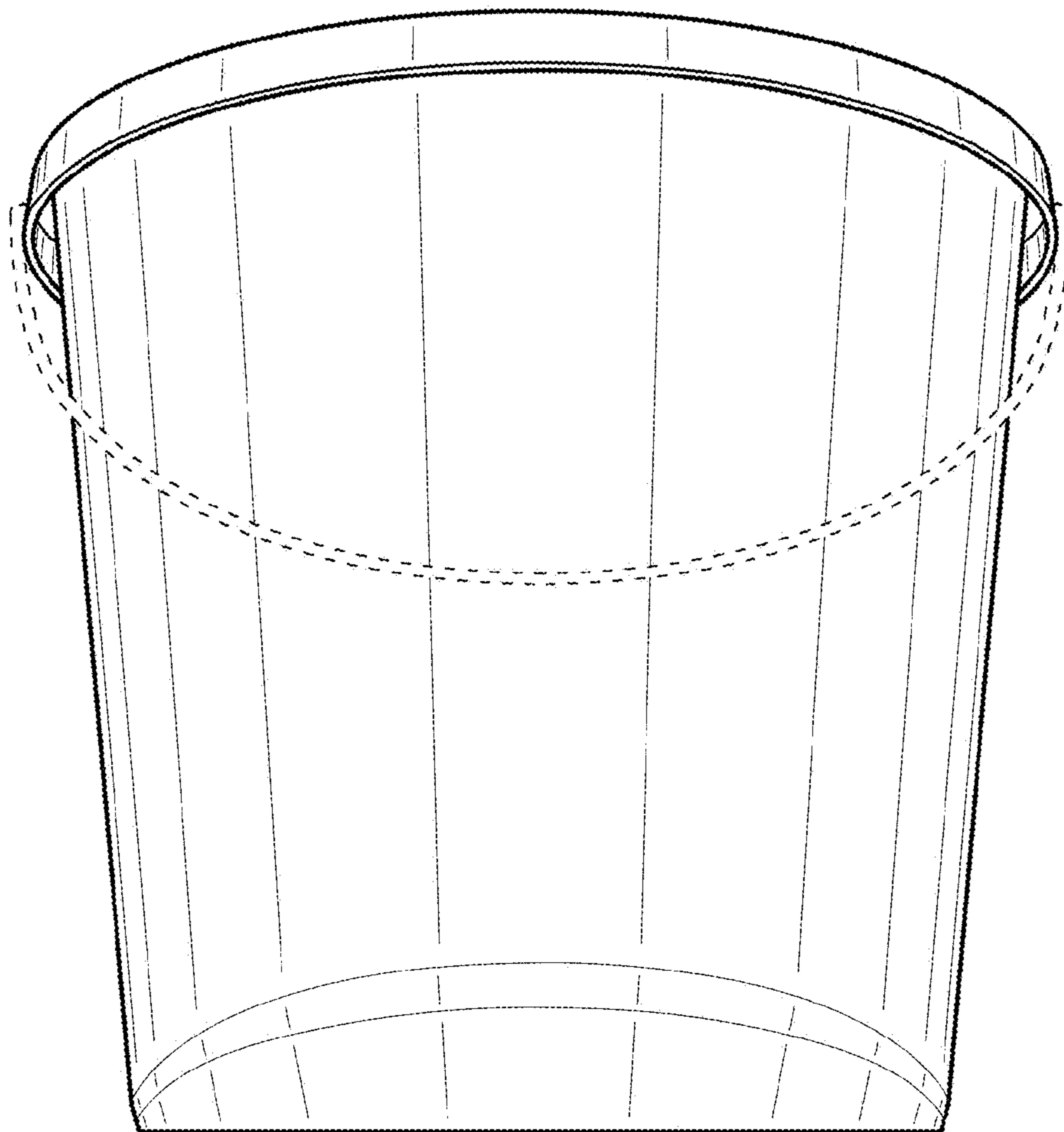


Fig. 4

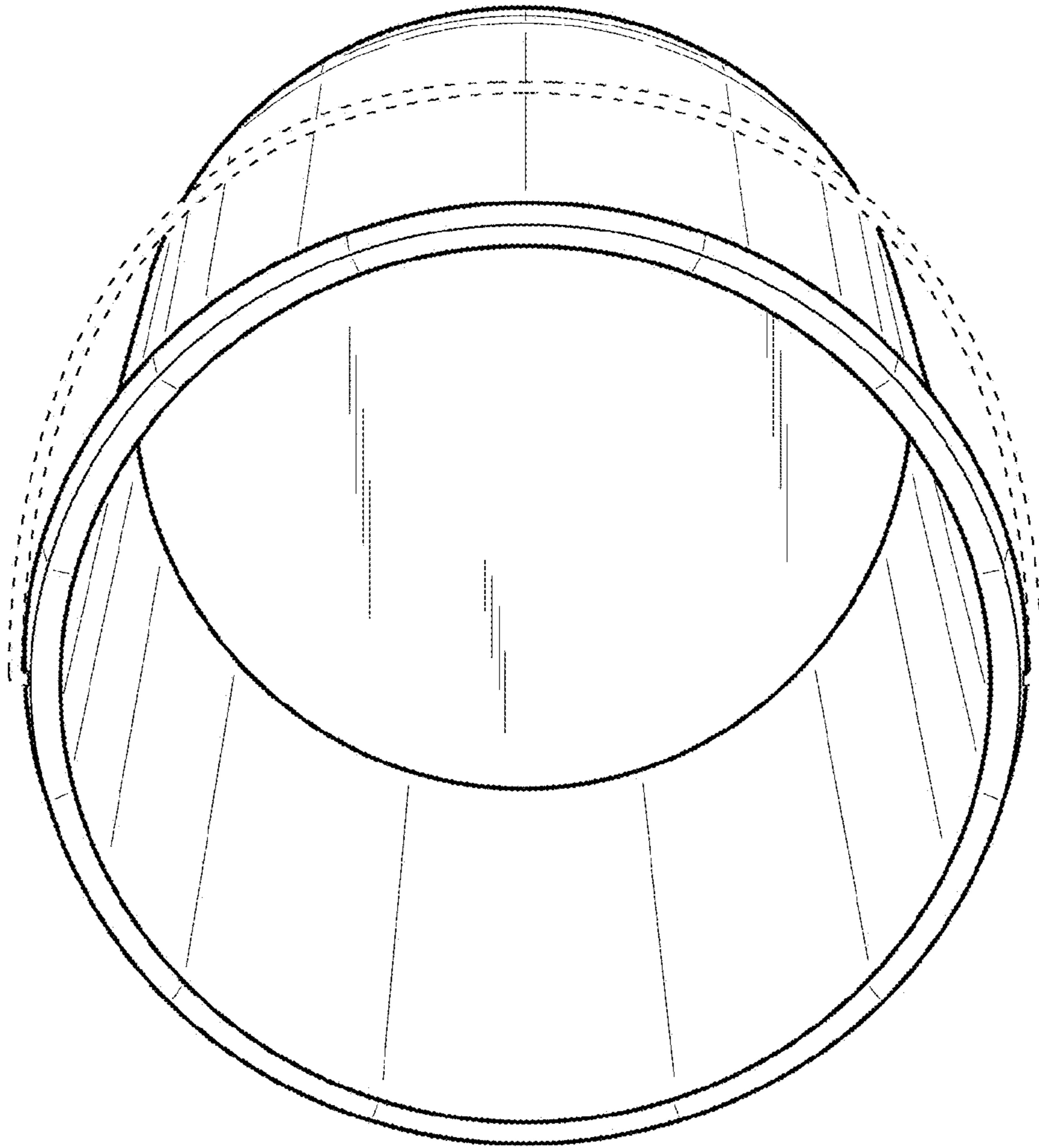


Fig. 5

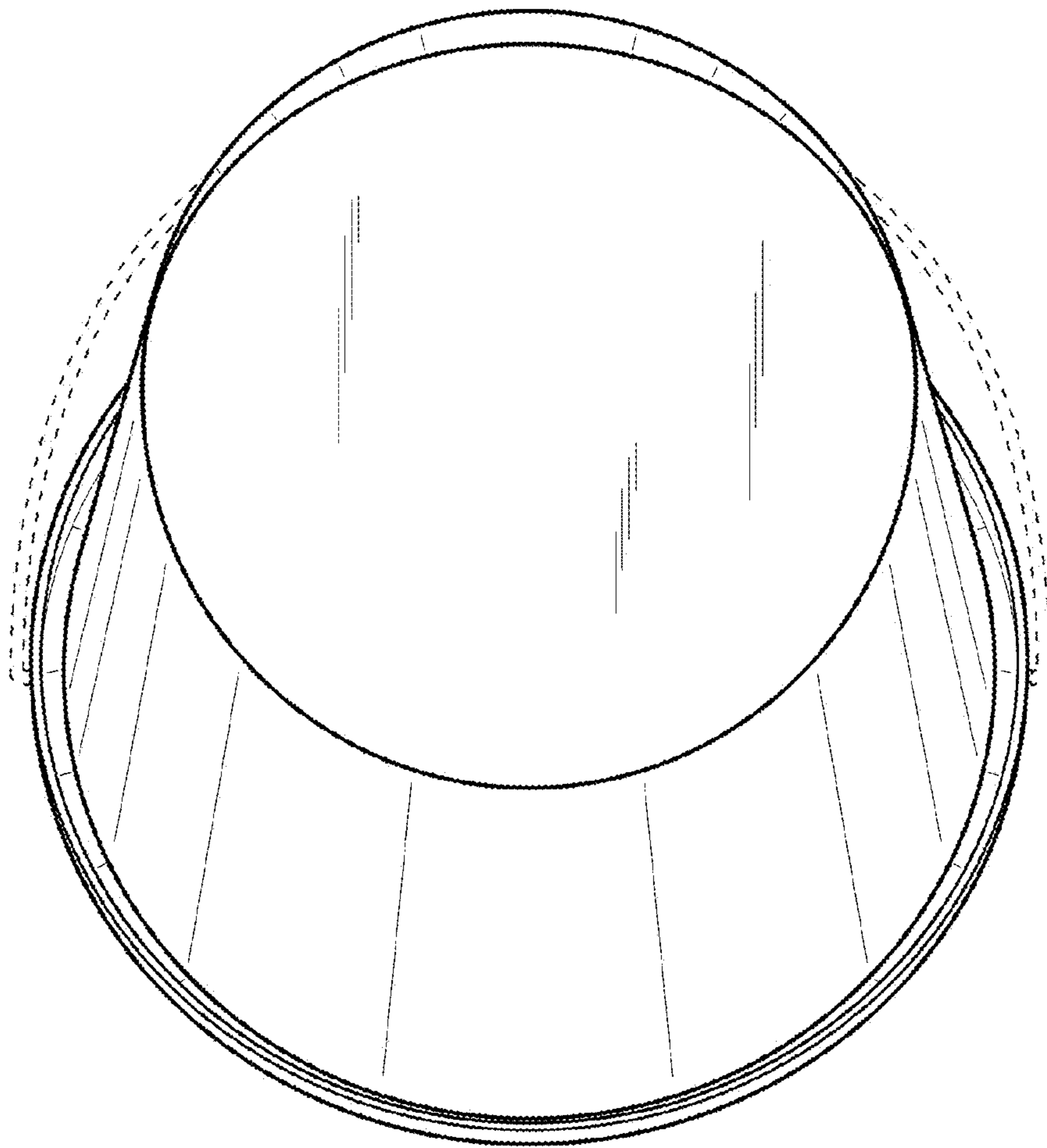


Fig. 6