



US00D751781S

(12) **United States Design Patent**
Blouin et al.

(10) **Patent No.:** **US D751,781 S**
(45) **Date of Patent:** **** Mar. 15, 2016**

- (54) **ICE SCRAPER**
- (71) Applicant: **GARANT GP**, Saint-Francois (CA)
- (72) Inventors: **Carl Blouin**, Levis (CA); **Eveline Drolet**, Levis (CA); **Patrick Mainville**, Montreal (CA); **Francois Gaucher**, Beloeil (CA); **Antoine Dubois**, Montreal (CA)
- (73) Assignee: **GARANT GP**, Saint-François (CA)
- (**) Term: **14 Years**
- (21) Appl. No.: **29/495,855**
- (22) Filed: **Jul. 4, 2014**
- (51) **LOC (10) Cl.** **08-05**
- (52) **U.S. Cl.**
USPC **D32/46**
- (58) **Field of Classification Search**
USPC D32/46, 49, 42; D8/14, 45, 46, 47, 105,
D8/98, 90; D7/682
CPC B60S 3/045; A47L 1/16
See application file for complete search history.

D394,923	S	*	6/1998	Hellinger	D32/46
D410,122	S	*	5/1999	Hellinger	D32/46
D415,325	S	*	10/1999	Hellinger	D32/46
6,006,396	A	*	12/1999	Hellinger	A47L 1/16
						15/143.1
D422,125	S	*	3/2000	Sneed	D32/49
D422,146	S	*	4/2000	Sneed	D32/42
D459,847	S	*	7/2002	Ingram	D32/49
D498,891	S	*	11/2004	Sickler	D32/46
D501,608	S	*	2/2005	Uffner	D4/118
D542,490	S	*	5/2007	Barnes, Jr.	D32/49
D542,491	S	*	5/2007	Barnes, Jr.	D32/49
D544,162	S	*	6/2007	Uffner	D32/46
7,469,444	B1	*	12/2008	Thomas	A47L 1/16
						15/172
D652,218	S	*	1/2012	Hoffelner	D4/118
D652,593	S	*	1/2012	Wu	D32/40
D656,736	S	*	4/2012	Hoffelner	D4/118
8,312,589	B1	*	11/2012	Thomas	A47L 1/16
						15/236.01

(Continued)

Primary Examiner — T. Chase Nelson
Assistant Examiner — Michelle E Wilson
 (74) *Attorney, Agent, or Firm* — Goudreau Gage Dubuc;
 Gwendoline Bruneau

(57) **CLAIM**
 The ornamental design for an ice scraper, as shown and described.

(56) **References Cited**

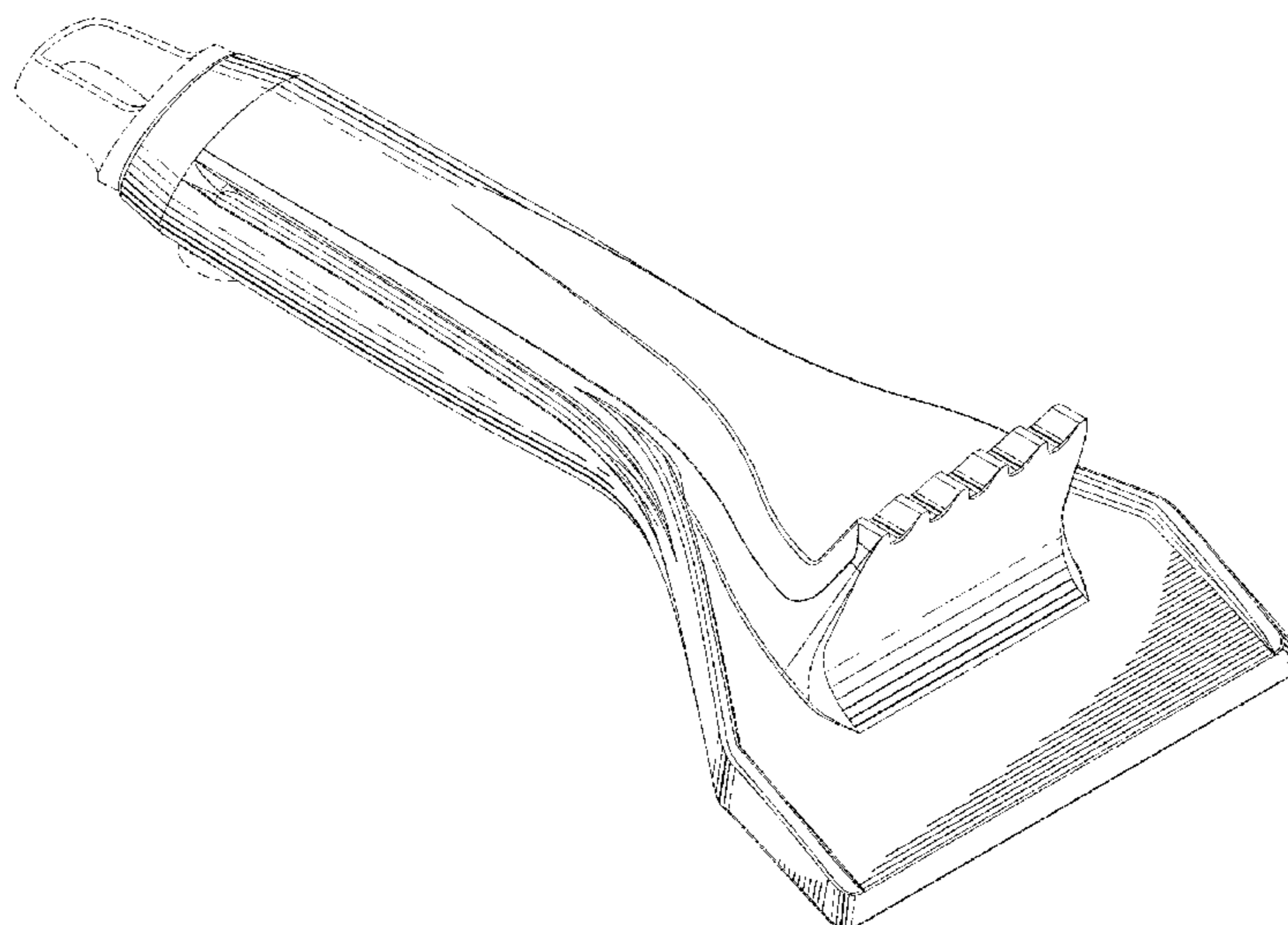
U.S. PATENT DOCUMENTS

4,040,140	A	*	8/1977	Hopkins	B60S 3/045
						15/236.02
4,164,801	A	*	8/1979	Thomas	B60S 3/045
						15/236.02
4,275,476	A	*	6/1981	Hopkins	B60S 3/045
						15/236.02
D279,415	S	*	6/1985	Osrow	D26/38
D292,532	S	*	10/1987	Strongwater	D32/49
4,719,660	A	*	1/1988	Hopkins	B60S 3/045
						15/105
D346,903	S	*	5/1994	Hillmer	D32/42
5,357,646	A	*	10/1994	Kim	A47L 1/16
						15/111
D373,863	S	*	9/1996	Shepherd	D32/42
D392,784	S	*	3/1998	Hellinger	D32/49

DESCRIPTION

FIG. 1 is perspective view of the scraper;
 FIG. 2 is a first side view of the scraper of FIG. 1;
 FIG. 3 is a top view of the scraper of FIG. 1;
 FIG. 4 is a bottom view of the scraper of FIG. 1;
 FIG. 5 is a second side view of the scraper of FIG. 1;
 FIG. 6 is a back view of the scraper of FIG. 1; and,
 FIG. 7 is a front view of the scraper of FIG. 1.
 The broken line is included for the purpose of illustrating environmental structure and forms no part of the claimed design.

1 Claim, 6 Drawing Sheets



US D751,781 S

Page 2

(56)

References Cited

8,966,703 B1 * 3/2015 Thomas A47L 1/16
15/236.01

U.S. PATENT DOCUMENTS

D702,905 S * 4/2014 Holma D32/46
D703,408 S * 4/2014 Holma D32/46

* cited by examiner

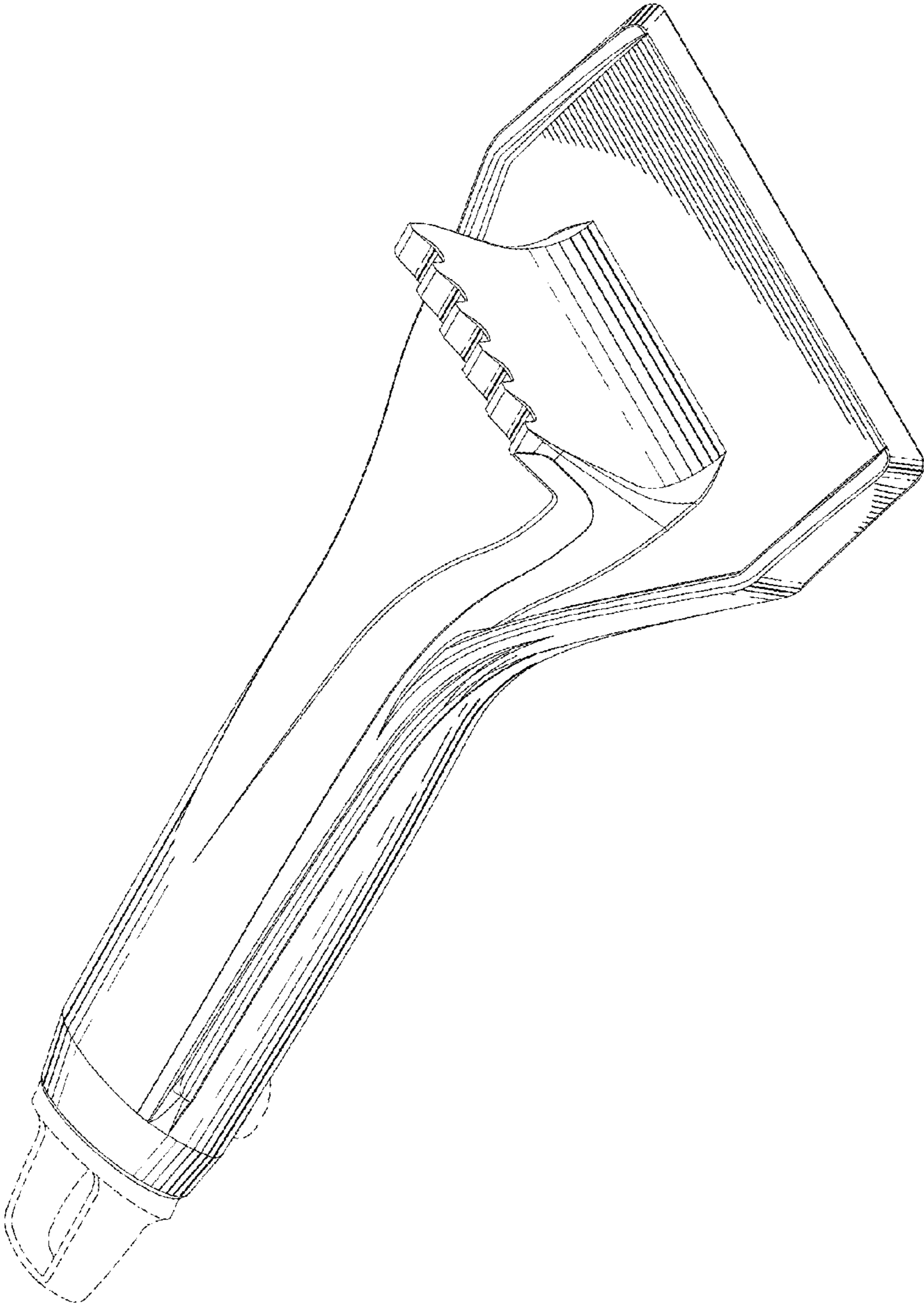


Fig-1

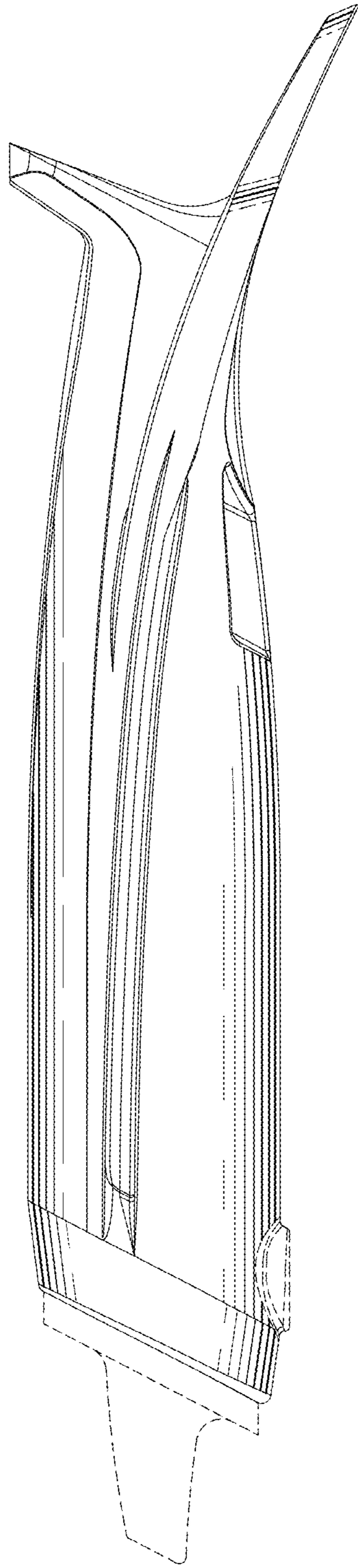


Fig. 2

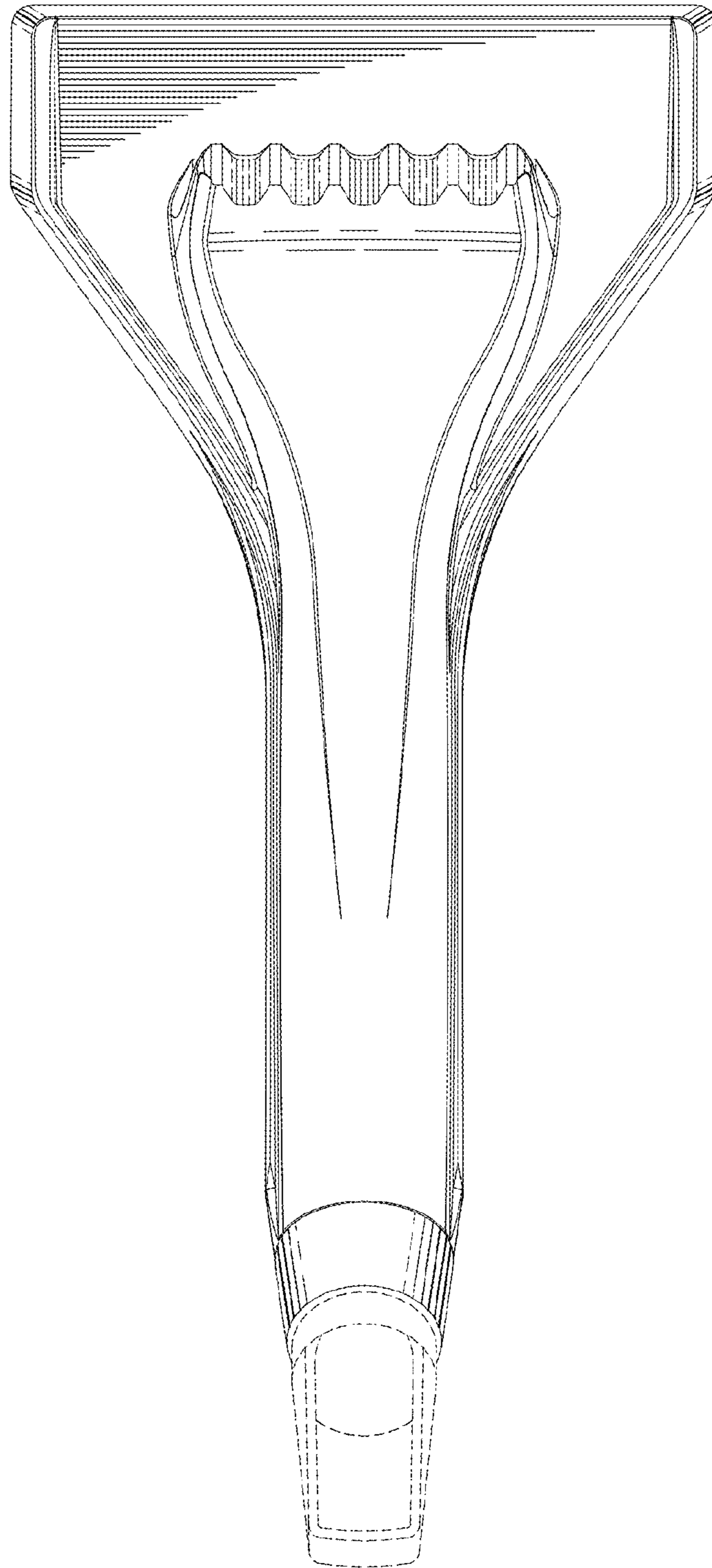


Fig. 3

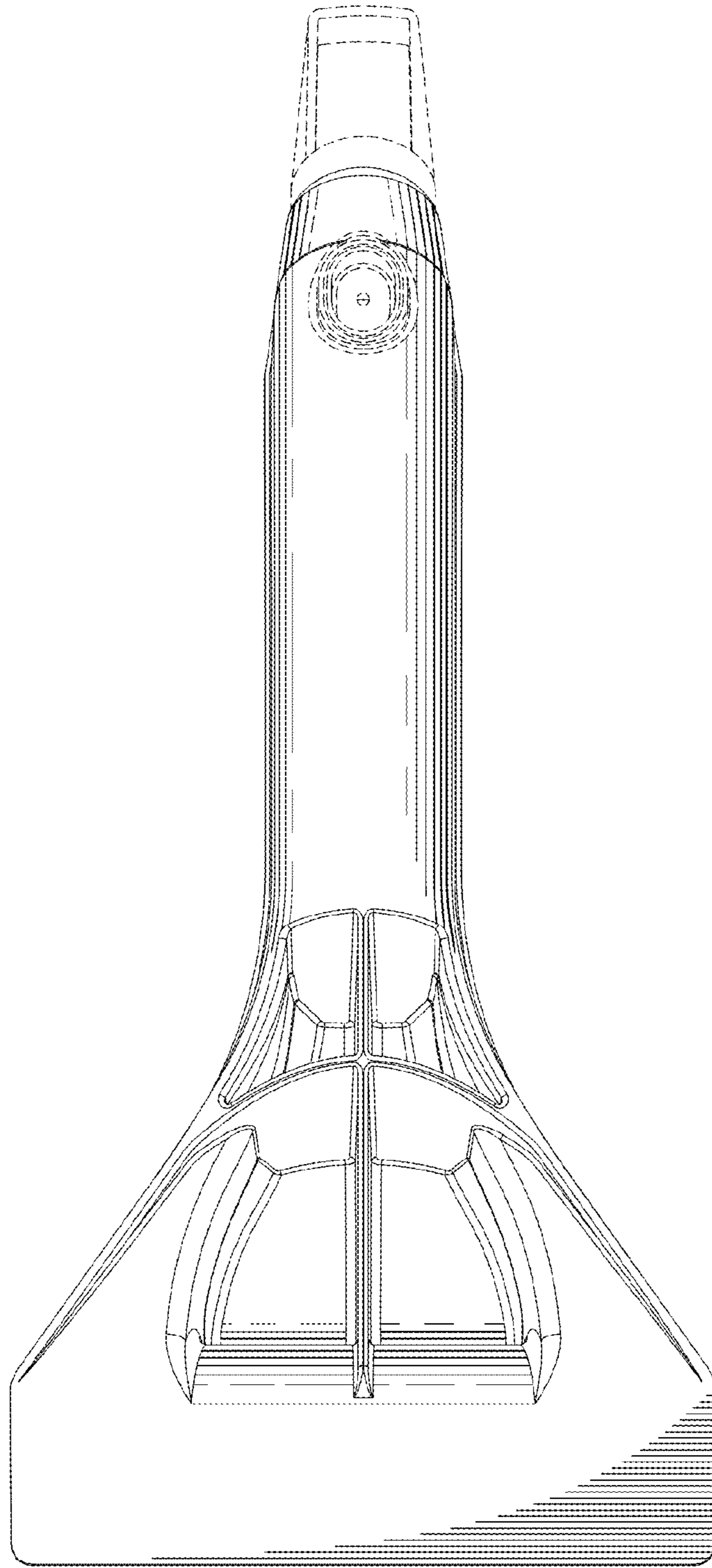


FIG-4

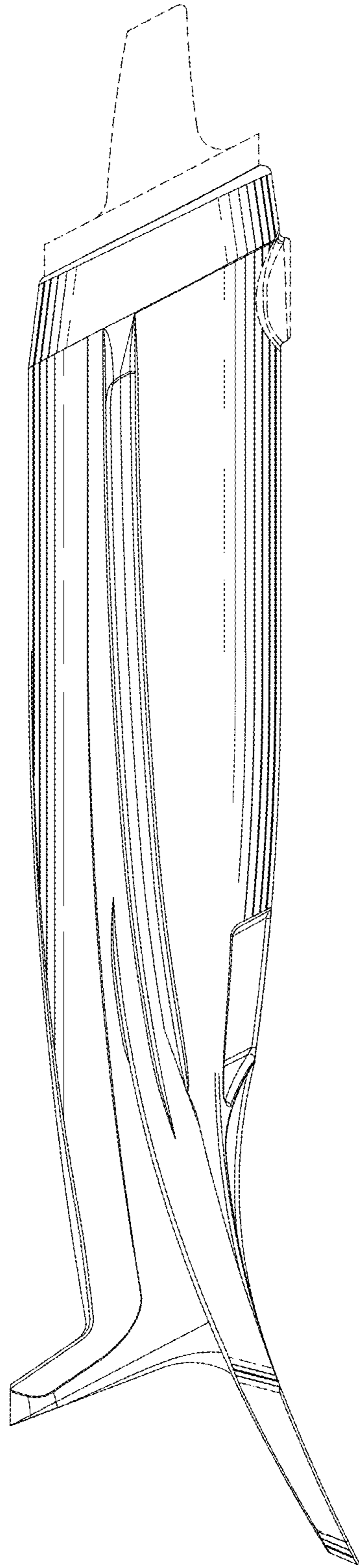


FIG. 5

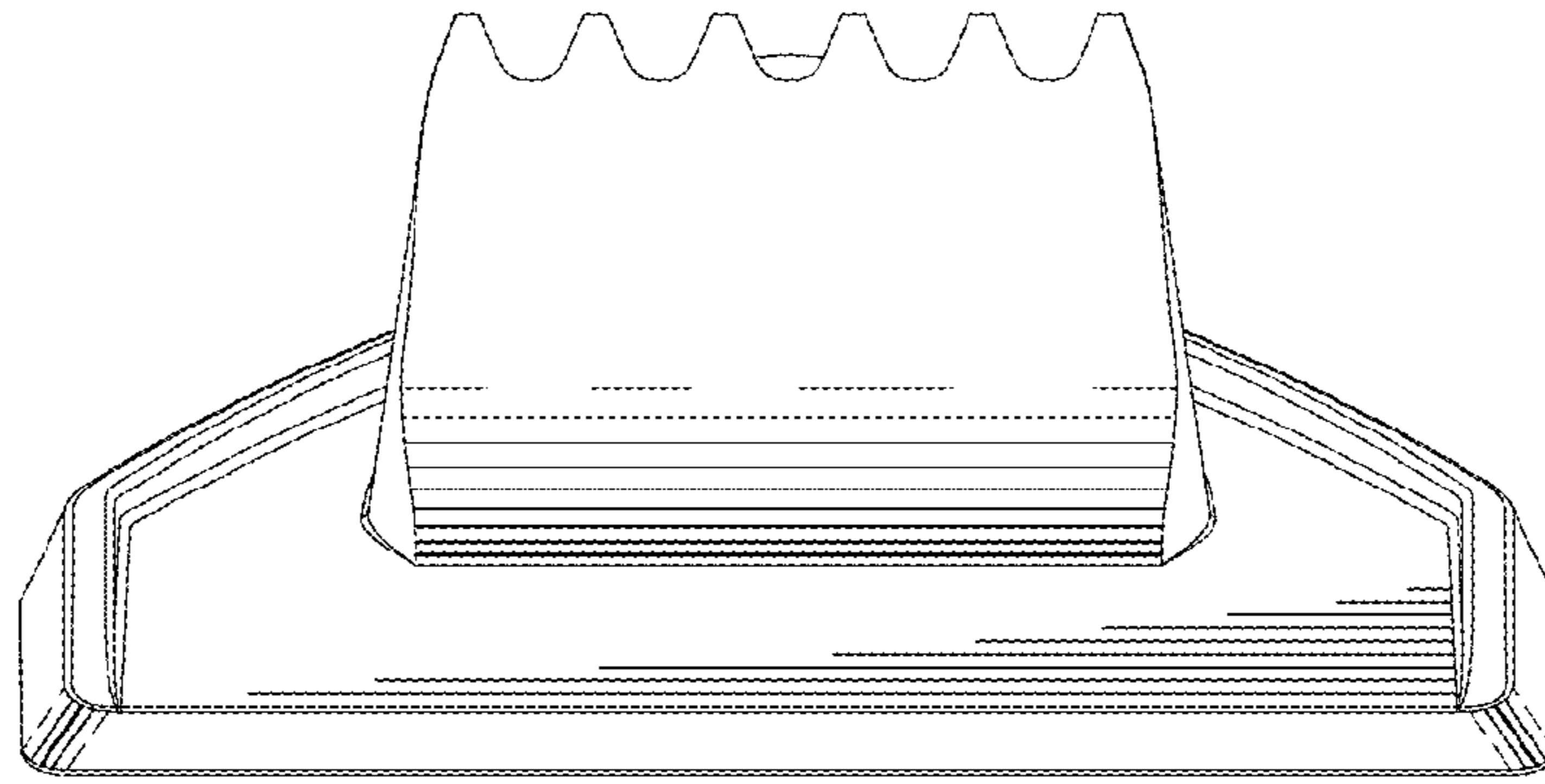


FIG-7

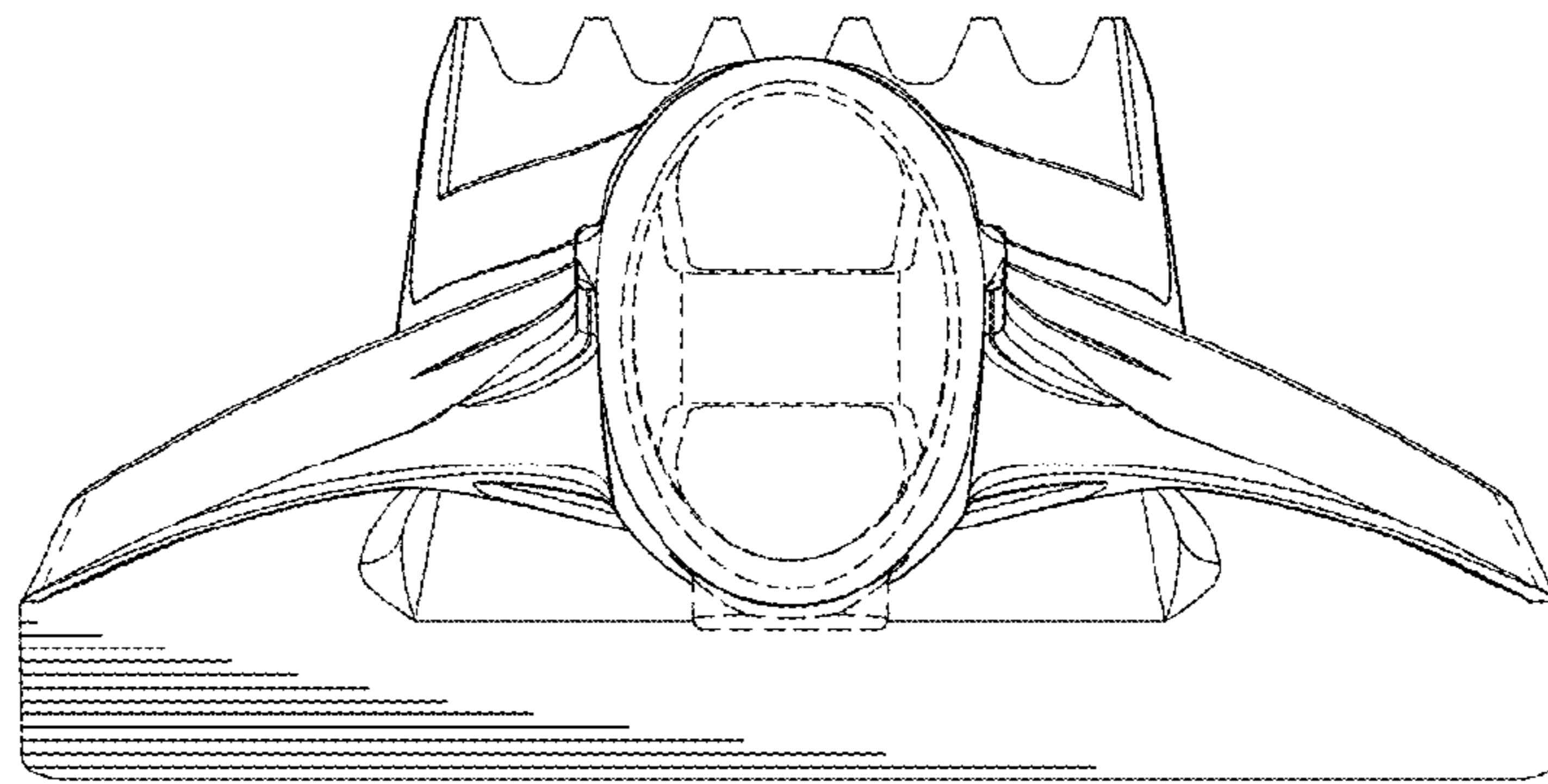


FIG-6