



US00D751780S

(12) **United States Design Patent**  
**Courtney et al.**

(10) **Patent No.:** **US D751,780 S**  
(45) **Date of Patent:** **\*\* Mar. 15, 2016**

(54) **PART OF A VACUUM CLEANER**  
(71) Applicant: **Dyson Technology Limited**, Wiltshire (GB)  
(72) Inventors: **Stephen Benjamin Courtney**, Bath (GB); **Peter David Gammack**, Swindon (GB); **Jonathan George Marsh**, Swindon (GB); **Donald James McIntosh**, Gloucester (GB); **Louis Peter Richard Garner**, Dorchester (GB); **Alexander Stuart Knox**, Swindon (GB); **Stephen Robert Dimbylow**, Swindon (GB); **Heidi Williamson**, Surrey (GB)

D563,615	S	*	3/2008	Roschi	.....	D32/32
D580,611	S	*	11/2008	Roschi	.....	D32/33
D599,515	S	*	9/2009	Davies	.....	D32/32
D635,315	S	*	3/2011	Wertz	.....	D32/32
D680,699	S	*	4/2013	Okabe	.....	D32/33
D686,379	S	*	7/2013	Kim	.....	D32/32
D698,510	S	*	1/2014	Chu	.....	D32/32
D712,104	S	*	8/2014	Stickney	.....	D32/32
D712,105	S	*	8/2014	Stickney	.....	D32/33
2012/0079678	A1	*	4/2012	Spinelli	.....	A47L 9/02 15/383
2012/0198644	A1	*	8/2012	Iles	.....	A47L 9/04 15/179
2013/0042429	A1	*	2/2013	Misumi	.....	A46B 13/006 15/415.1
2015/0033498	A1	*	2/2015	McVey	.....	A47L 9/0477 15/363

(73) Assignee: **Dyson Technology Limited**, Malmesbury, Wiltshire (GB)

(\*\*) Term: **14 Years**

(21) Appl. No.: **29/500,015**

(22) Filed: **Aug. 20, 2014**

(30) **Foreign Application Priority Data**

Feb. 21, 2014 (EM) ..... 002409656-0002

(51) **LOC (10) Cl.** ..... **15-05**

(52) **U.S. Cl.**  
USPC ..... **D32/33**

(58) **Field of Classification Search**  
USPC ..... D32/22, 31-34  
CPC ..... A47L 9/02; A47L 9/06; A47L 9/325;  
A47L 9/04; A47L 5/34; A47L 11/4044;  
A47L 7/0009  
See application file for complete search history.

(56) **References Cited**

**U.S. PATENT DOCUMENTS**

D456,103	S	*	4/2002	Shin	.....	D32/32
D507,854	S	*	7/2005	Kim	.....	D32/32

**FOREIGN PATENT DOCUMENTS**

RU 87656 1/2014

\* cited by examiner

*Primary Examiner* — Ruth McInroy

(74) *Attorney, Agent, or Firm* — Morrison & Foerster LLP

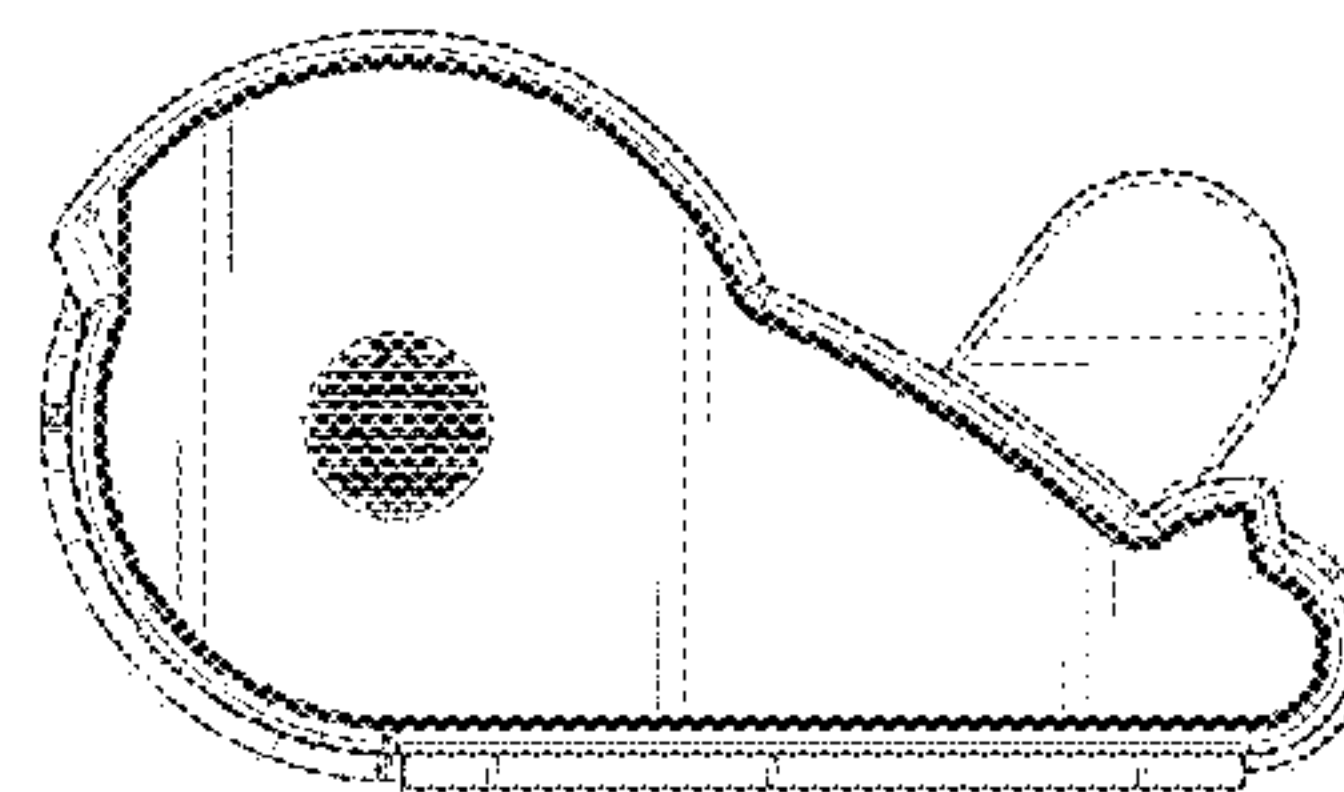
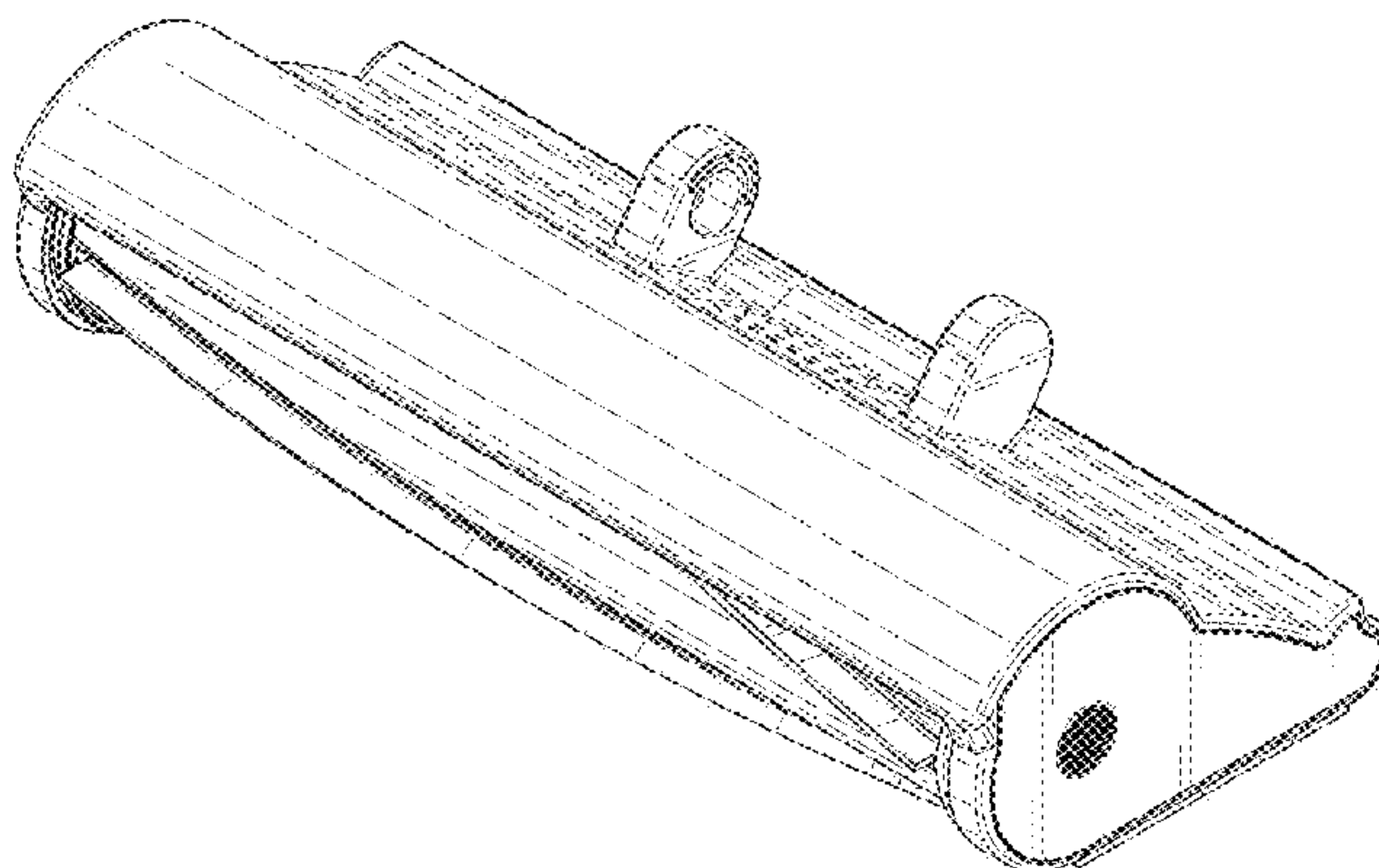
(57) **CLAIM**

We claim the ornamental design for a part of a vacuum cleaner, as shown and described.

**DESCRIPTION**

FIG. 1 is a perspective view of a part of a vacuum cleaner showing our new design;  
FIG. 2 is a front view thereof;  
FIG. 3 is a rear view thereof;  
FIG. 4 is a side view thereof;  
FIG. 5 is a side view of the opposite side of FIG. 4;  
FIG. 6 is a top view thereof; and,  
FIG. 7 is a bottom view thereof.  
The details shown in broken lines form no part of the claimed design.

**1 Claim, 7 Drawing Sheets**



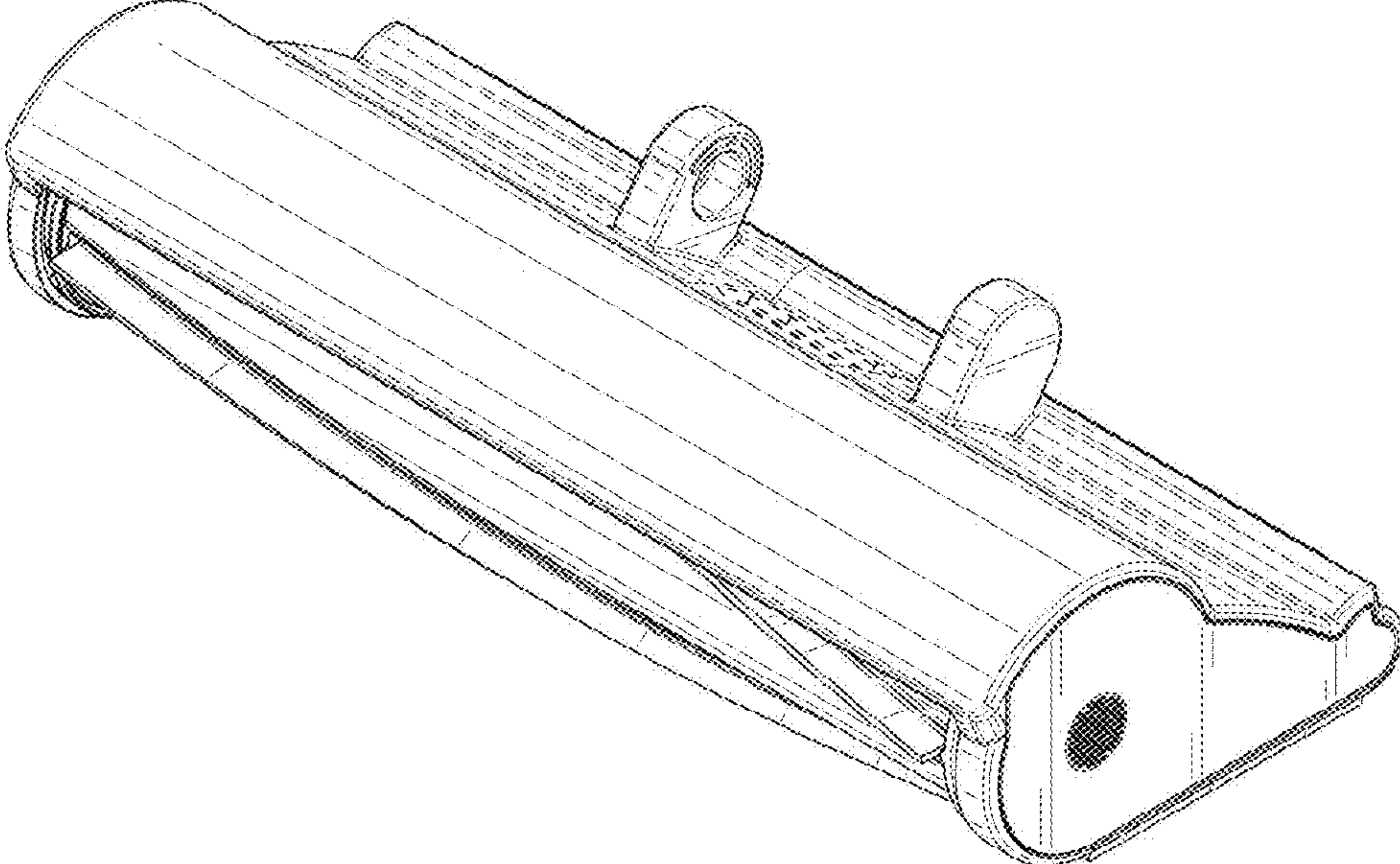


FIG. 1

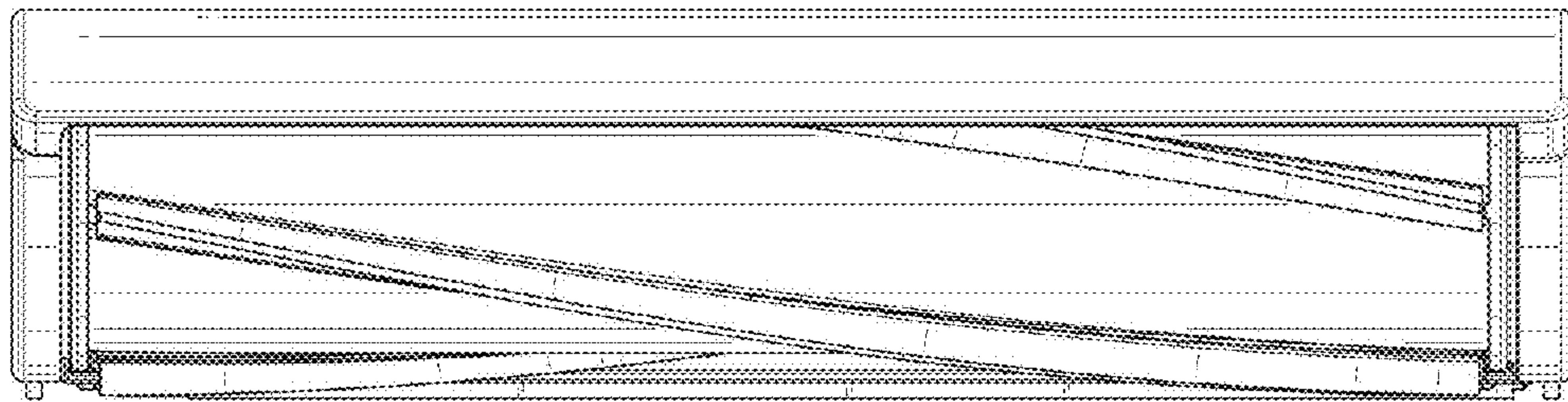


FIG. 2

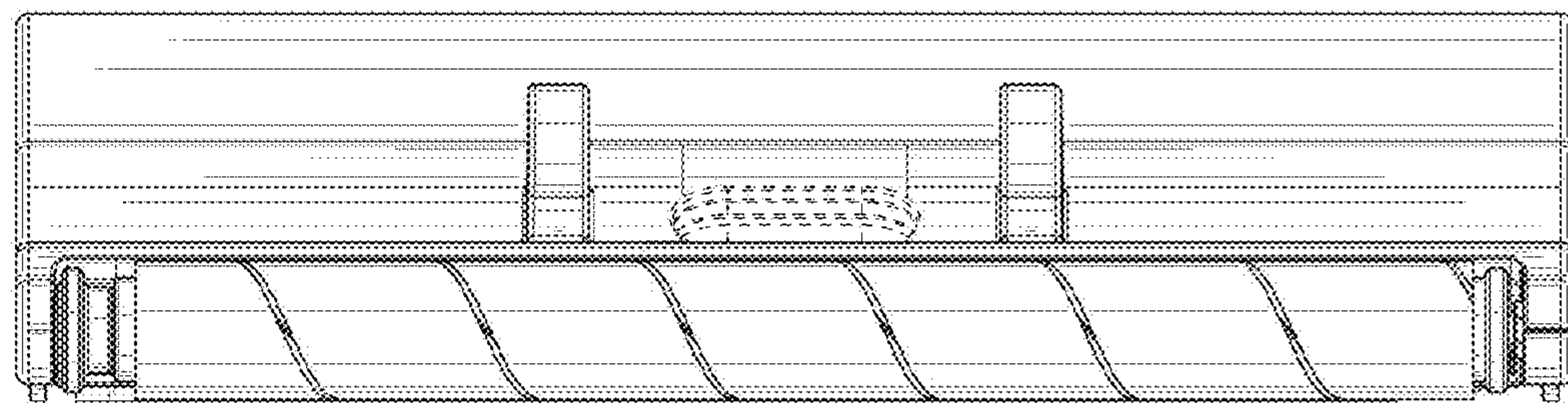


FIG. 3

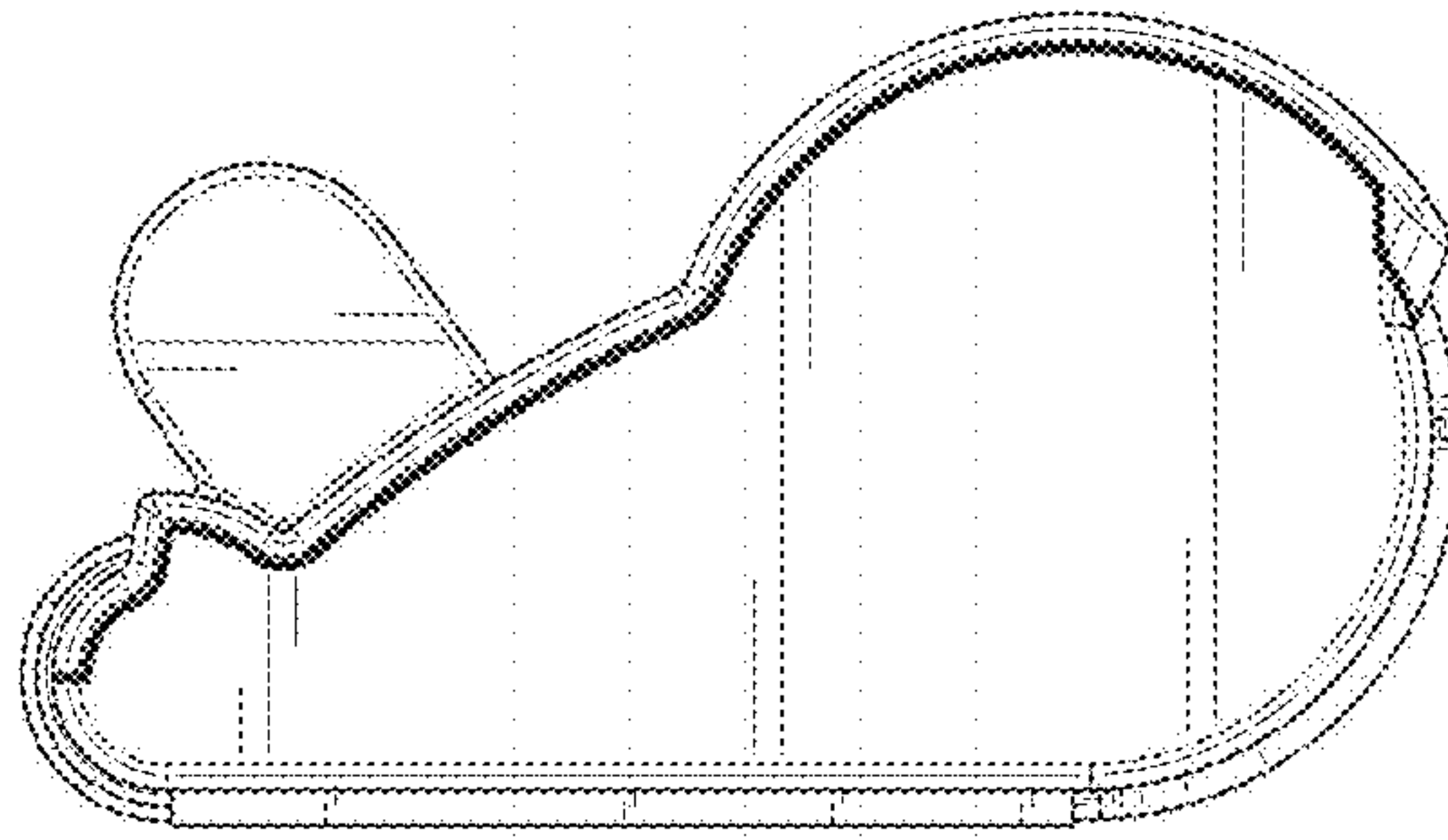


FIG. 4



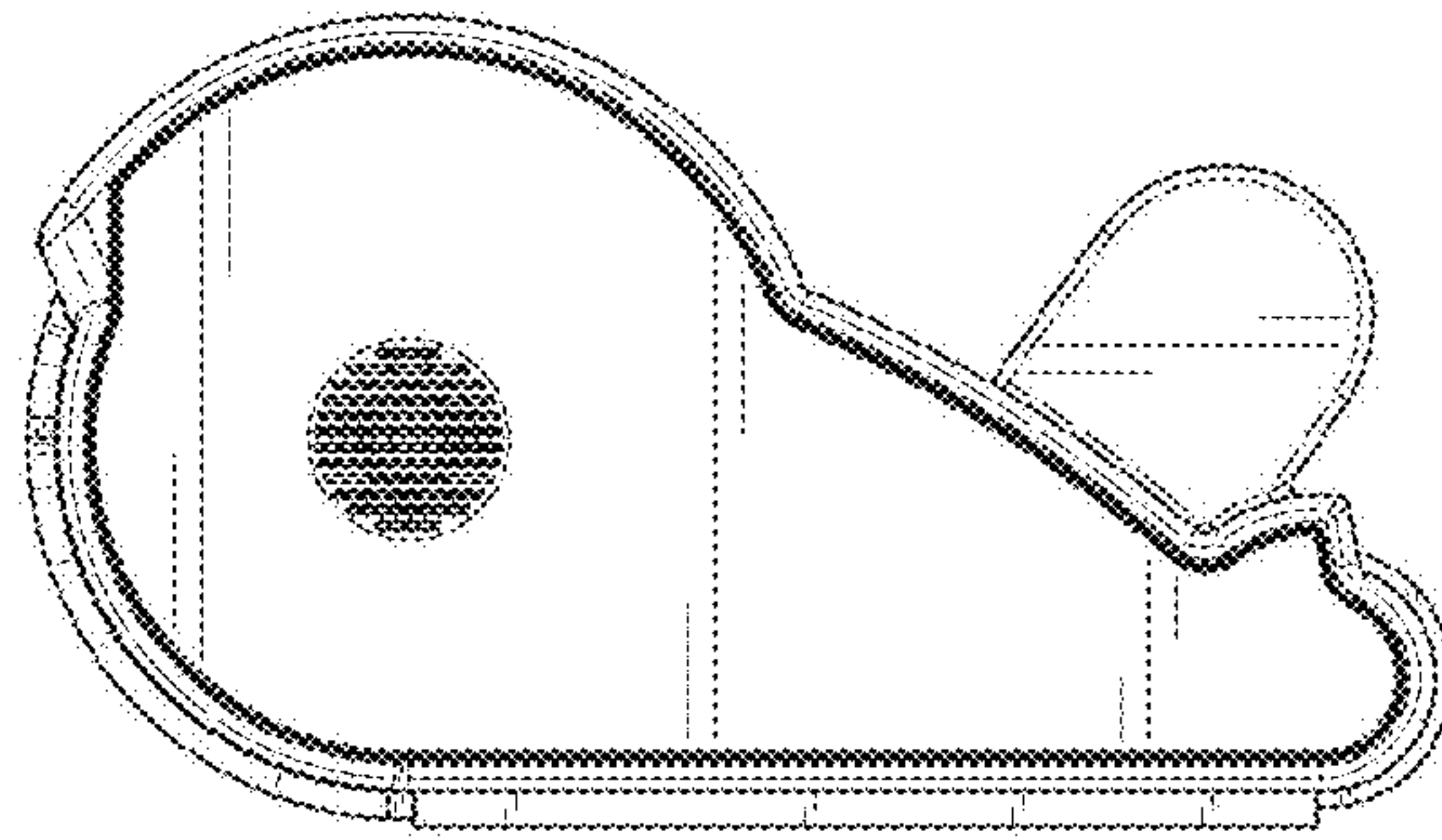


FIG. 5

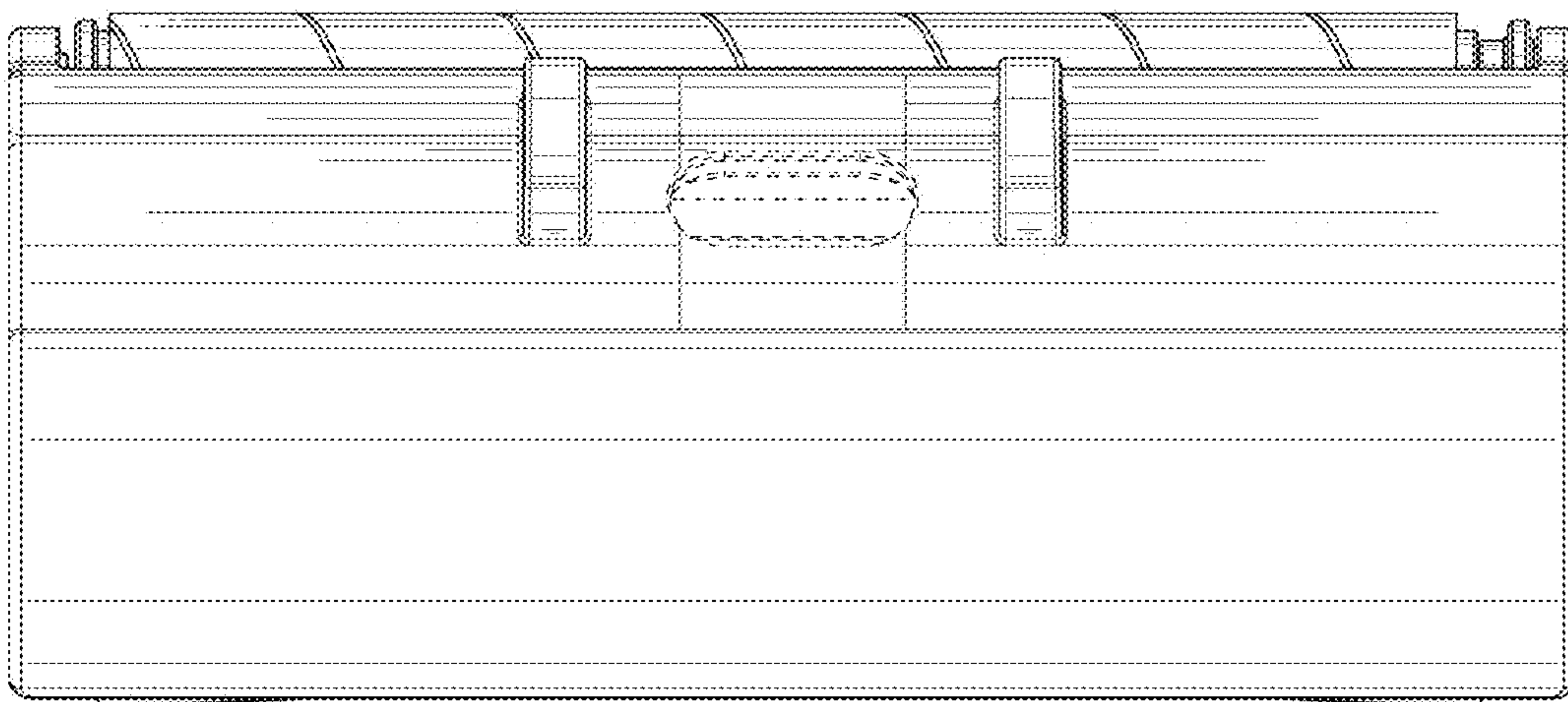


FIG. 6

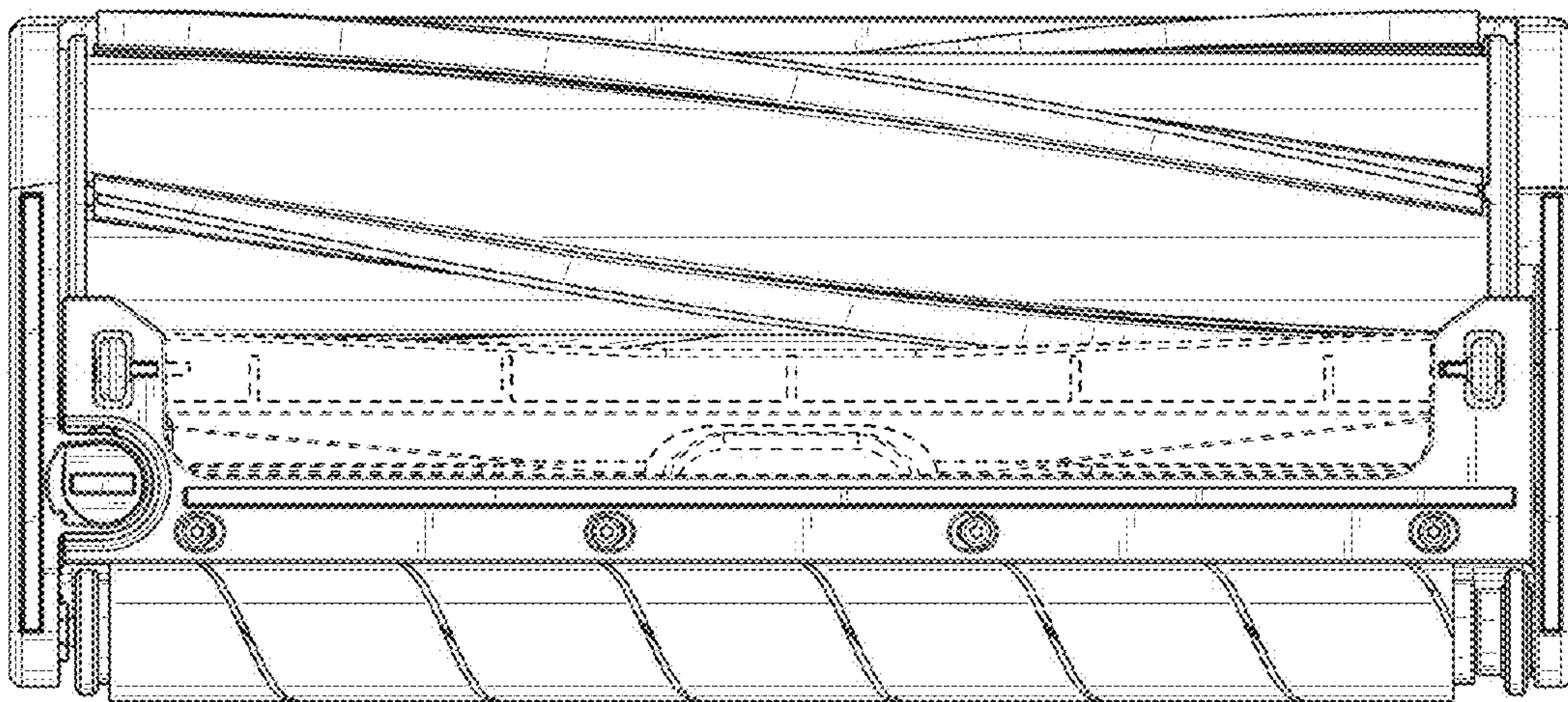


FIG. 7