



US00D751779S

(12) **United States Design Patent**
Smith et al.

(10) **Patent No.:** **US D751,779 S**
(45) **Date of Patent:** **** Mar. 15, 2016**

- (54) **VACUUM CLEANER BASE**
- (71) Applicant: **BISSELL Homecare, Inc.**, Grand Rapids, MI (US)
- (72) Inventors: **Mackenzie Leigh Smith**, Grand Rapids, MI (US); **Jing Yang**, Zhongshan (CN)
- (73) Assignee: **BISSELL Homecare, Inc.**, Grand Rapids, MI (US)
- (**) Term: **14 Years**
- (21) Appl. No.: **29/513,303**
- (22) Filed: **Dec. 30, 2014**
- (51) **LOC (10) Cl.** **15-05**
- (52) **U.S. Cl.**
USPC **D32/32**
- (58) **Field of Classification Search**
USPC D32/22, 31-34
CPC A47L 9/02; A47L 9/06; A47L 9/325;
A47L 9/04; A47L 5/34; A47L 11/4044;
A47L 7/0009
See application file for complete search history.

D506,586 S *	6/2005	Carr	D32/32
D508,153 S *	8/2005	Alford	D32/32
D515,757 S *	2/2006	Leyden	D32/32
D522,198 S *	5/2006	Coombs	D32/33
D541,498 S *	4/2007	Moine	D32/32
D544,663 S *	6/2007	Medema	D32/32
D553,314 S *	10/2007	Parr	D32/32
D564,157 S *	3/2008	Seon	D32/32
D571,066 S *	6/2008	Luebbering	D32/32
D593,266 S *	5/2009	Baek	D32/32
D597,267 S *	7/2009	Santiago	D32/32
D605,371 S *	12/2009	Baek	D32/32
D685,150 S *	6/2013	Raven	D32/32
D687,197 S *	7/2013	Santiago	D32/32
D687,198 S *	7/2013	Santiago	D32/32
D707,903 S *	6/2014	Raven	D32/32
D720,104 S *	12/2014	Santiago	D32/32
2014/0157543 A1 *	6/2014	Morphey	A47L 9/22 15/361

* cited by examiner

Primary Examiner — Ruth McInroy

(74) *Attorney, Agent, or Firm* — McGarry Bair PC

(57) **CLAIM**

The ornamental design for a vacuum cleaner base, as shown and described.

DESCRIPTION

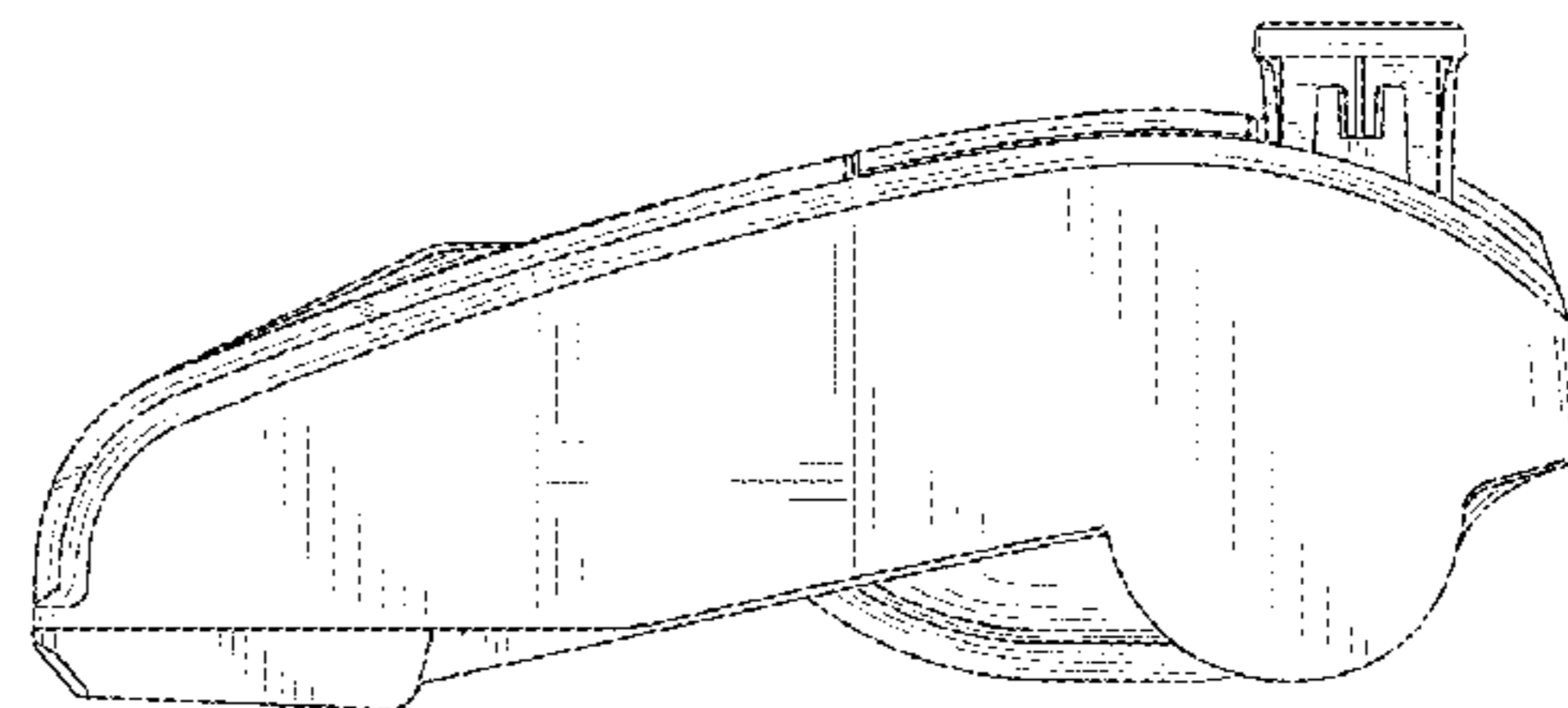
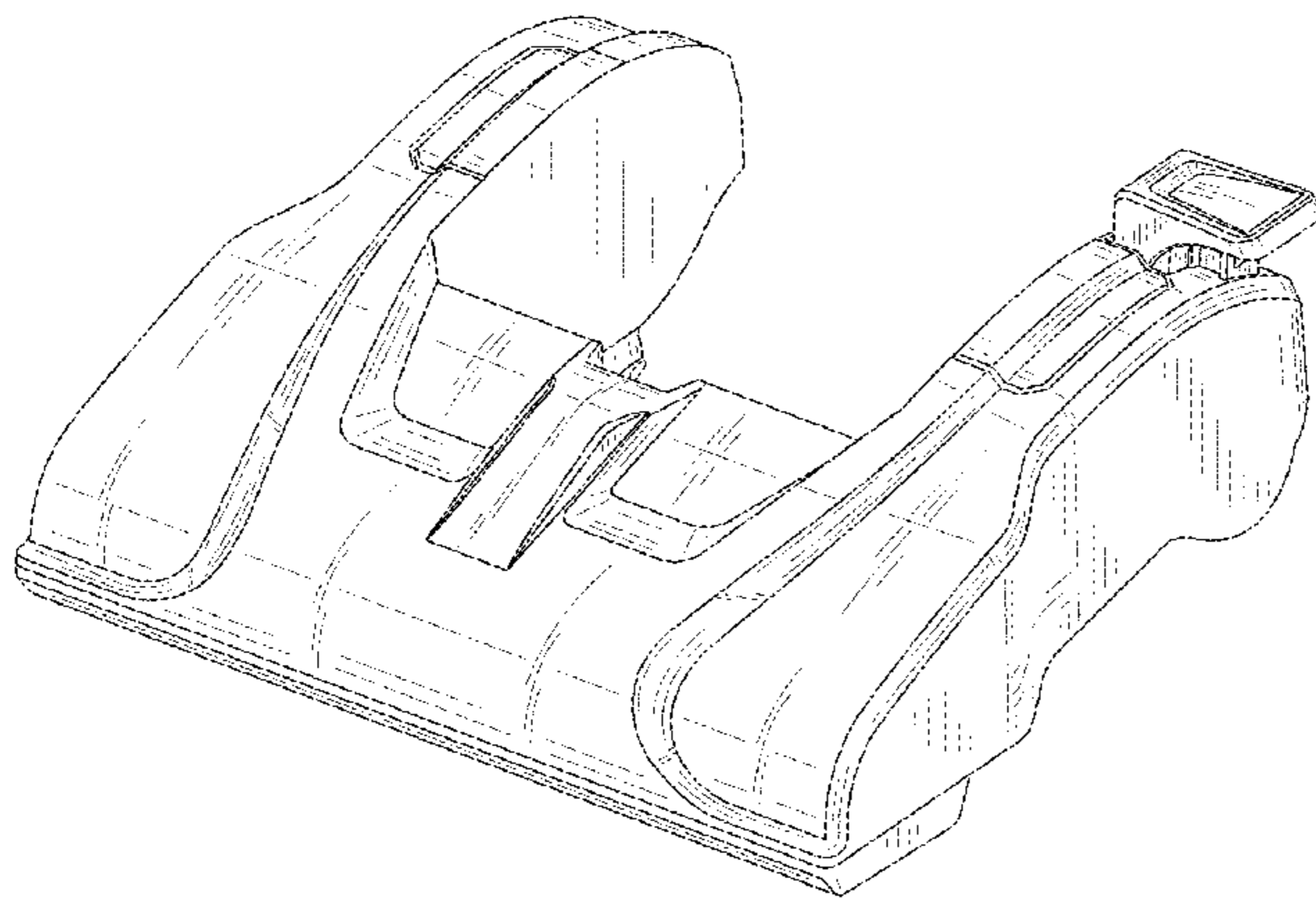
FIG. 1 is a front and right-side perspective view a vacuum cleaner base showing our new design; FIG. 2 is a front view thereof; FIG. 3 is a rear view thereof; FIG. 4 is a right side view thereof; FIG. 5 is a left side view thereof; and, FIG. 6 is a top view thereof.

1 Claim, 4 Drawing Sheets

(56) **References Cited**

U.S. PATENT DOCUMENTS

D411,669 S *	6/1999	Wareham	D32/32
D412,227 S *	7/1999	Wareham	D32/32
D427,399 S *	6/2000	Thur	D32/33
D439,383 S *	3/2001	Salo	D32/32
D475,823 S *	6/2003	Medema	D32/32
D487,602 S *	3/2004	Roberts	D32/32
D506,047 S *	6/2005	Alford	D32/32
D506,048 S *	6/2005	Downey	D32/32



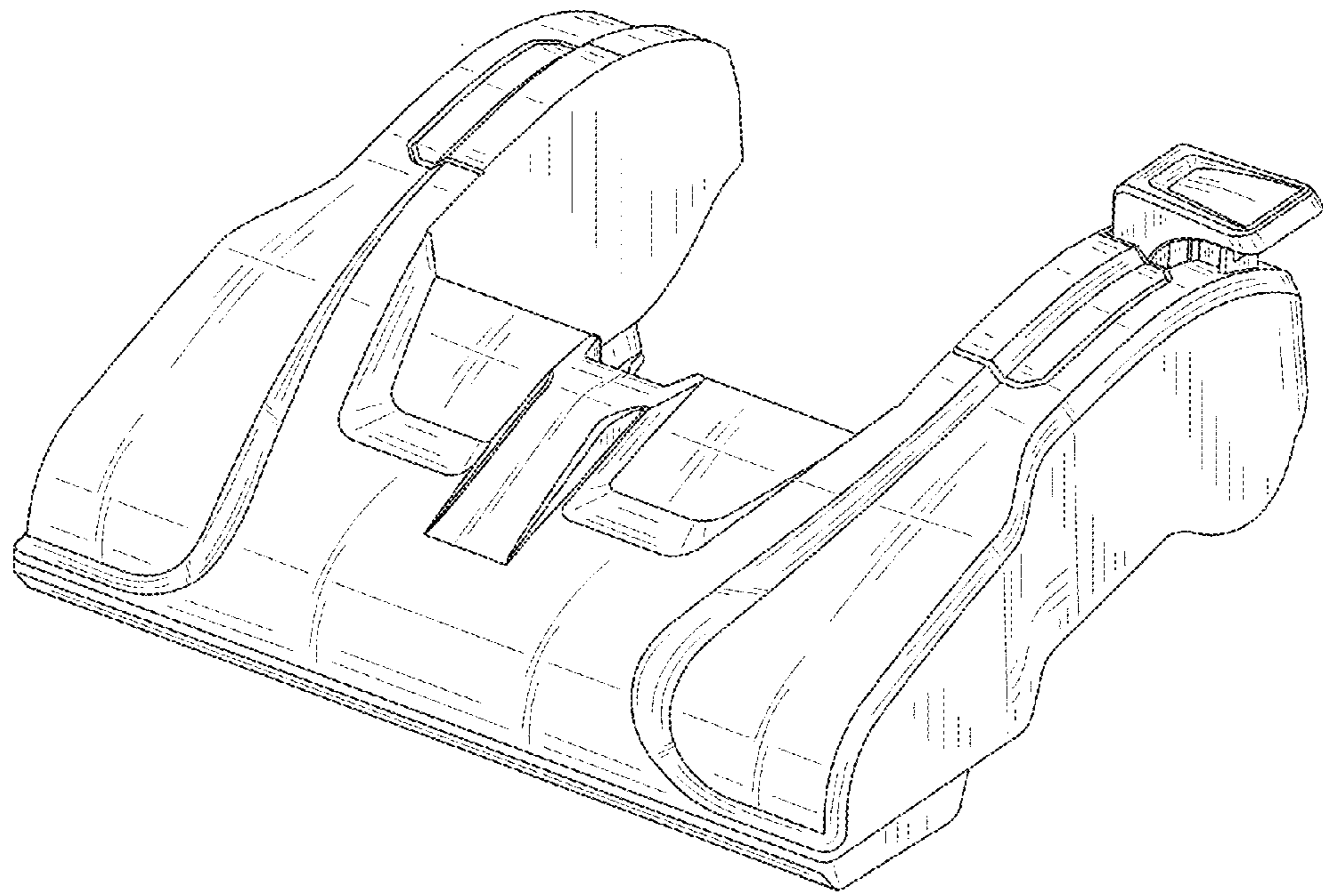


FIG. 1

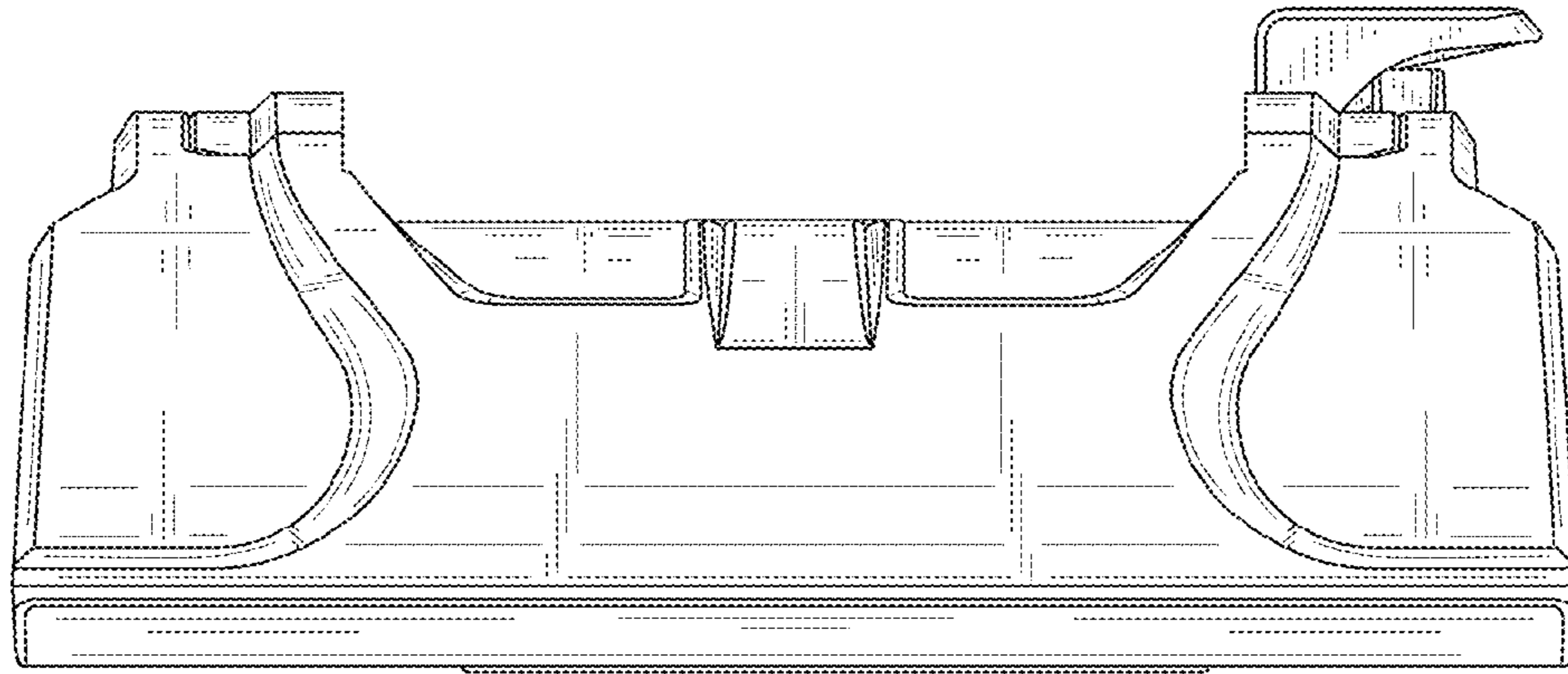


FIG. 2

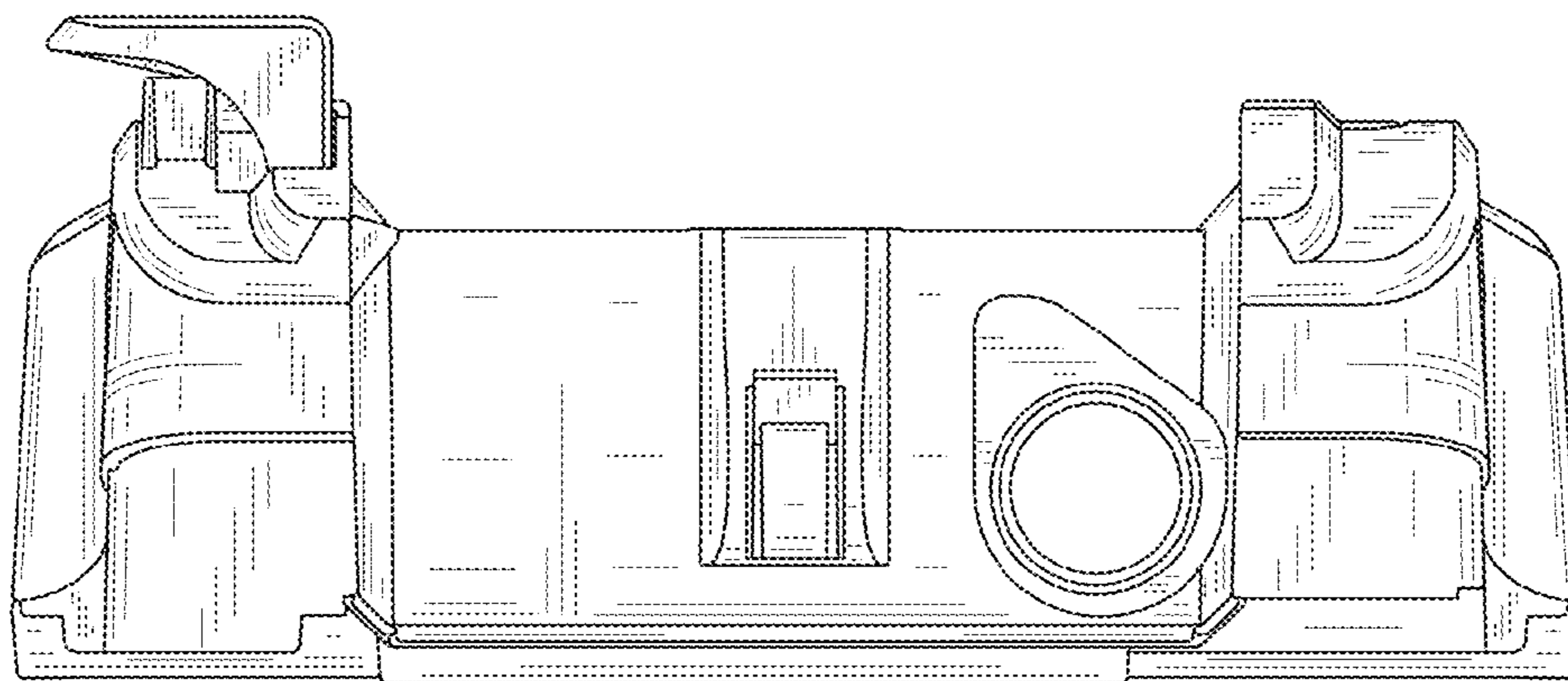


FIG. 3

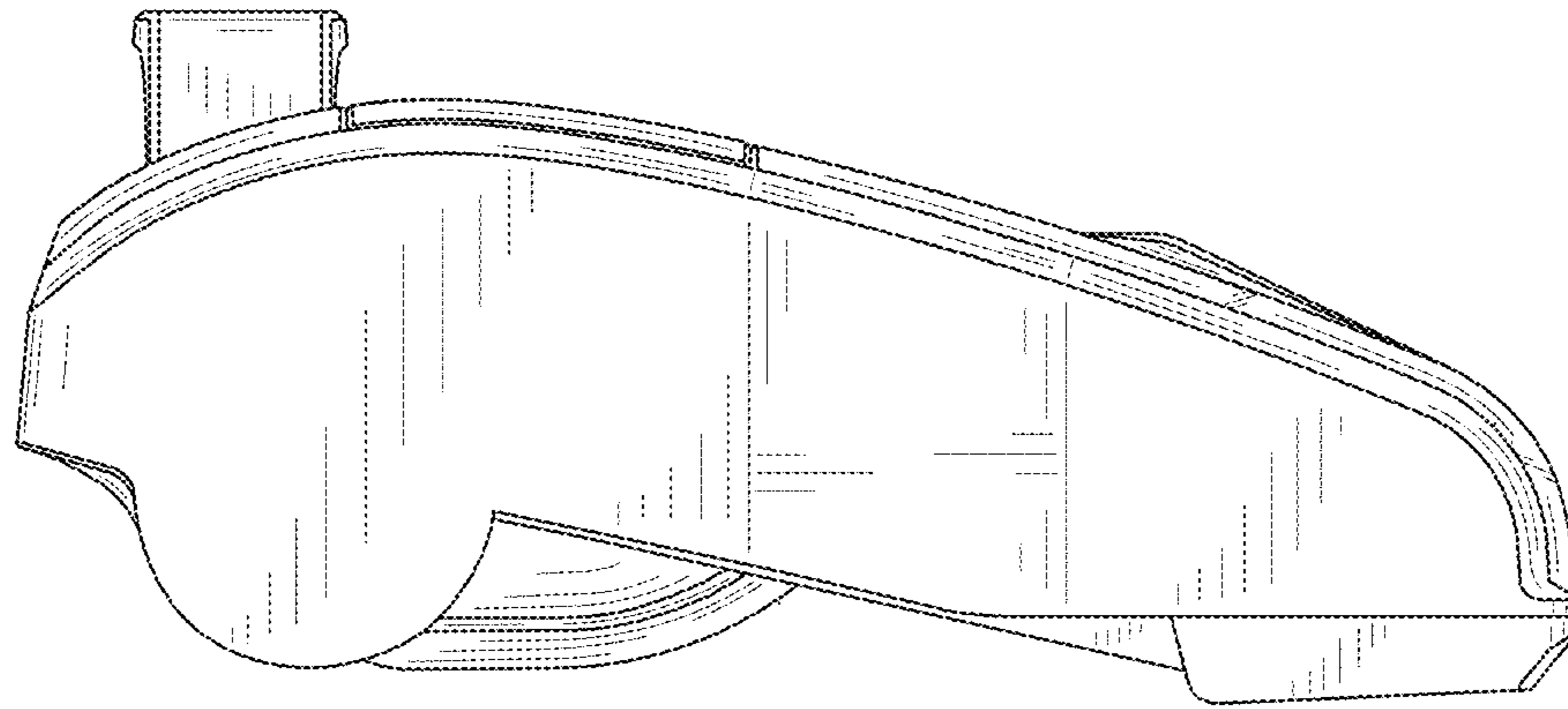


FIG. 4

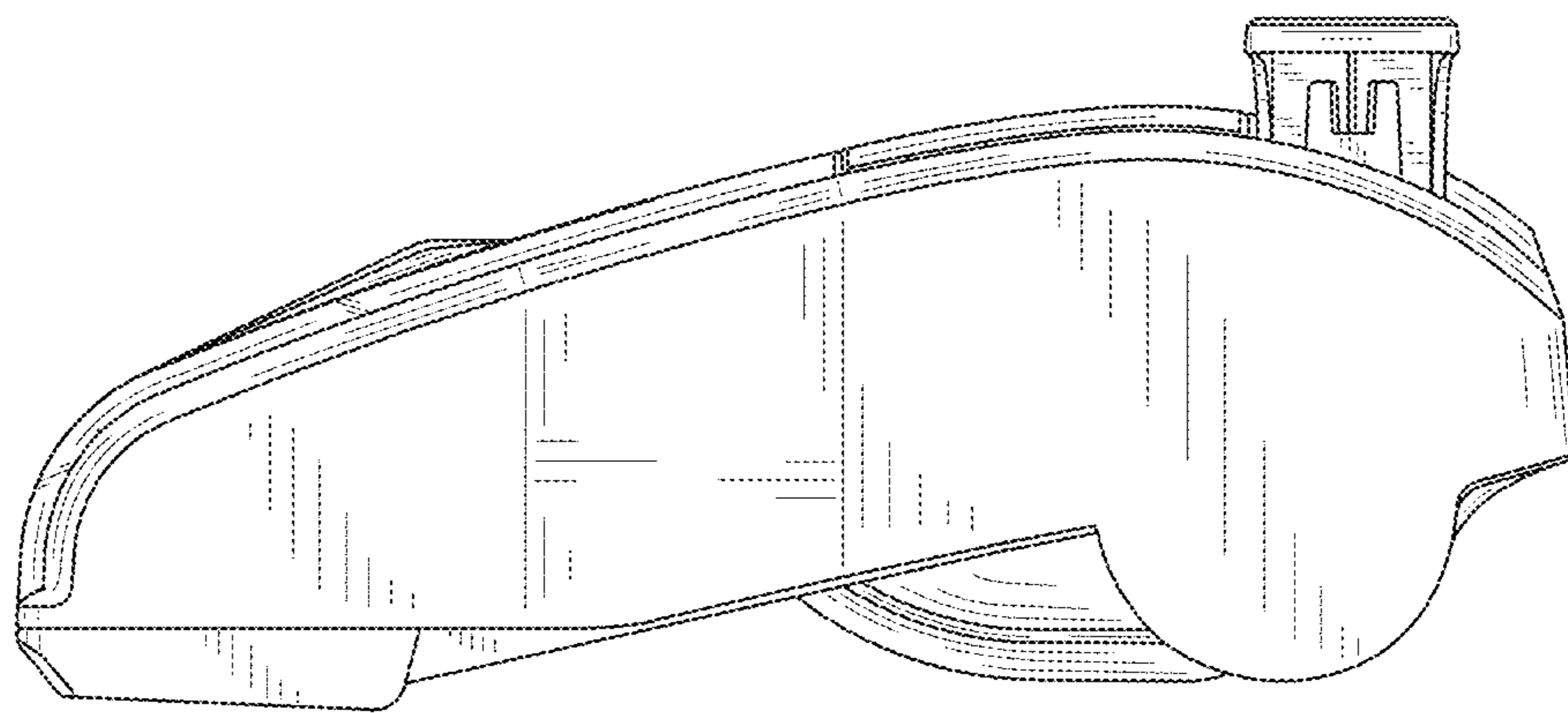


FIG. 5

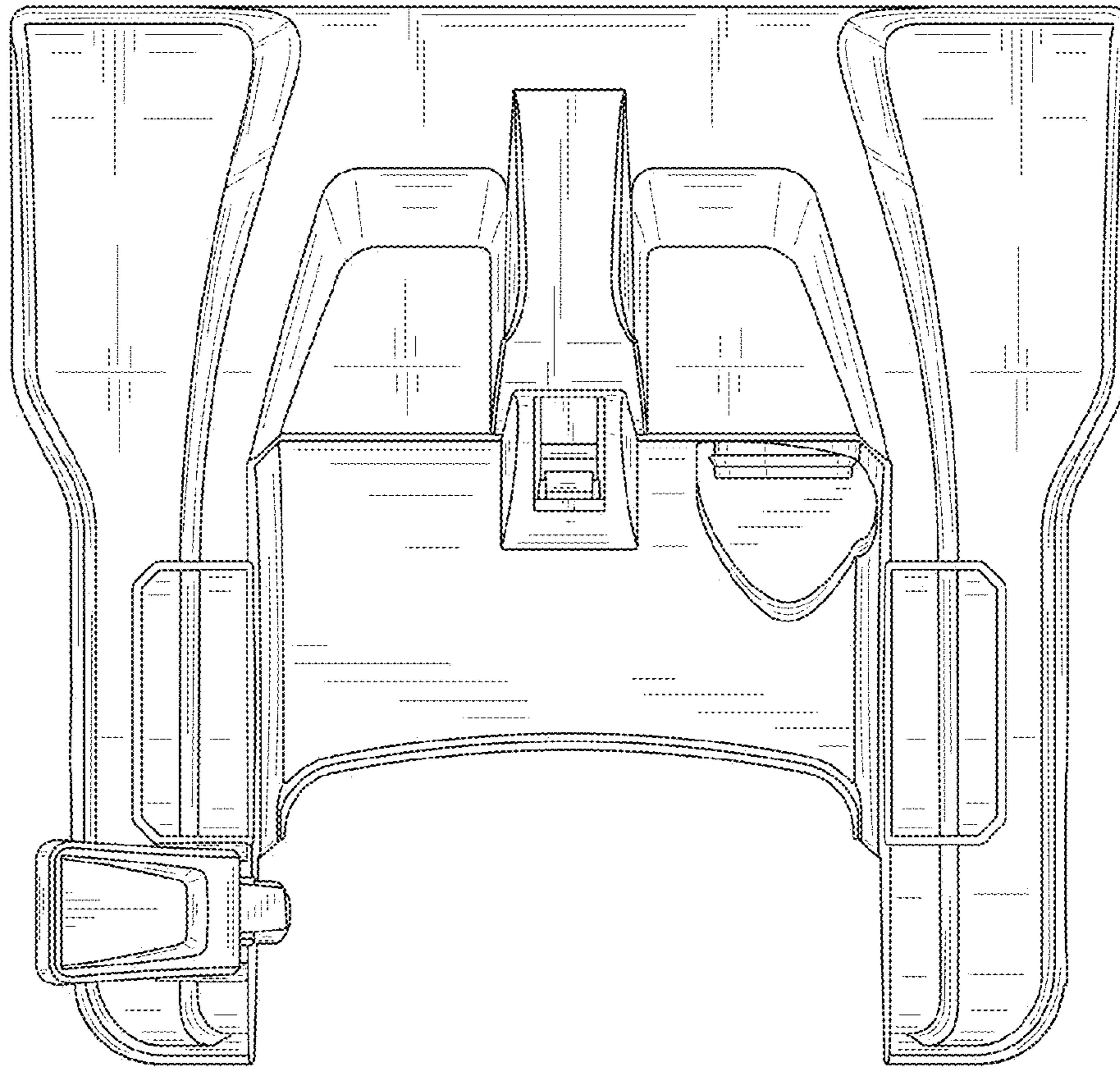


FIG. 6