



US00D751778S

(12) **United States Design Patent**  
**Yun et al.**

(10) **Patent No.:** **US D751,778 S**  
(45) **Date of Patent:** **\*\* Mar. 15, 2016**

(54) **HOME APPLIANCE**

(71) Applicant: **Samsung Electronics Co., Ltd.**,  
Suwon-si (KR)

(72) Inventors: **Deok-Sang Yun**, Ahnsan-Si (KR);  
**Yeon-Young Nam**, Goyang-Si (KR);  
**Dong-Won Chun**, Paju-Si (KR)

(73) Assignee: **Samsung Electronics Co., Ltd.**,  
Suwon-si (KR)

(\*\*) Term: **14 Years**

(21) Appl. No.: **29/513,817**

(22) Filed: **Jan. 6, 2015**

**Related U.S. Application Data**

(63) Continuation of application No. 29/480,243, filed on  
Jan. 24, 2014, now Pat. No. Des. 723,754.

**Foreign Application Priority Data**

Oct. 22, 2013 (KR) ..... 30-2013-0053209

(51) **LOC (10) Cl.** ..... **15-05**

(52) **U.S. Cl.**  
USPC ..... **D32/31**

(58) **Field of Classification Search**  
USPC ..... D32/21, 23-24, 31  
CPC ..... A47L 5/362; A47L 5/365; A47L 5/28;  
A47L 9/26; A47L 11/34; A47L 7/0038;  
B65H 75/18  
See application file for complete search history.

(56) **References Cited**

**U.S. PATENT DOCUMENTS**

D445,226 S \* 7/2001 Jupp ..... D32/21  
D550,910 S 9/2007 Shin

D551,403 S	9/2007	Shin	
D552,310 S	10/2007	Shin	
D552,811 S	10/2007	Shin	
D553,311 S	10/2007	Shin	
D553,812 S	10/2007	Shin	
D554,308 S	10/2007	Shin	
D565,813 S	4/2008	Shin	
D709,253 S *	7/2014	Lim et al.	D32/21
D713,611 S *	9/2014	Yun et al.	D32/31
D714,001 S *	9/2014	Yun et al.	D32/21
D718,504 S *	11/2014	Carter et al.	D32/21
D723,754 S *	3/2015	Yun et al.	D32/21
D724,281 S *	3/2015	Irfan et al.	D32/21
D724,799 S *	3/2015	Yun et al.	D32/21
D724,800 S *	3/2015	Irfan et al.	D32/21
D724,801 S *	3/2015	Yoon et al.	D32/21
D725,331 S *	3/2015	Springell et al.	D32/21
D725,333 S *	3/2015	Yun et al.	D32/31
2015/0121645 A1 *	5/2015	Irfan	15/300.1

\* cited by examiner

*Primary Examiner* — Ruth McInroy

(74) *Attorney, Agent, or Firm* — NSIP Law

(57) **CLAIM**

We claim the ornamental design for a home appliance, as shown and described.

**DESCRIPTION**

FIG. 1 is a front perspective view of a home appliance showing our new design;  
FIG. 2 is a front view thereof;  
FIG. 3 is a rear view thereof;  
FIG. 4 is a left-side view thereof;  
FIG. 5 is a right-side view thereof;  
FIG. 6 is a top view thereof; and  
FIG. 7 is a bottom view thereof.

The dot-dash broken lines in the figures represent an unclaimed boundary line, while the dash-dash broken lines are directed to environment and are for illustrative purposes only; the broken lines form no part of the claimed design.

**1 Claim, 7 Drawing Sheets**

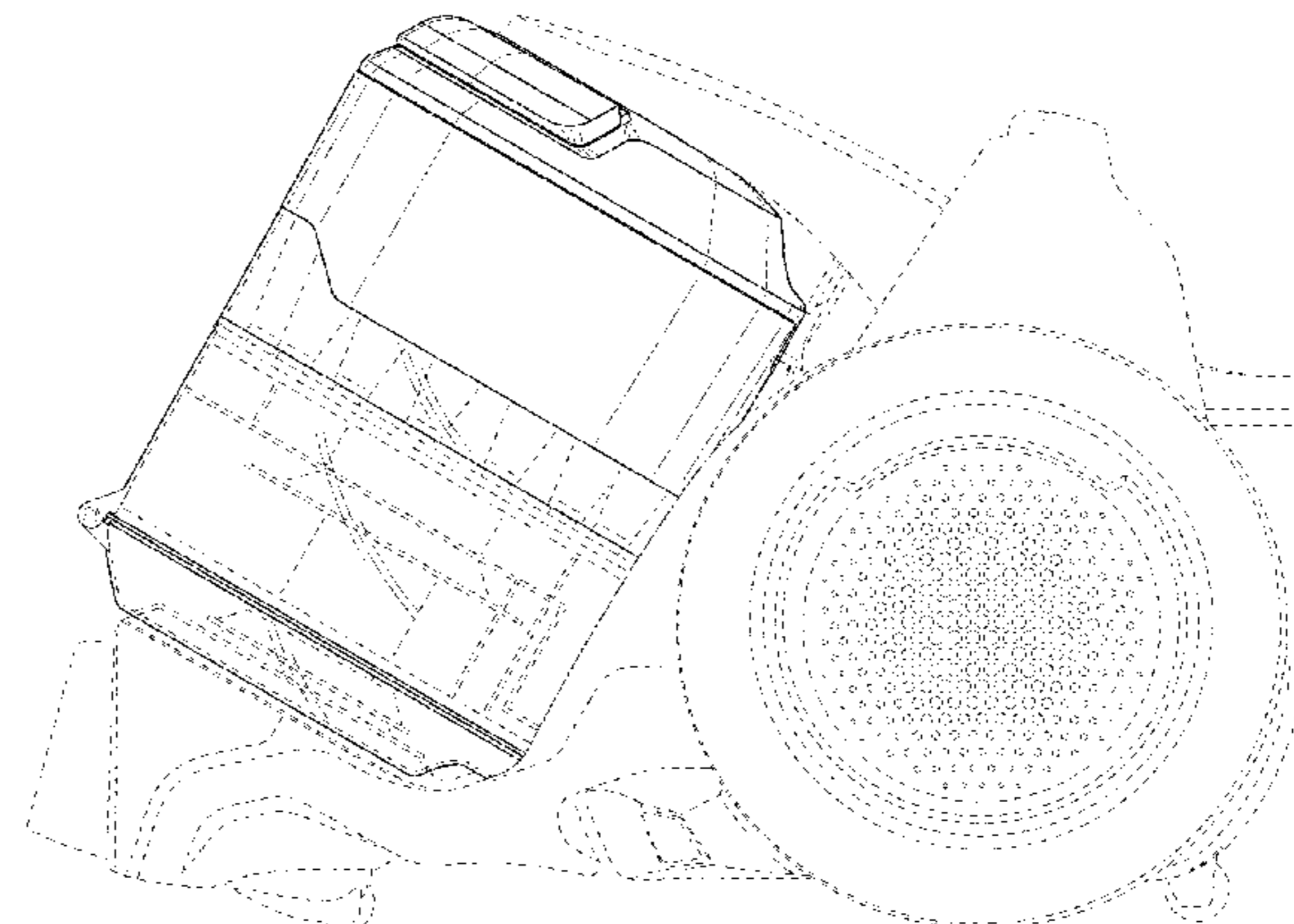
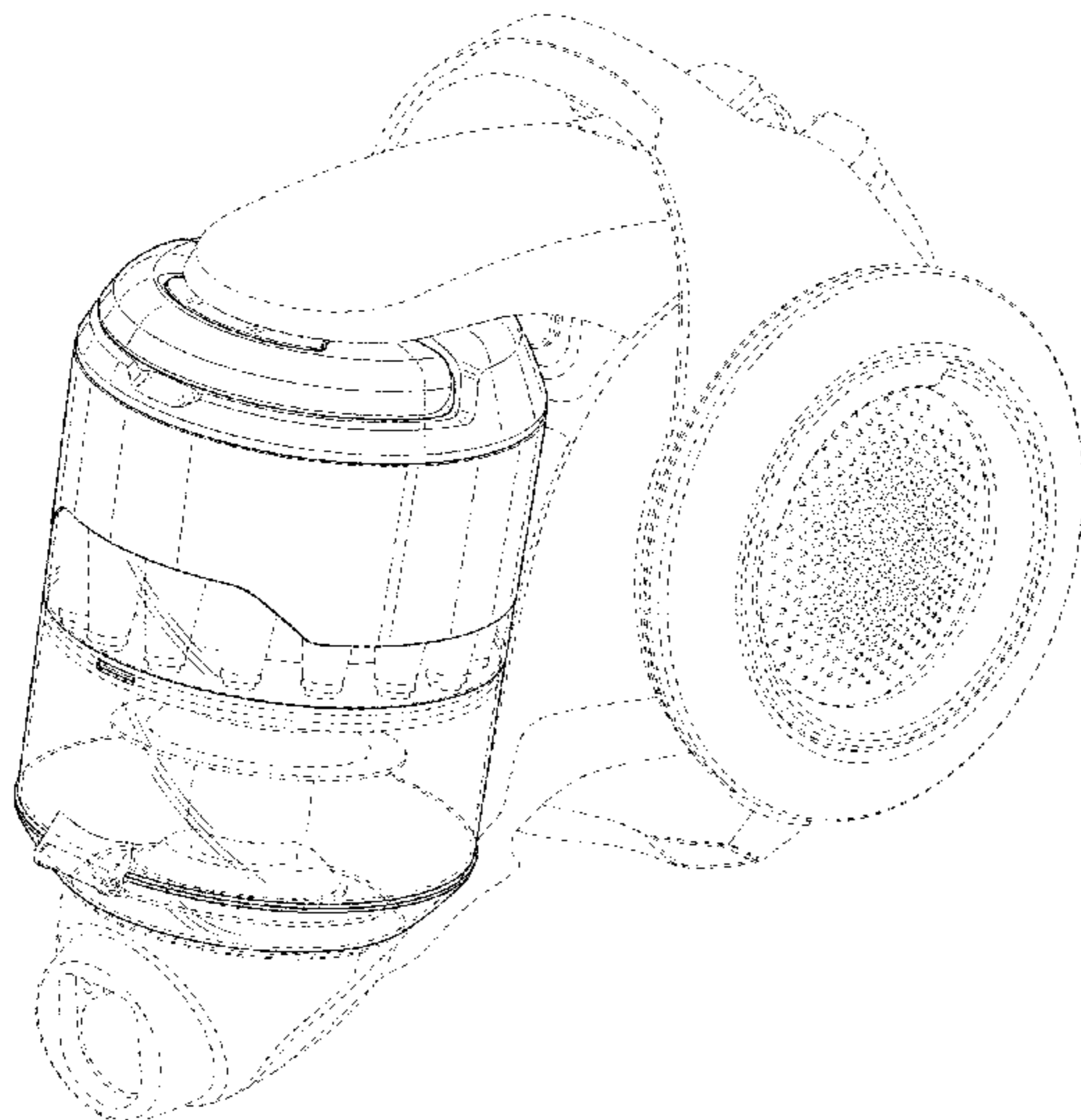


FIG. 1

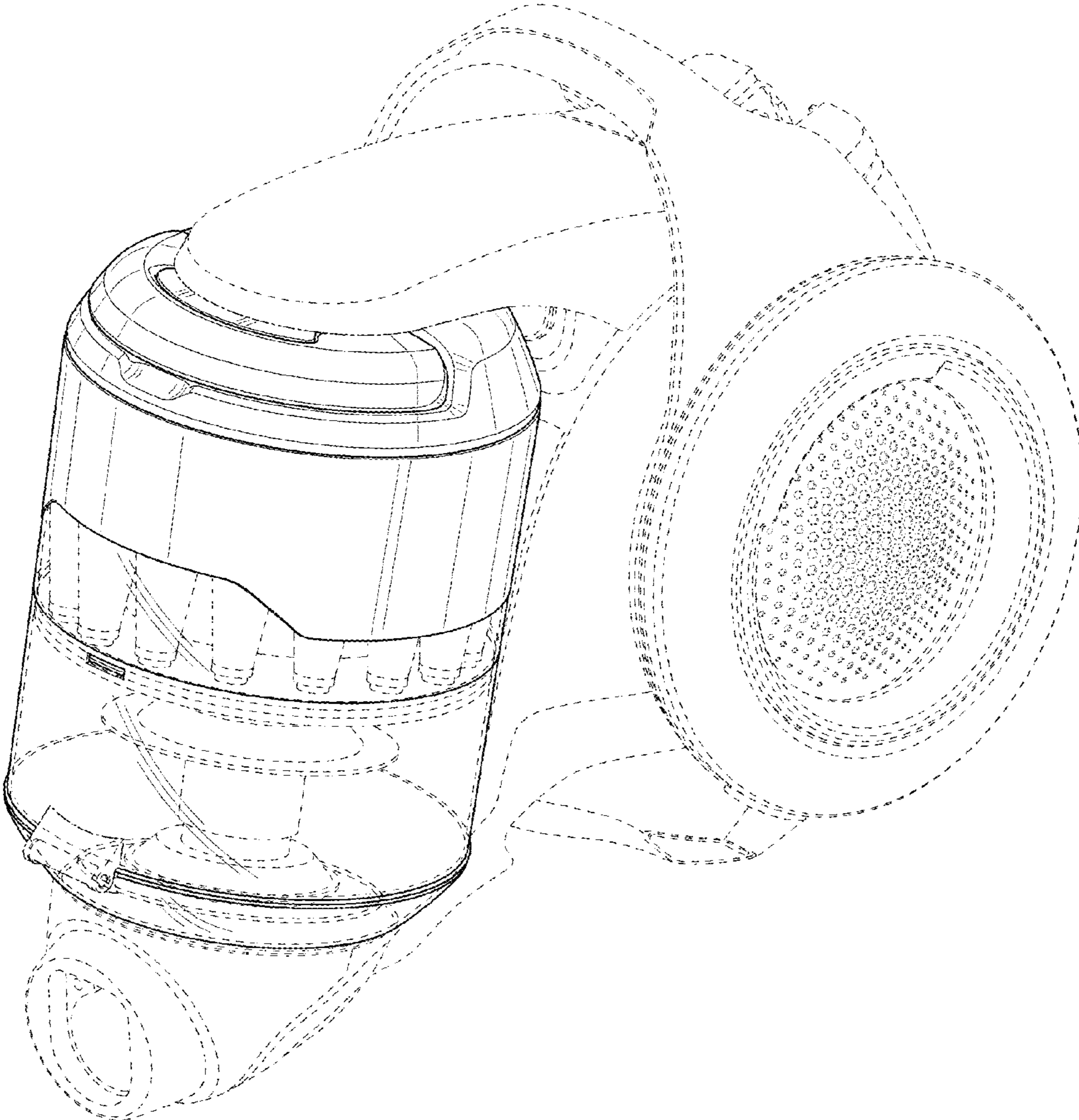


FIG. 2

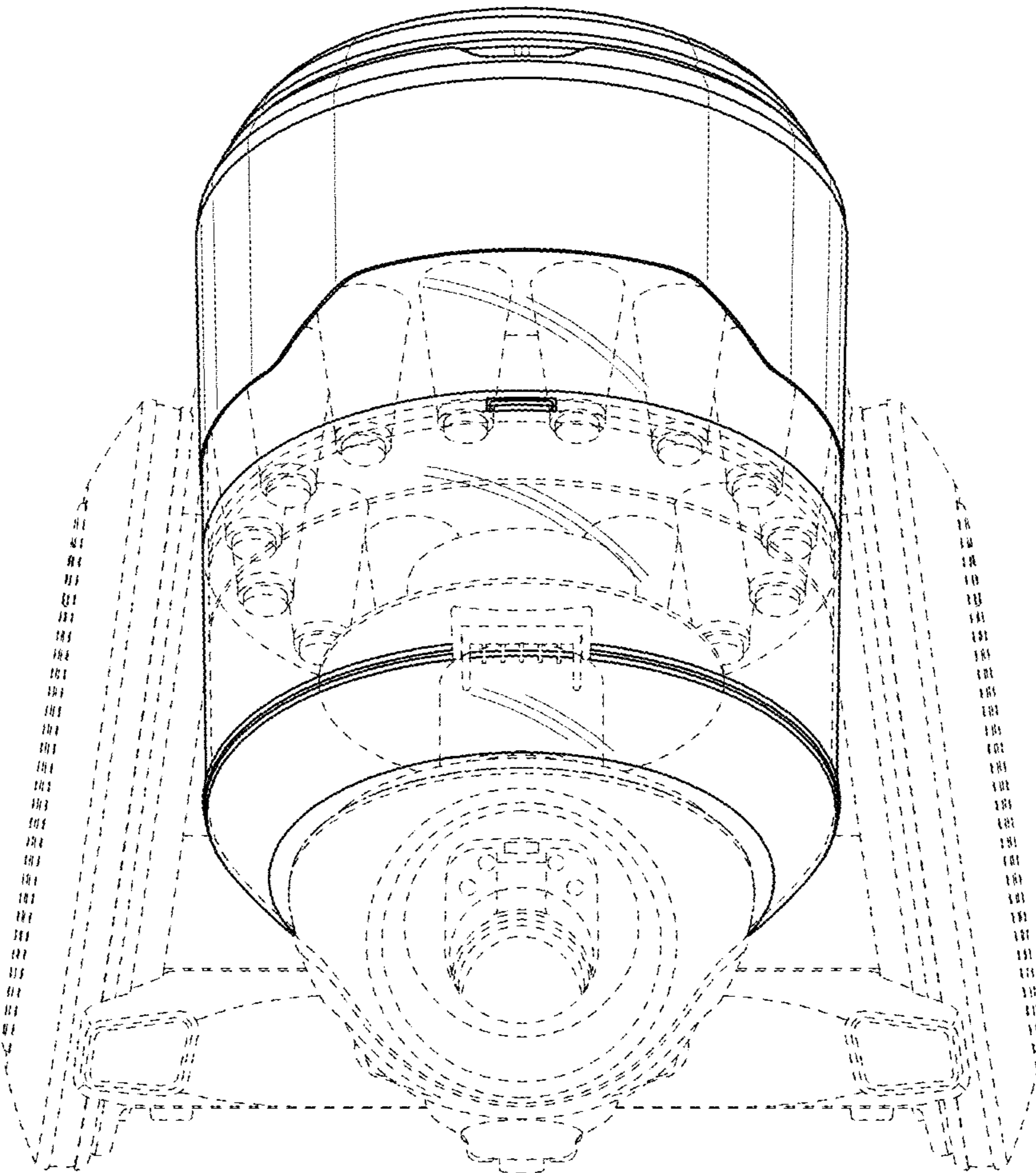




FIG. 3

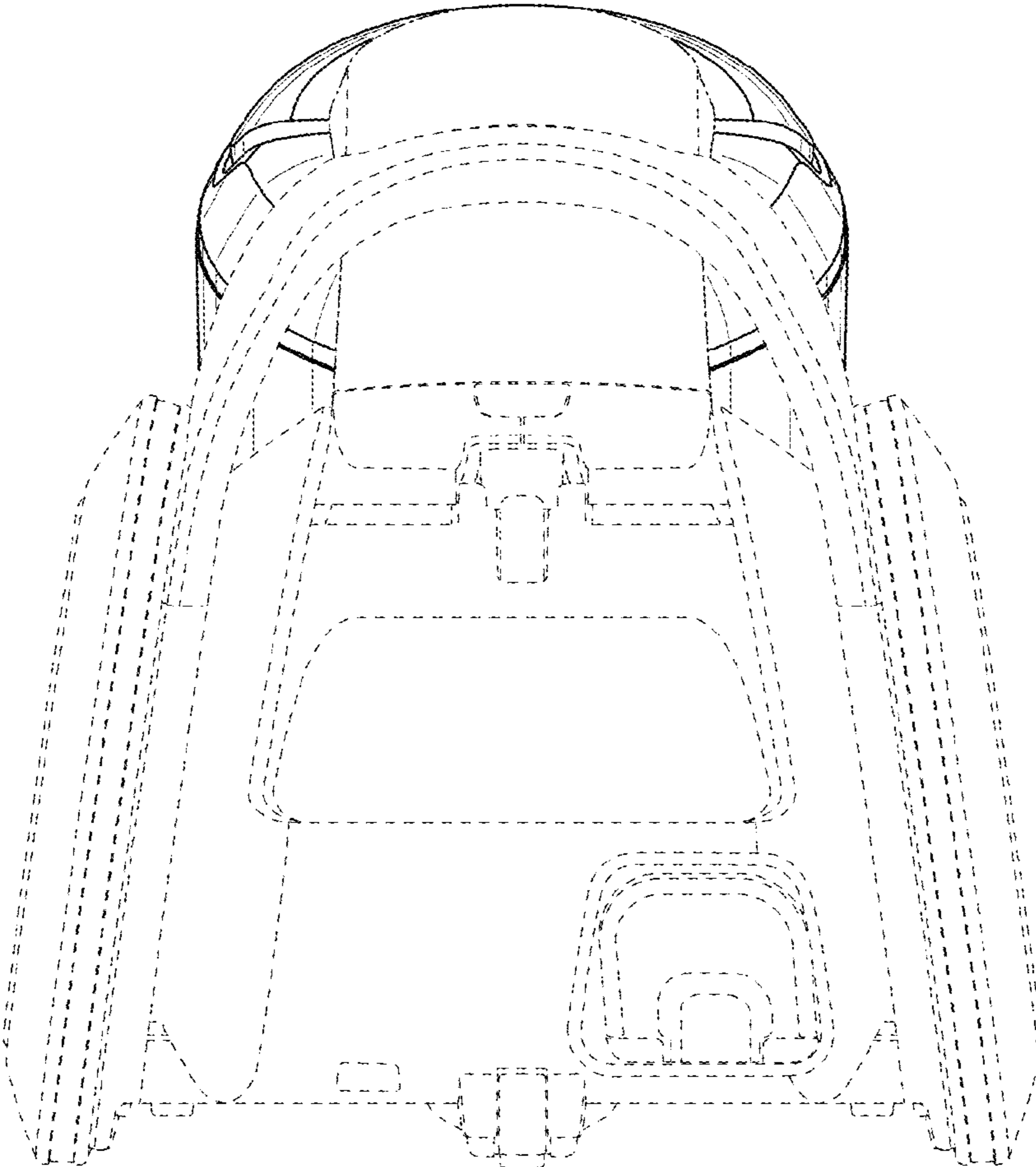


FIG. 4

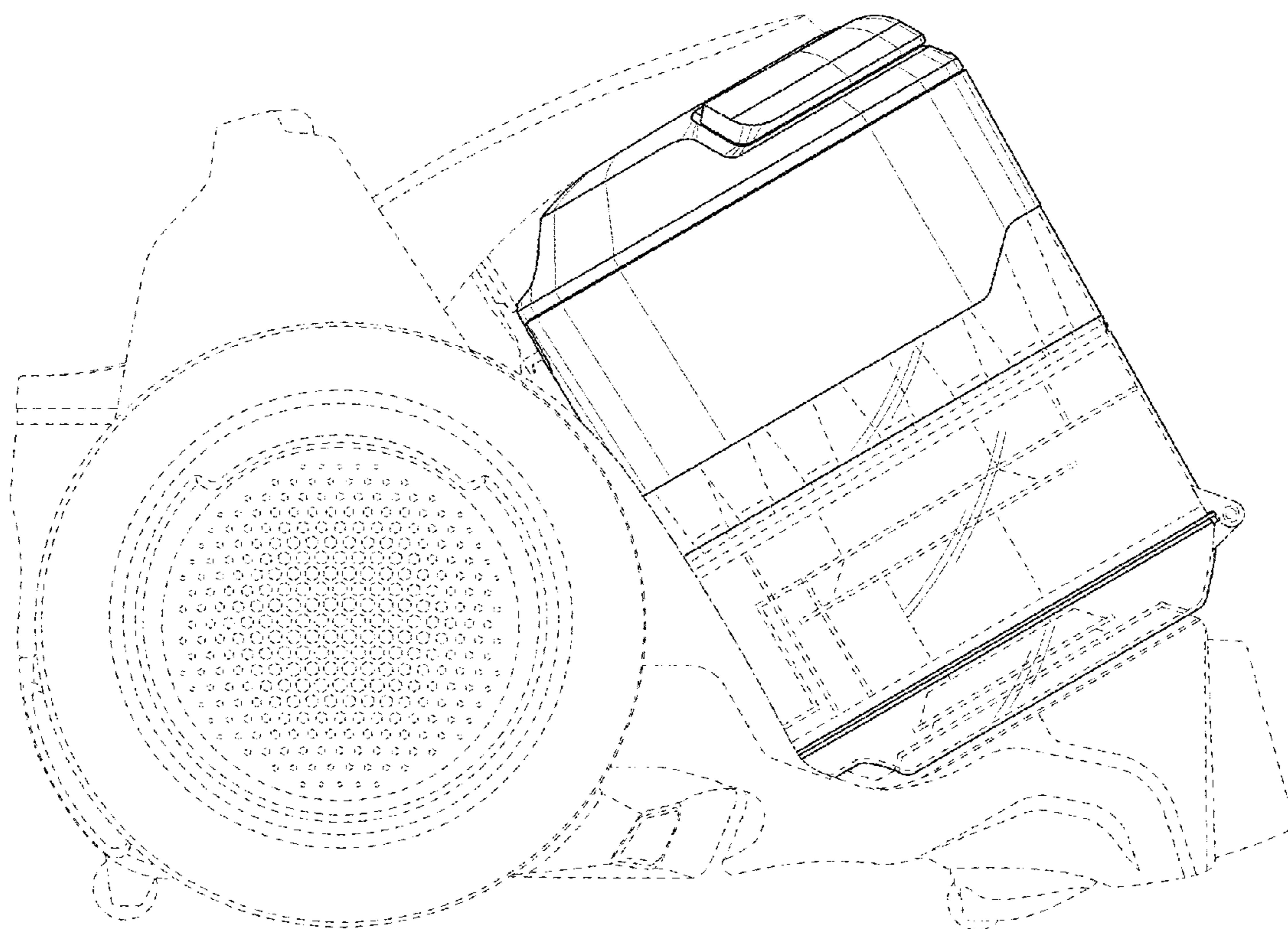


FIG. 5

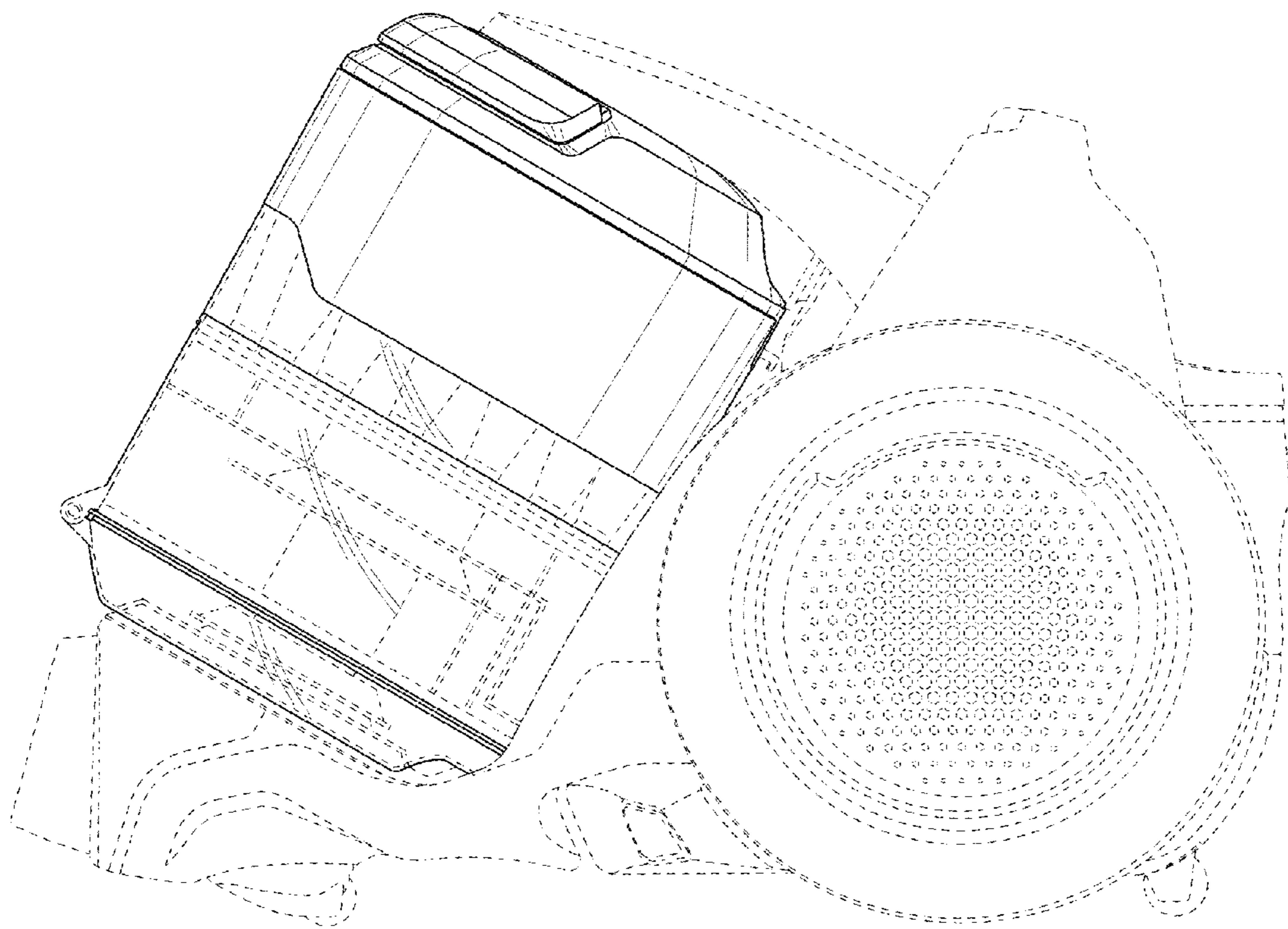


FIG. 6

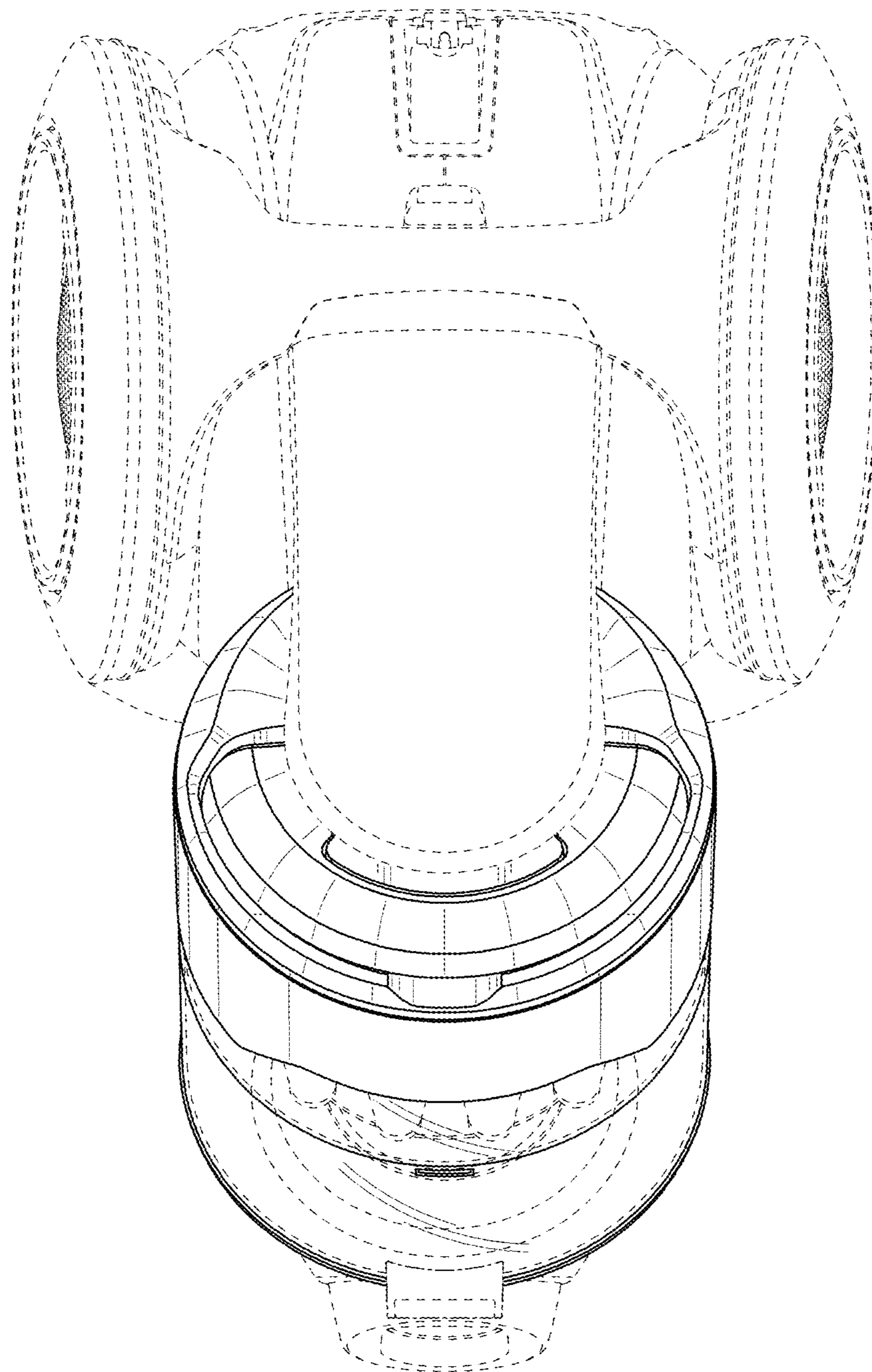




FIG. 7

